



US00D391971S

United States Patent [19] Dorsey

[11] Patent Number: **Des. 391,971**
[45] Date of Patent: ****Mar. 10, 1998**

- [54] **REFRIGERATED MILK DISPENSER**
- [75] Inventor: **Steven T. Dorsey**, Collegetownship, Minn.
- [73] Assignee: **Stevens-Lee Company**, Plymouth, Minn.
- [**] Term: **14 Years**
- [21] Appl. No.: **54,553**
- [22] Filed: **May 17, 1996**
- [51] LOC (6) Cl. **15-07**
- [52] U.S. Cl. **D15/79; D7/308**
- [58] Field of Search **D15/79, 88; D7/300, D7/307, 308; 222/185.1, 129.1-129.4, 105; 62/389, 390**

[56] References Cited

U.S. PATENT DOCUMENTS

D. 178,846	9/1956	Norris	D15/88
D. 233,271	10/1974	Holcomb	D7/308
D. 256,020	7/1980	Swanson	D7/308
D. 346,088	4/1994	Schroeder	D7/307
2,831,610	4/1958	Dennie	222/105
3,139,219	6/1964	Gran	62/390
3,285,474	11/1966	Gran	62/390
3,638,834	2/1972	Goodrich et al.	222/105
3,908,864	9/1975	Capper	222/105
3,940,018	2/1976	Scholle	222/185
4,690,307	9/1987	Hogan	222/95
5,344,048	9/1994	Bonerb	222/105

OTHER PUBLICATIONS

- "Silver King Refrigerated Milk Dispensers—Royal Special Series," Silver King, Division of Stevens Lee Company, Form #2186, 1986, 2 pp.
- "Silver King Presents The New UK Line of Refrigerated Milk Dispensers," Silver King Division of Stevens Lee Company, Form SK/UK, 4 pp. (published prior to May 17, 1996).
- "Nor-Lake Presents . . . Fineline Milk Dispensers," Nor-Lake Inc., Form MD85, 4 pp. (published prior to May 17, 1996).

- "Savings You Can See," Parish Manufacturing, Inc., 4 pp. (published prior to May 17, 1996).
- "Silver King Refrigerated Milk Dispensers/Imperial Series," Silver King, a Division of Stevens Lee Company, Form #2286, 1989 Jan. 1996, 4 pp.
- "Silver King Refrigerated Milk Dispensers/Compact Series," Silver King, a Division of Stevens Lee Company, Form #2386, 1986, 2 pp.
- "Silver King Milk Dispenser Accessories," Silver King, a Division of Stevens Lee Company, Form 2486, 2 pp. (published prior to May 17, 1996).
- "Norris Super Line Milk Dispensers," Norris Dispenser Company, Form No. N395, 2 pp. (published prior to May 17, 1996).
- "Norris Manhattan Line Milk Dispensers," Norris Dispenser Company, Form No. N295, 2 pp. (published prior to May 17, 1996).
- "NSF Certified Norris Manhattan NS Line Milk Dispensers," Norris Dispenser Company, Form No. N195, 2 pp. (published prior to May 17, 1996).
- "Nor-Lake Presents . . . Now You Have A Choice?," Nor-Lake Inc., Form No. MD08², 2 pp. (published prior to May 17, 1996).

Primary Examiner—B. J. Bullock
Attorney, Agent, or Firm—Kinney & Lange, P.A.

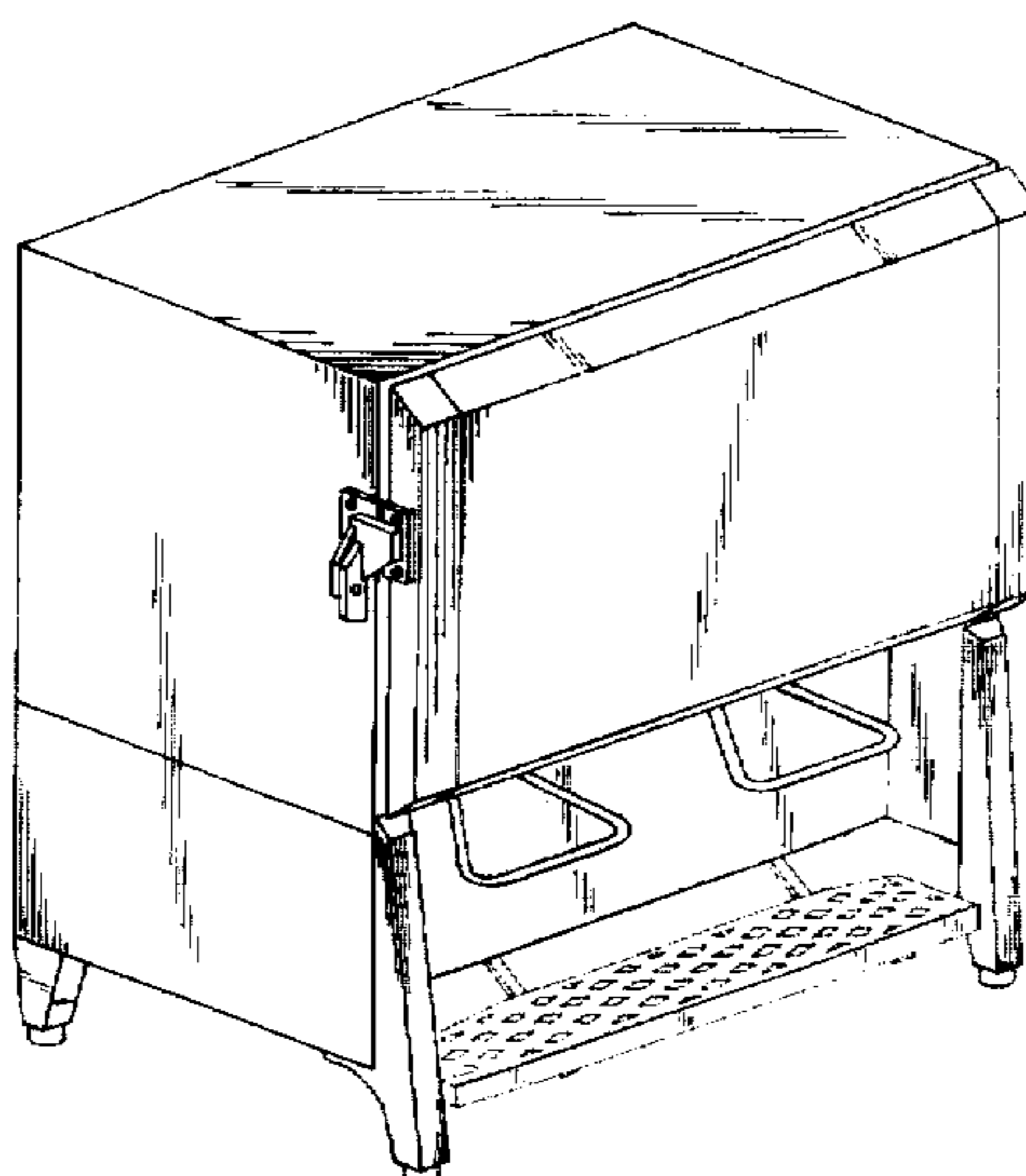
[57] CLAIM

The ornamental design for a refrigerated milk dispenser, as shown and described.

DESCRIPTION

- FIG. 1 is a perspective view, from the front and left;
- FIG. 2 is a top view;
- FIG. 3 is a front elevational view;
- FIG. 4 is a side elevational view, as taken from the right in FIG. 3;
- FIG. 5 is a side elevational view, as taken from the left in FIG. 3;
- FIG. 6 is a rear view; and,
- FIG. 7 is a bottom view.

1 Claim, 4 Drawing Sheets



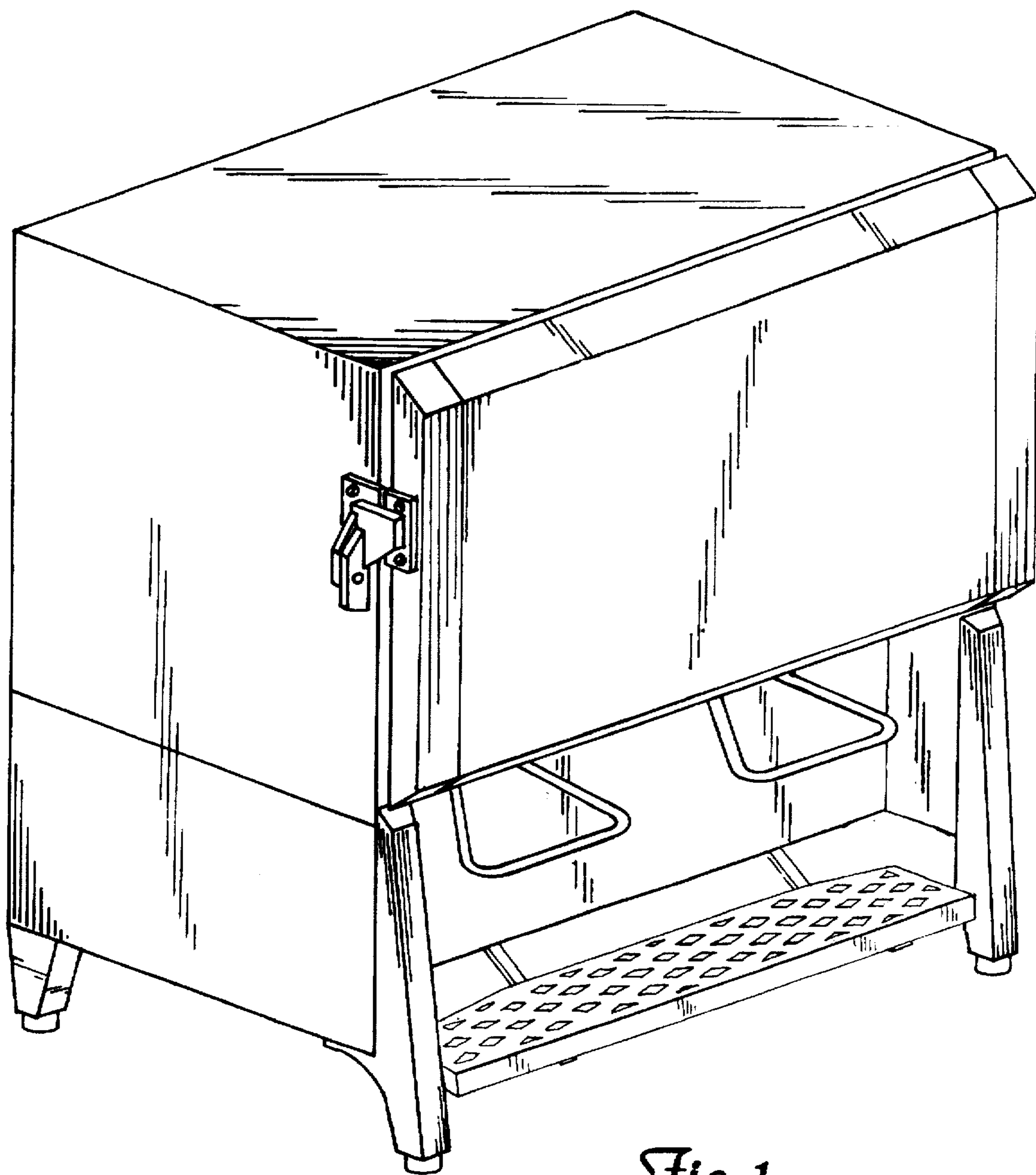


Fig. 1

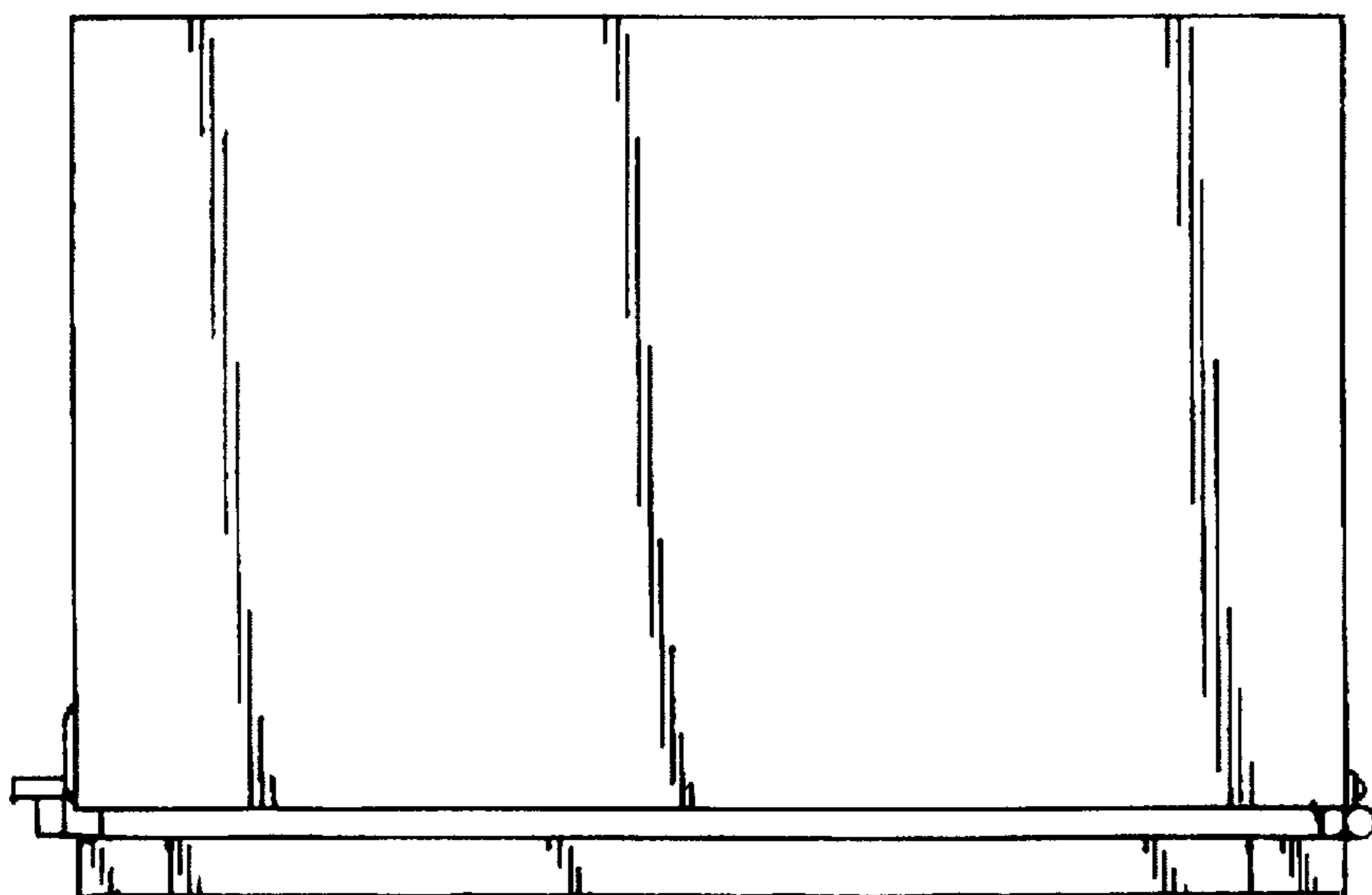


Fig. 2

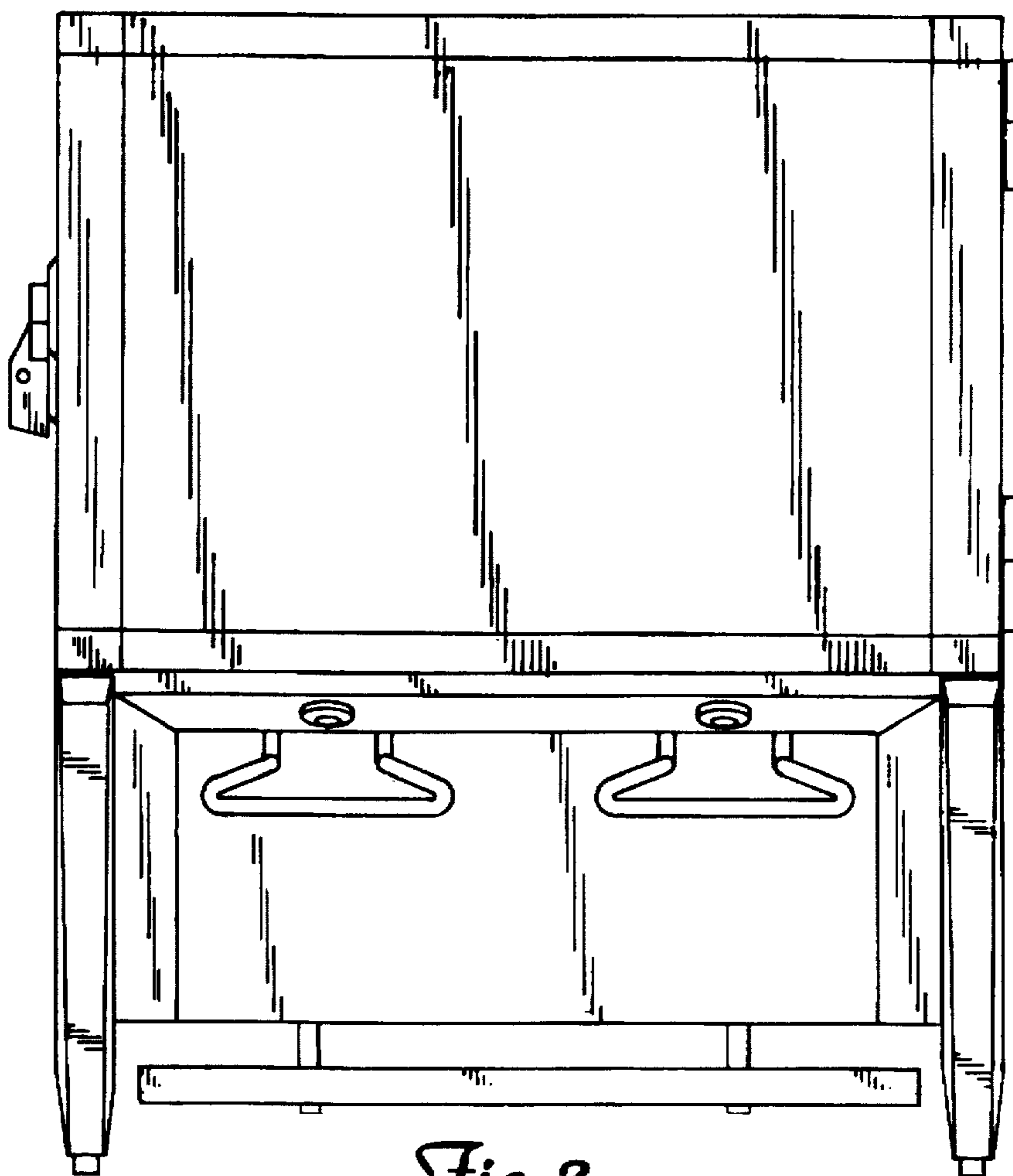


Fig. 3

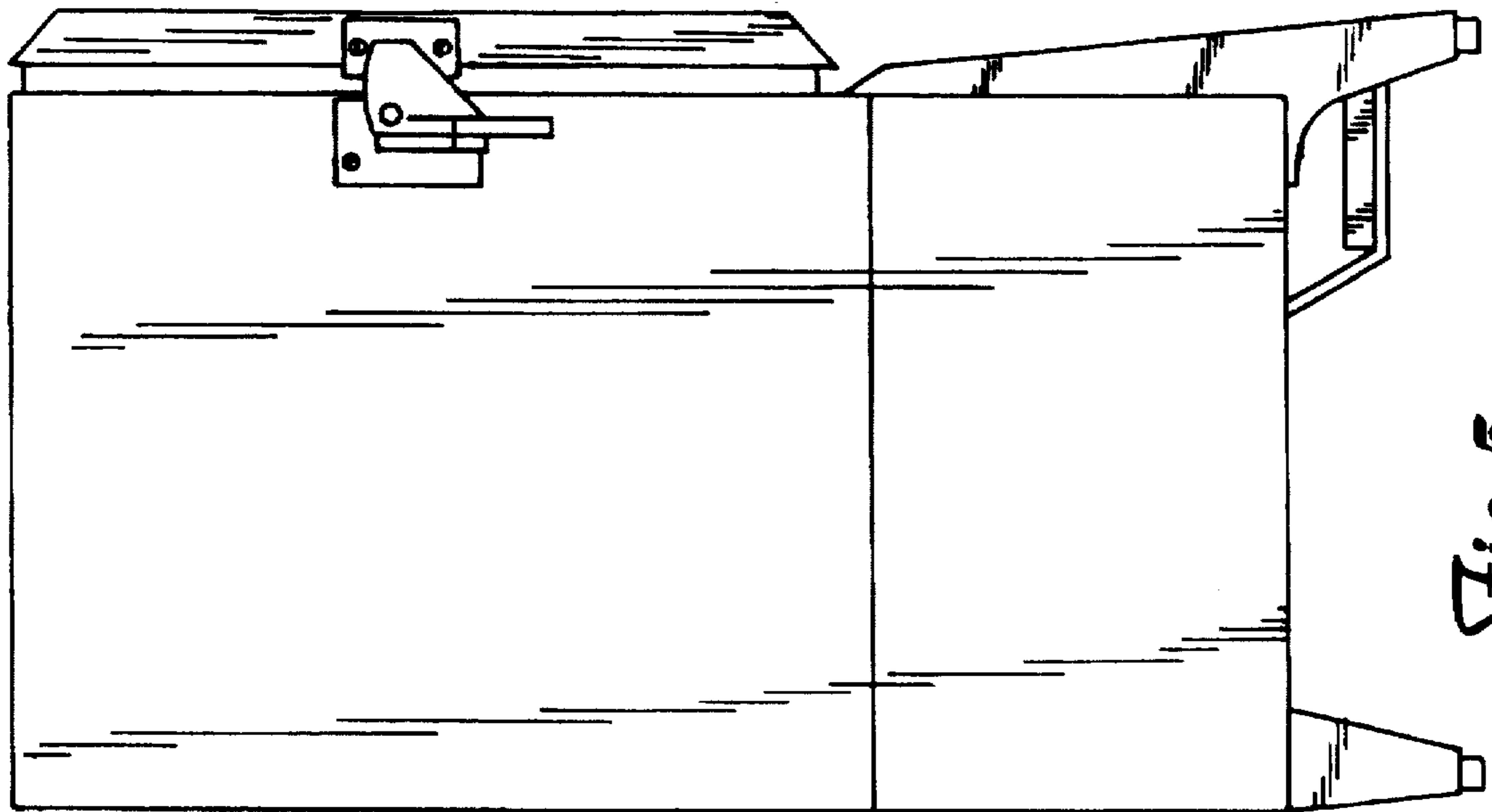


Fig. 5

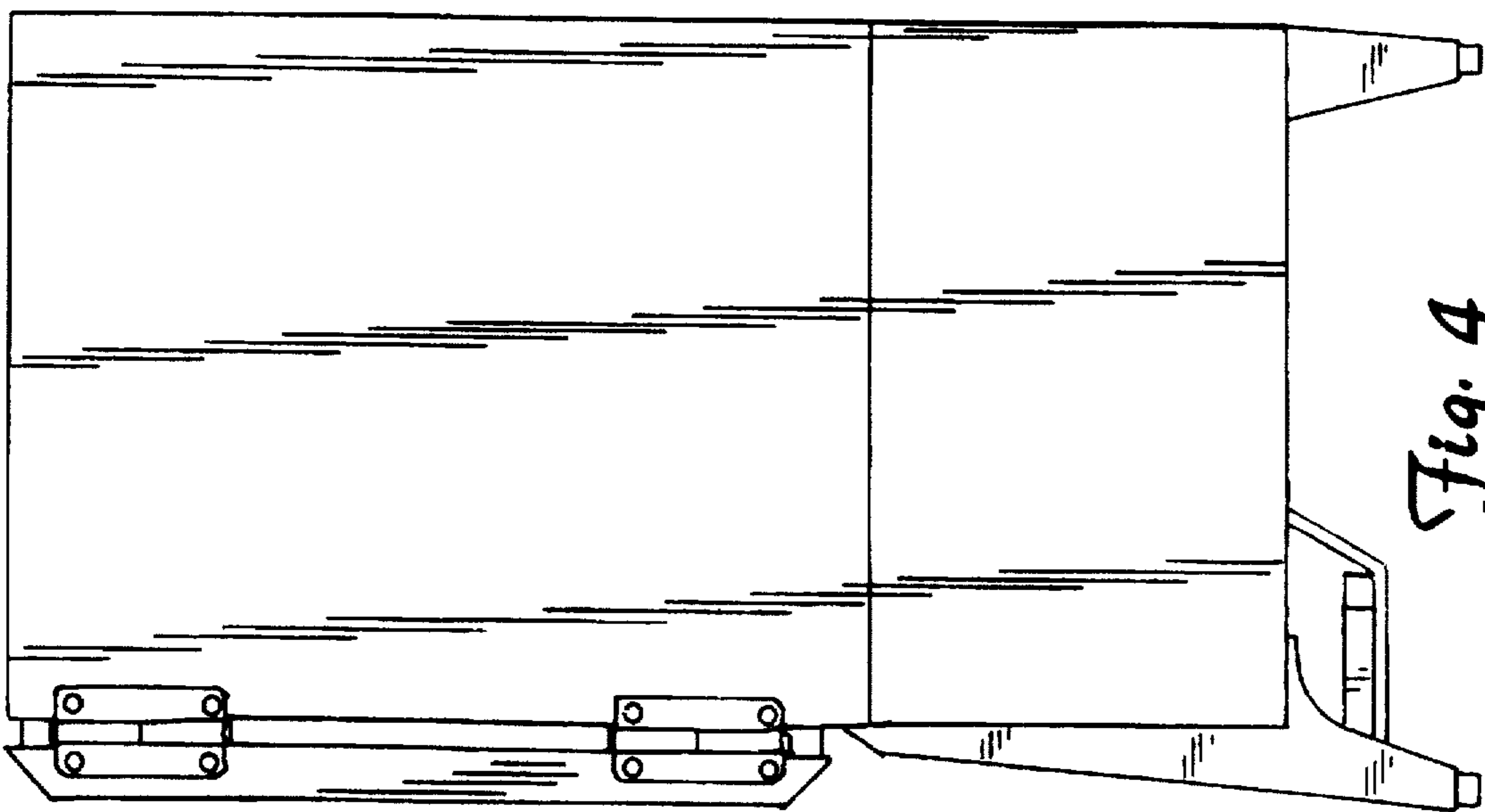


Fig. 4

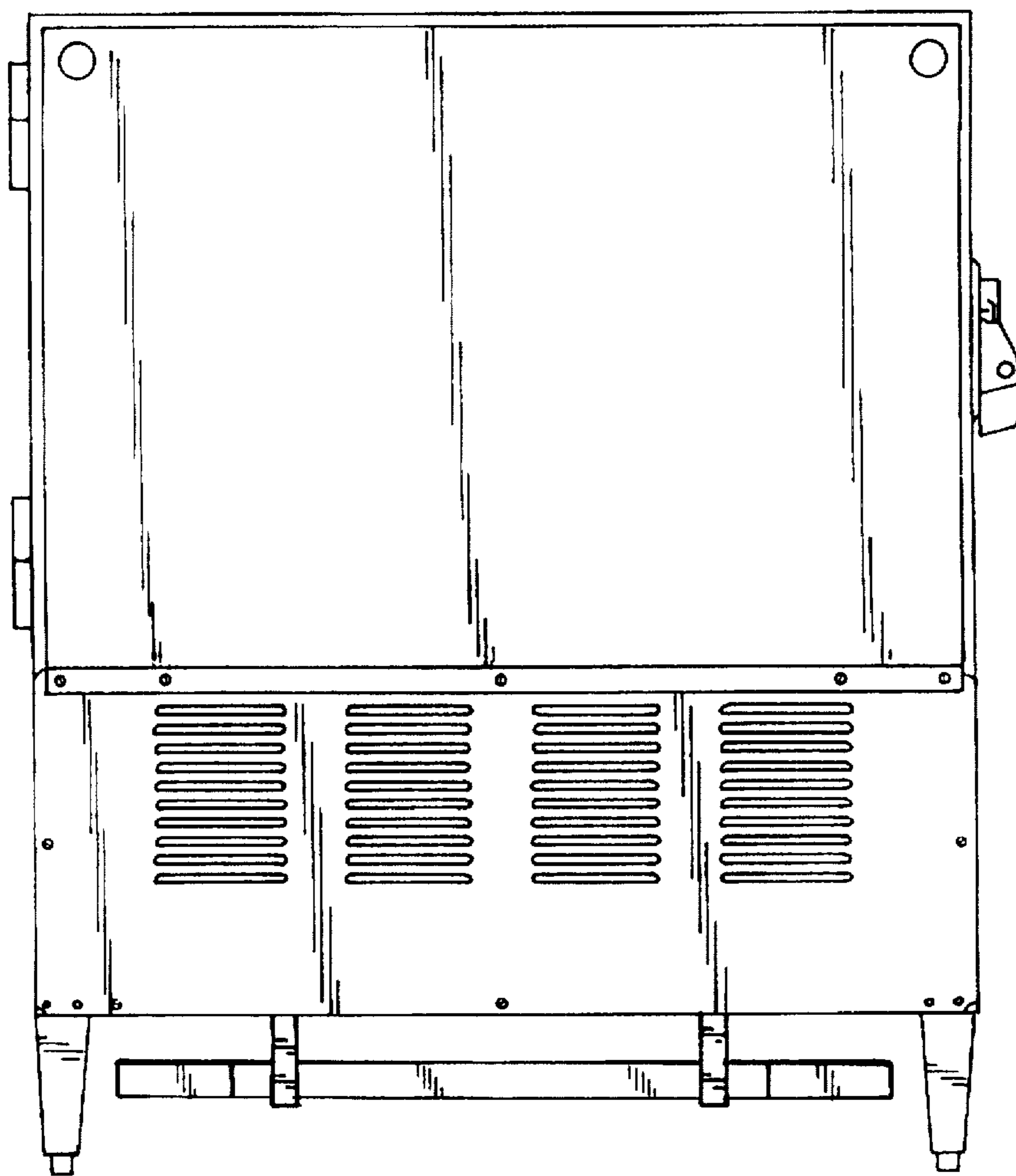


Fig. 6

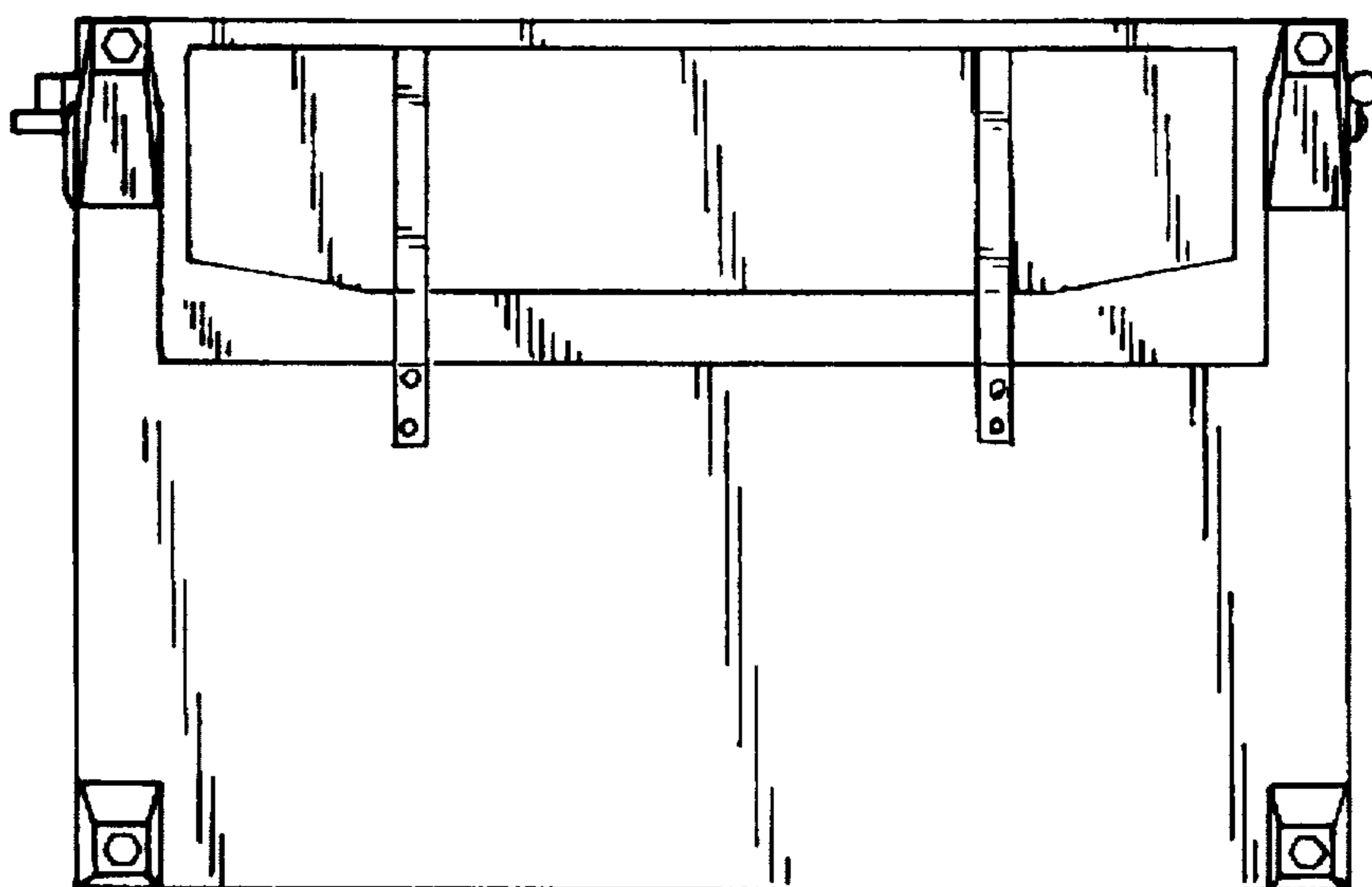


Fig. 7