



US00D391969S

United States Patent [19] Poon

[11] Patent Number: **Des. 391,969**

[45] Date of Patent: ****Mar. 10, 1998**

[54] **AIR PUMP**

D. 363,494 10/1995 Gebauer et al. D15/7
D. 374,237 10/1996 Wang D15/7
2,851,989 9/1958 Rawson D15/7

[75] Inventor: **Tit-ying Poon, Shatin, Hong Kong**

[73] Assignee: **Flying Dragon Development Ltd.,
Hong Kong**

[**] Term: **14 Years**

Primary Examiner—Ralf Seifert
Attorney, Agent, or Firm—Samuels, Gauthier, Stevens &
Reppert

[21] Appl. No.: **68,458**

[57] **CLAIM**

The ornamental design for a air pump, as shown.

[22] Filed: **Feb. 19, 1997**

DESCRIPTION

[51] LOC (6) Cl. **15-02**

[52] U.S. Cl. **D15/7**

[58] Field of Search D15/7-9.1; 417/415,
417/234, 411, 410.3, 410.4, 410.5

FIG. 1 is a perspective view of a air pump showing my new design;

FIG. 2 is a front elevational view thereof;

FIG. 3 is a rear elevational view thereof;

FIG. 4 is a left side view thereof;

FIG. 5 is a right side view thereof;

FIG. 6 is a top plan view thereof; and,

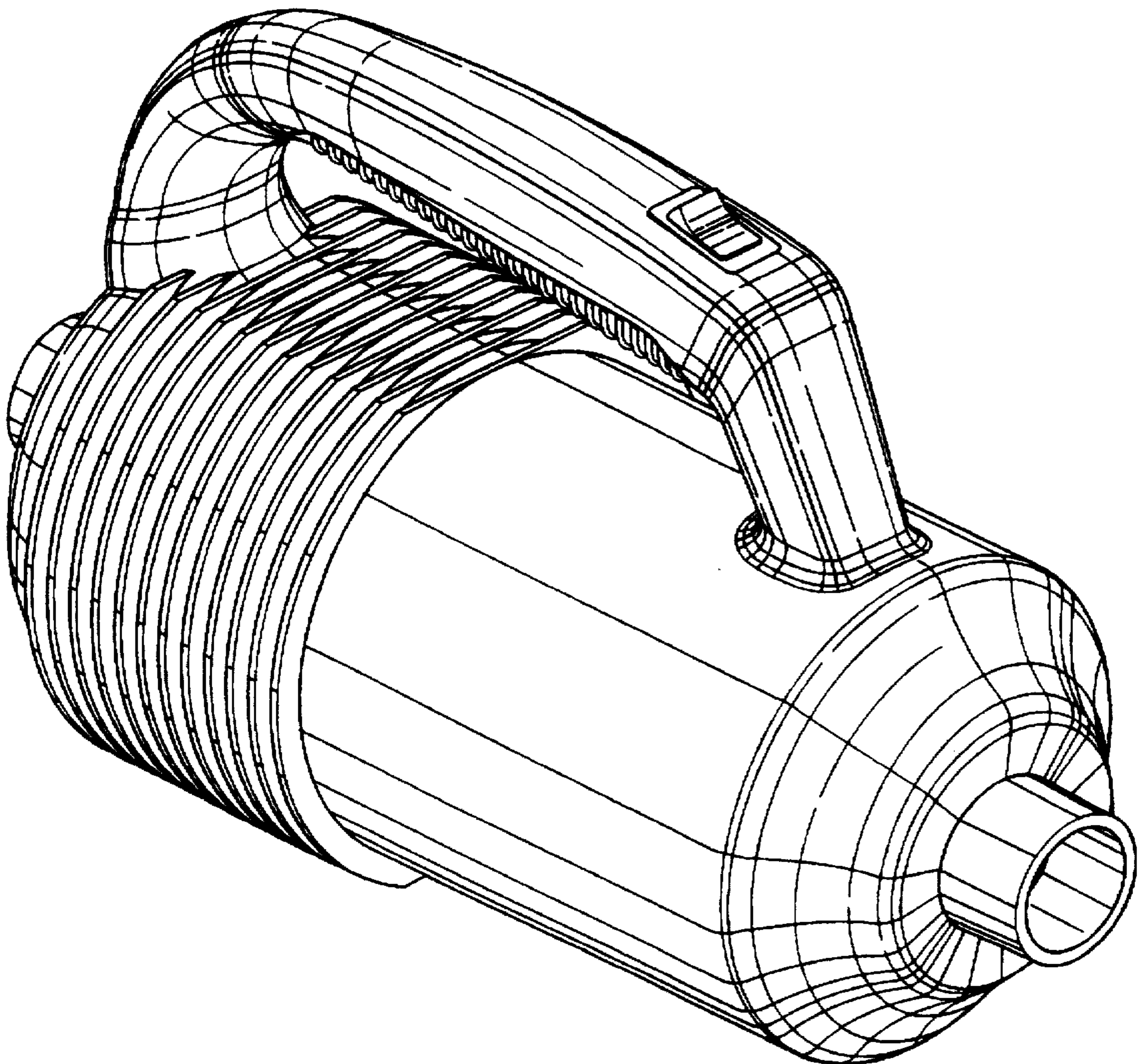
FIG. 7 is a bottom plan view thereof.

[56] **References Cited**

U.S. PATENT DOCUMENTS

D. 307,017 4/1990 Polk et al. D15/7
D. 356,800 3/1995 Chen D15/7

1 Claim, 4 Drawing Sheets



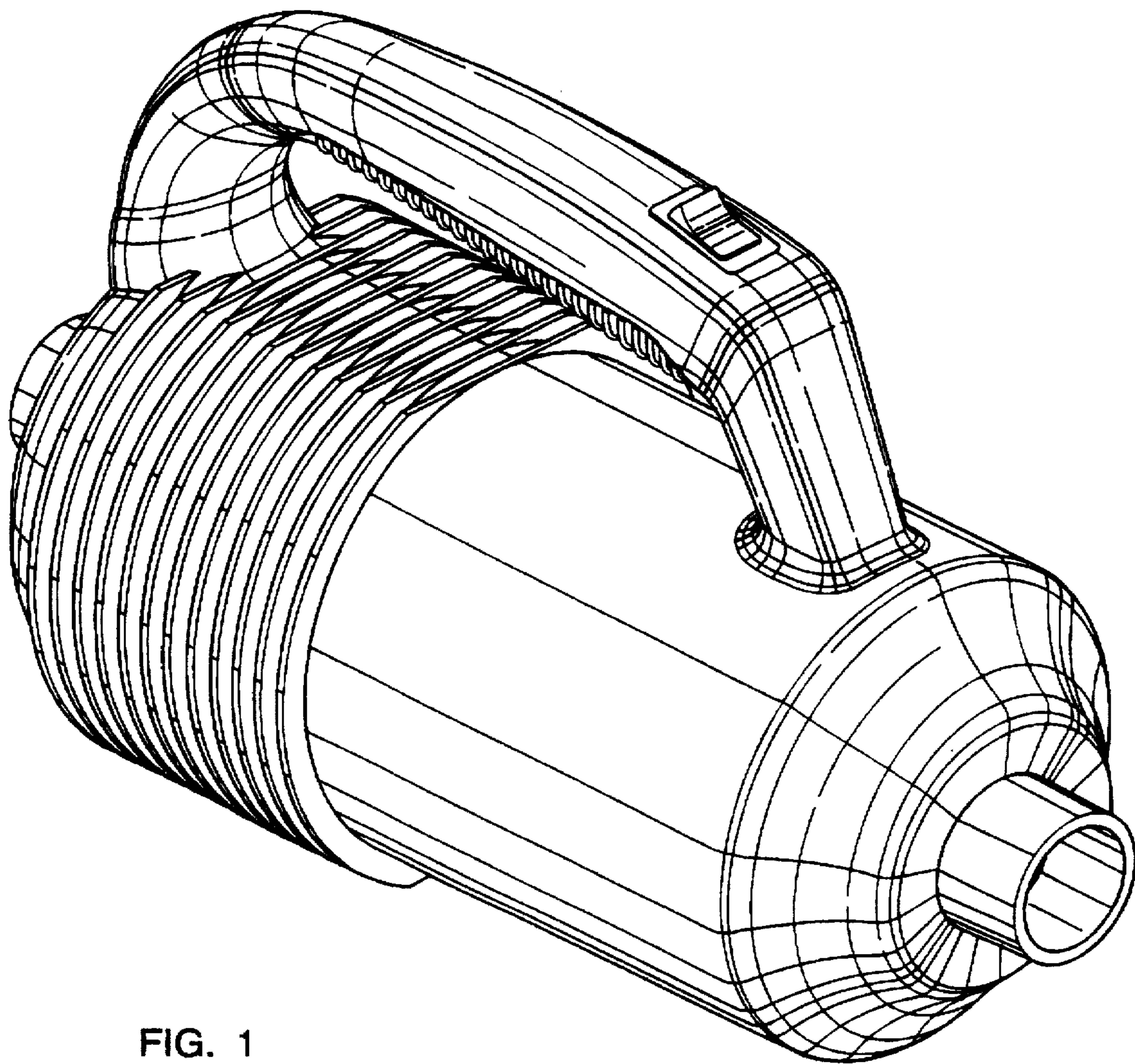


FIG. 1

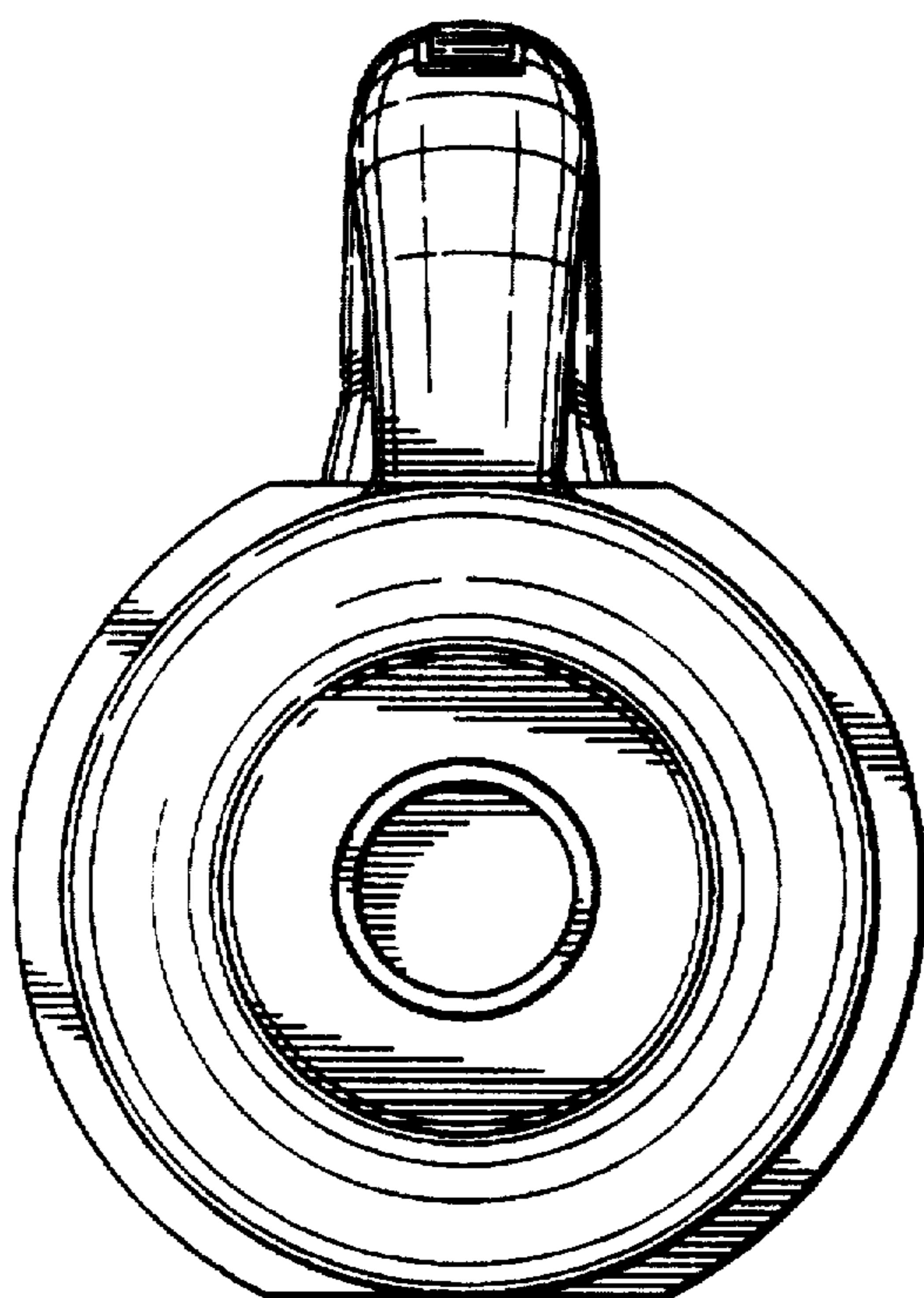


FIG. 2

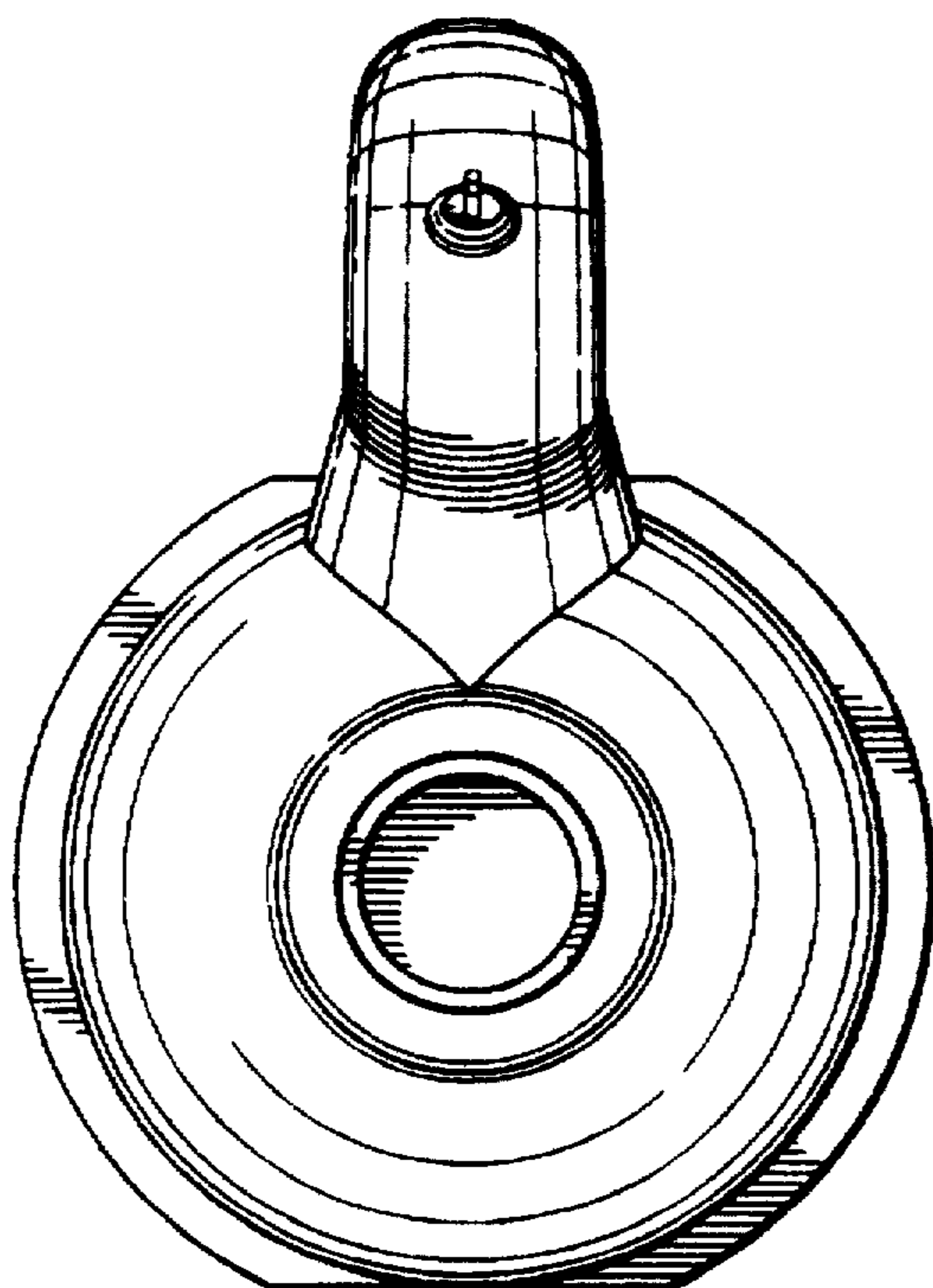


FIG. 3

FIG. 4

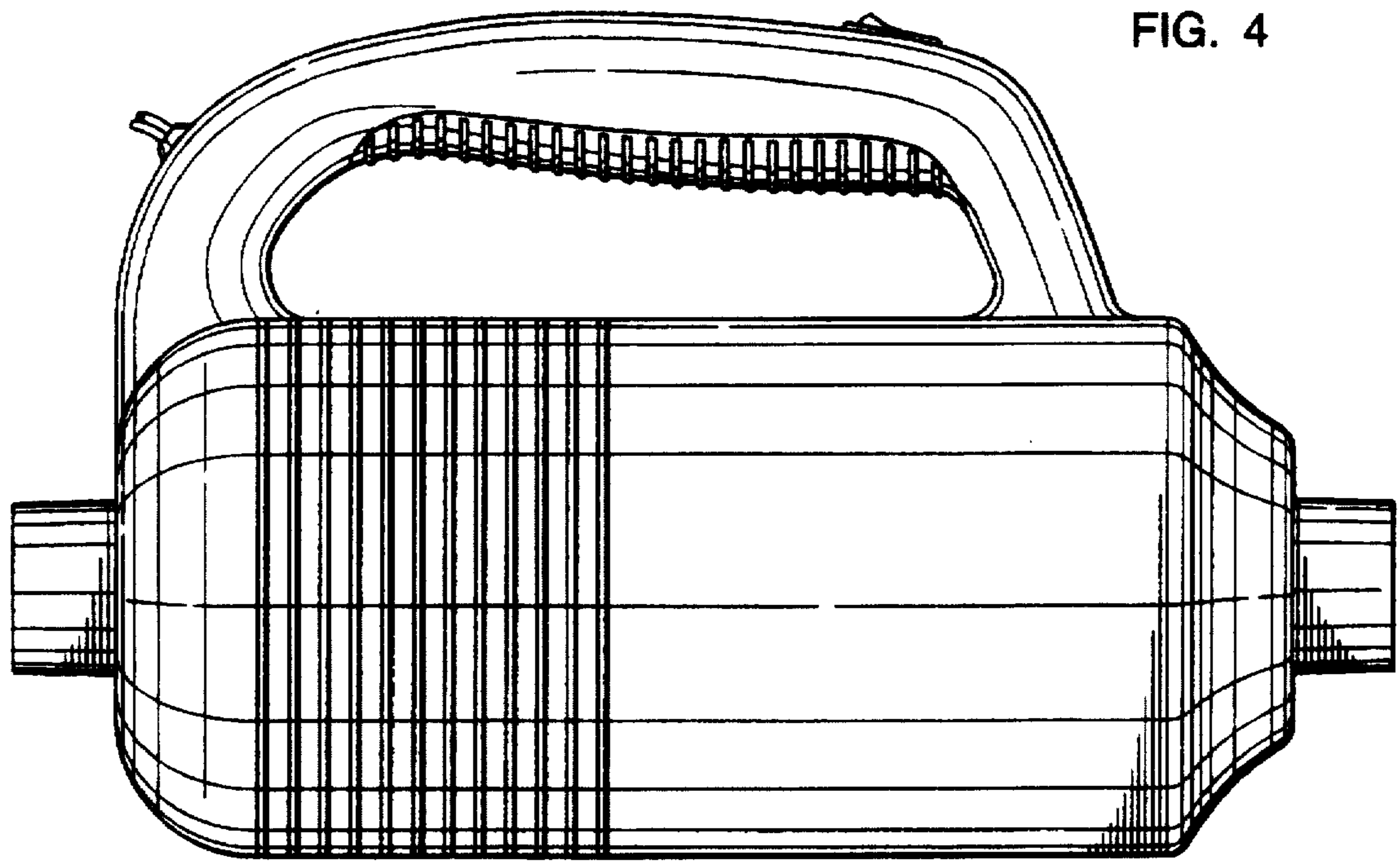
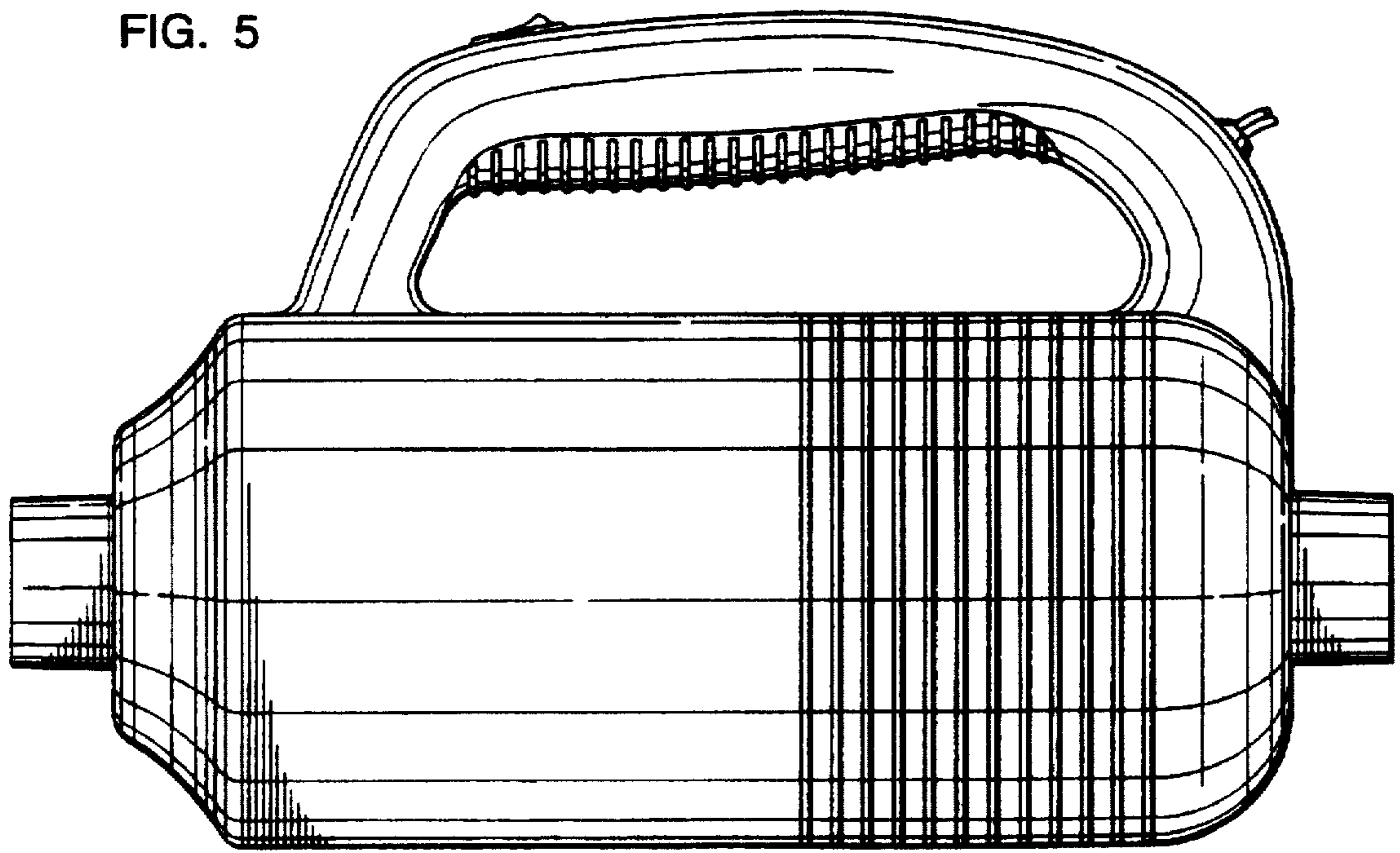


FIG. 5



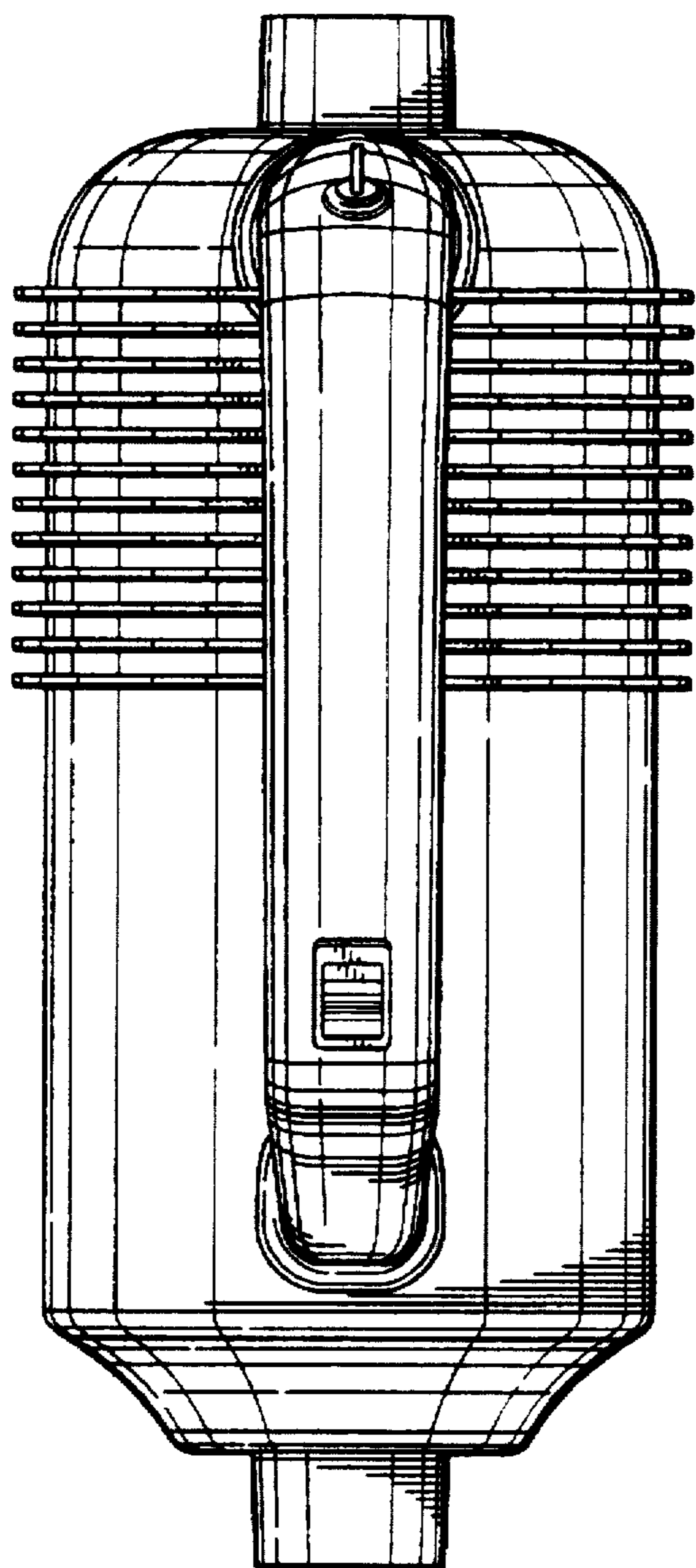


FIG. 6

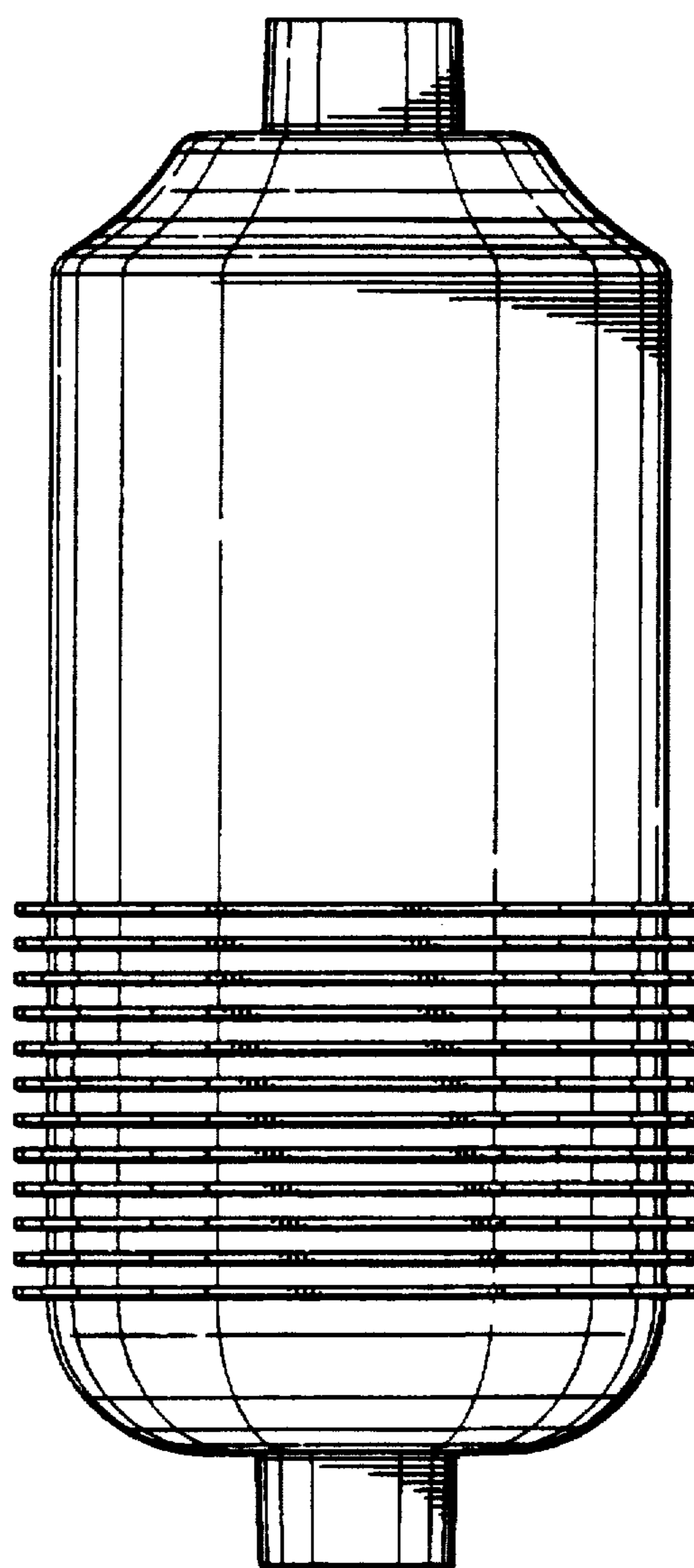


FIG. 7