



US00D391965S

United States Patent [19]
Kimura

[11] **Patent Number: Des. 391,965**
[45] **Date of Patent: **Mar. 10, 1998**

[54] **AUTOMOBILE ANTENNA**
[75] **Inventor: Misao Kimura, Kanagawa, Japan**
[73] **Assignee: Harada Kogyo Kabushiki Kaisha, Tokyo, Japan**
[**] **Term: 14 Years**
[21] **Appl. No.: 248,473**
[22] **Filed: Sep. 23, 1988**
[51] **LOC (6) Cl. 14-03**
[52] **U.S. Cl. D14/230**
[58] **Field of Search D14/230-238, D14/299; 343/715, 901, 903, 713**

Primary Examiner—Ted Shooman
Attorney, Agent, or Firm—Koda and Androlia

[57] **CLAIM**

The ornamental design for an automobile antenna, as shown and described.

DESCRIPTION

FIG. 1 is a front elevational view of an automobile antenna showing my new design;
FIG. 2 is a rear elevational view thereof;
FIG. 3 is a right side elevational view thereof;
FIG. 4 is a left side elevational view thereof;
FIG. 5 is a bottom plan view thereof;
FIG. 6 is a top plan view thereof; and,
FIG. 7 is a top, front and left side perspective view thereof.

[56] **References Cited**
PUBLICATIONS

Radio Shack 1988 Catalog No. 419, p. 61, top right—AM/FM Power Antenna.
Fordham 1987 Catalog; p. 139; Top-right Universal AM/FM Power Antennas.

1 Claim, 3 Drawing Sheets

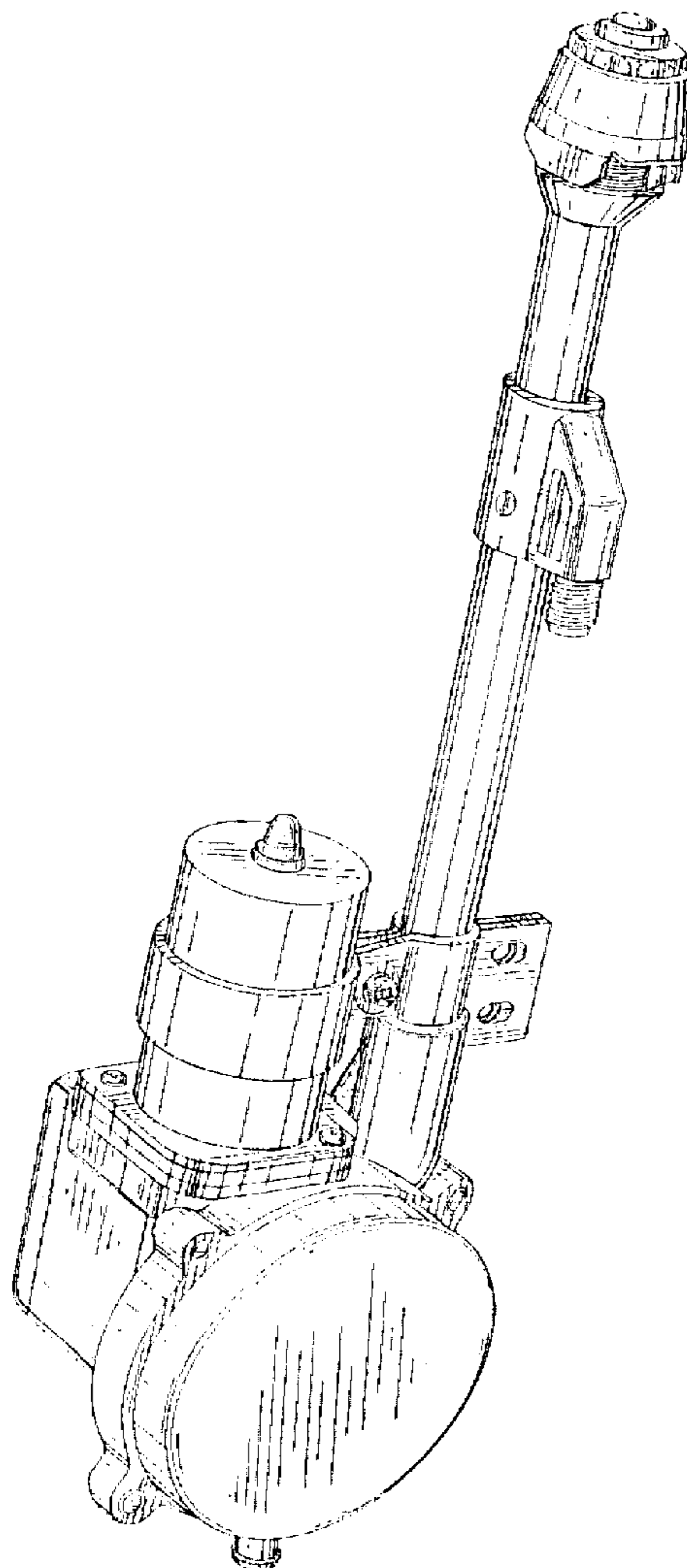


FIG. 1

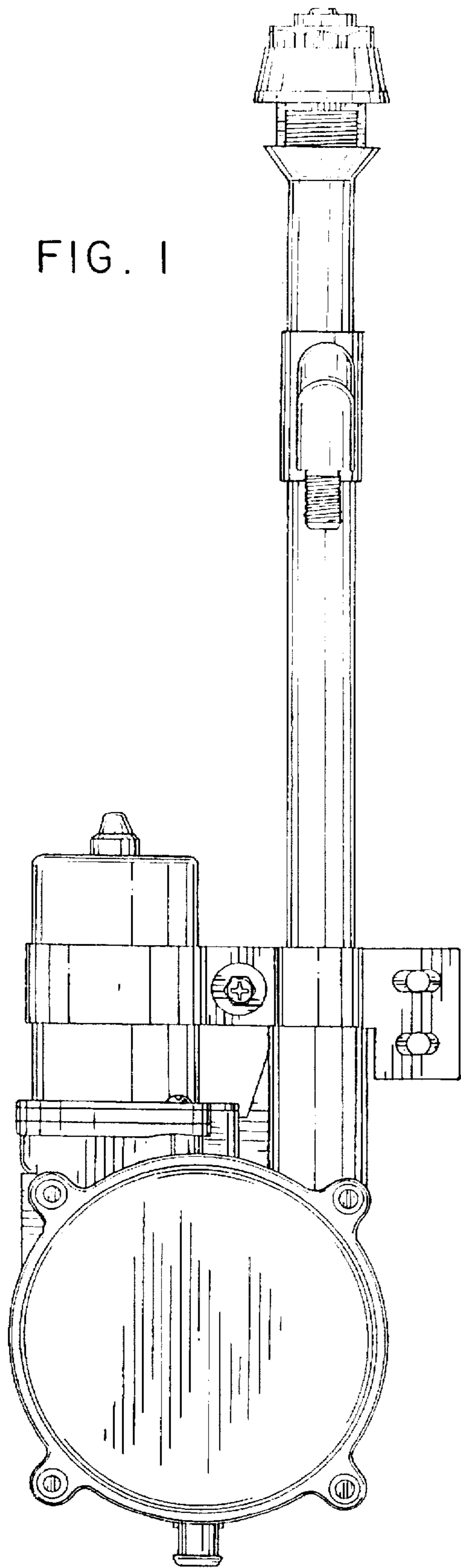
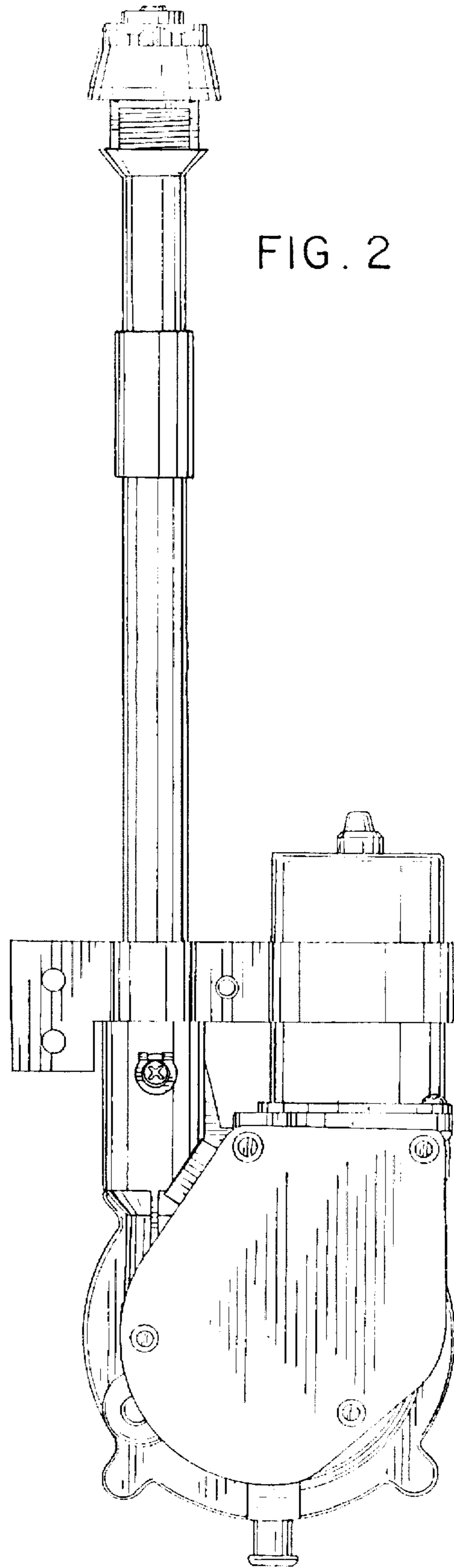


FIG. 2



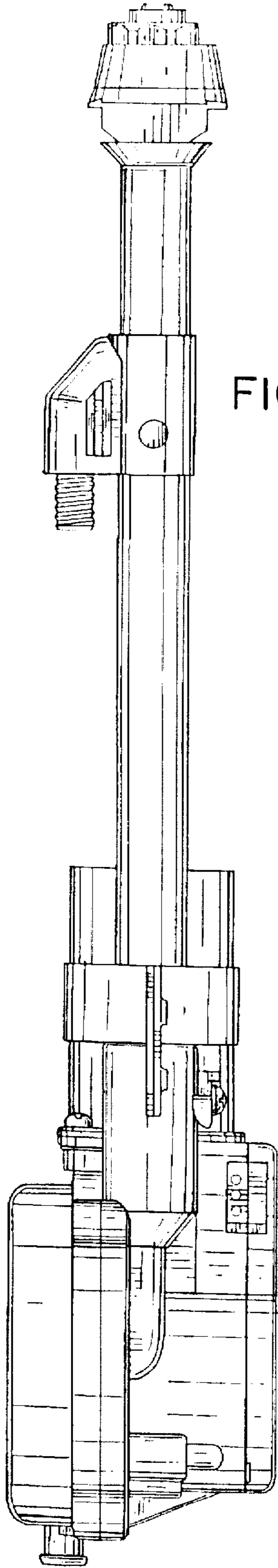


FIG. 3

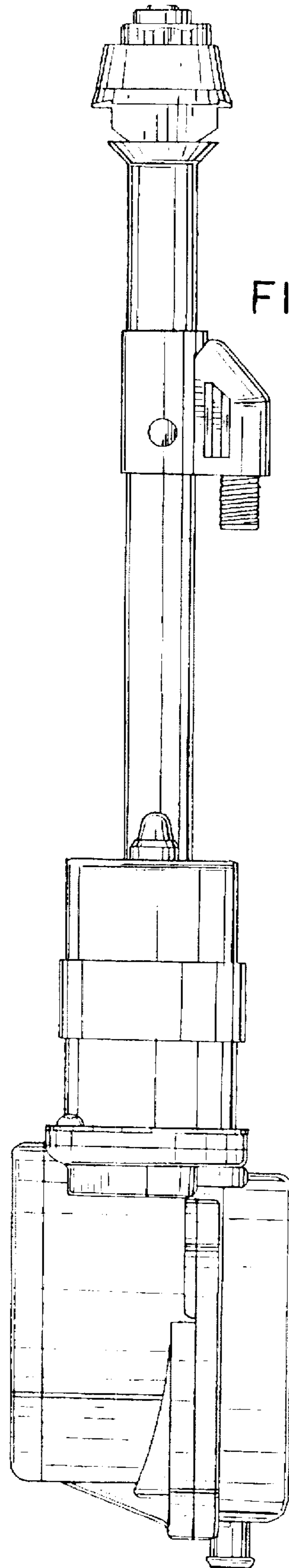


FIG. 4

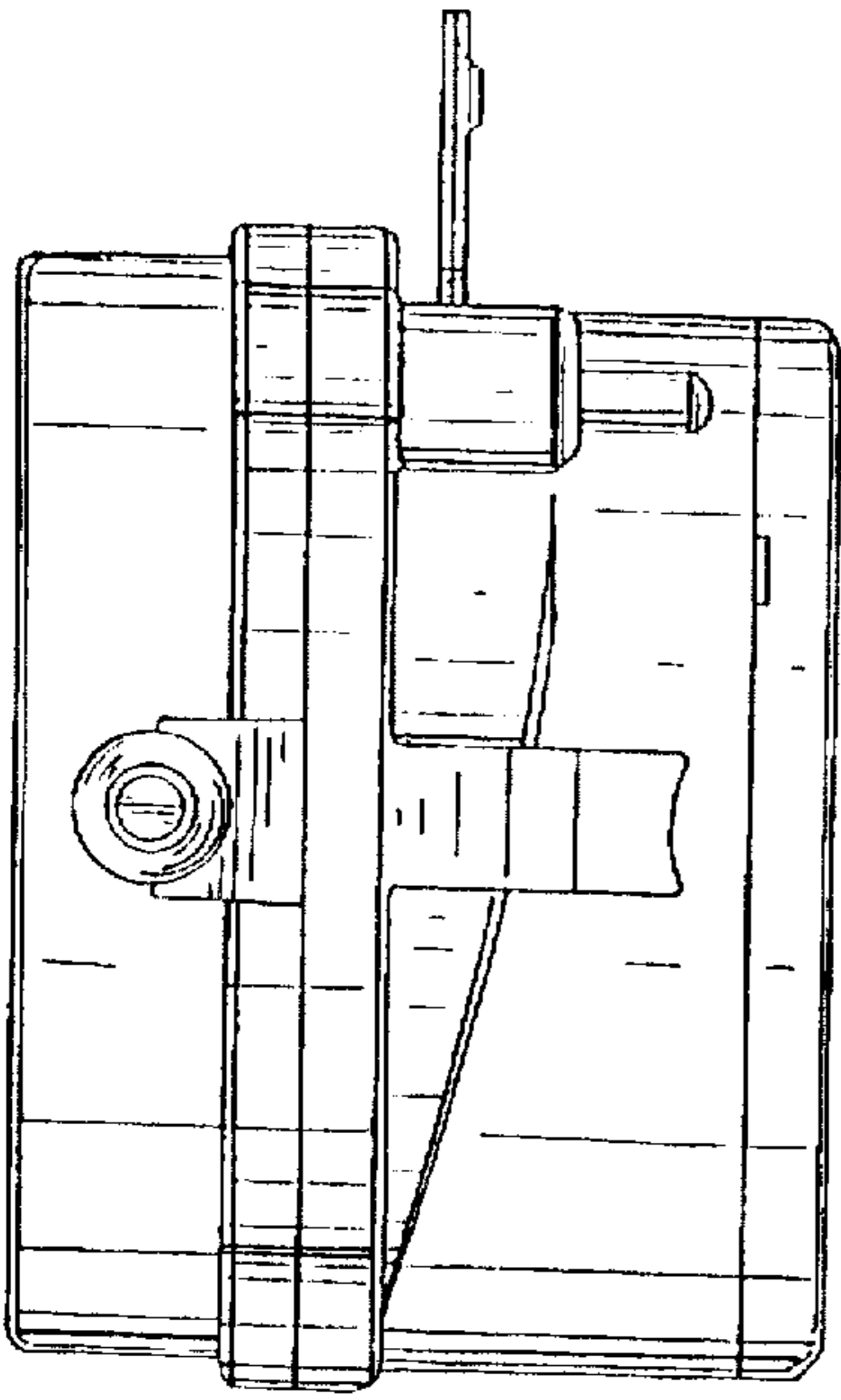


FIG. 5

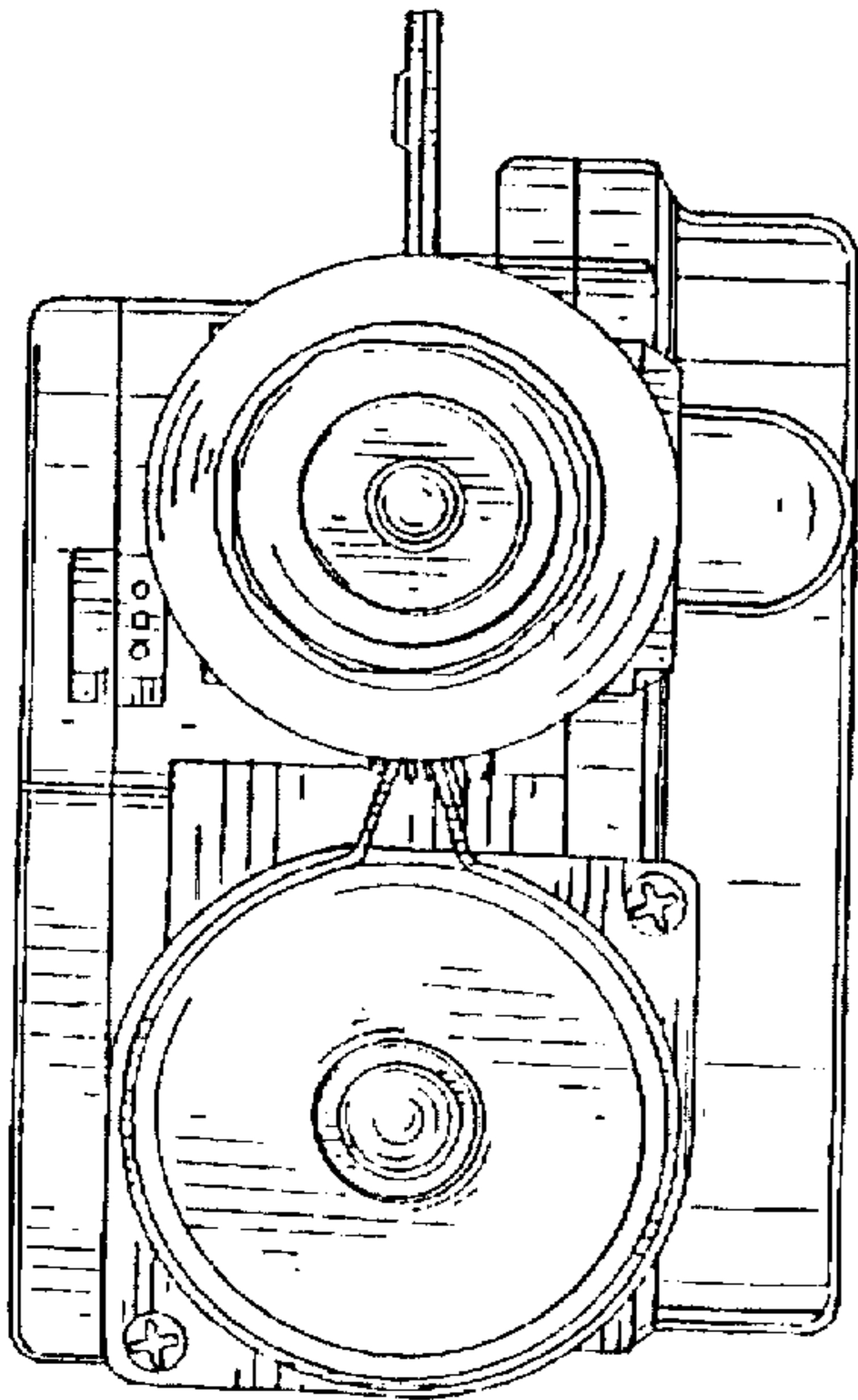


FIG. 6

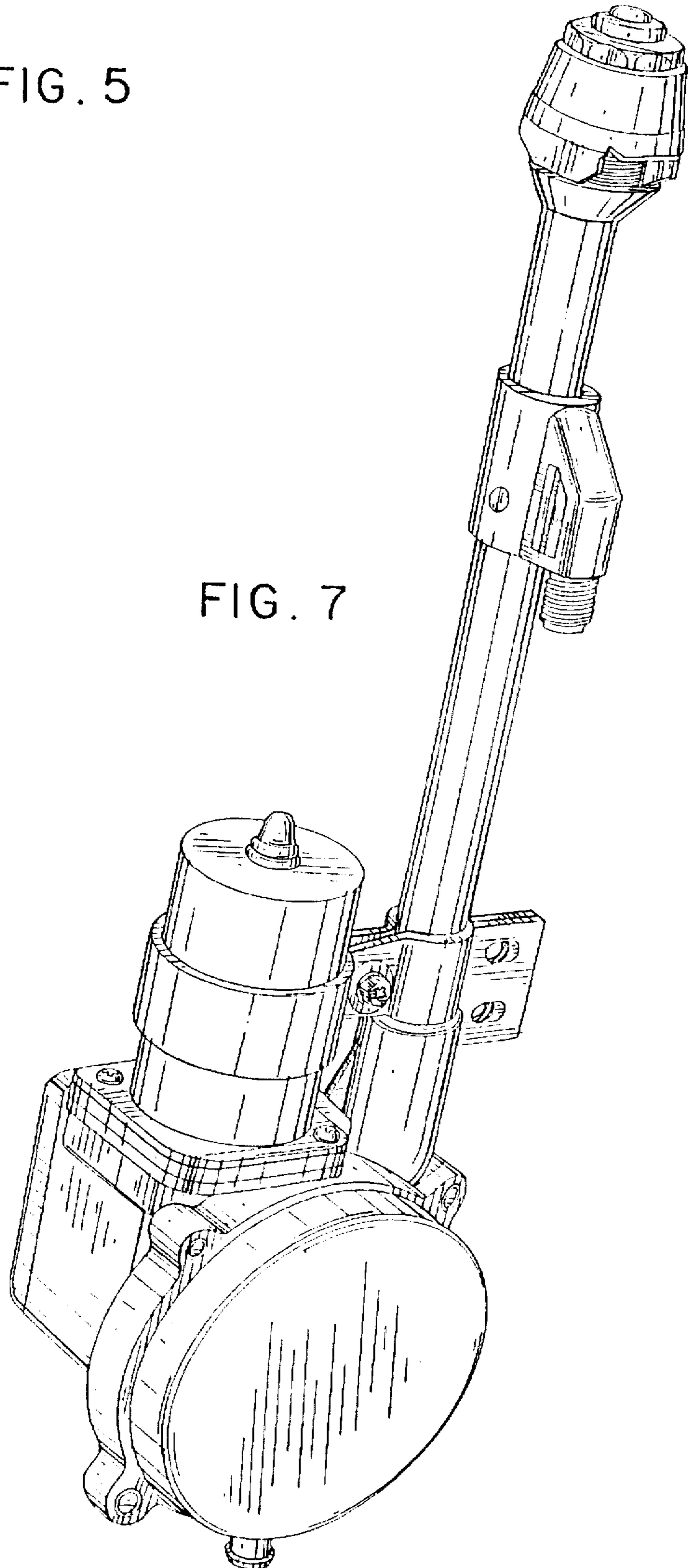


FIG. 7