

US00D391959S

United States Patent [19] Shibata

[11] Patent Number: Des. 391,959

[45] Date of Patent: **Mar. 10, 1998

[54] DIGITAL AUDIO DISK RECORDER

[75] Inventor: Hirokazu Shibata, Hiroshima-ken, Japan

[73] Assignee: Sharp Kabushiki Kaisha, Osaka, Japan

[**] Term: 14 Years

[21] Appl. No.: 60,807

[22] Filed: Oct. 8, 1996

[30] Foreign Application Priority Data

Apr. 8, 1996 [JP] Japan 8-9996

[51] LOC (6) Cl. 14-01

[52] U.S. Cl. D14/167

[58] Field of Search D14/141, 160-168, D14/170-171, 188, 193-198; 455/344, 345, 347, 350, 351

[56] References Cited

U.S. PATENT DOCUMENTS

D. 310,078 8/1990 Naito D14/164

D. 330,027 10/1992 Kikutani D14/165
D. 330,553 10/1992 Hino D14/171
D. 334,931 4/1993 Ito et al. D14/164

Primary Examiner—Ted Shooman
Assistant Examiner—Nanda Bondade
Attorney, Agent, or Firm—Nixon & Vanderhye

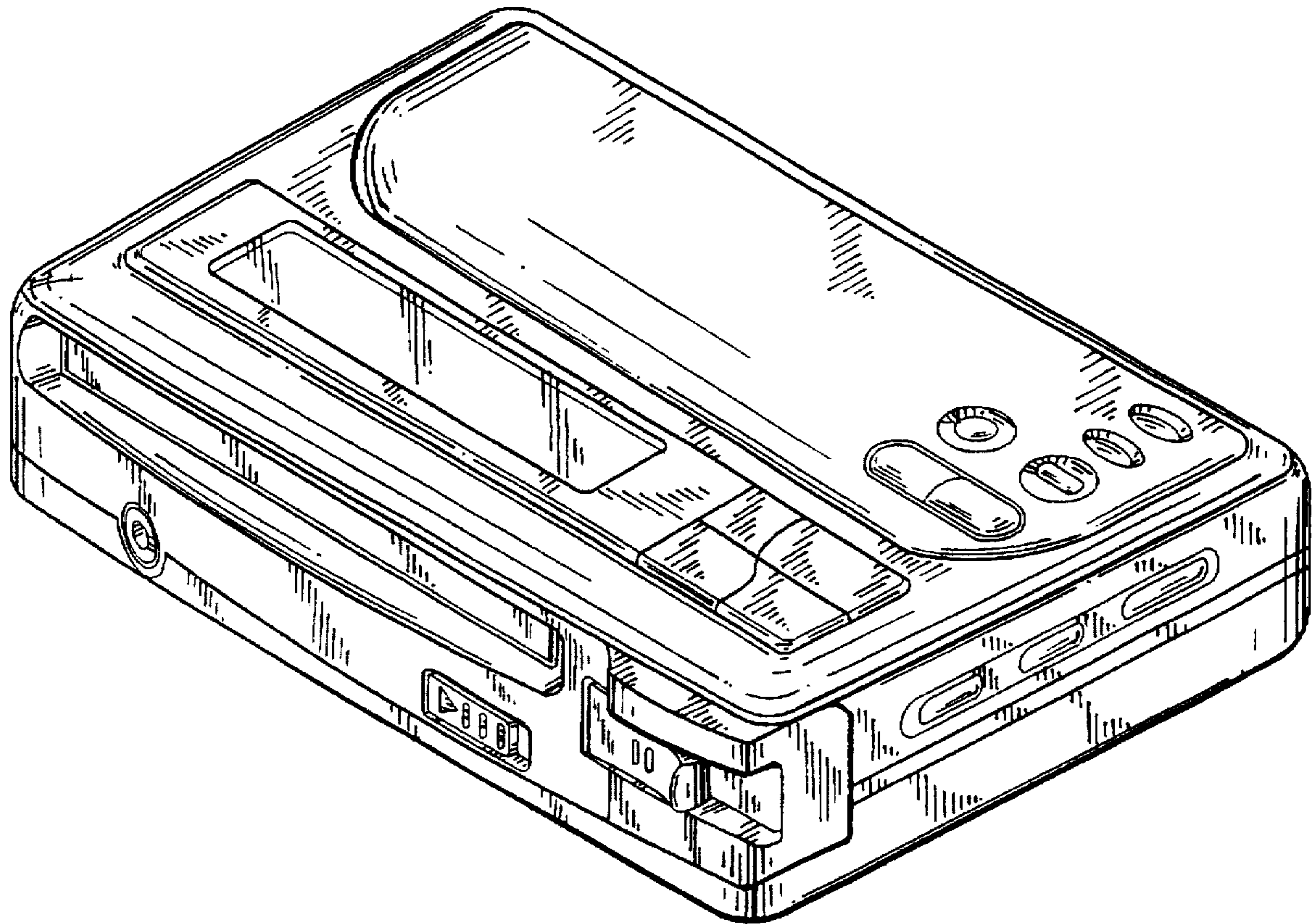
[57] CLAIM

The ornamental design for a digital audio disk recorder, as shown and described.

DESCRIPTION

FIG. 1 is a top, front and right side perspective view of a digital audio disk recorder according to my design; FIG. 2 is a top plan view thereof; FIG. 3 is a front elevational view thereof; FIG. 4 is a bottom plan view thereof; FIG. 5 is a rear elevational view thereof; FIG. 6 is a right side elevational view thereof; and, FIG. 7 is a left side elevational view thereof.

1 Claim, 4 Drawing Sheets



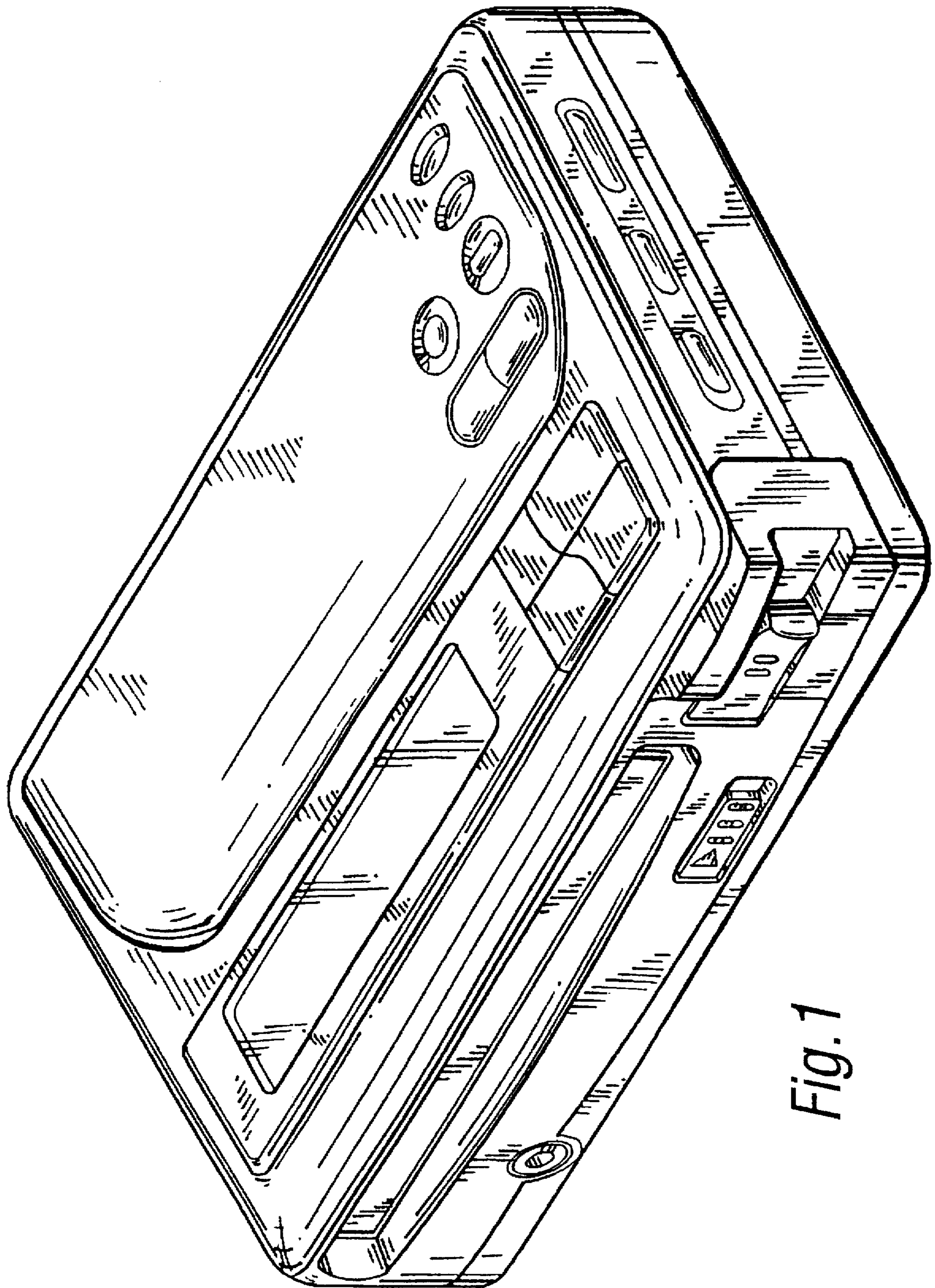


Fig. 1

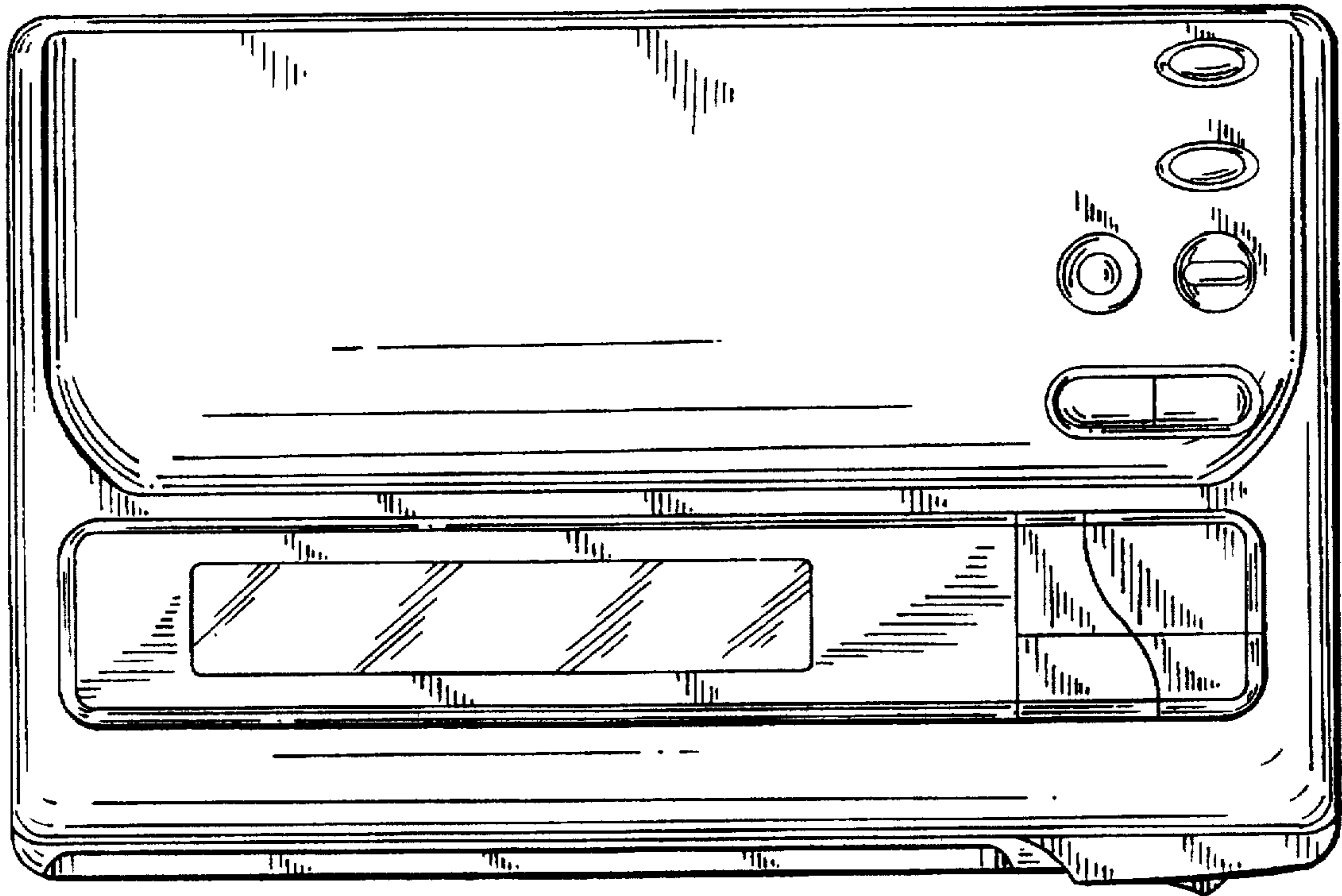


Fig. 2

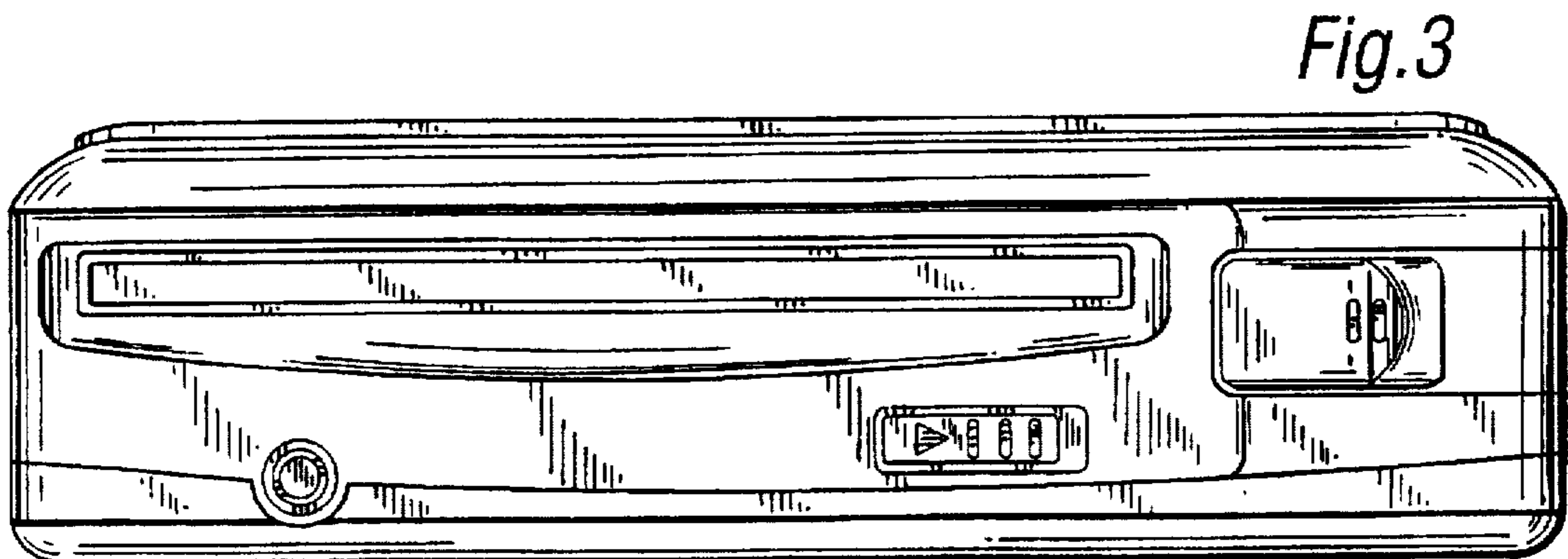


Fig. 3

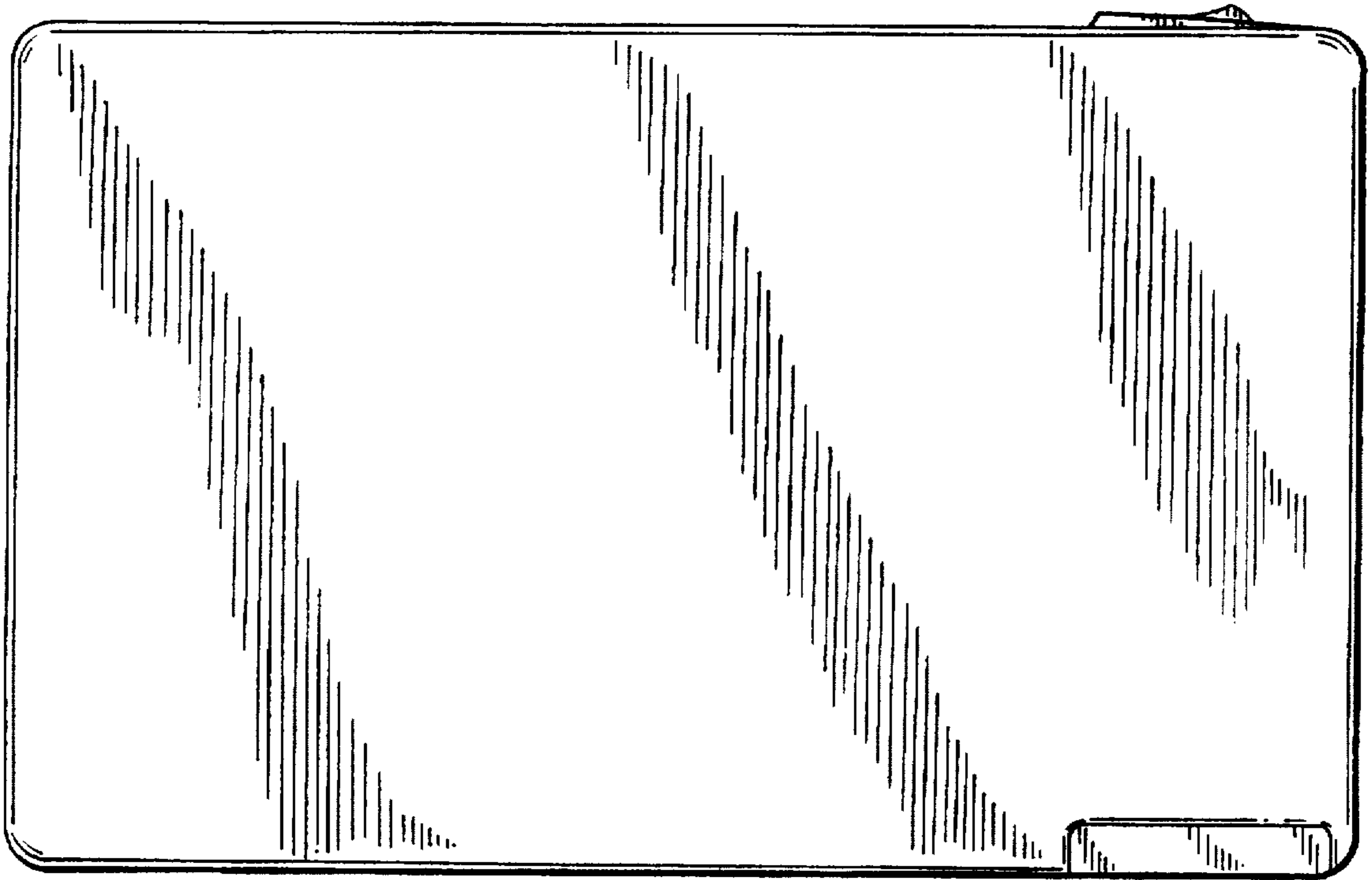
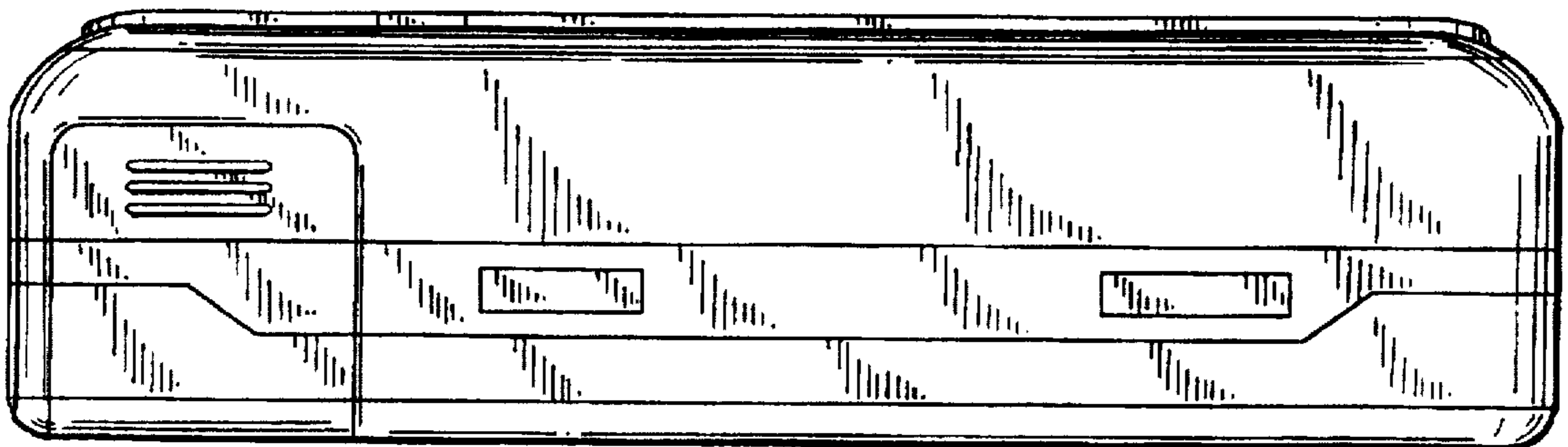


Fig. 4

Fig. 5



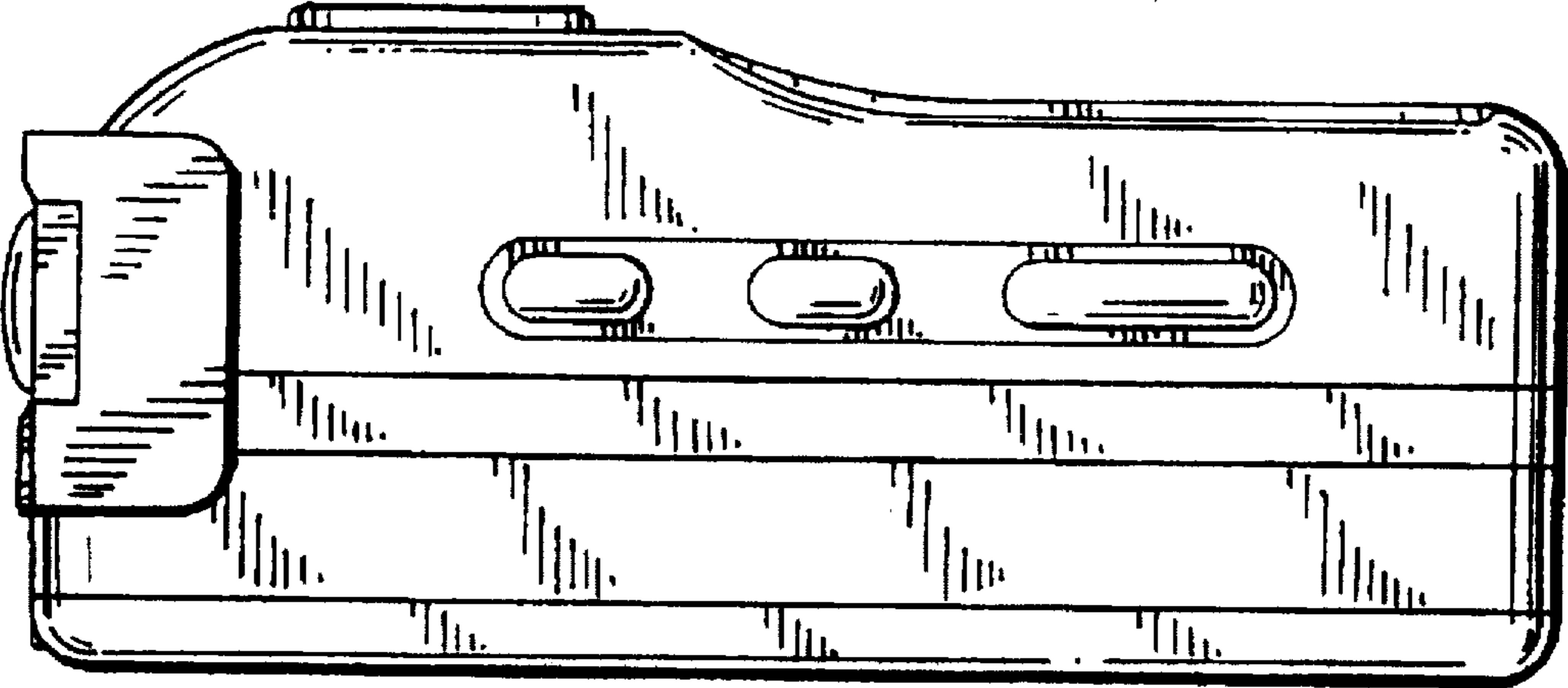


Fig. 6

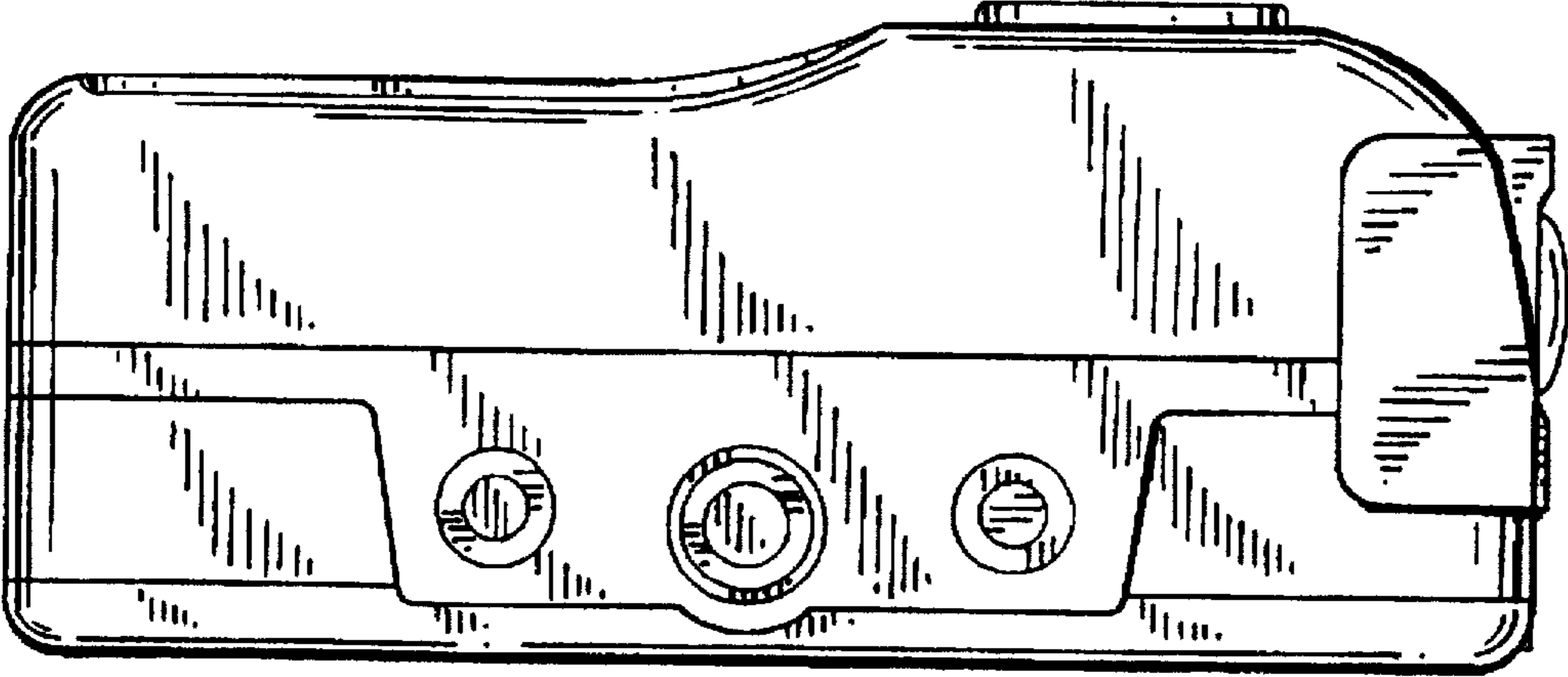


Fig. 7