



US00D391957S

United States Patent [19]

Ito et al.

[11] Patent Number: **Des. 391,957**

[45] Date of Patent: ****Mar. 10, 1998**

[54] **OPTICAL DISC PLAYER**

[75] Inventors: **Masafumi Ito; Haruki Takita; Katsuhiko Takashima; Yasunobu Shimizu**, all of Musashino, Japan

[73] Assignee: **Teac Corporation**, Japan

[**] Term: **14 Years**

[21] Appl. No.: **59,981**

[22] Filed: **Sep. 19, 1996**

[30] **Foreign Application Priority Data**

Mar. 28, 1996 [JP] Japan 8-8708

[51] LOC (6) Cl. **14-01**

[52] U.S. Cl. **D14/156; D14/136; D14/107; D14/160**

[58] Field of Search **D14/107, 109, D14/124, 135, 136, 156, 160, 239, 299; 369/77.1, 77.2**

[56] **References Cited**

U.S. PATENT DOCUMENTS

D. 342,061 12/1993 Ogura et al. D14/109

D. 357,015 4/1995 Ikenaga D14/156
D. 367,051 2/1996 Hyogo D14/135

OTHER PUBLICATIONS

Catalogue picture of MBR-7 CD-ROM. Nakamichi, undated, admitted prior art.

Primary Examiner—Ted Shooman
Assistant Examiner—Richelle Shelton
Attorney, Agent, or Firm—Ladas & Parry

[57] **CLAIM**

The ornamental design for an optical disc player, as shown and described.

DESCRIPTION

FIG. 1 is a perspective view of an optical disc player showing our new design;
FIG. 2 is a front view thereof;
FIG. 3 is a rear view thereof;
FIG. 4 is a left side view thereof, the right side view being a mirror image of the left side;
FIG. 5 is a top view thereof; and,
FIG. 6 is a bottom view thereof.

1 Claim, 2 Drawing Sheets

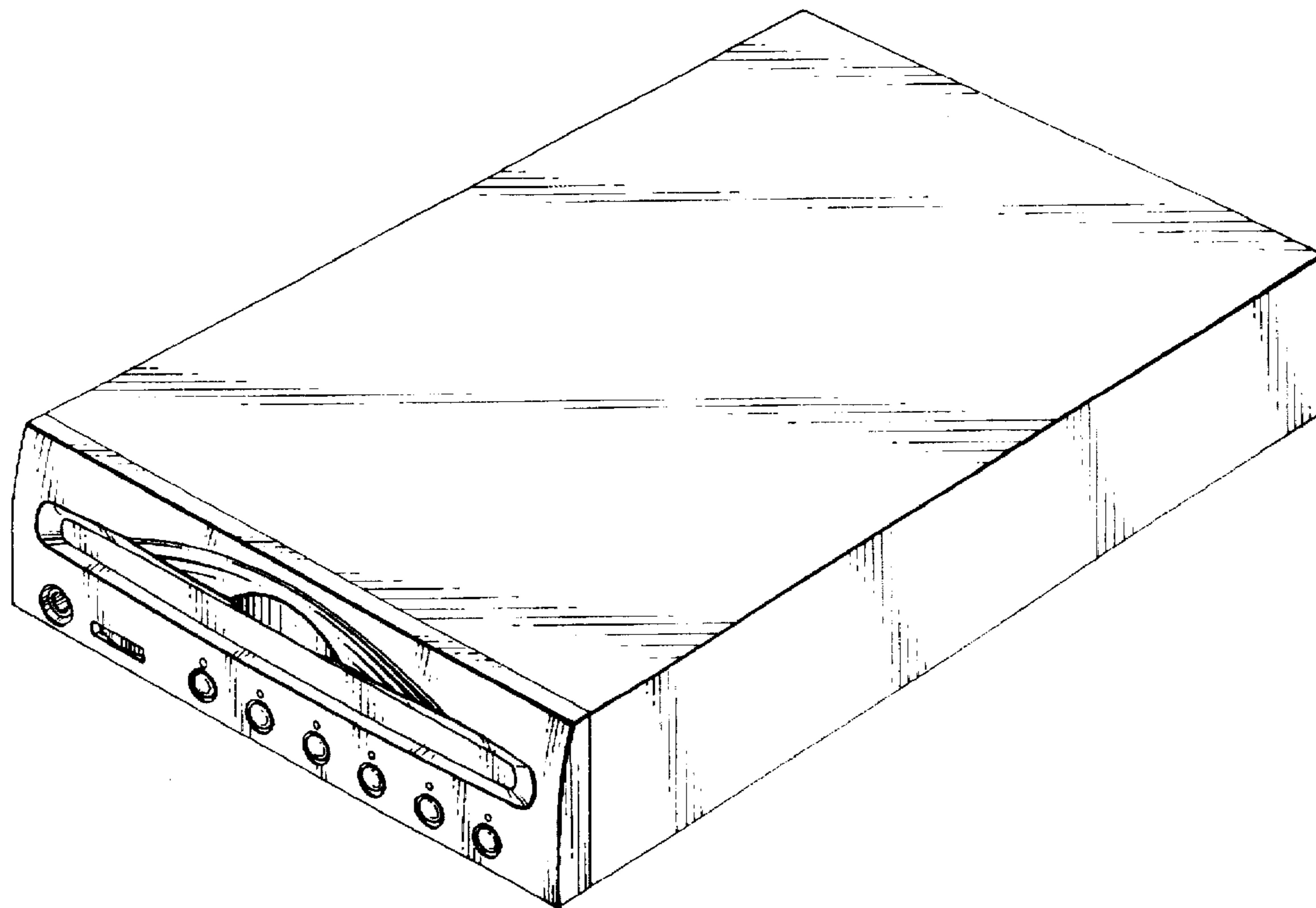


FIG. 1

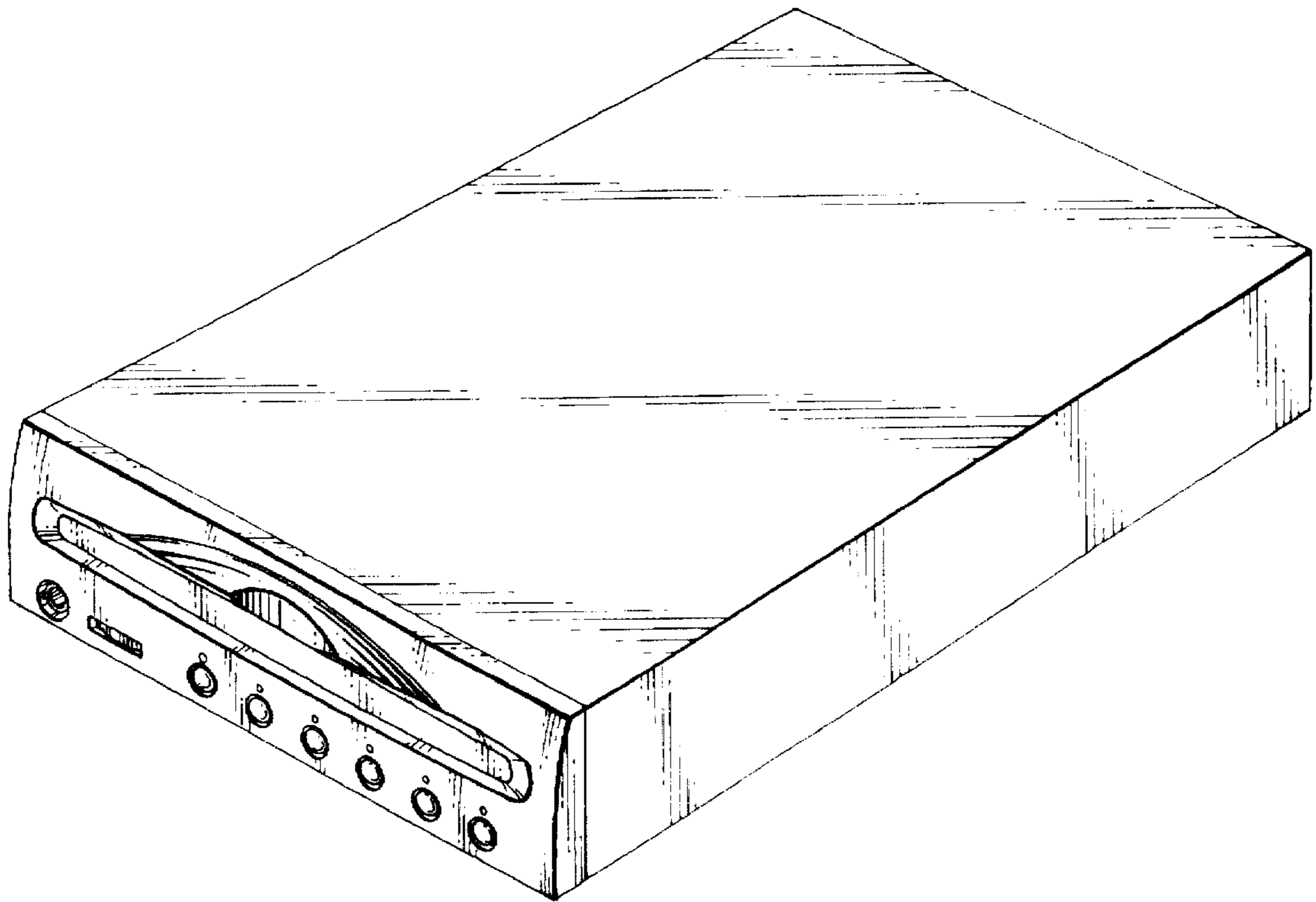


FIG. 2

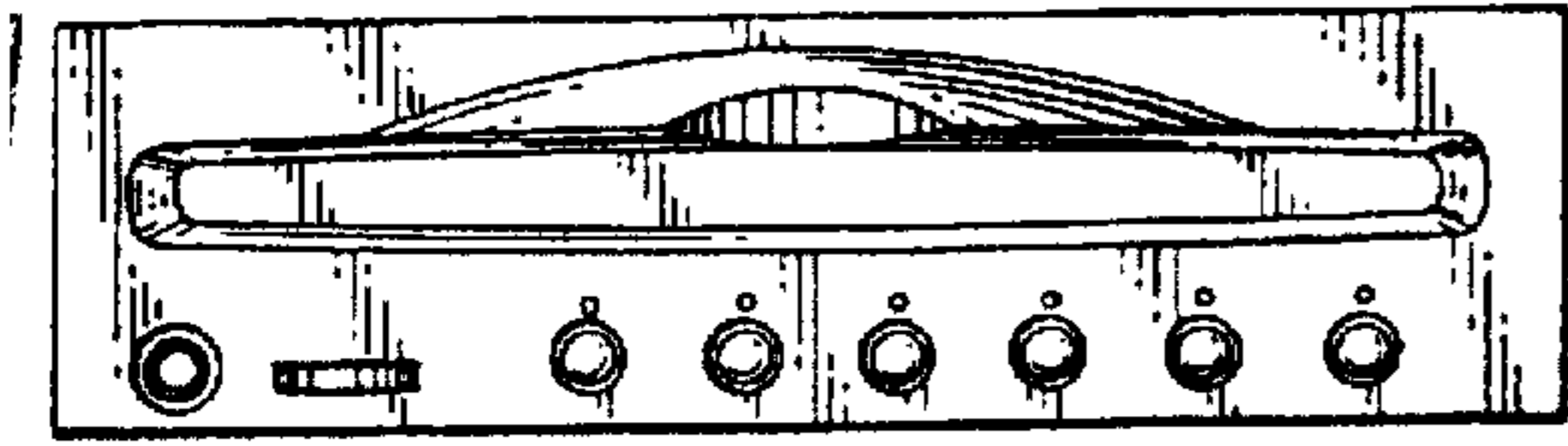


FIG. 3

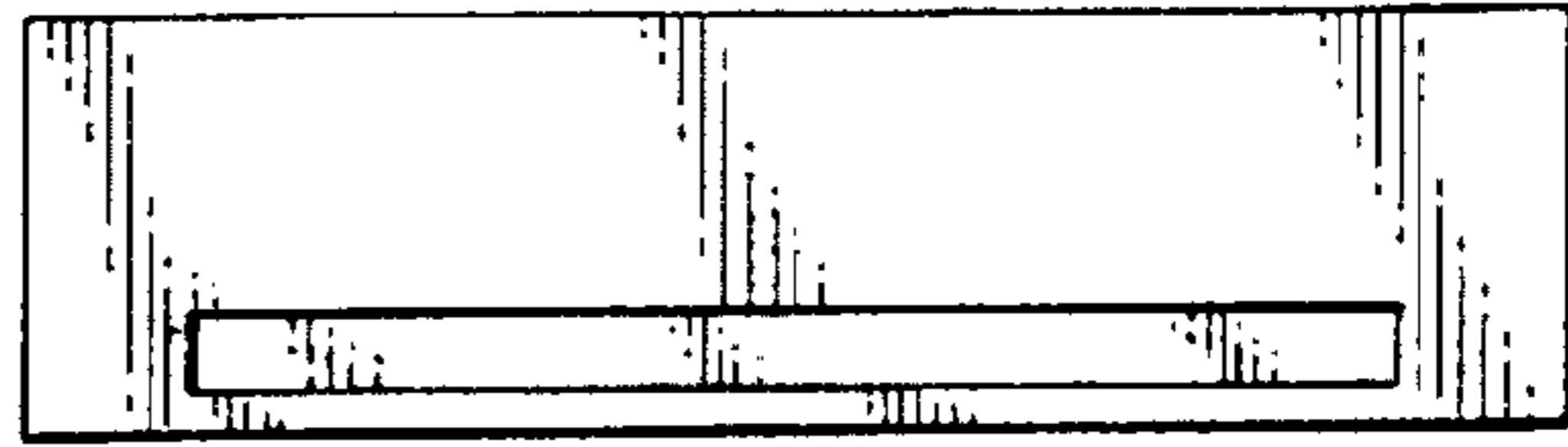


FIG. 4

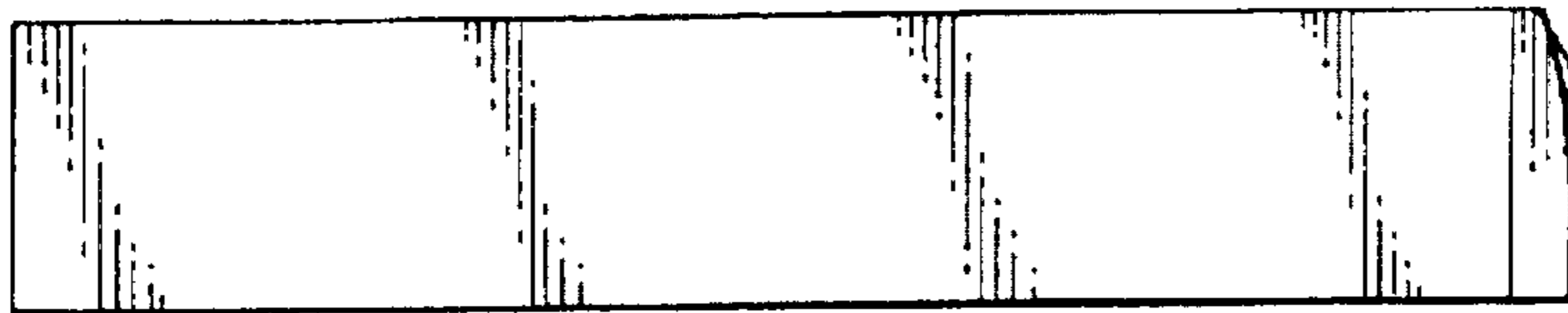


FIG. 5

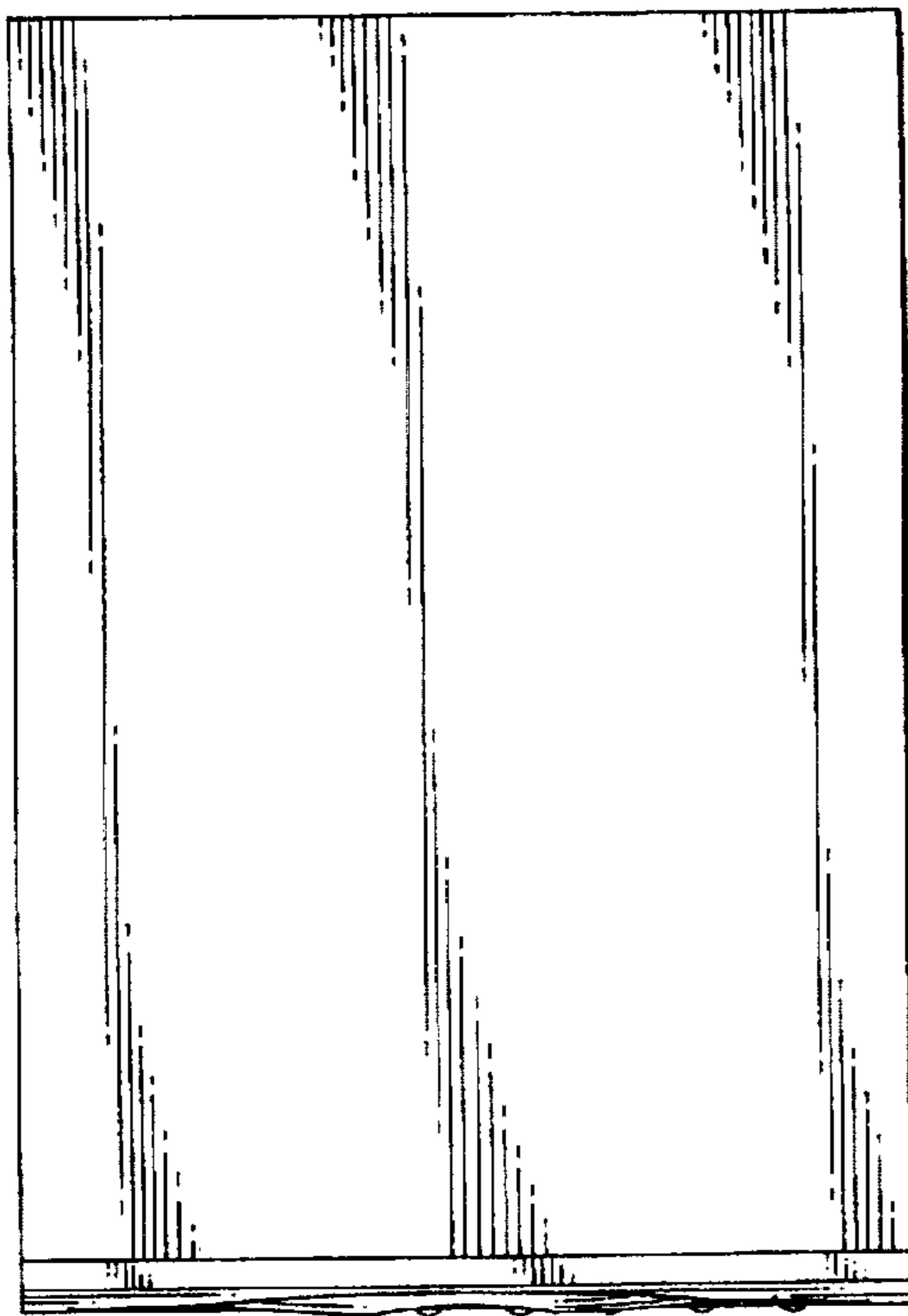


FIG. 6

