



US00D391951S

United States Patent [19]
Rosen

[11] **Patent Number: Des. 391,951**
[45] **Date of Patent: **Mar. 10, 1998**

[54] **STOWABLE TABLE TOP MONITOR**
[75] **Inventor: John B. Rosen, Eugene, Oreg.**
[73] **Assignee: Advanced Multimedia Products Corporation, Eugene, Oreg.**
[**] **Term: 14 Years**
[21] **Appl. No.: 62,394**
[22] **Filed: Nov. 14, 1996**
[51] **LOC (6) Cl. 14-03**
[52] **U.S. Cl. D14/132; D6/513; D14/113; D14/126**
[58] **Field of Search D14/113, 124-134, D14/239, 299; D12/418, 421, 345; D24/158; 312/7.2; 348/827, 825, 836, 837; 248/917-924; D6/513**

5,179,447 1/1993 Lain .
5,195,709 3/1993 Yasushi .
5,222,780 6/1993 Reh et al. .
5,271,590 12/1993 Rosen .

Primary Examiner—Prabhakar G. Deshmukh
Assistant Examiner—Richelle Shelton
Attorney, Agent, or Firm—Kolisch, Hartwell, Dickinson, McCormack & Heuser

[57] **CLAIM**

The ornamental design for a stowable table top monitor, as shown and described.

DESCRIPTION

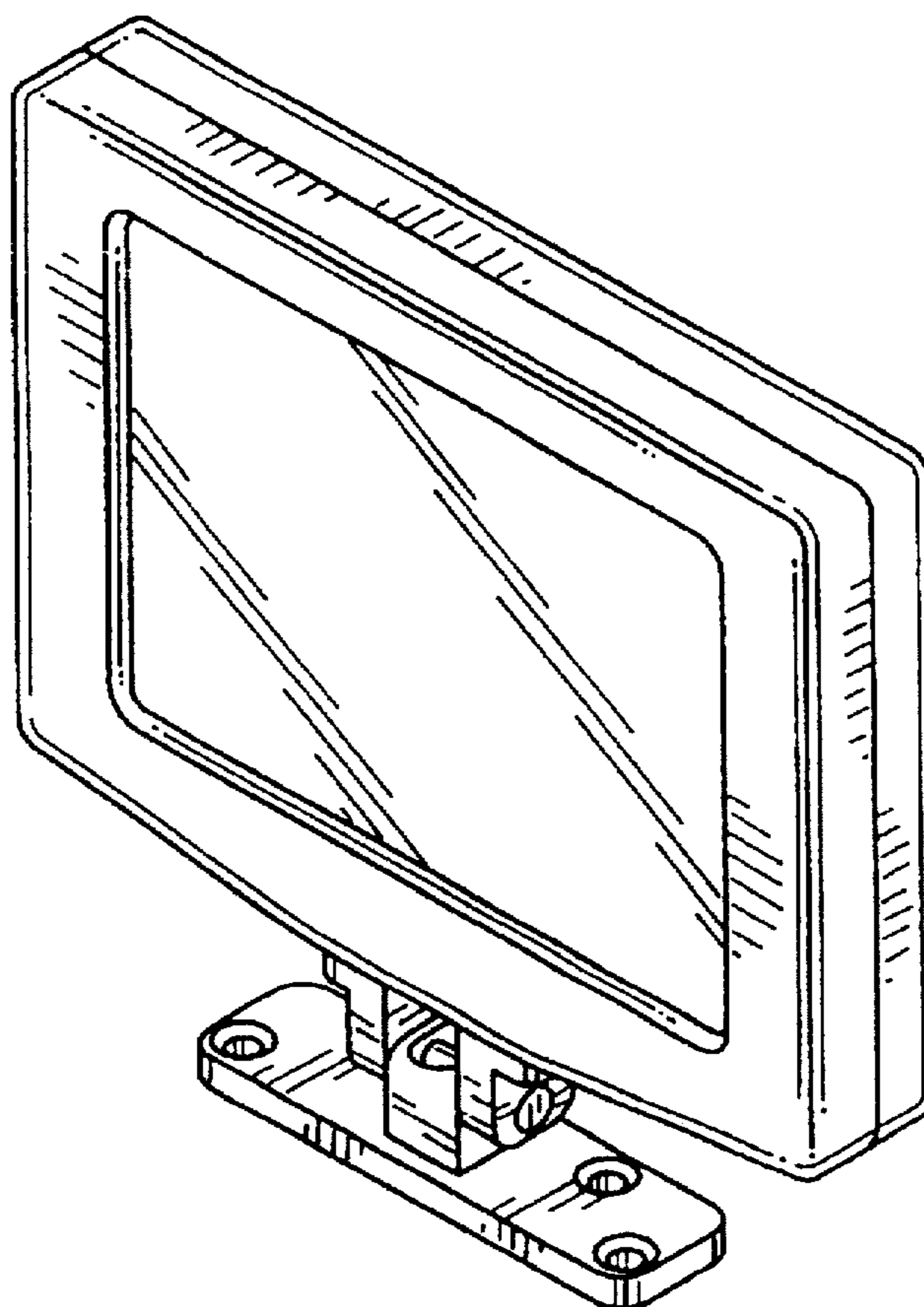
FIG. 1 is an isometric view of a stowable table top monitor showing my new design;
FIG. 2 is a front view of the monitor shown in FIG. 1;
FIG. 3 is a top view thereof;
FIG. 4 is a bottom view thereof;
FIG. 5 is a rear view thereof;
FIG. 6 is a right side view of the monitor in a table top environment, the left side view being a mirror image thereof; and,
FIG. 7 is a right side view of the monitor showing the monitor stowed in a table top.
The broken line showing of a table in FIGS. 6 and 7 is for illustrative purposes only and forms no part of the claimed design.

[56] **References Cited**

U.S. PATENT DOCUMENTS

- D. 274,728 7/1984 Shibata D14/113
- D. 311,825 11/1990 Stewart D6/310
- D. 340,235 10/1993 Robak et al. .
- D. 344,933 3/1994 Wiseman et al. D14/113
- D. 356,077 3/1995 Harada et al. D14/126
- D. 360,126 7/1995 Rosen .
- D. 367,477 2/1996 Rosen .
- 5,076,524 12/1991 Reh et al. .
- 5,177,616 1/1993 Riday .

1 Claim, 2 Drawing Sheets



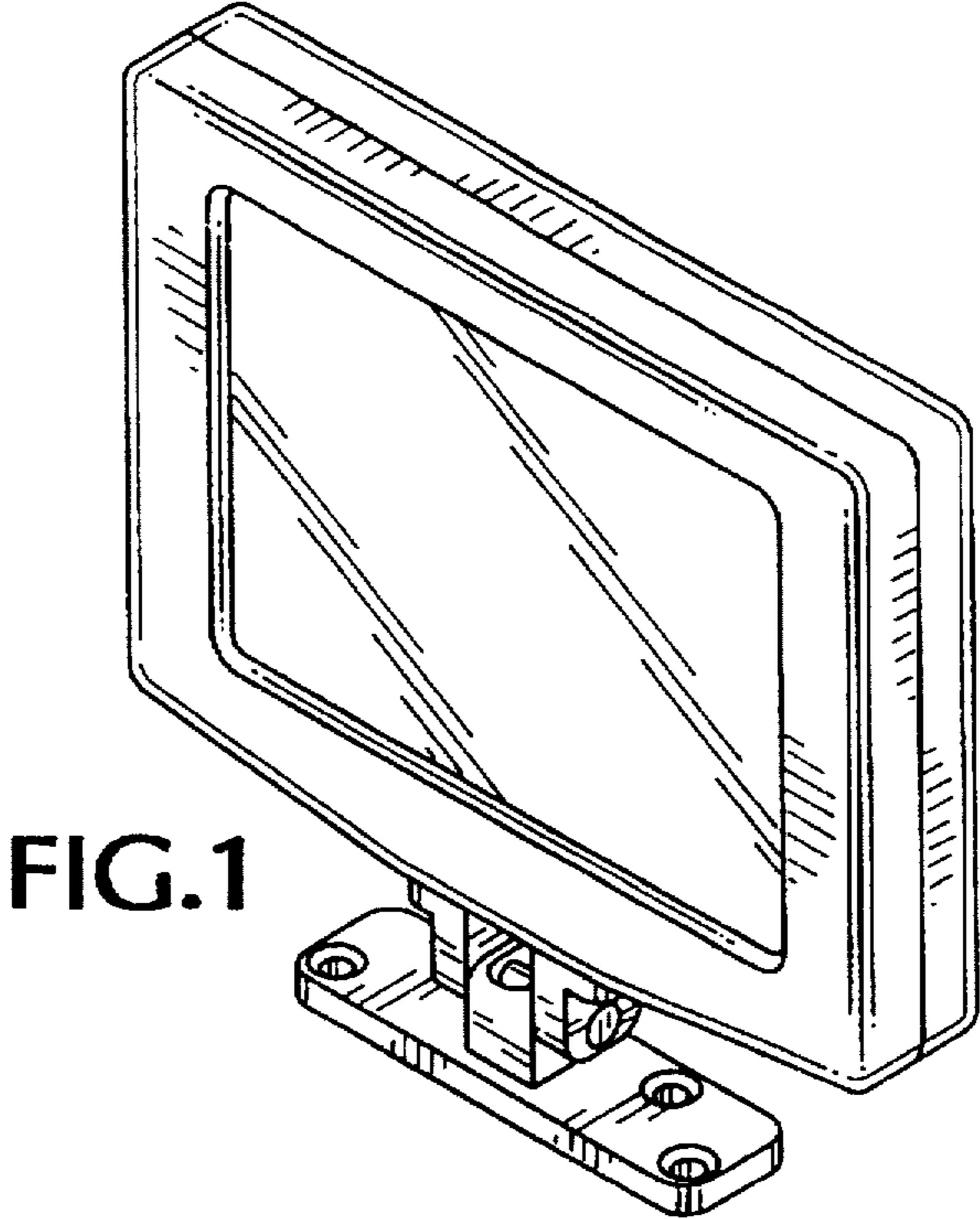


FIG. 1

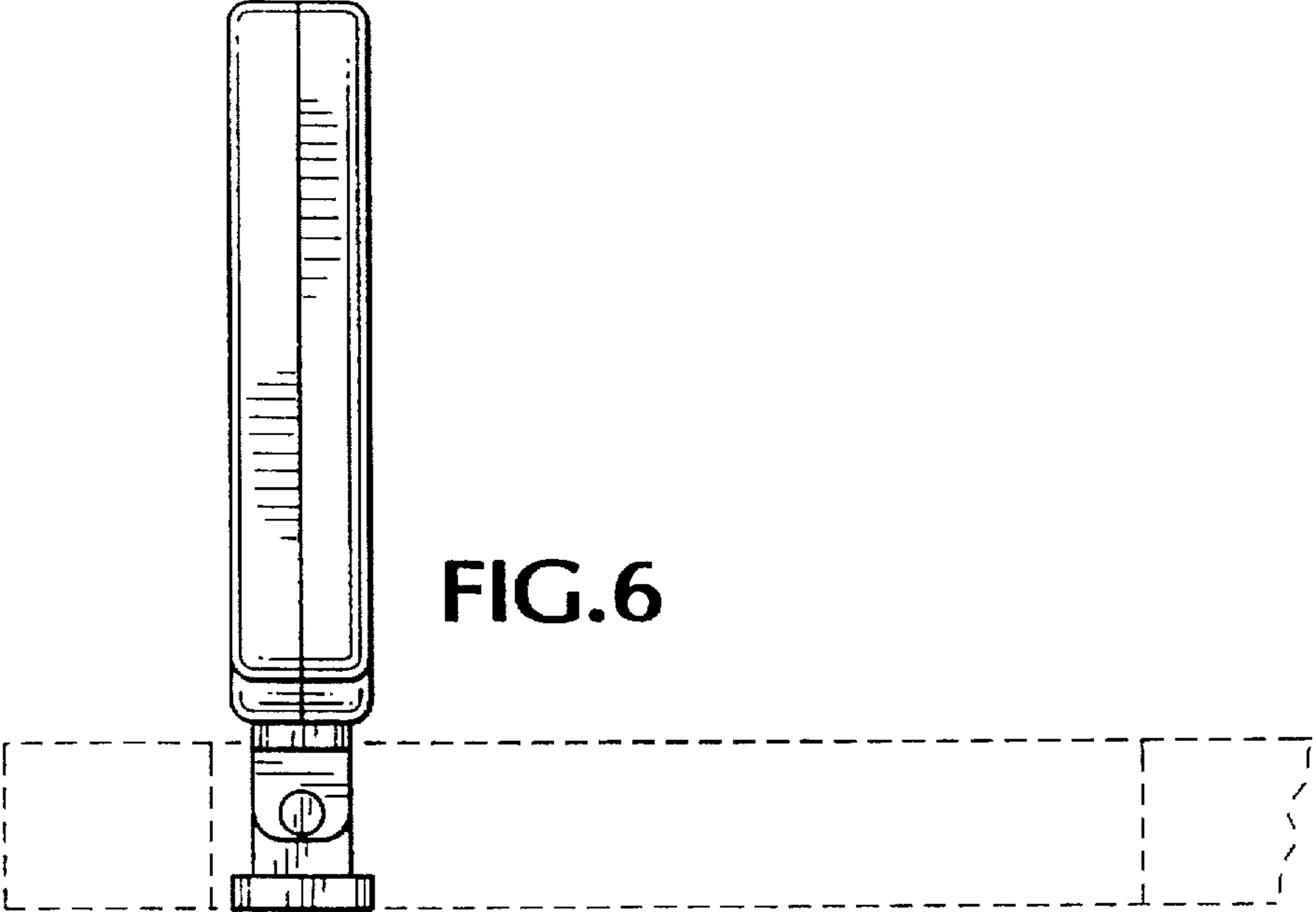


FIG. 6

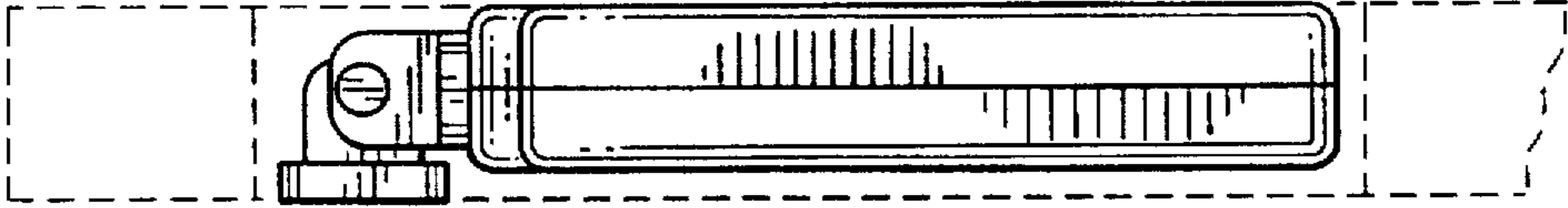


FIG. 7

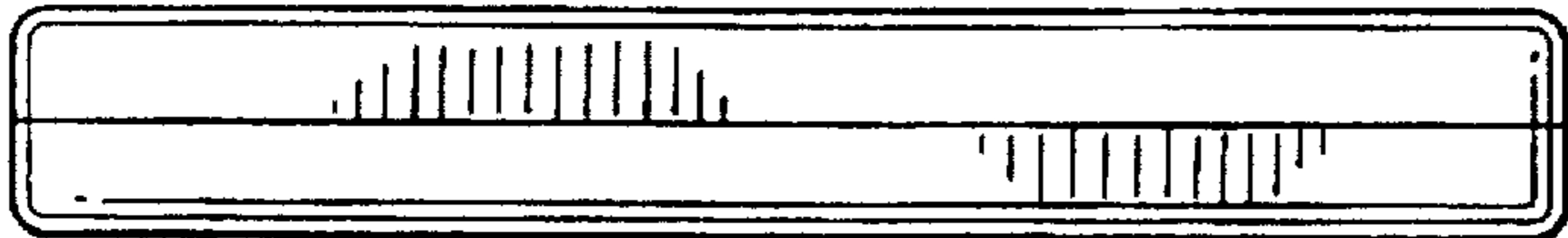


FIG.3

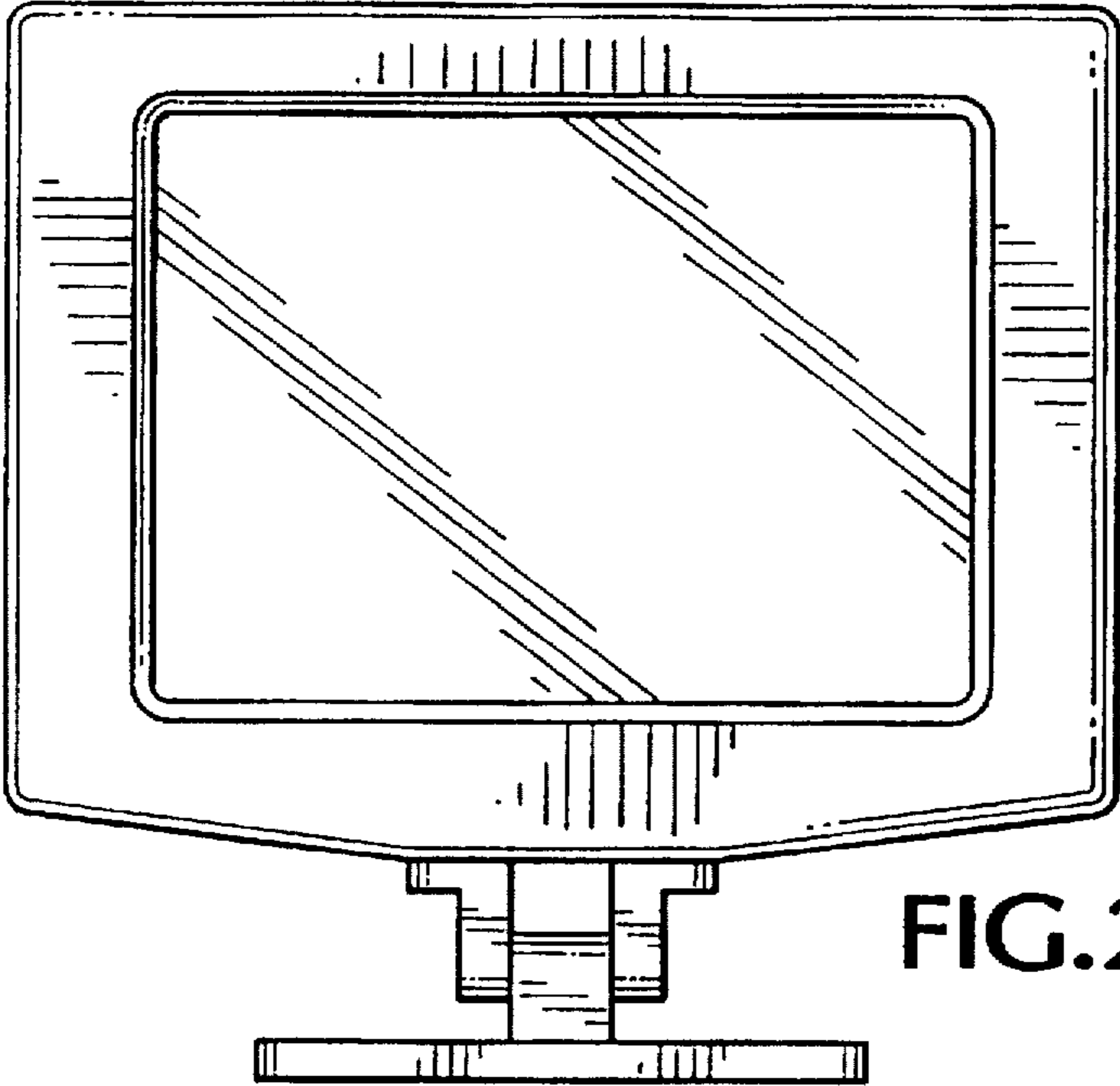


FIG.2



FIG.4

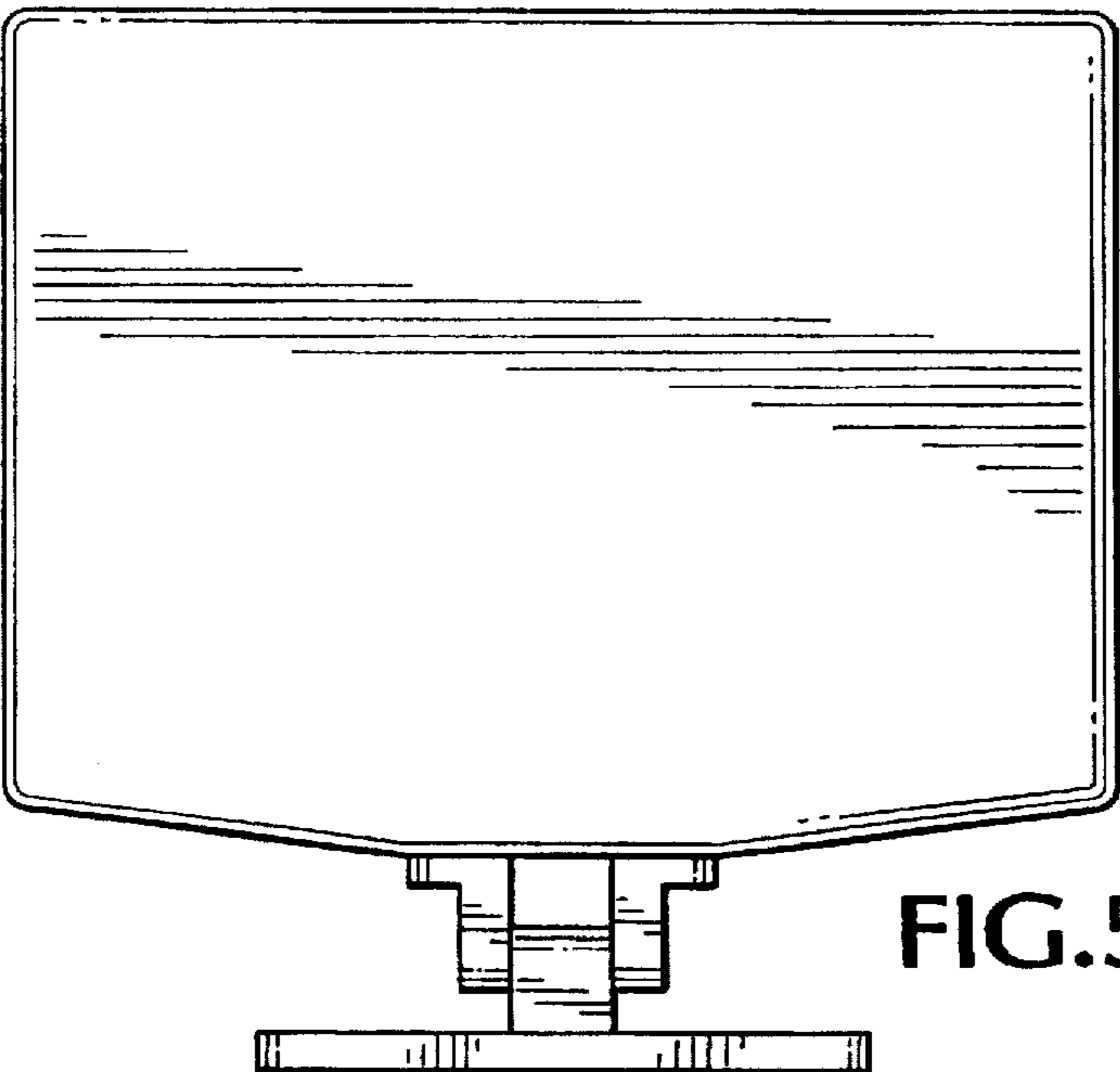


FIG.5