



US00D391946S

United States Patent [19]
Rosen

[11] **Patent Number: Des. 391,946**
[45] **Date of Patent: **Mar. 10, 1998**

[54] **GRIPPABLE MONITOR SUPPORT**

5,311,302 5/1994 Berry et al. .
5,547,248 8/1996 Marechal .

[75] **Inventor: John B. Rosen, Eugene, Oreg.**

Primary Examiner—Kay H. Chin
Attorney, Agent, or Firm—Kolisch, Hartwell, Dickinson,
McCormack & Heuser

[73] **Assignee: Adanced Multimedia Products Corporation, Eugene, Oreg.**

[**] **Term: 14 Years**

[57] **CLAIM**

[21] **Appl. No.: 67,810**

The ornamental design for a grippable monitor support, as shown and described.

[22] **Filed: Mar. 14, 1997**

DESCRIPTION

[51] **LOC (6) Cl. 14-02**

[52] **U.S. Cl. D14/114; D8/349**

[58] **Field of Search D14/100-114;**
248/281.11, 278.1, 280.11, 917-920, 284.1,
285.1, 286.1; 361/680-686; D19/91; 348/837,
827; D8/354, 373, 349, 363

FIG. 1 is a front view of a grippable monitor support constructed in accordance with a preferred embodiment of the invention, the monitor support being shown in a stowed orientation with a monitor indicated by dashed lines for illustrative purposes only;

FIG. 2 is a left side view of the grippable monitor support shown in FIG. 1;

FIG. 3 is a right side view thereof;

FIG. 4 is a top view thereof;

FIG. 5 is a bottom view thereof; and,

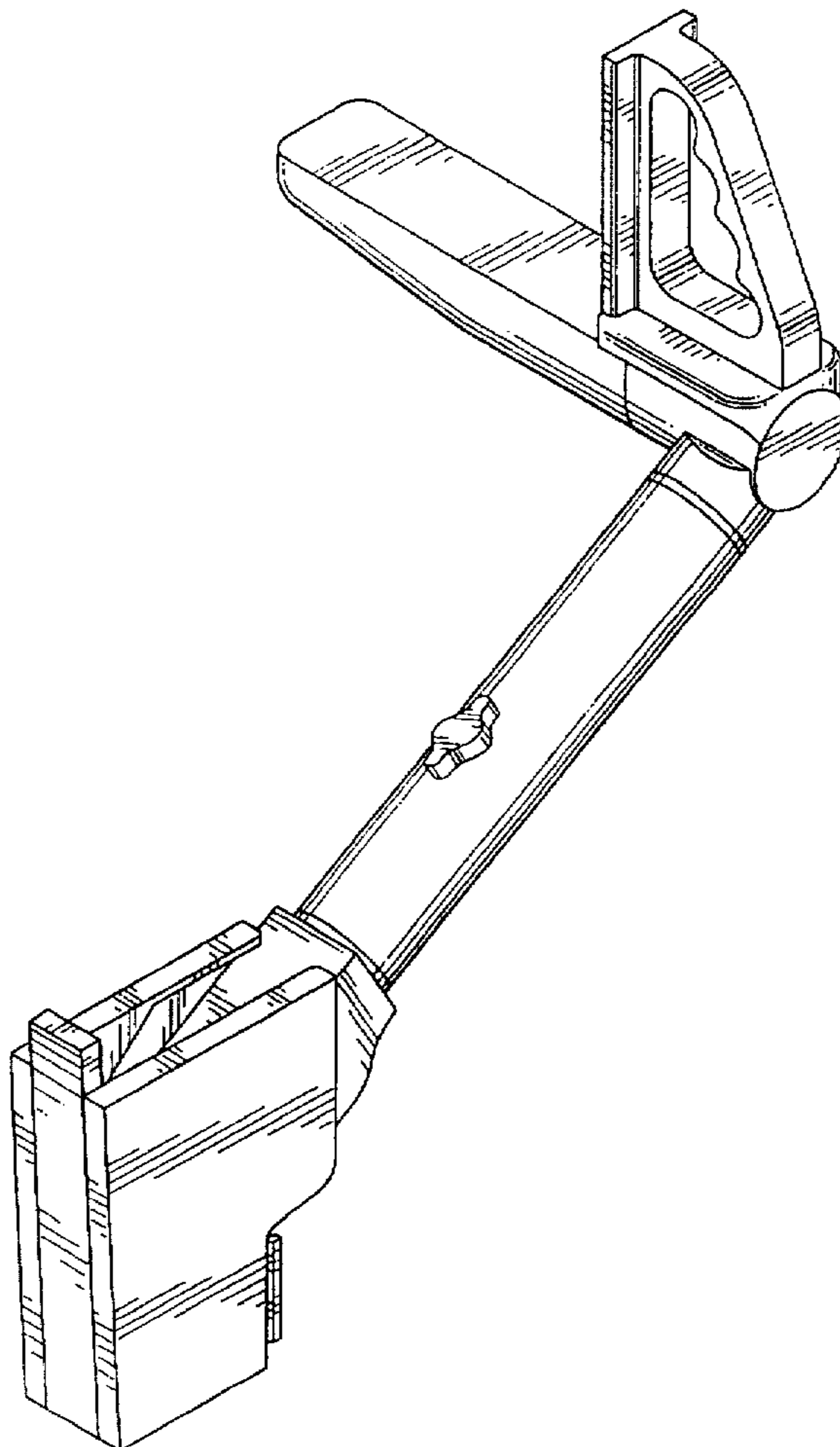
FIG. 6 is an isometric view of the grippable monitor support shown in FIG. 1, but with the monitor support in a display orientation.

[56] **References Cited**

U.S. PATENT DOCUMENTS

D. 347,841	6/1994	Rossmann et al.	D14/114
D. 376,590	12/1996	Kao et al.	D14/114
4,620,808	11/1986	Kurtin et al. .	
4,836,486	6/1989	Vossoughi et al. .	
5,177,616	1/1993	Riday .	
5,179,447	1/1993	Lain .	

1 Claim, 2 Drawing Sheets



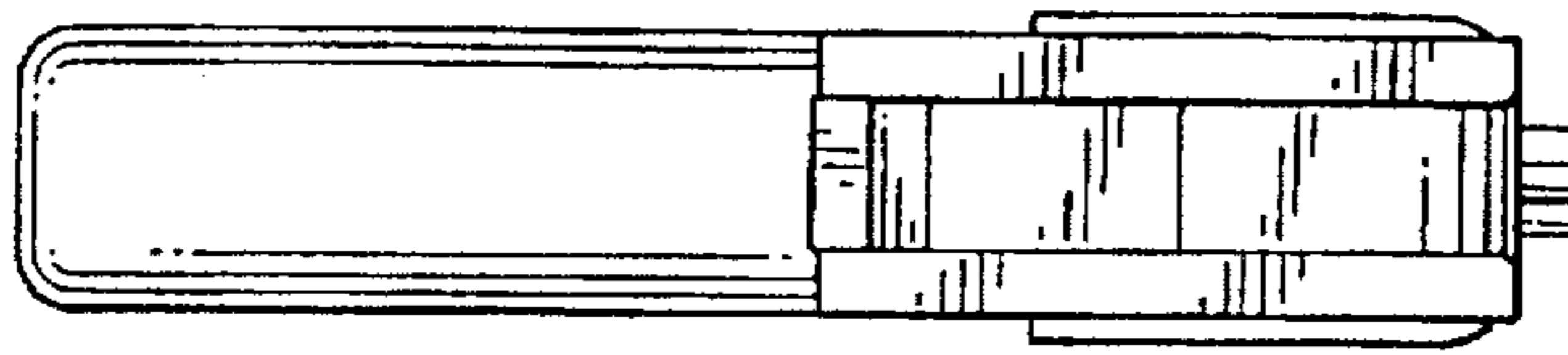


FIG. 4

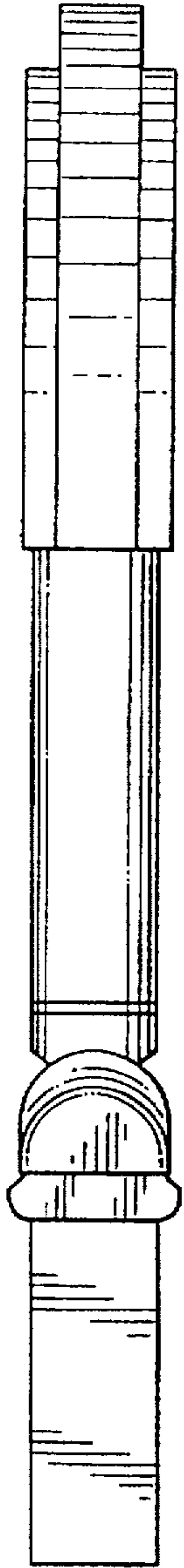


FIG. 2

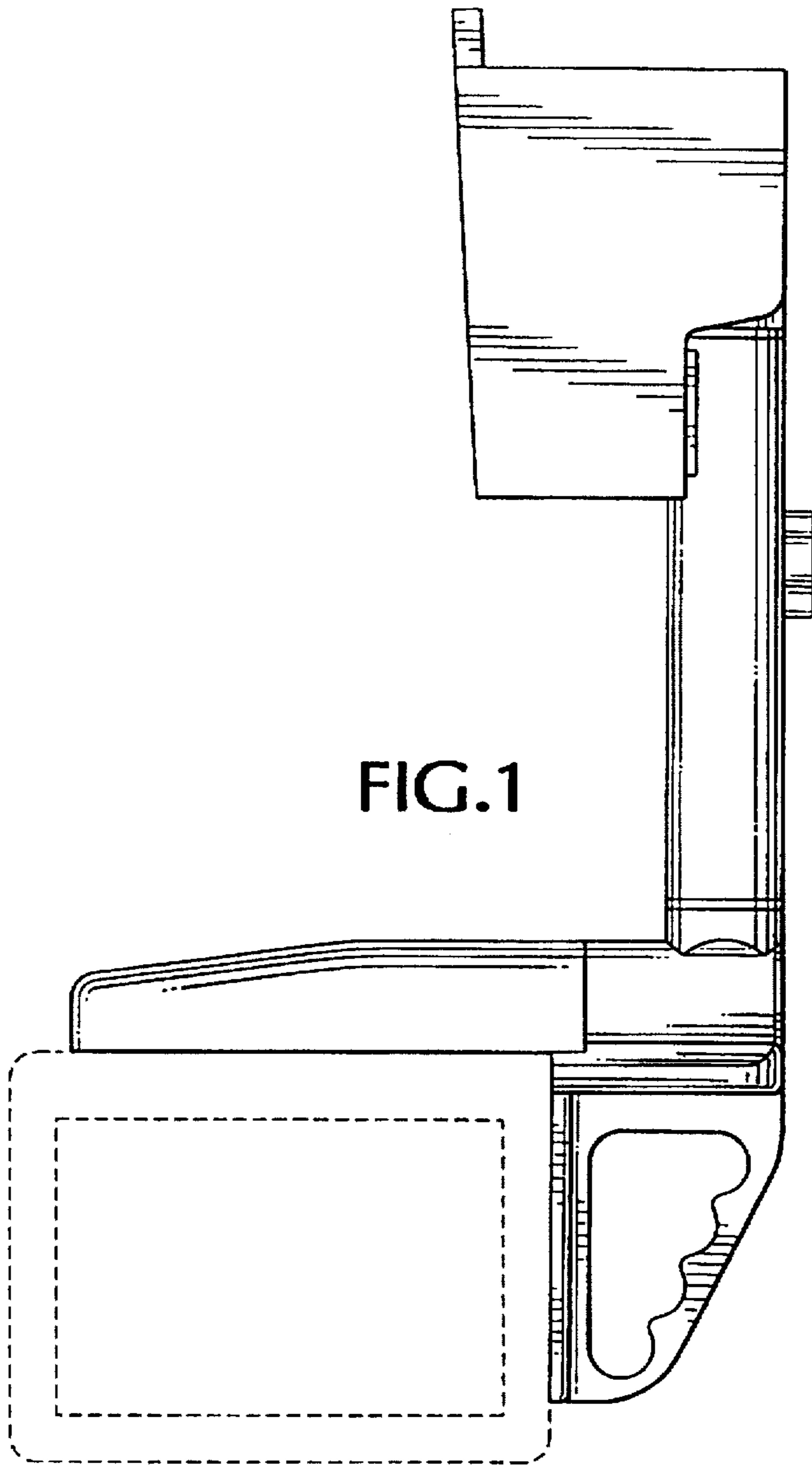


FIG. 1

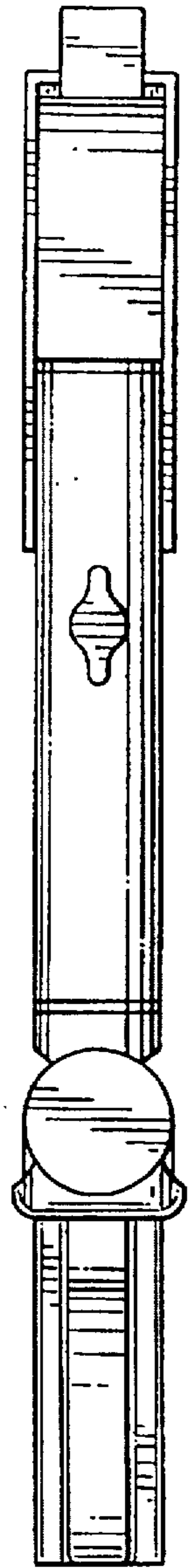


FIG. 3

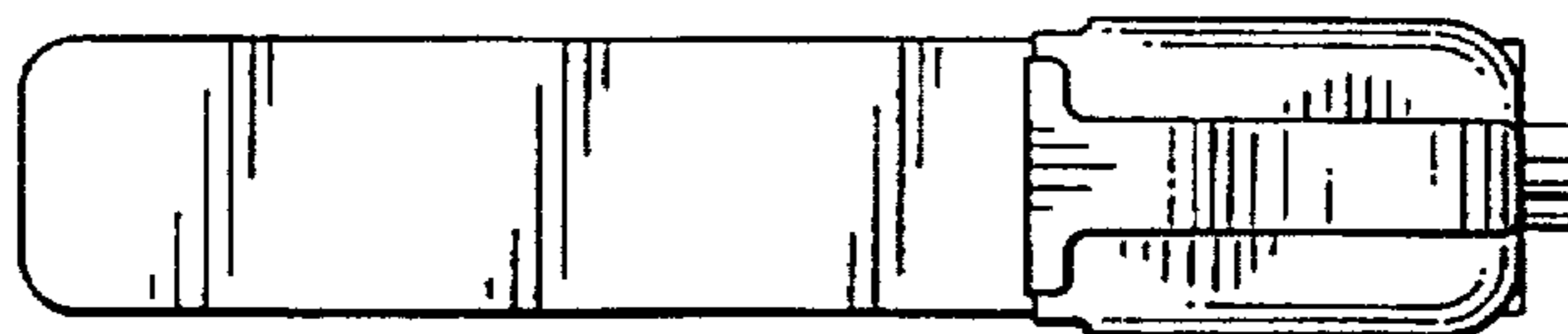


FIG. 5

