

US00D391939S

United States Patent [19]
Pappas

[11] **Patent Number: Des. 391,939**
[45] **Date of Patent: **Mar. 10, 1998**

[54] **COMPUTER KEYBOARD MOUSE PAD BRIDGE**

5,413,294 5/1995 Greenquist 248/127
5,492,298 2/1996 Walker 248/346.01

[75] **Inventor: Peter A. Pappas, Campbell, Calif.**

Primary Examiner—Kay H. Chin
Attorney, Agent, or Firm—Fliesler, Dubb, Meyer & Lovejoy

[73] **Assignee: Source 1 Ergonomics, Santa Clara, Calif.**

[57] **CLAIM**

[**] **Term: 14 Years**

The ornamental design for a computer keyboard mouse pad bridge, as shown.

[21] **Appl. No.: 54,806**

DESCRIPTION

[22] **Filed: May 22, 1996**

FIG. 1 is a perspective view of a computer keyboard mouse pad bridge showing my new design;
FIG. 2 is a top plane view thereof;
FIG. 3 is a rear elevation view thereof;
FIG. 4 is a bottom plane view thereof;
FIG. 5 is a rear elevation view of FIG. 4;
FIG. 6 is the left side elevation view of FIG. 1; and,
FIG. 7 is the right side elevation view of FIG. 1.

[51] **LOC (6) Cl. 14-02**

[52] **U.S. Cl. D14/114**

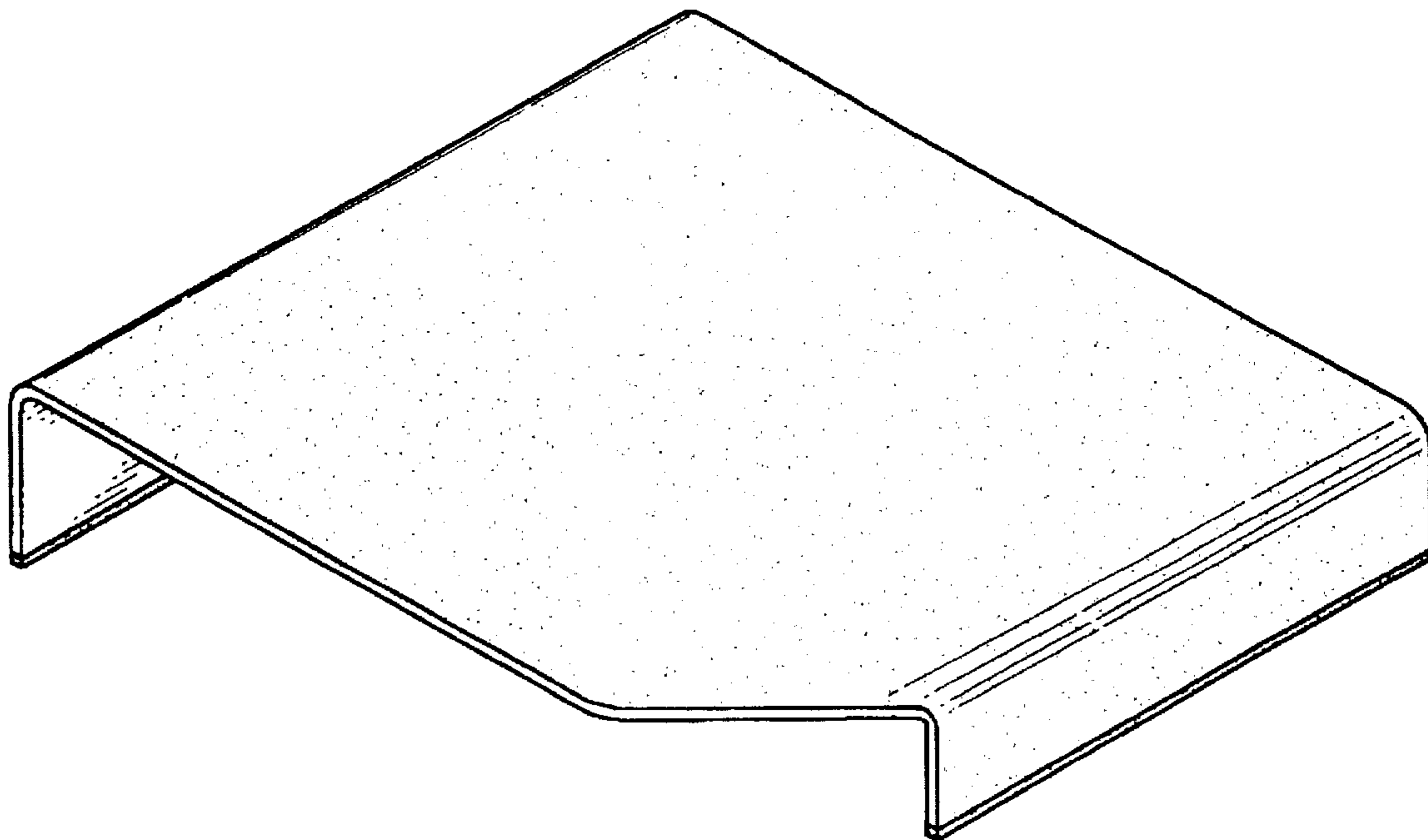
[58] **Field of Search D14/100-114;**
248/127, 371, 396, 398, 346.01, 676, 118.1,
918, 463, 464, 250, 919; D13/184, 199

[56] **References Cited**

U.S. PATENT DOCUMENTS

D. 368,081 3/1996 Comley D14/114

1 Claim, 2 Drawing Sheets



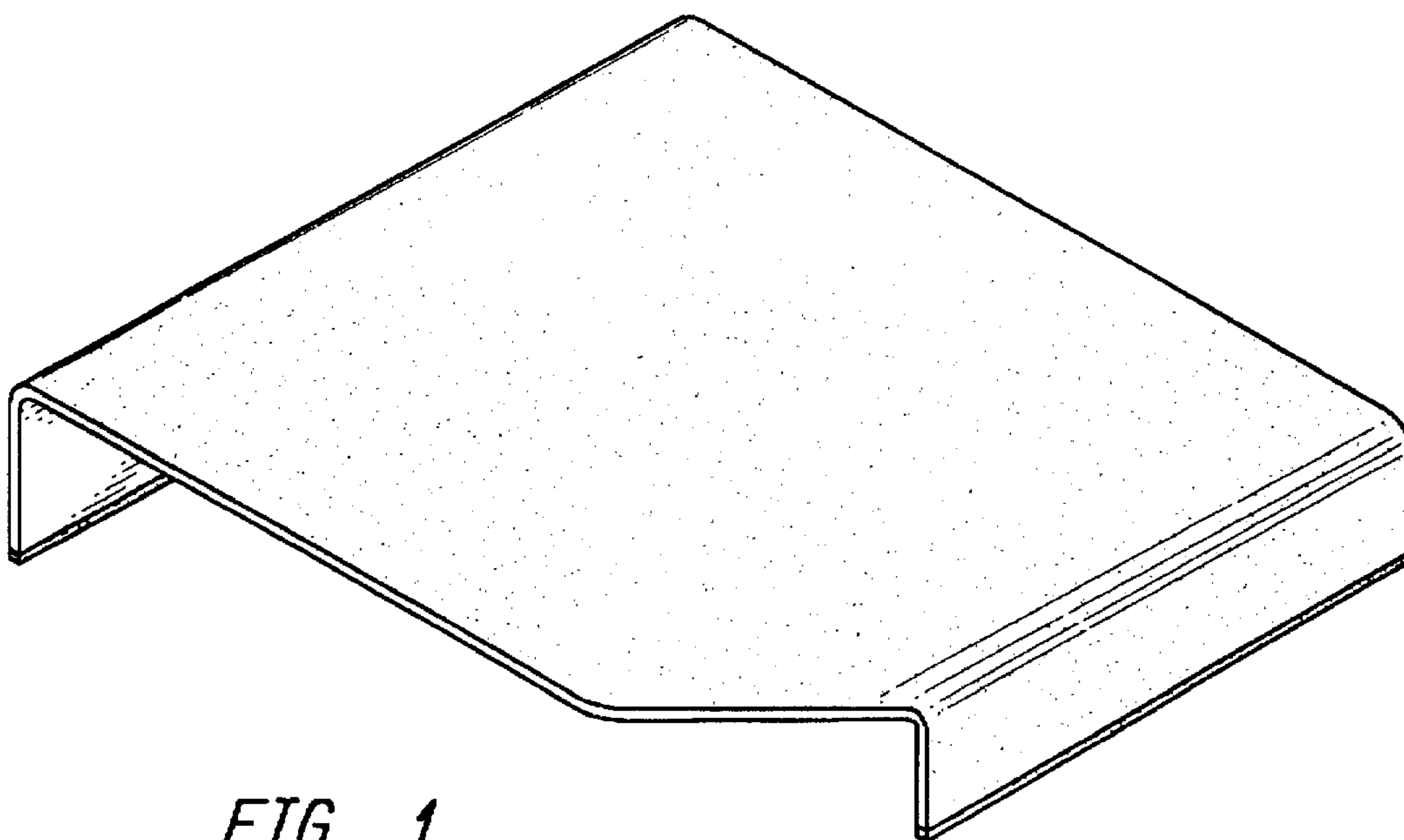


FIG. 1

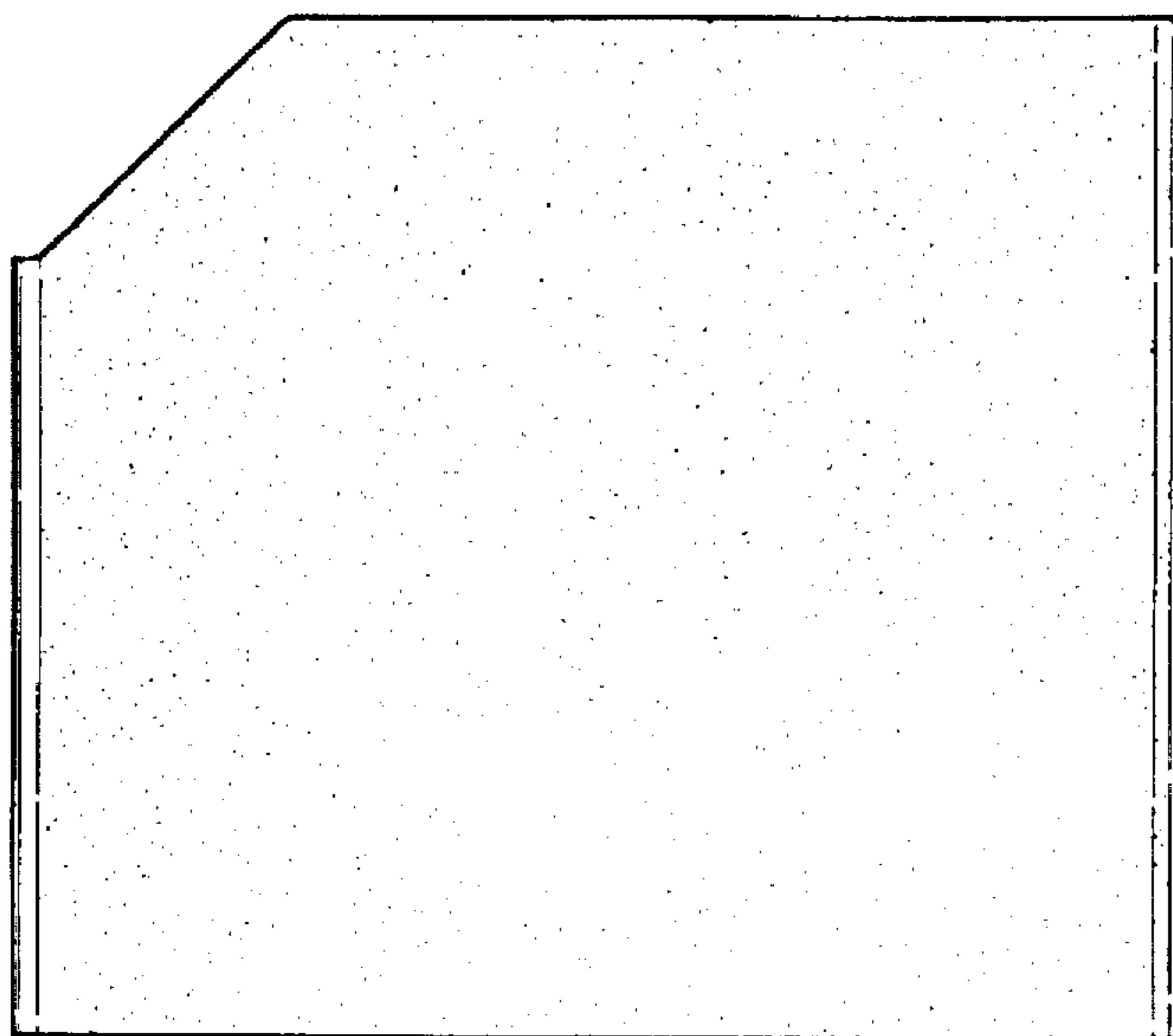


FIG. 2

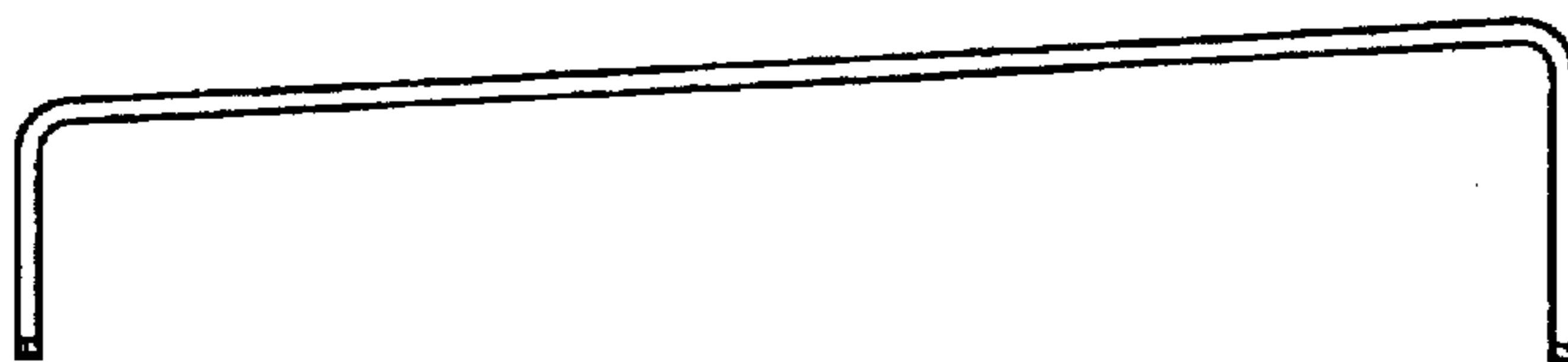


FIG. 3

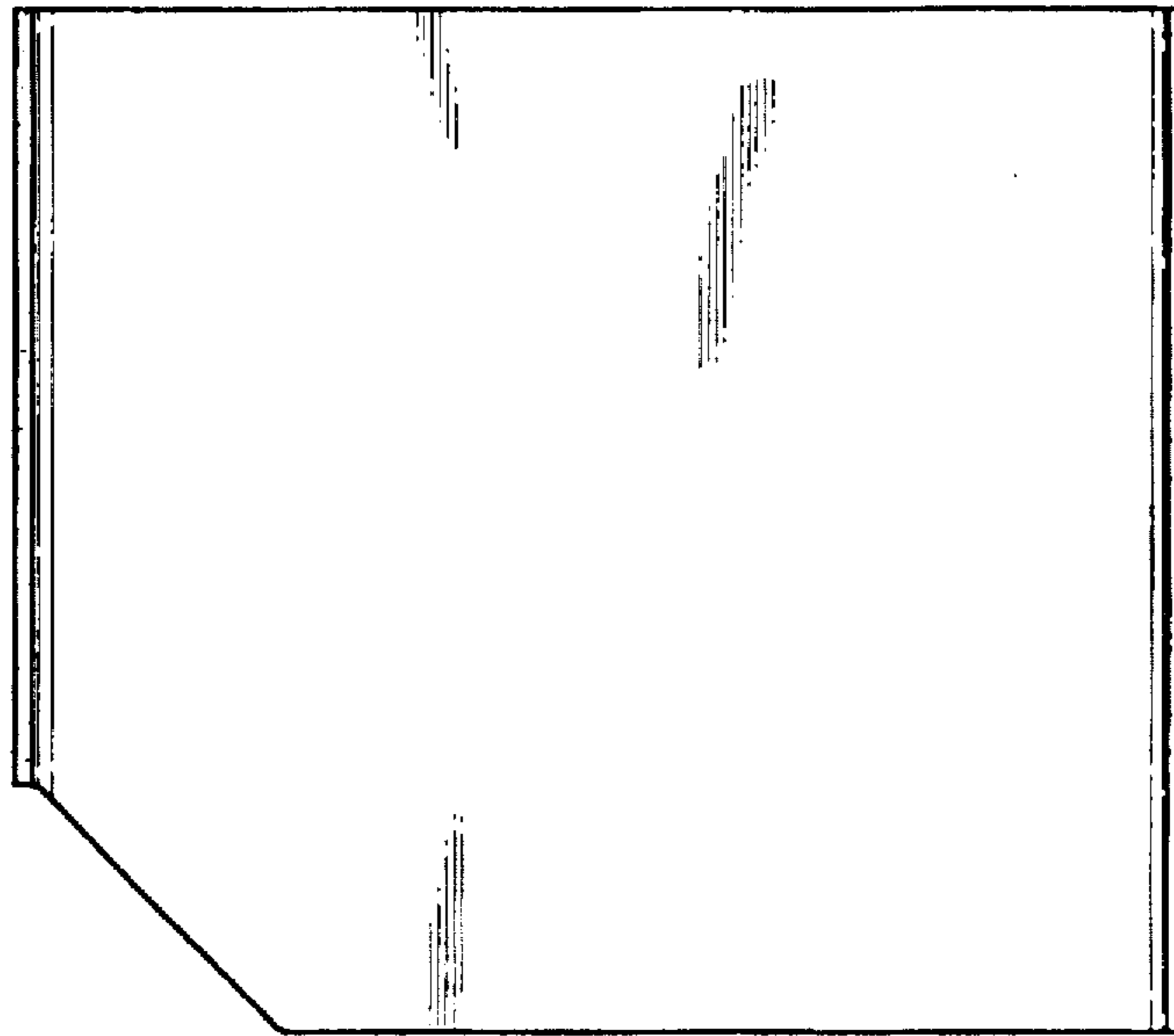


FIG. 4



FIG. 5

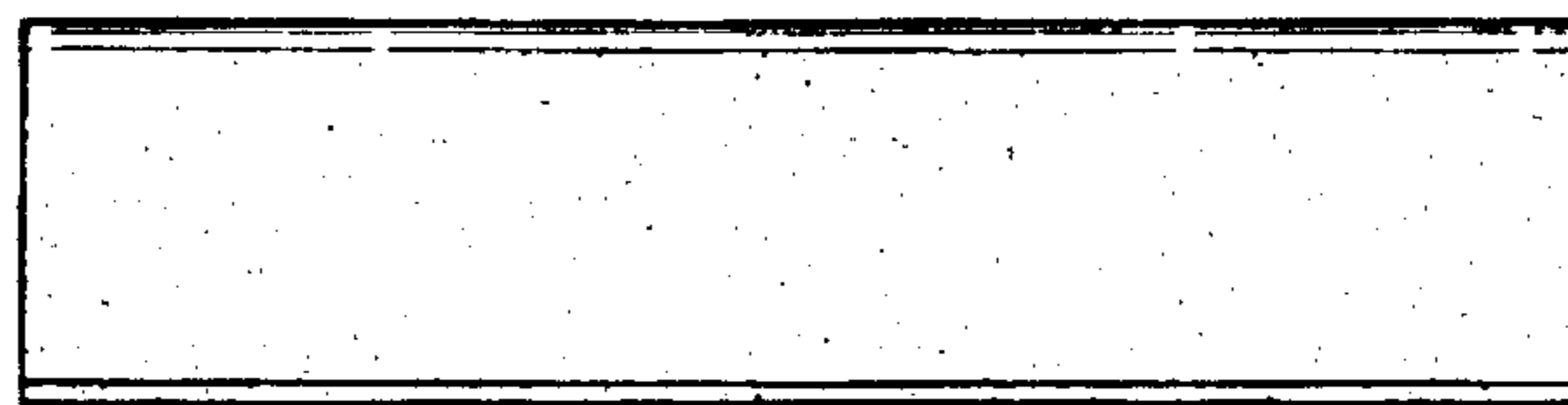


FIG. 6

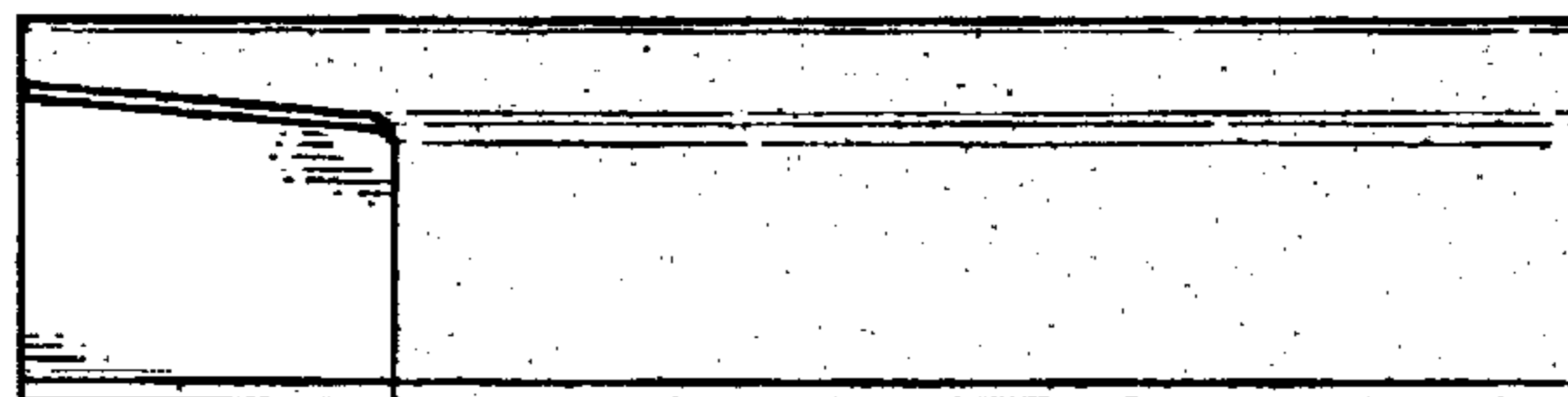


FIG. 7