

US00D391937S

# United States Patent [19] Rosen

[11] Patent Number: **Des. 391,937**  
[45] Date of Patent: **\*\*Mar. 10, 1998**

[54] **MONITOR SUPPORT**  
[75] Inventor: **John B. Rosen**, Eugene, Oreg.  
[73] Assignee: **Advanced Multimedia Products Corporation**, Eugene, Oreg.  
[\*\*] Term: **14 Years**

4,836,486 6/1989 Vossoughi et al. .  
5,076,524 12/1991 Reh et al. .  
5,177,616 1/1993 Riday .  
5,179,447 1/1993 Lain .  
5,195,709 3/1993 Yasushi .  
5,222,780 6/1993 Reh et al. .  
5,271,590 12/1993 Rosen .

### FOREIGN PATENT DOCUMENTS

[21] Appl. No.: **53,324**  
[22] Filed: **Apr. 19, 1996**

WO 90/10403 9/1990 WIPO .

*Primary Examiner*—Kay H. Chin  
*Attorney, Agent, or Firm*—Kolisch, Hartwell, Dickinson, McCormack & Heuser

[51] **LOC (6) Cl.** ..... **14-02**  
[52] **U.S. Cl.** ..... **D14/114; D8/349**  
[58] **Field of Search** ..... **D14/100-114;**  
248/281.11, 278.1, 280.11, 917-920, 284.1,  
285.1, 286.1; 361/680-686; D19/91; 348/837,  
827; D8/354, 373, 349, 363

### [57] CLAIM

The ornamental design for a monitor support, as shown and described.

### DESCRIPTION

FIG. 1 is a perspective view of a monitor support showing my new design, the broken lines are for illustrative purposes only and form no part of the claimed design;  
FIG. 2 is a rear elevational view thereof;  
FIG. 3 is a top plan view thereof;  
FIG. 4 is a front elevational view thereof;  
FIG. 5 is a bottom plan view thereof;  
FIG. 6 is a right side elevational view thereof; and,  
FIG. 7 is a left side elevational view thereof.

### [56] References Cited

#### U.S. PATENT DOCUMENTS

D. 340,235 10/1993 Robak et al. .  
D. 347,841 6/1994 Rossman et al. .... D14/114  
D. 360,126 7/1995 Rosen .  
D. 367,477 2/1996 Rosen .  
D. 376,590 12/1996 Kao et al. .... D14/114  
3,291,432 12/1966 Lucasey .  
4,438,458 3/1984 Munscher .  
4,455,008 6/1984 MacKew .  
4,620,808 11/1986 Kurtin et al. .  
4,691,886 9/1987 Wendling et al. .

**1 Claim, 2 Drawing Sheets**

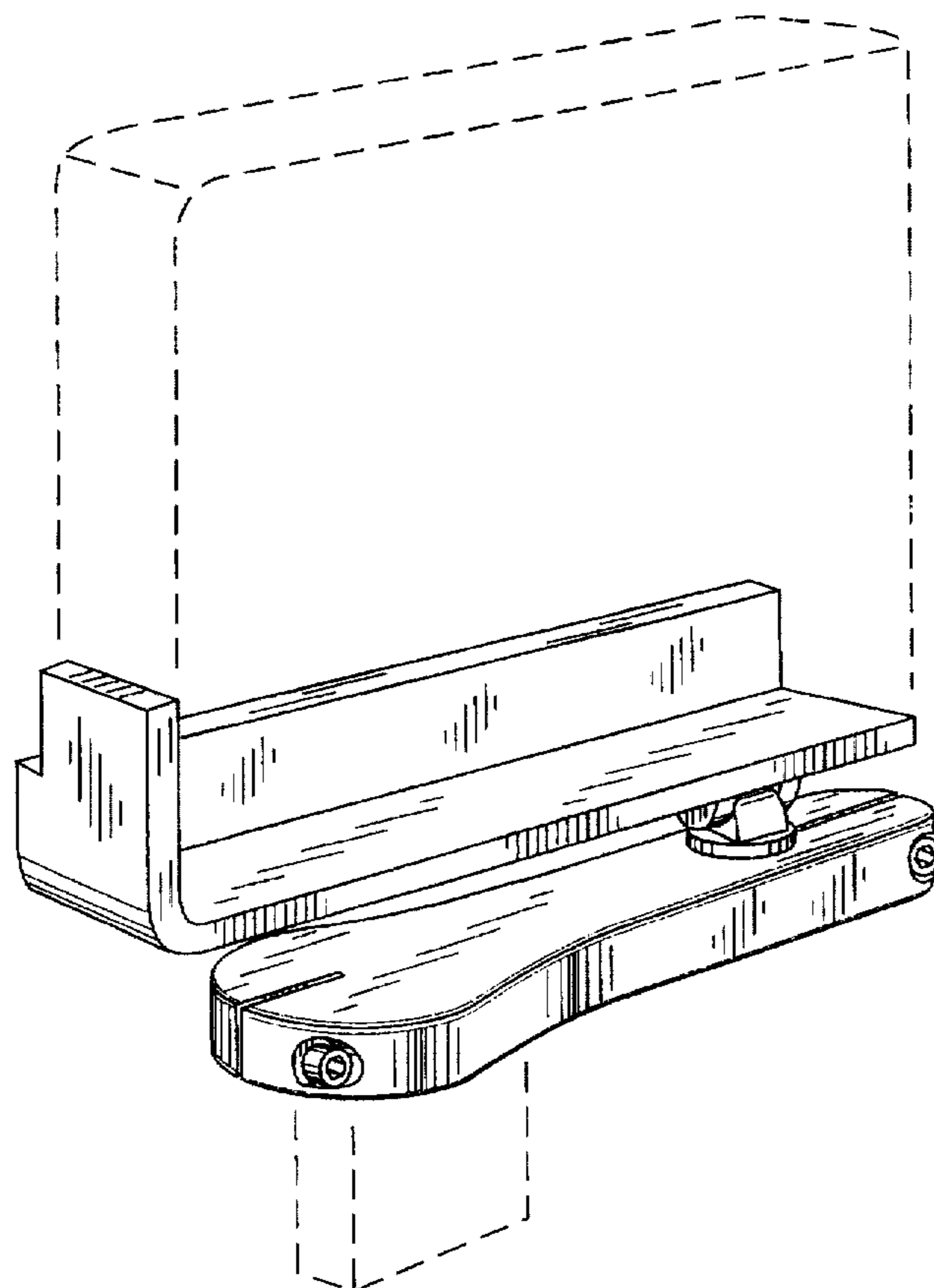


FIG.1

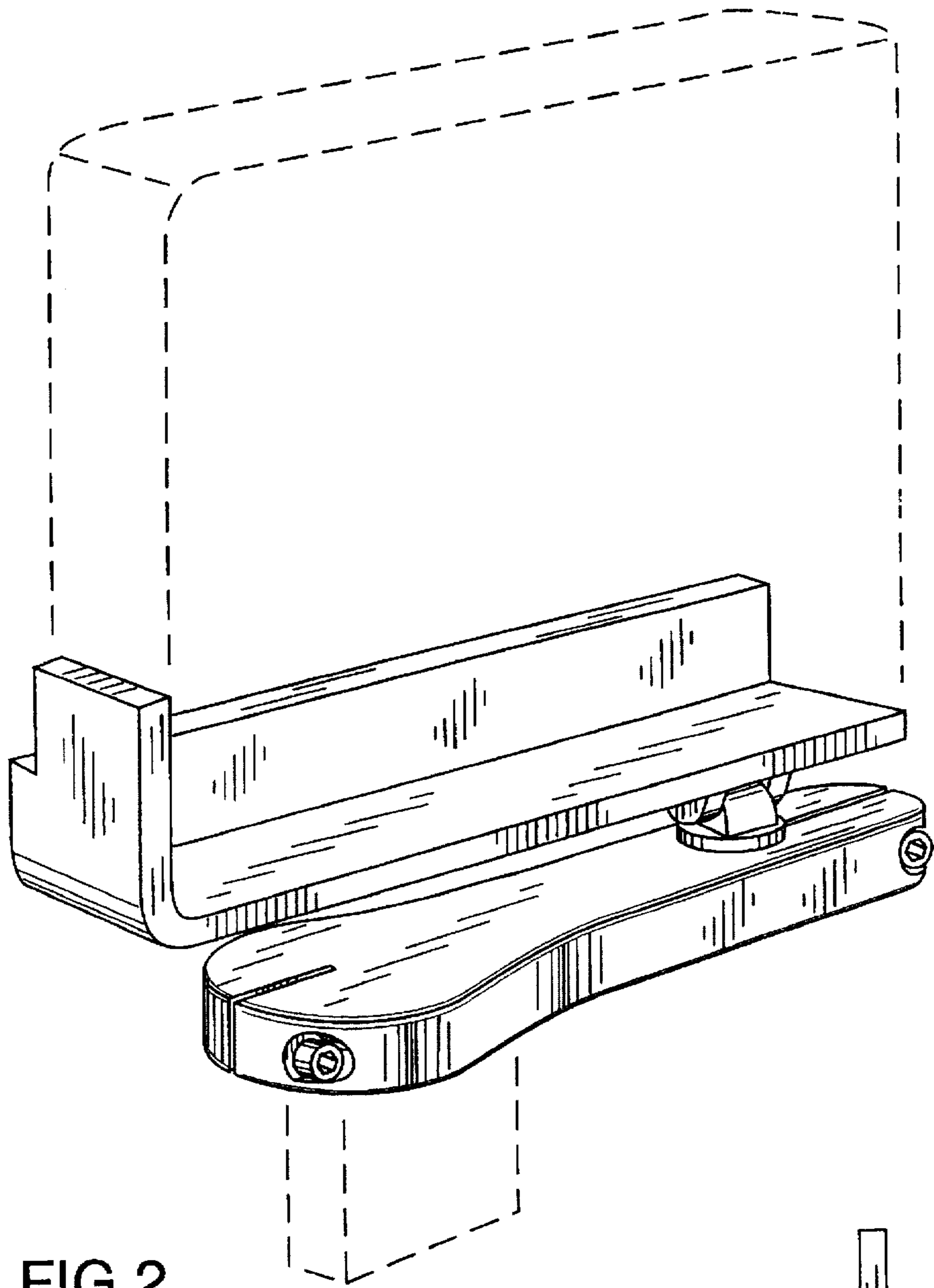


FIG.2

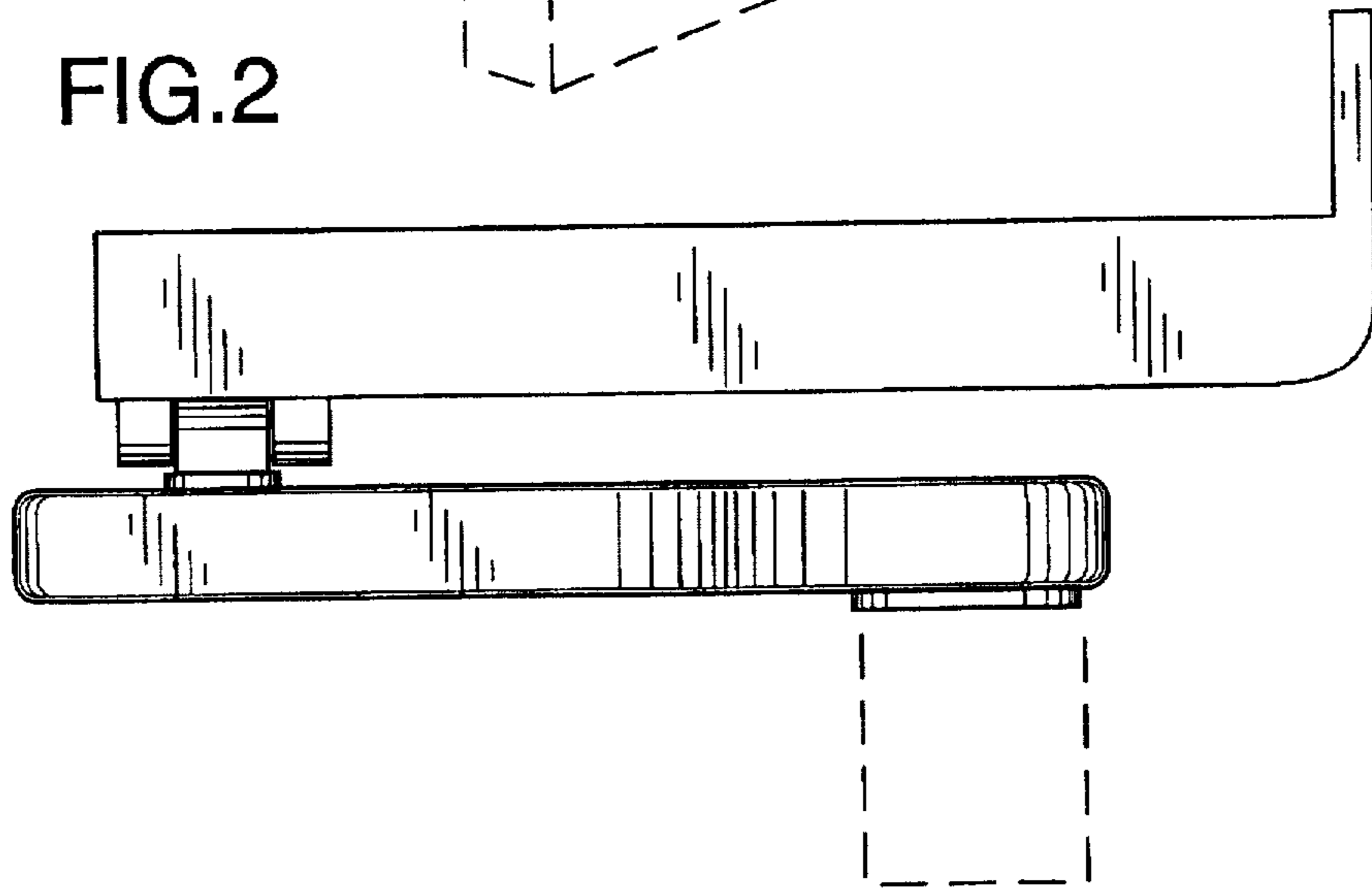


FIG.3

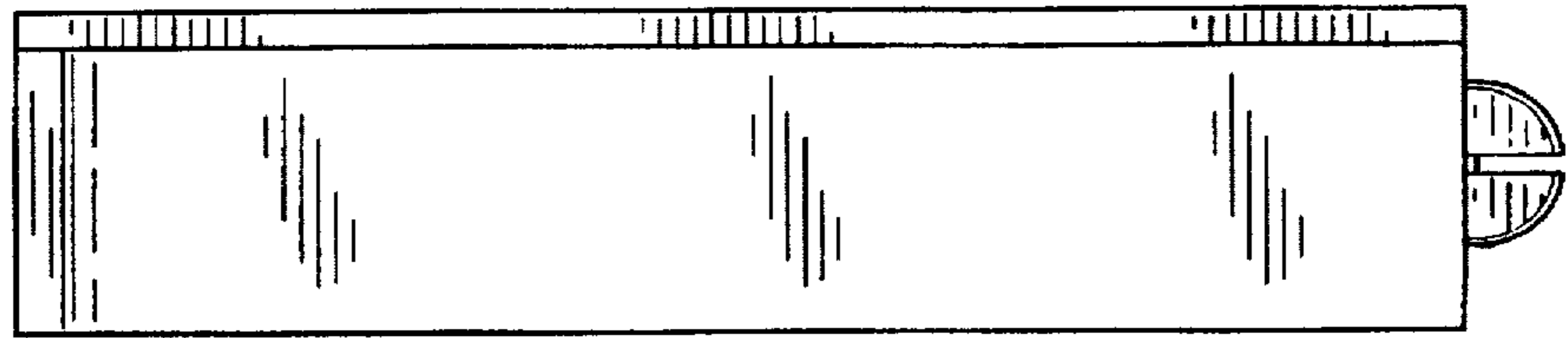


FIG.4

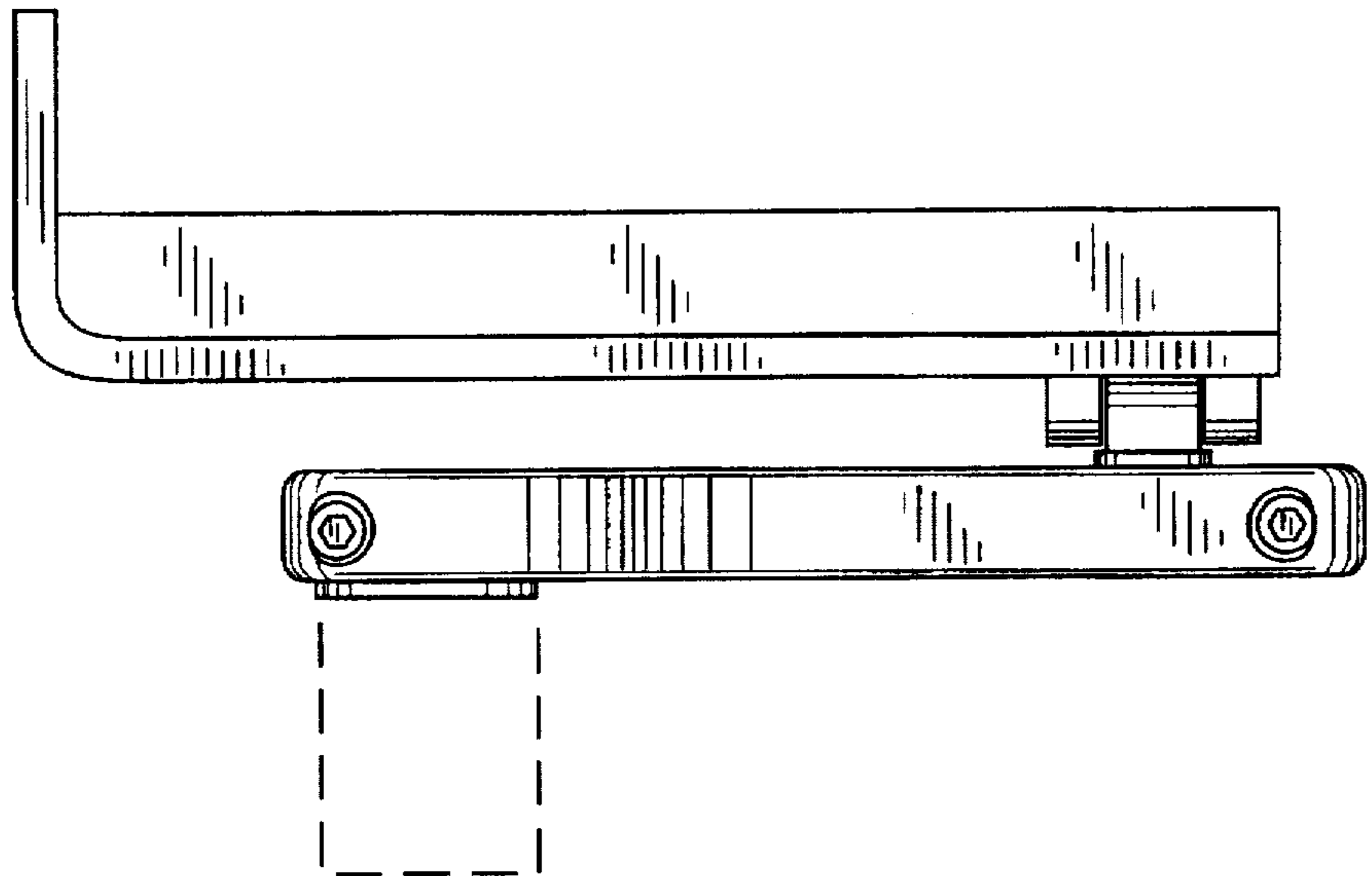


FIG.5

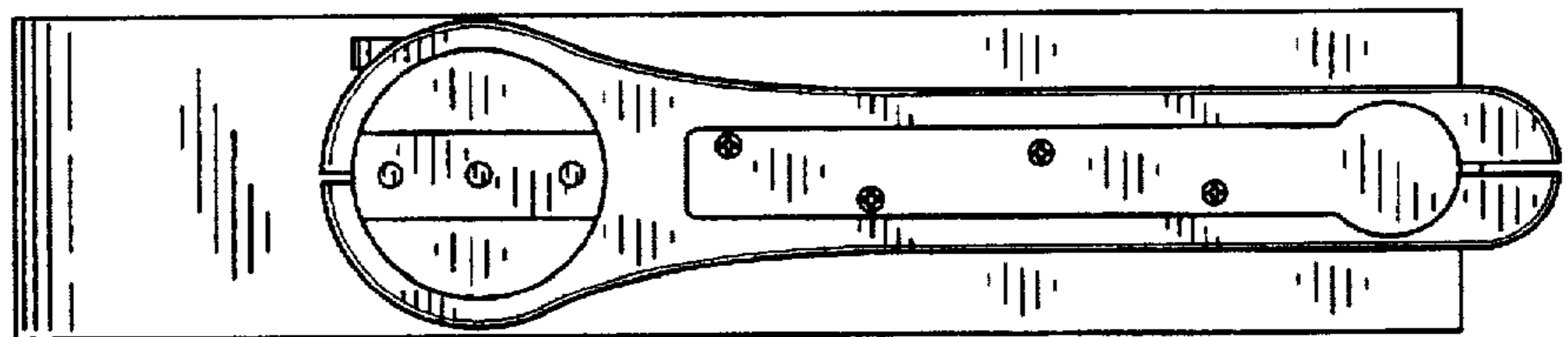


FIG.6

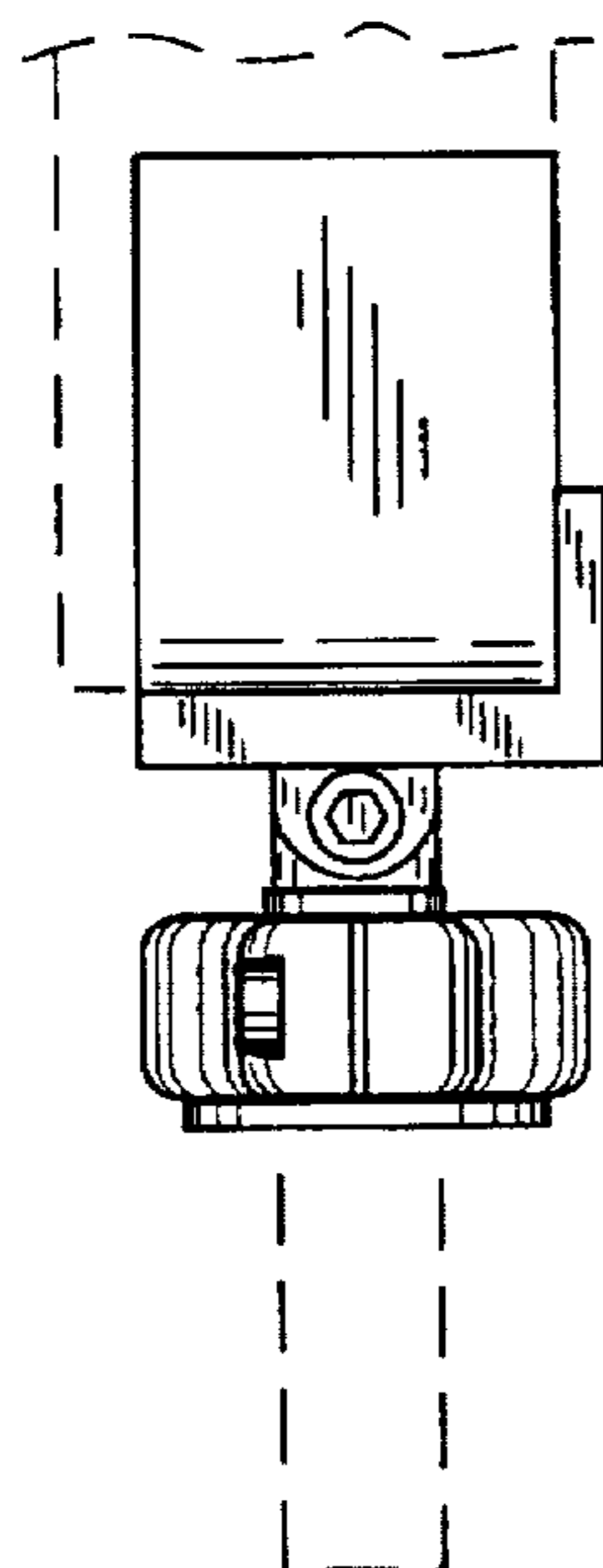


FIG.7

