



US00D391935S

# United States Patent [19]

Sakaguchi et al.

[11] Patent Number: **Des. 391,935**

[45] Date of Patent: **\*\*Mar. 10, 1998**

[54] **LIQUID CRYSTAL DISPLAY**

[75] Inventors: **Katsuya Sakaguchi; Yoshiki Miyazawa**, both of Osaka; **Tomoya Terasawa**, Tokyo, all of Japan

[73] Assignee: **NEC Corporation**, Tokyo, Japan

[\*\*] Term: **14 Years**

[21] Appl. No.: **70,482**

[22] Filed: **May 8, 1997**

[30] **Foreign Application Priority Data**

Nov. 8, 1996 [JP] Japan ..... 8-33965

[51] **LOC (6) Cl.** ..... **14-02**

[52] **U.S. Cl.** ..... **D14/113; D14/126**

[58] **Field of Search** ..... **D14/100, 106, D14/113, 124-129; 248/917-924; 345/104, 133, 156, 168, 173, 87, 901-905; 348/180, 184, 325, 739**

[56] **References Cited**

**U.S. PATENT DOCUMENTS**

D. 356,552 3/1995 Maeno et al. .... D14/113

D. 356,555 3/1995 Takemasa et al. .... D14/113  
D. 359,035 6/1995 Shinano ..... D14/113  
D. 362,236 9/1995 Dann et al. .... D14/113 X  
D. 364,855 12/1995 Onoda ..... D14/113

*Primary Examiner*—Freda Nunn  
*Attorney, Agent, or Firm*—Sughrue, Mion, Zinn, Macpeak & Seas, PLLC

[57] **CLAIM**

The ornamental design for liquid crystal display, as shown.

**DESCRIPTION**

FIG. 1 is a perspective view of the top, front and right side of liquid crystal display showing our new design;

FIG. 2 is a front elevational view thereof;

FIG. 3 is a right side elevational view thereof;

FIG. 4 is a left side elevational view thereof;

FIG. 5 is a rear elevational view thereof;

FIG. 6 is a top plan view thereof; and,

FIG. 7 is a bottom plan view thereof.

**1 Claim, 4 Drawing Sheets**

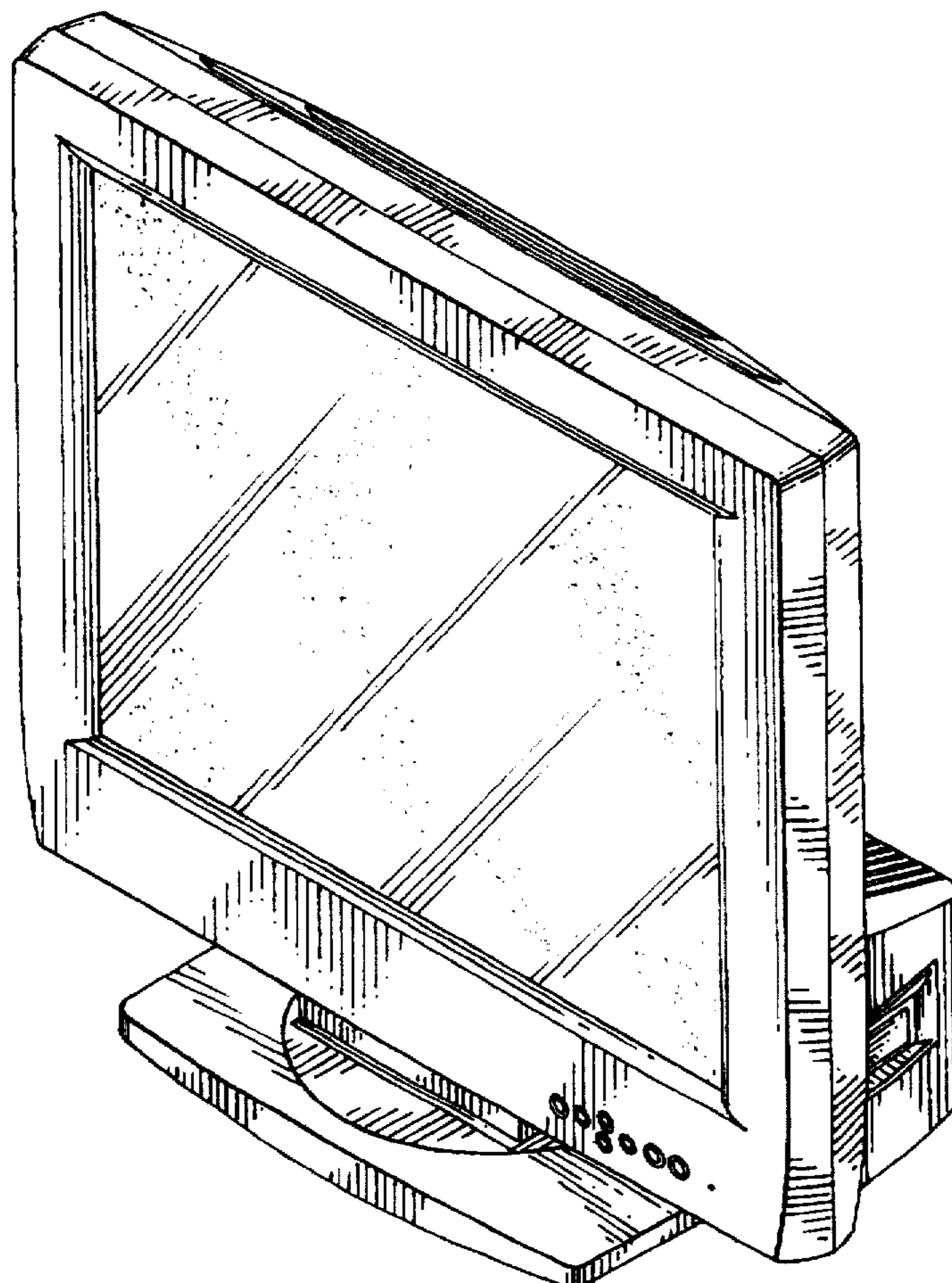


FIG. 1

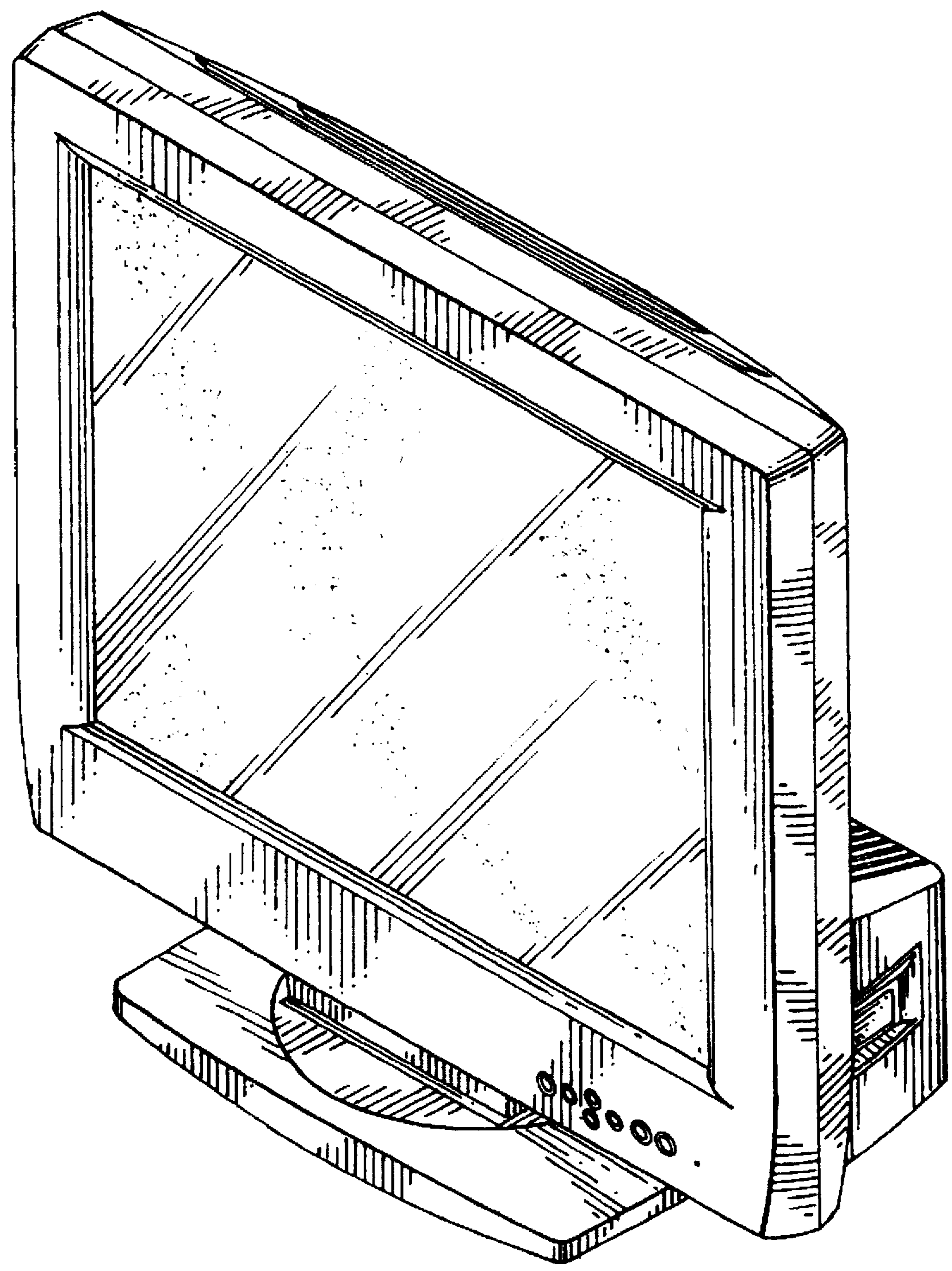


FIG. 3

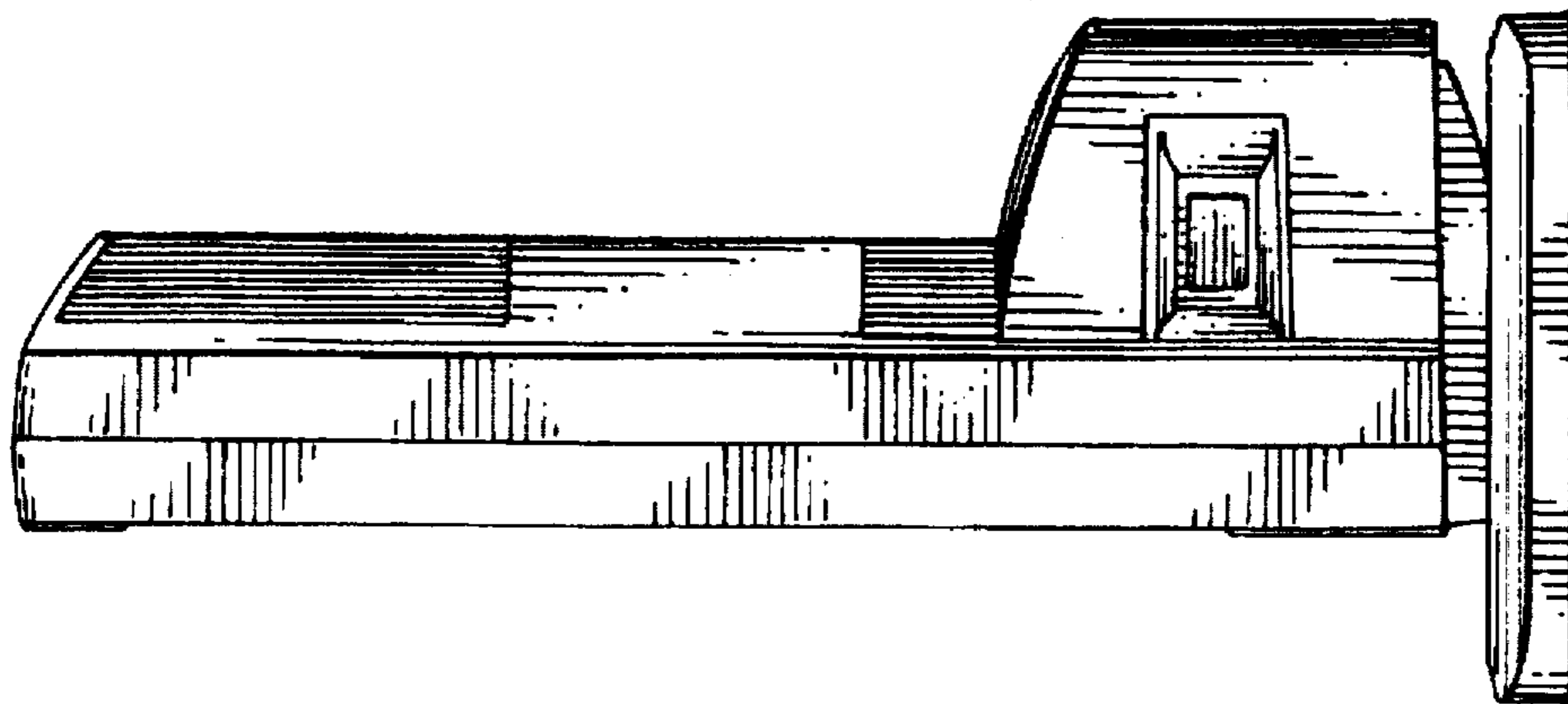


FIG. 2

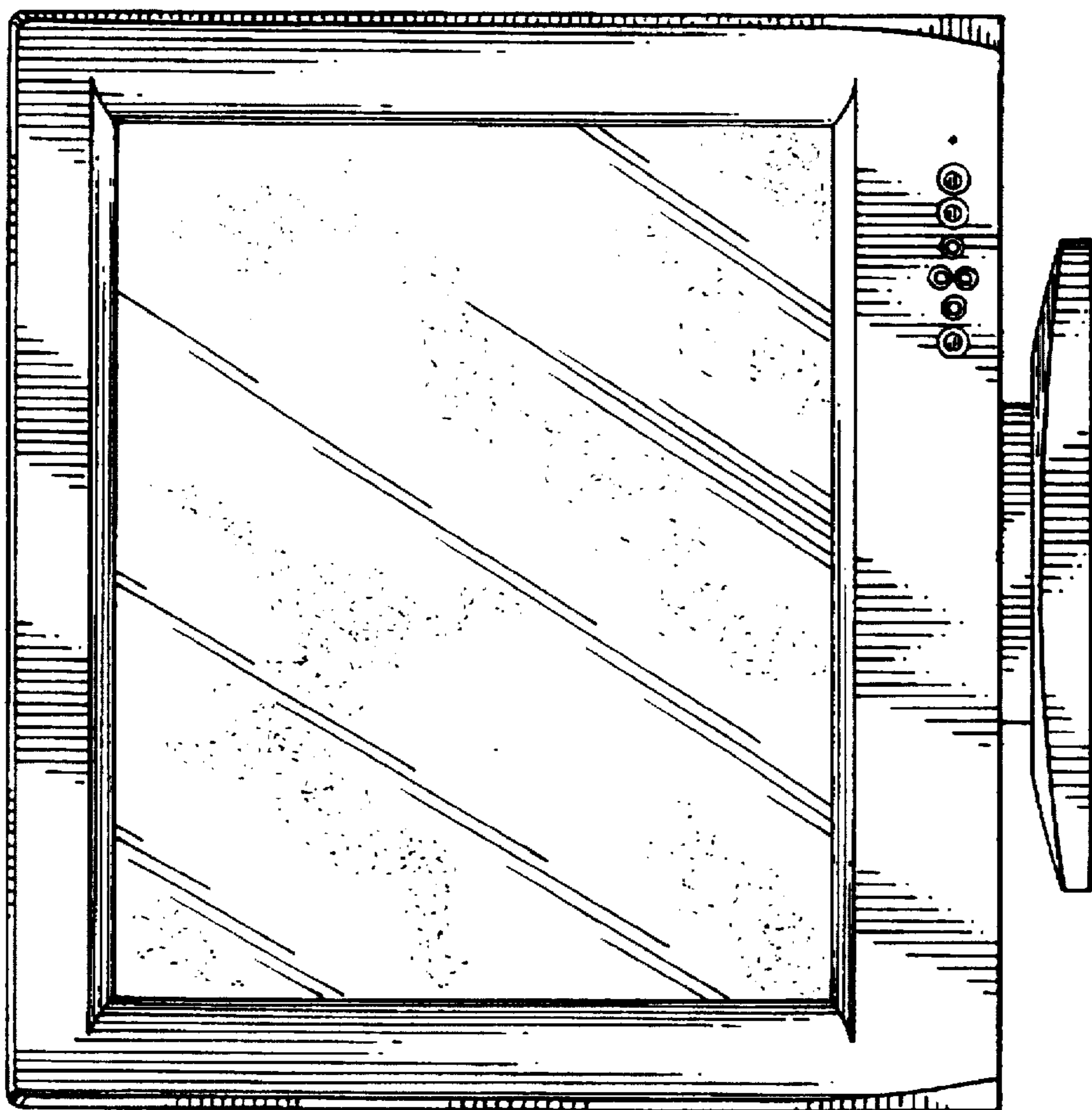


FIG. 4

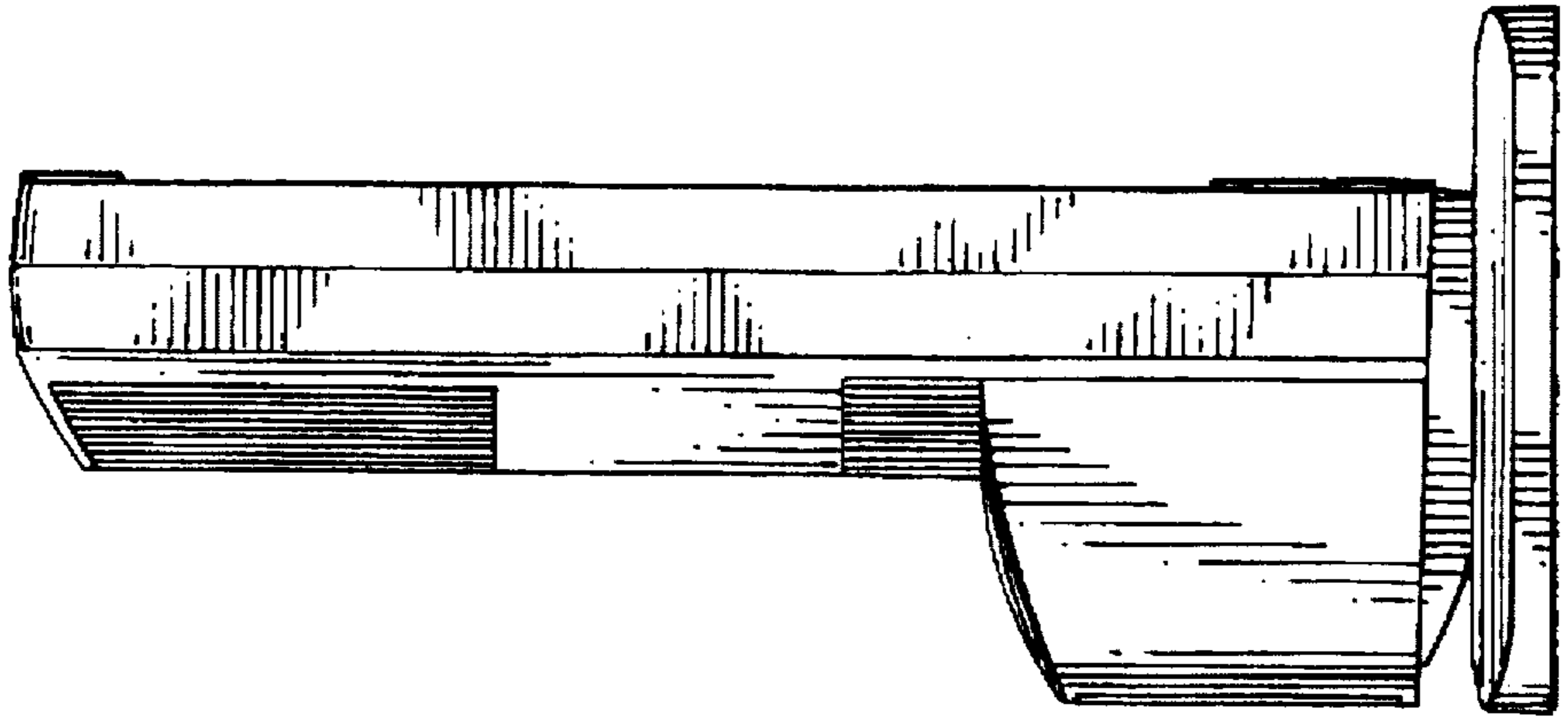


FIG. 5

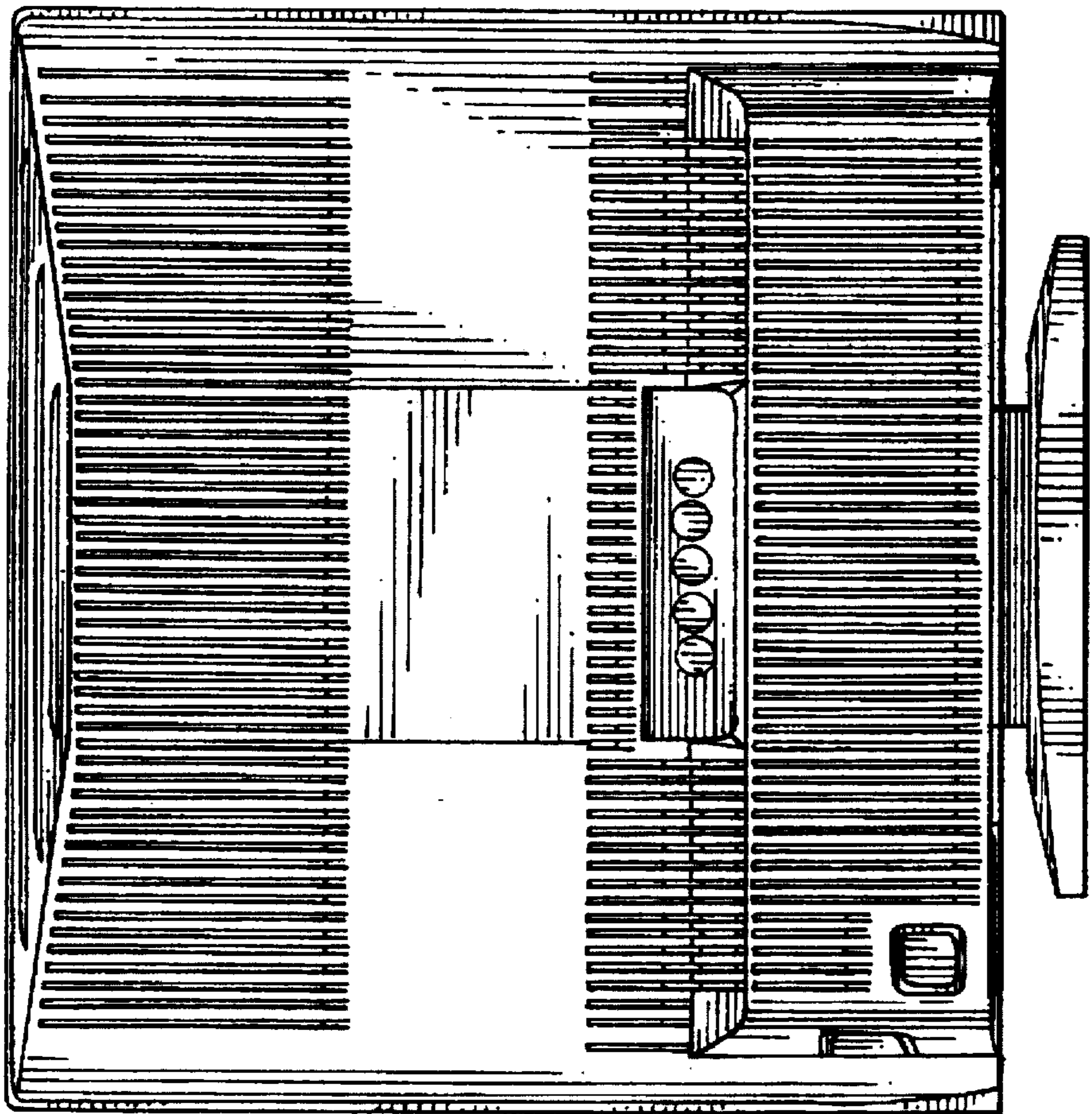


FIG. 6

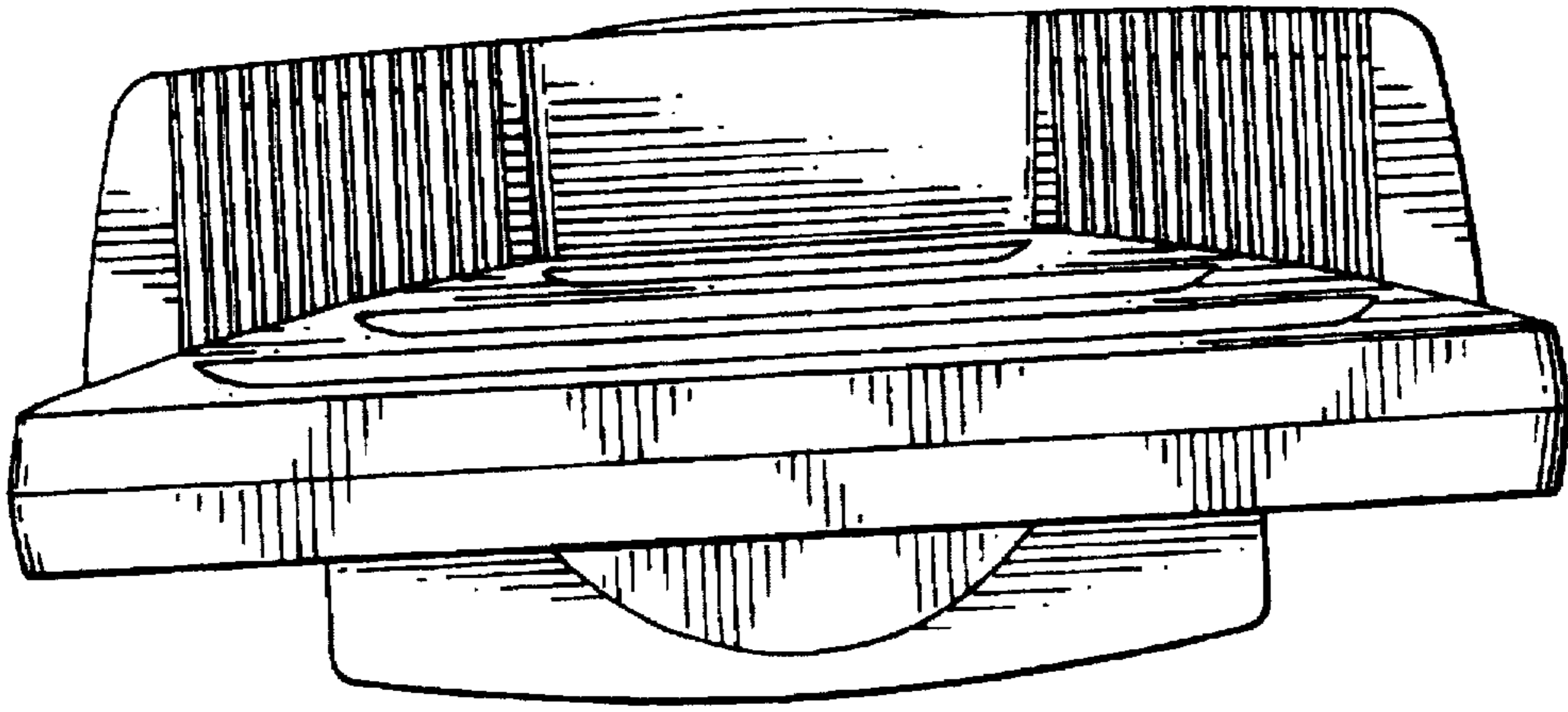


FIG. 7

