



US00D391932S

United States Patent [19]

Uehara

[11] Patent Number: **Des. 391,932**

[45] Date of Patent: ****Mar. 10, 1998**

[54] **MONITOR**

D. 344,075 2/1994 Althans et al. D14/113
D. 364,608 11/1995 Nakada D14/113

[76] Inventor: **Mitsuhiro Uehara**, Sony Corporation
7-35 Kitashinagawa 6-chome,
Shinagawa-ku, Tokyo, Japan

Primary Examiner—Freda Nunn
Attorney, Agent, or Firm—Cooper & Dunham LLP

[**] Term: **14 Years**

[57] **CLAIM**

[21] Appl. No.: **58,358**

The ornamental design for a monitor, as shown and described.

[22] Filed: **Aug. 12, 1996**

DESCRIPTION

[51] LOC (6) Cl. **14-02**

FIG. 1 is a top plan view of a monitor showing my new design;

[52] U.S. Cl. **D14/113; D14/126**

FIG. 2 is a left-side elevational view thereof;

[58] Field of Search D14/100, 101,
D14/106, 113, 124-129; 345/104, 133,
156, 168, 173, 87, 901-905; 248/918-924

FIG. 3 is a front elevational view thereof;

FIG. 4 is a right-side elevational view thereof;

FIG. 5 is a rear elevational view thereof;

FIG. 6 is a bottom plan view thereof; and,

FIG. 7 is a top, front and right-side perspective view thereof.

[56] **References Cited**

U.S. PATENT DOCUMENTS

D. 311,180 10/1990 Schaum D14/113
D. 332,092 12/1992 Lo D14/113

1 Claim, 4 Drawing Sheets

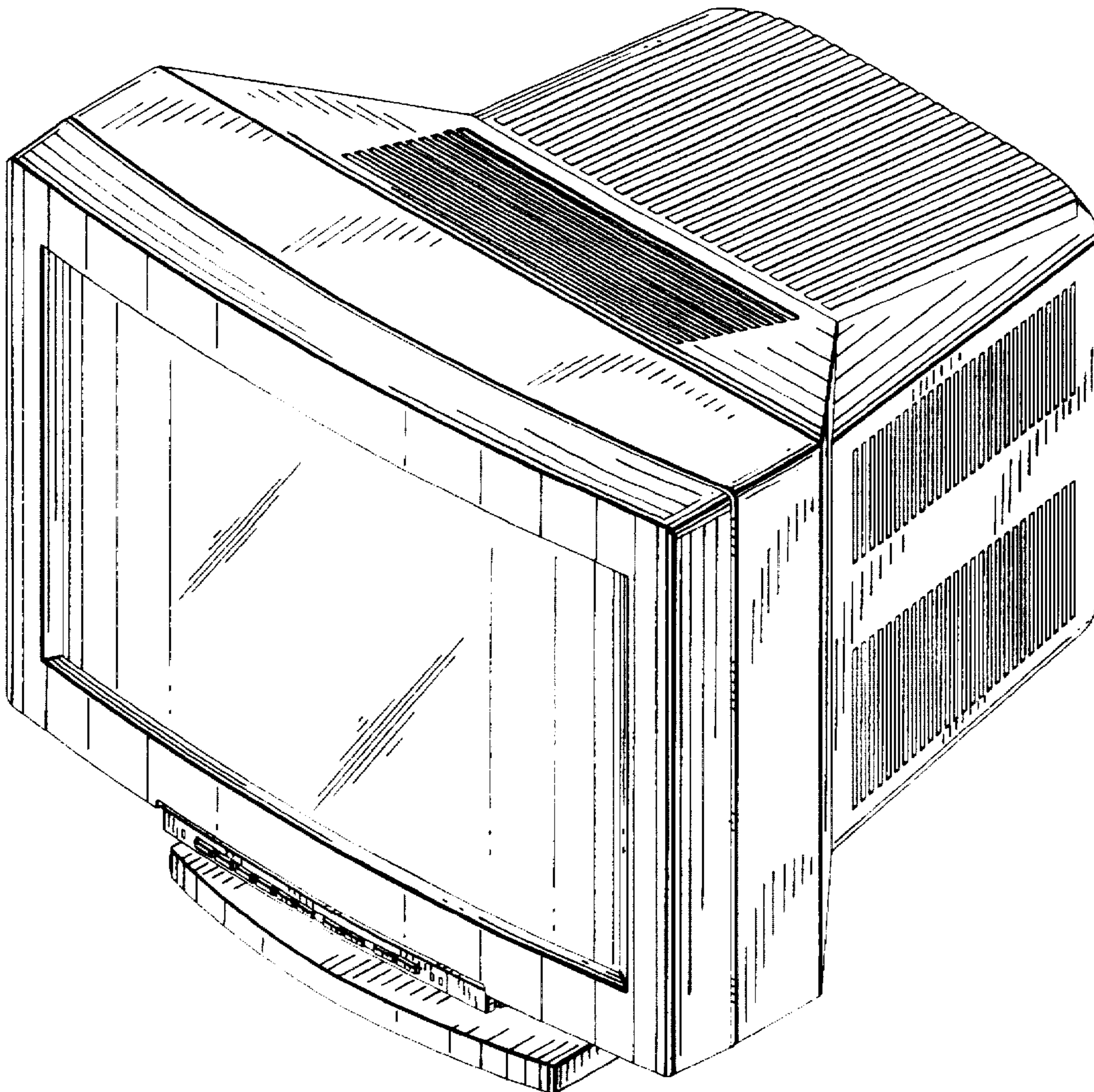


FIG. 1

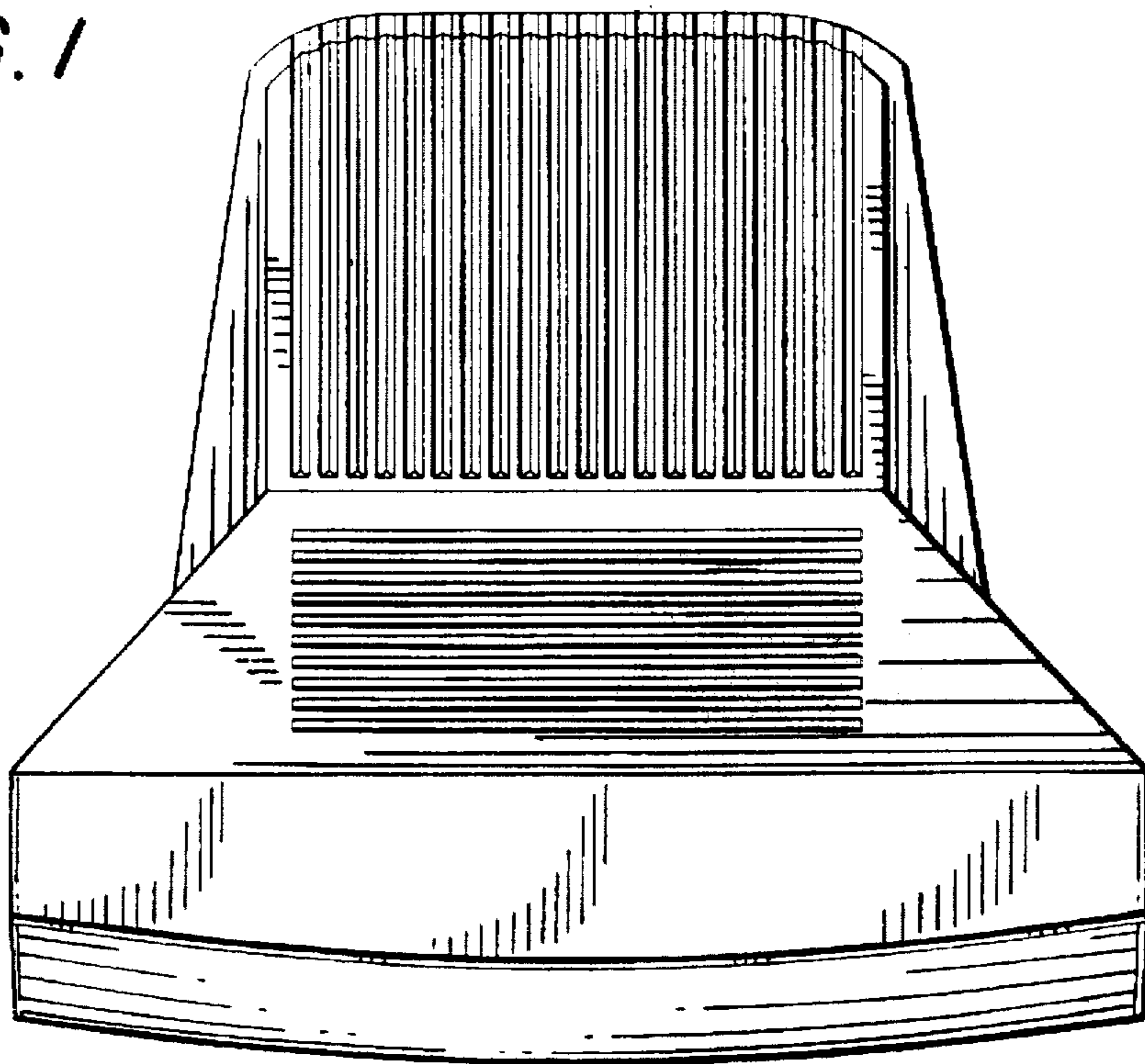
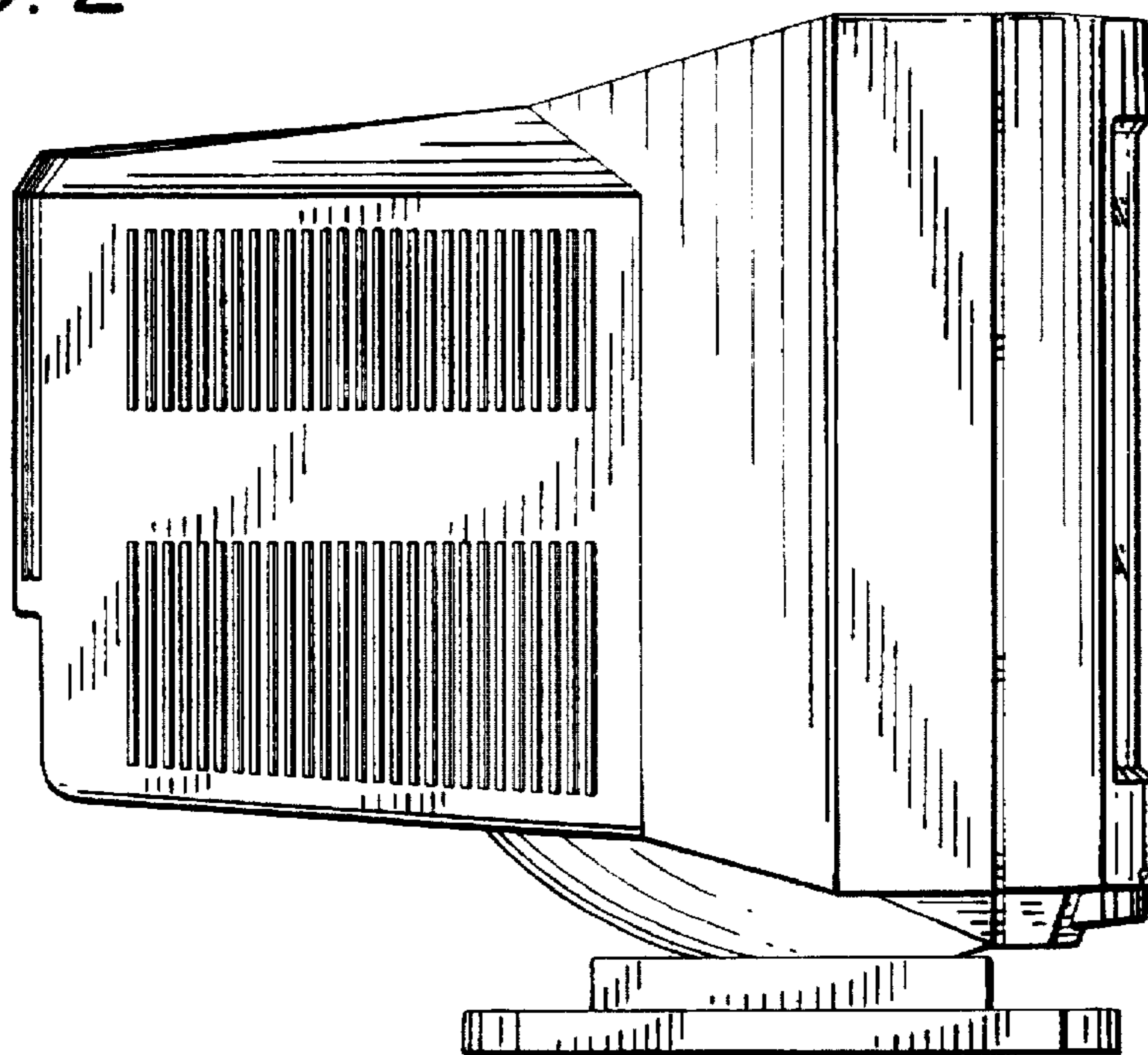


FIG. 2



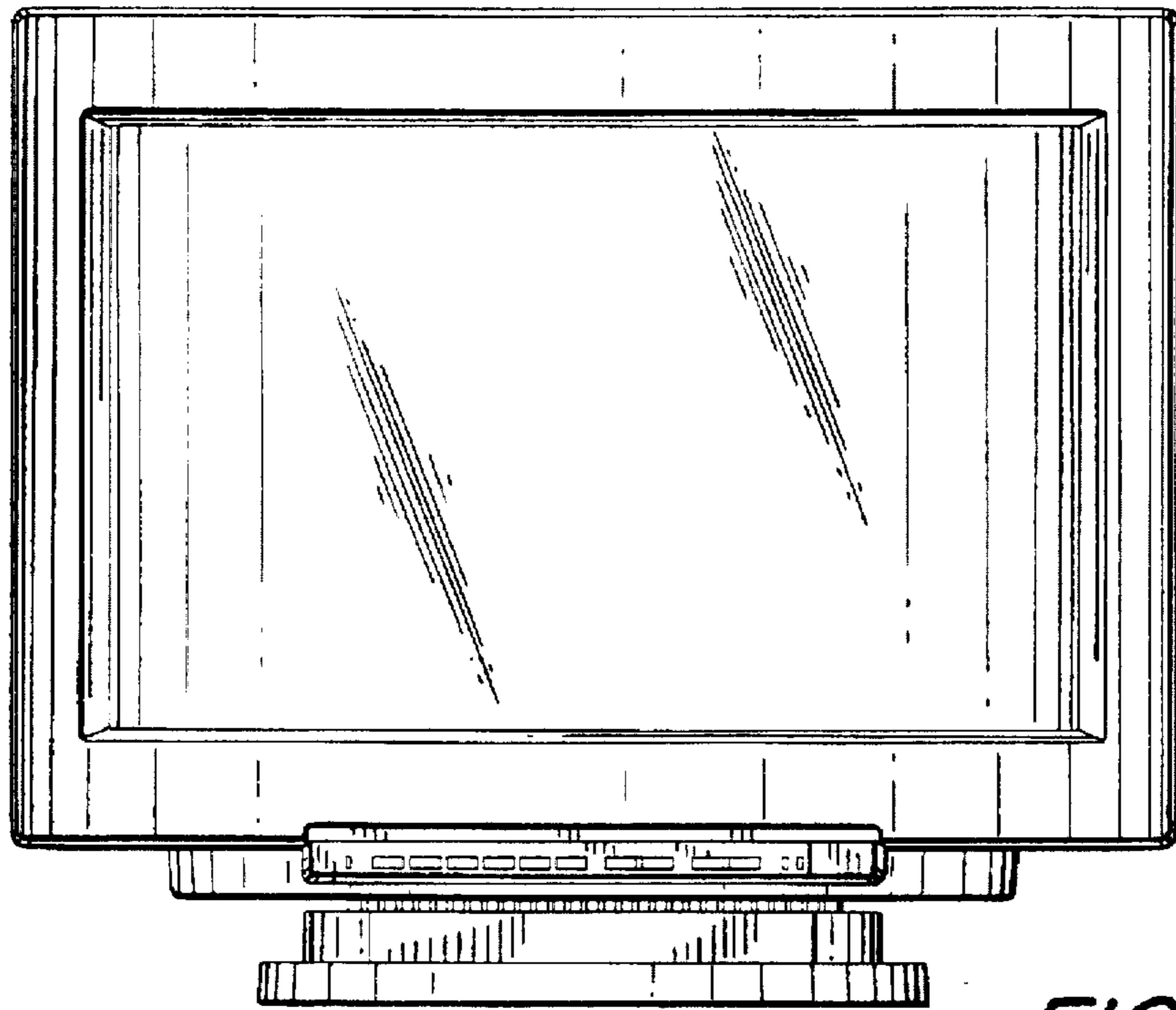
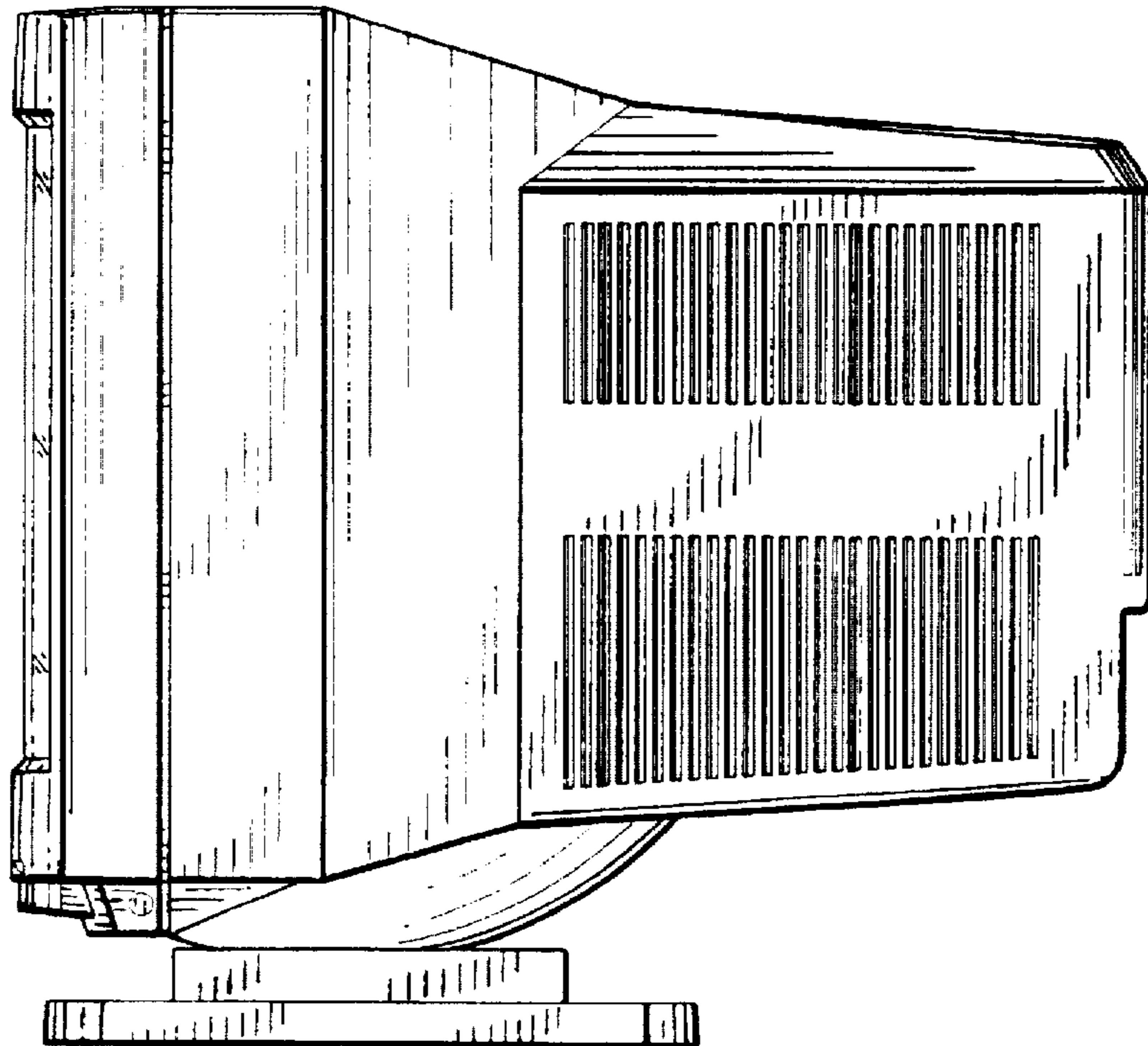


FIG. 3

FIG. 4



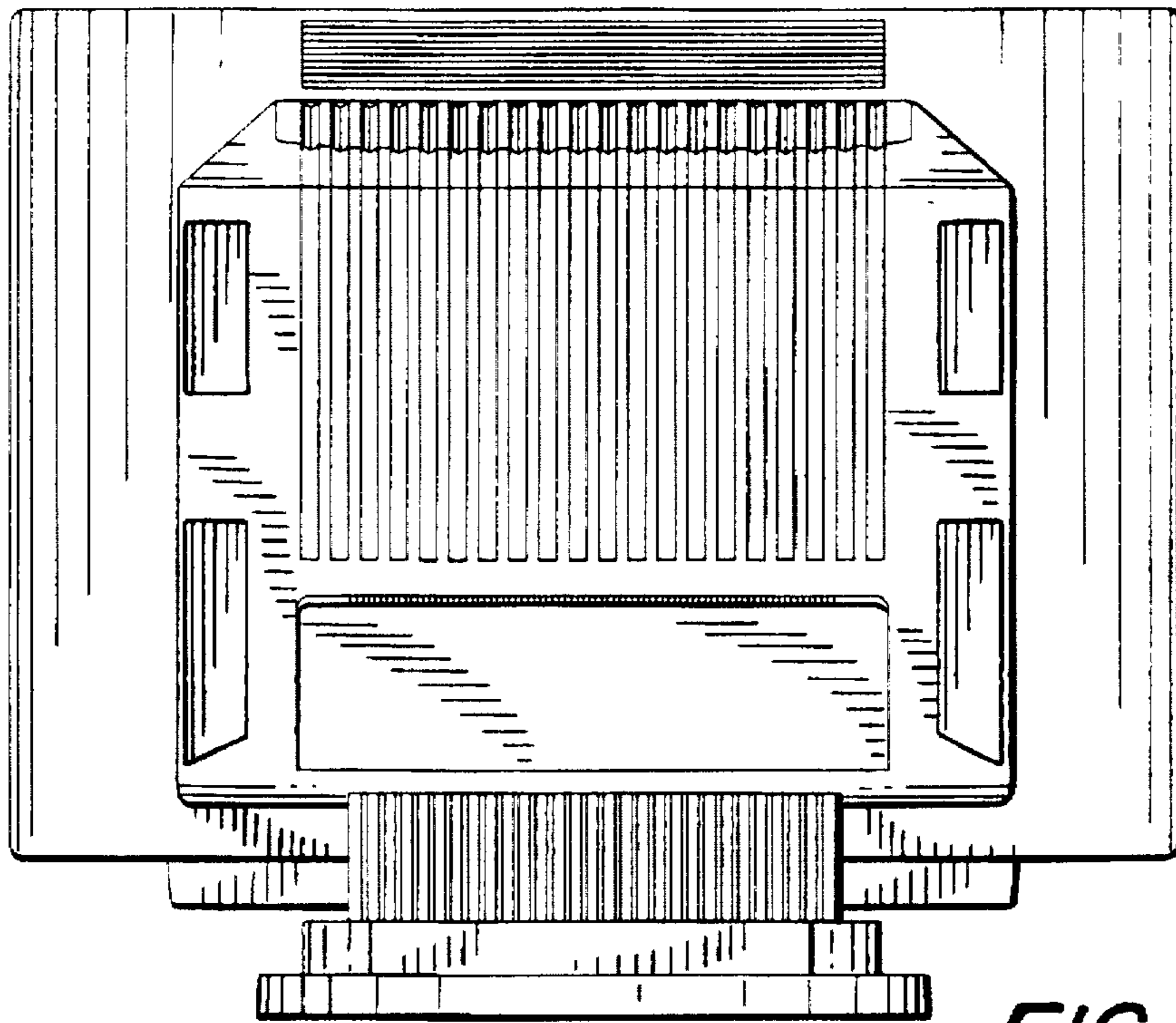


FIG. 5

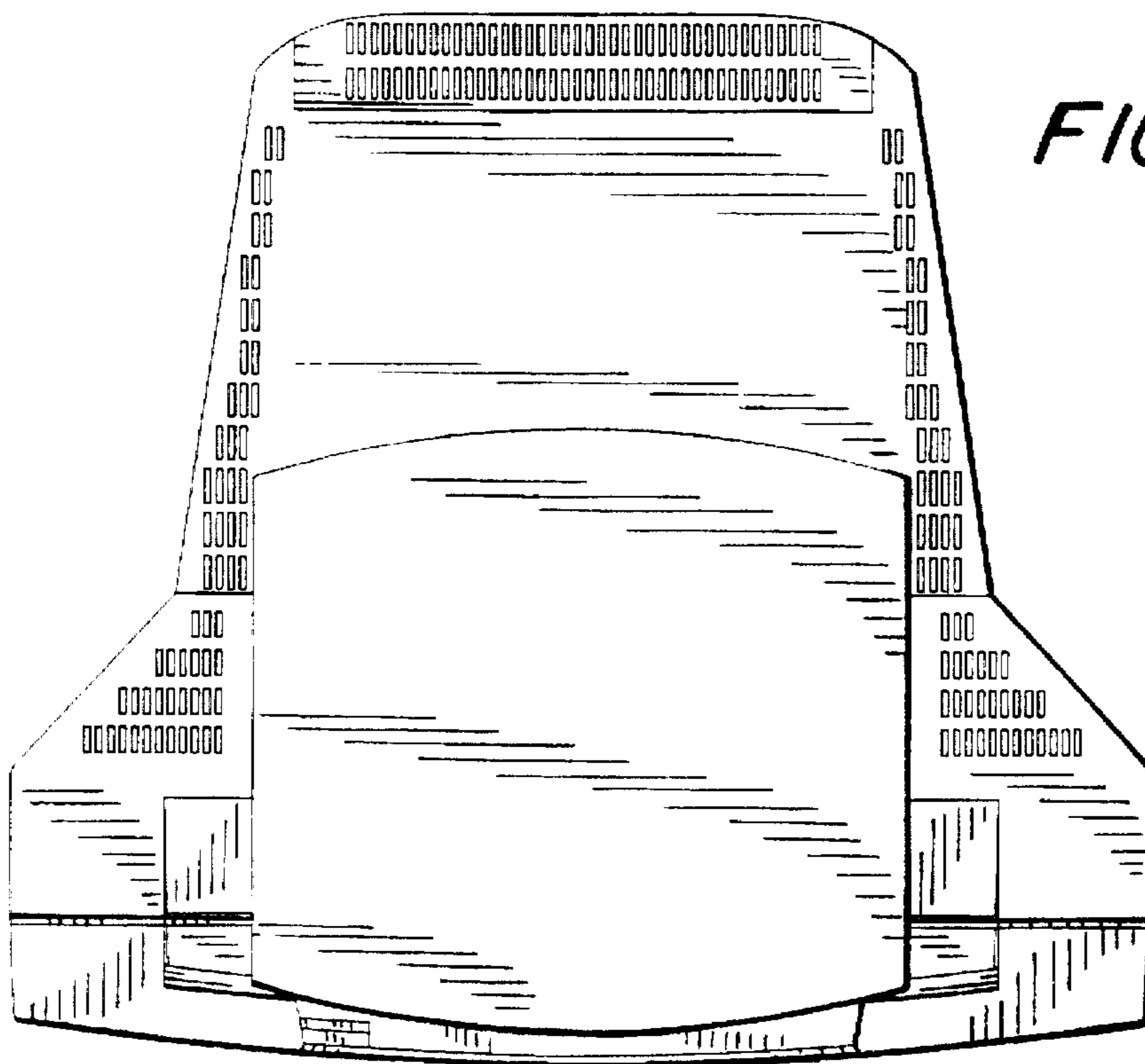


FIG. 6

FIG. 7

