



US00D391922S

# United States Patent [19]

[11] Patent Number: **Des. 391,922**

**Aromin**

[45] Date of Patent: **\*\*Mar. 10, 1998**

## [54] IN LINE COMPACT APPLIANCE LEAKAGE CURRENT INTERRUPTER

[75] Inventor: **Victor V. Aromin, Warwick, R.I.**

[73] Assignee: **Tower Manufacturing Corporation, Providence, R.I.**

[\*\*] Term: **14 Years**

[21] Appl. No.: **60,701**

[22] Filed: **Oct. 4, 1996**

[51] LOC (6) Cl. .... **13-03**

[52] U.S. Cl. .... **D13/160**

[58] Field of Search ..... **D13/137, 138, D13/158, 160, 178; D14/114; 361/42, 44, 45, 50, 115**

### [56] References Cited

#### U.S. PATENT DOCUMENTS

D. 266,559	10/1982	Gibbs	.....	D13/138
D. 278,705	5/1985	Nagelkerke et al.	.....	D13/138
D. 306,282	2/1990	Arehart et al.	.....	D13/138
D. 313,971	1/1991	Rosenbaum et al.	.....	D13/160
D. 354,953	1/1995	Kazufimi et al.	.....	D14/114
D. 356,066	3/1995	Rao et al.	.....	D13/160
D. 358,368	5/1995	Howard et al.	.....	D13/160
5,019,935	5/1991	Nakamura	.....	361/45
5,148,344	9/1992	Rao et al.	.....	361/42

#### OTHER PUBLICATIONS

"MCM Electronic", p. 65, Power Cords at lower right side of column, Fall 1989.

*Primary Examiner*—James Gandy  
*Assistant Examiner*—Cathron B. Matta  
*Attorney, Agent, or Firm*—Kriegsman & Kriegsman

### [57] CLAIM

The ornamental design for an in line compact appliance leakage current interrupter, as shown and described.

### DESCRIPTION

FIG. 1 is a perspective view of an in line compact appliance leakage current interrupter showing our new design;

FIG. 2 is a top view of the in line compact appliance leakage current interrupter shown in FIG. 1;

FIG. 3 is a right side view of the in line compact appliance leakage current interrupter shown in FIG. 1;

FIG. 4 is a left side view of the in line compact appliance leakage current interrupter shown in FIG. 1;

FIG. 5 is a bottom view of the in line compact appliance leakage current interrupter shown in FIG. 1;

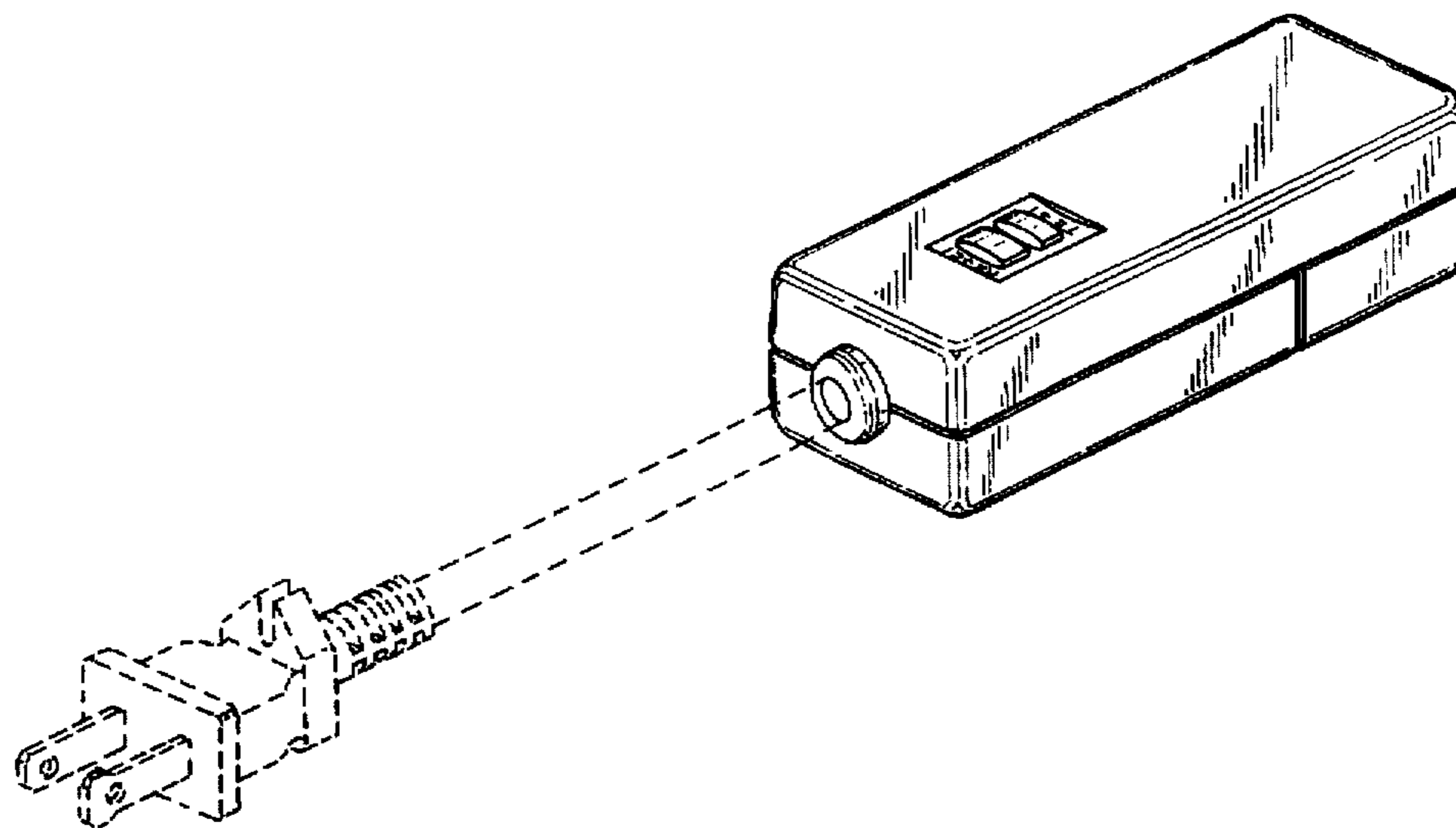
FIG. 6 is a right end view of the in line compact appliance leakage current interrupter shown in FIG. 1;

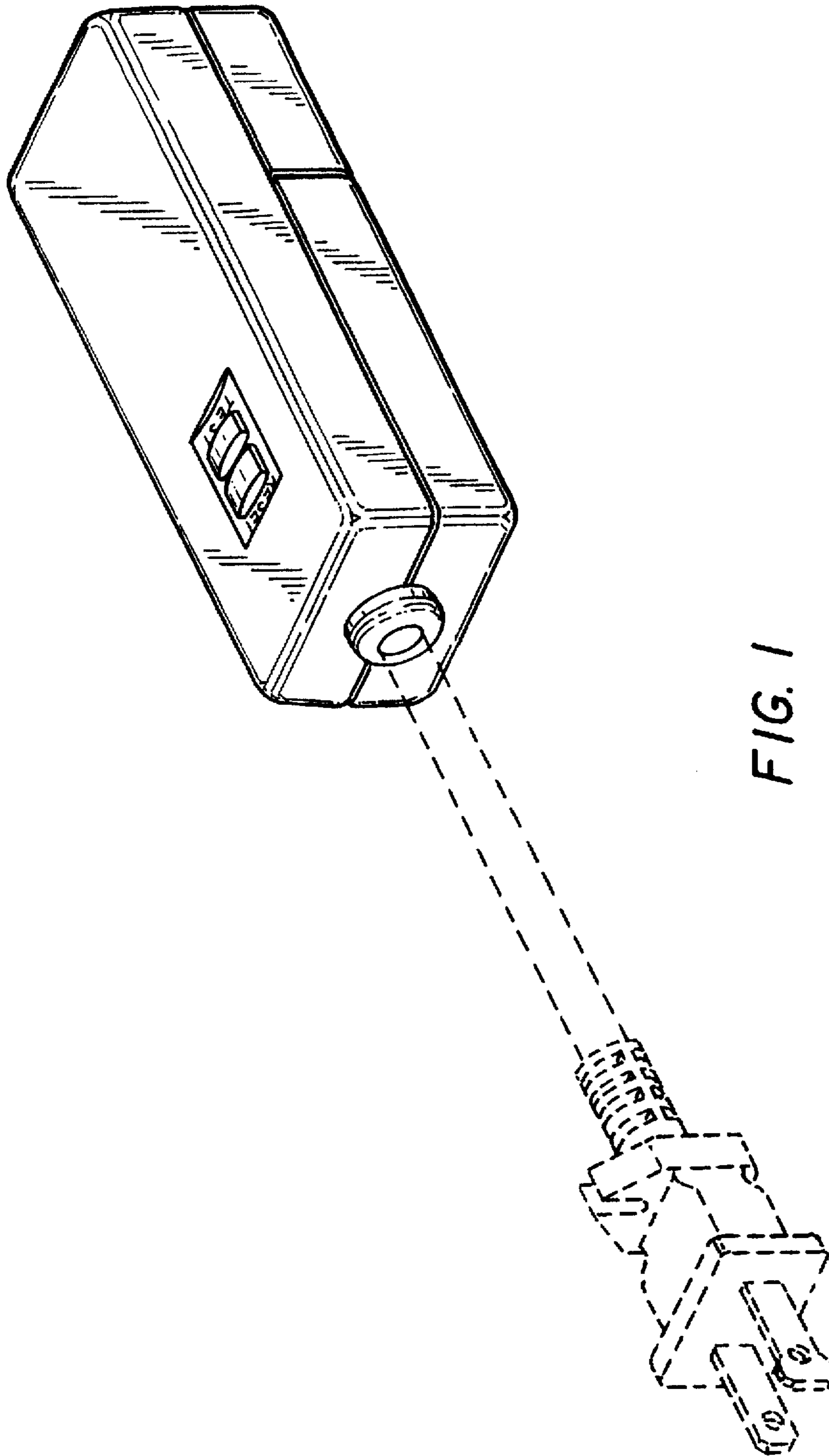
FIG. 7 is a left end view of the in line compact appliance leakage current interrupter shown in FIG. 1; and,

FIG. 8 is a perspective view of the in line compact leakage current interrupter of FIG. 1 in association with a three prong plug shown in broken lines.

The broken line showing of a cord and plug is for illustrative portions only and forms no part of the claimed design.

**1 Claim, 3 Drawing Sheets**





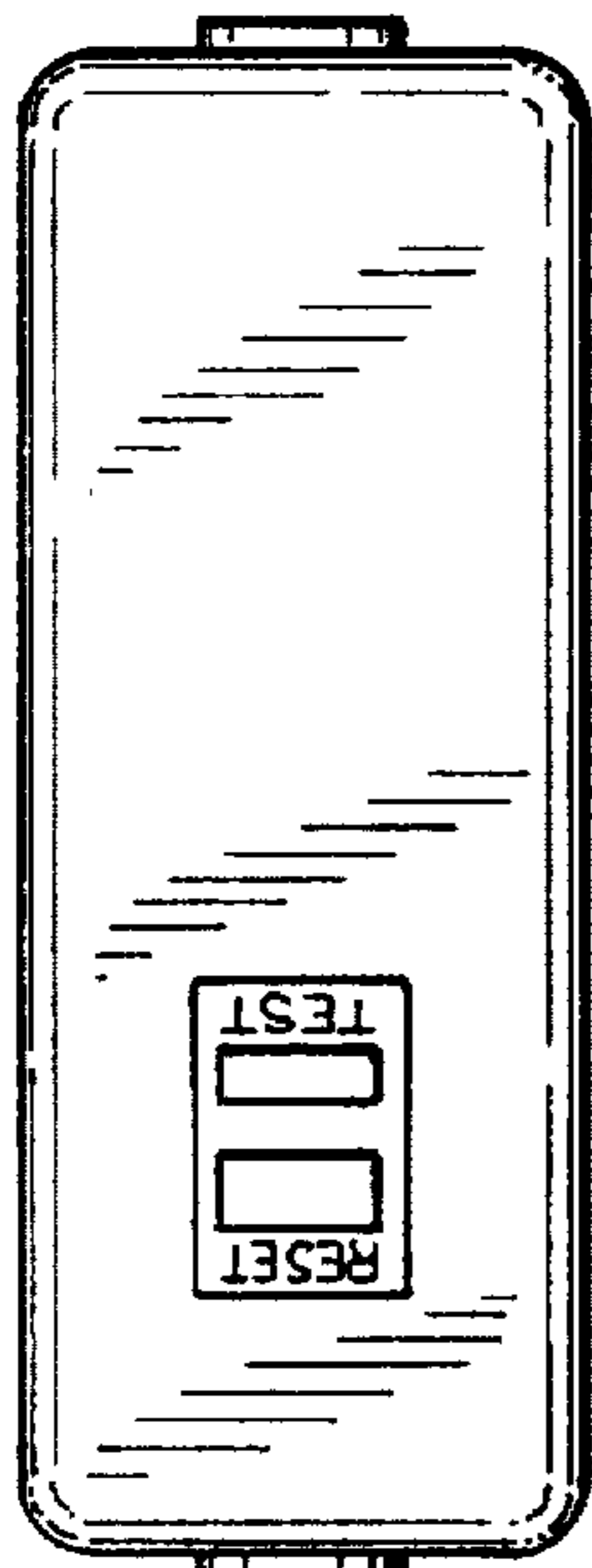


FIG. 2

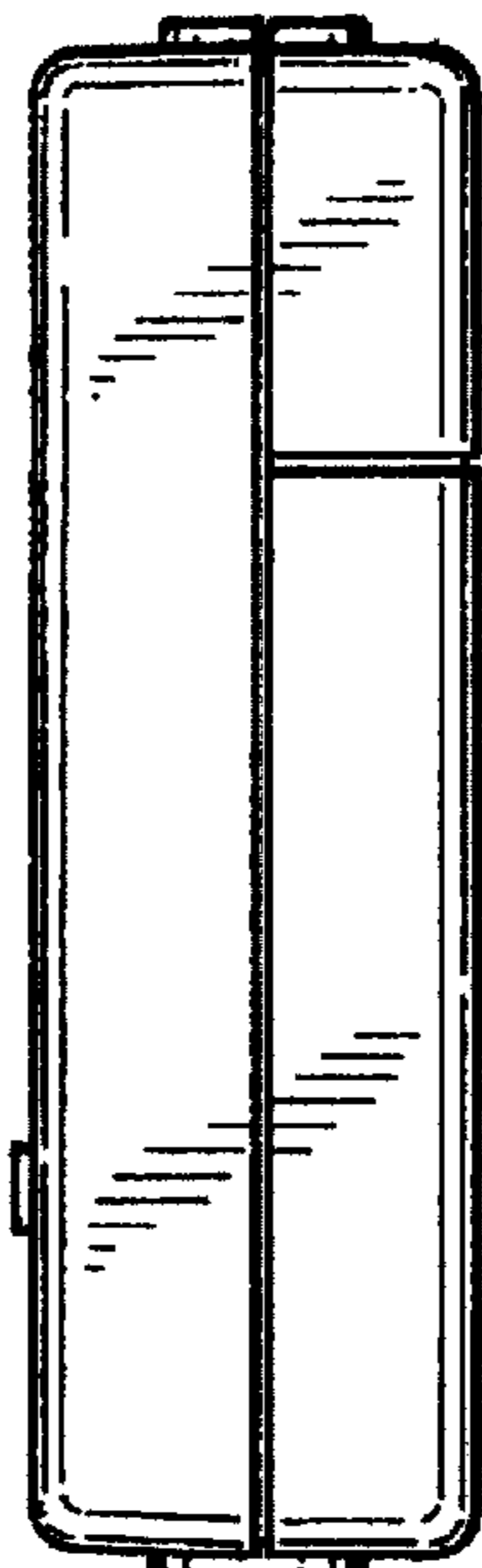


FIG. 3

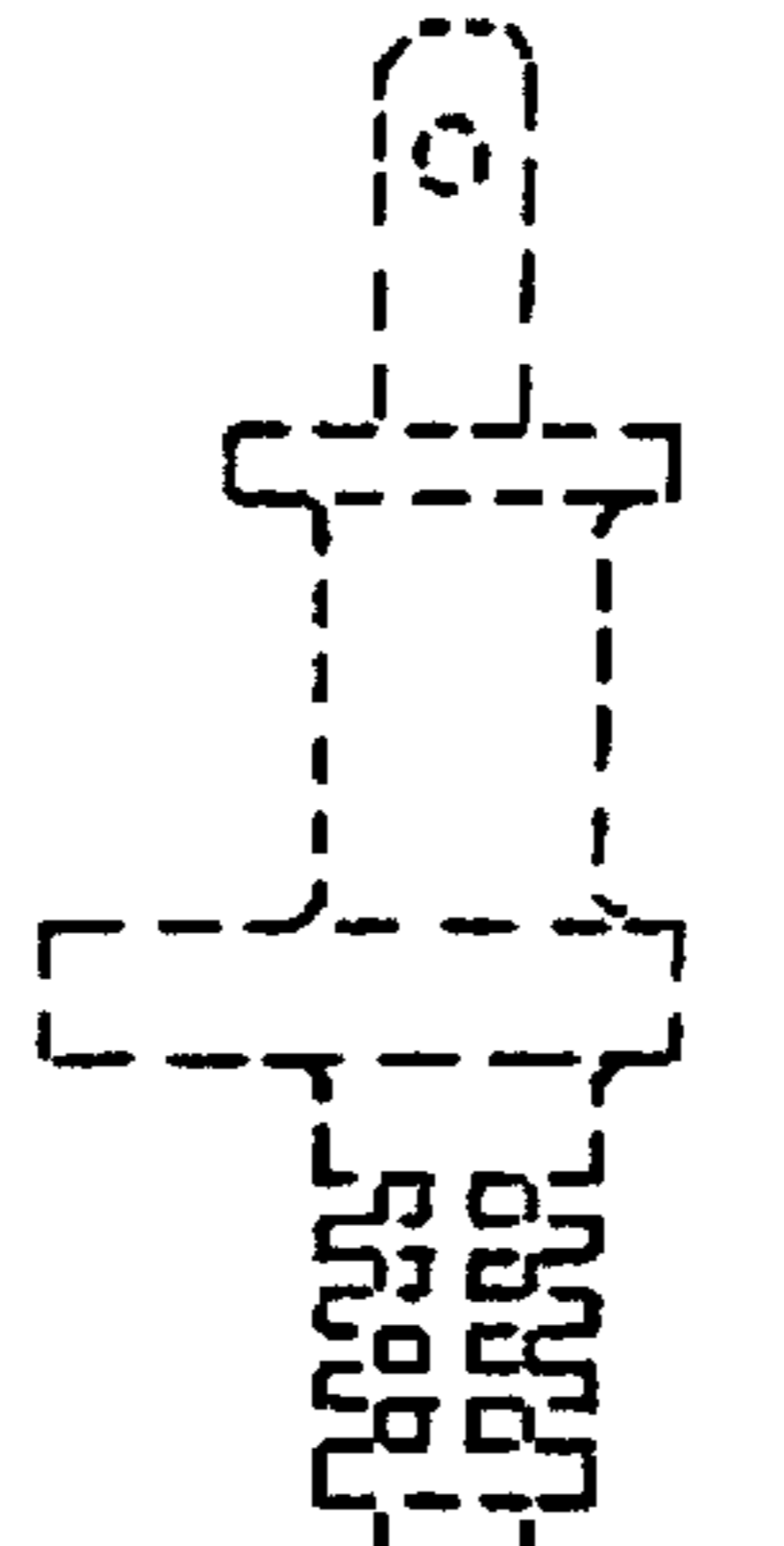


FIG. 4

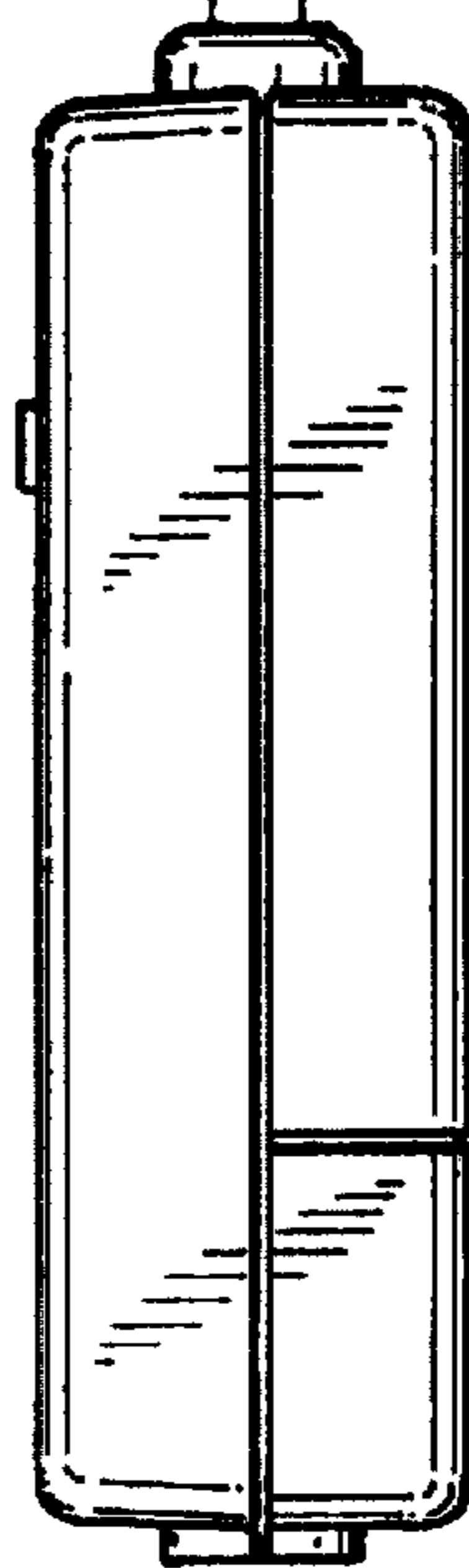


FIG. 5

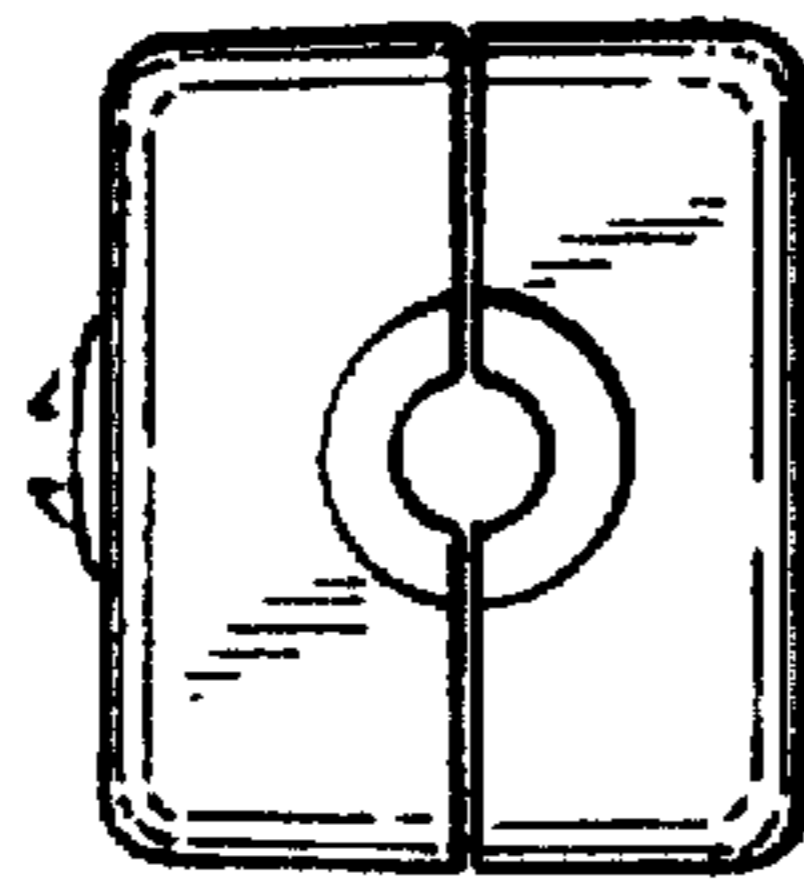


FIG. 6

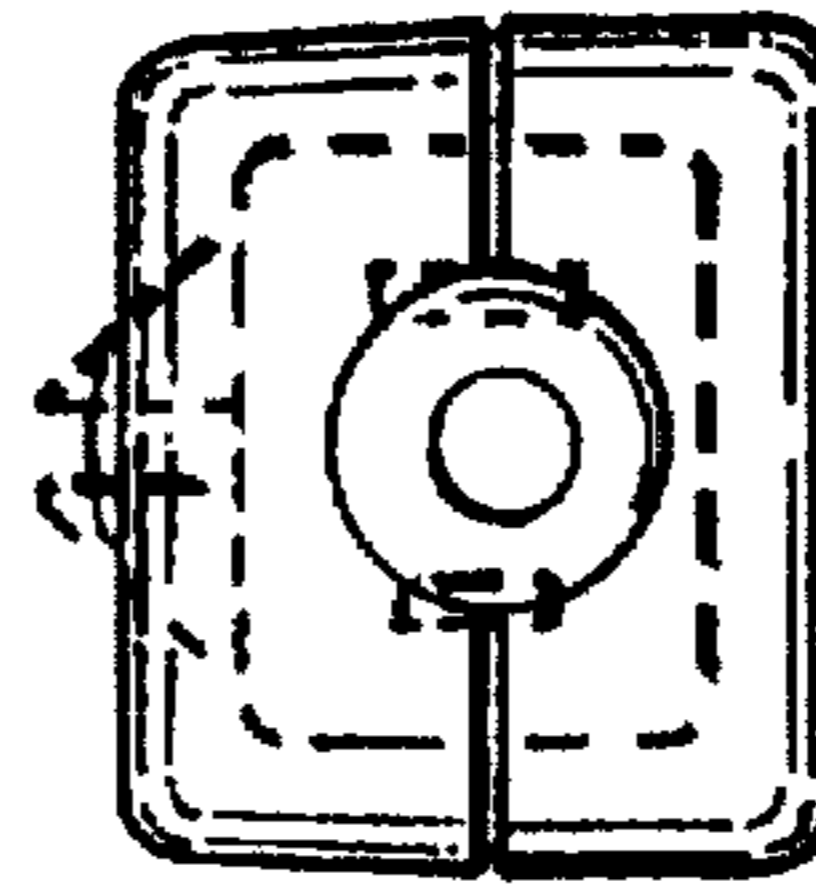
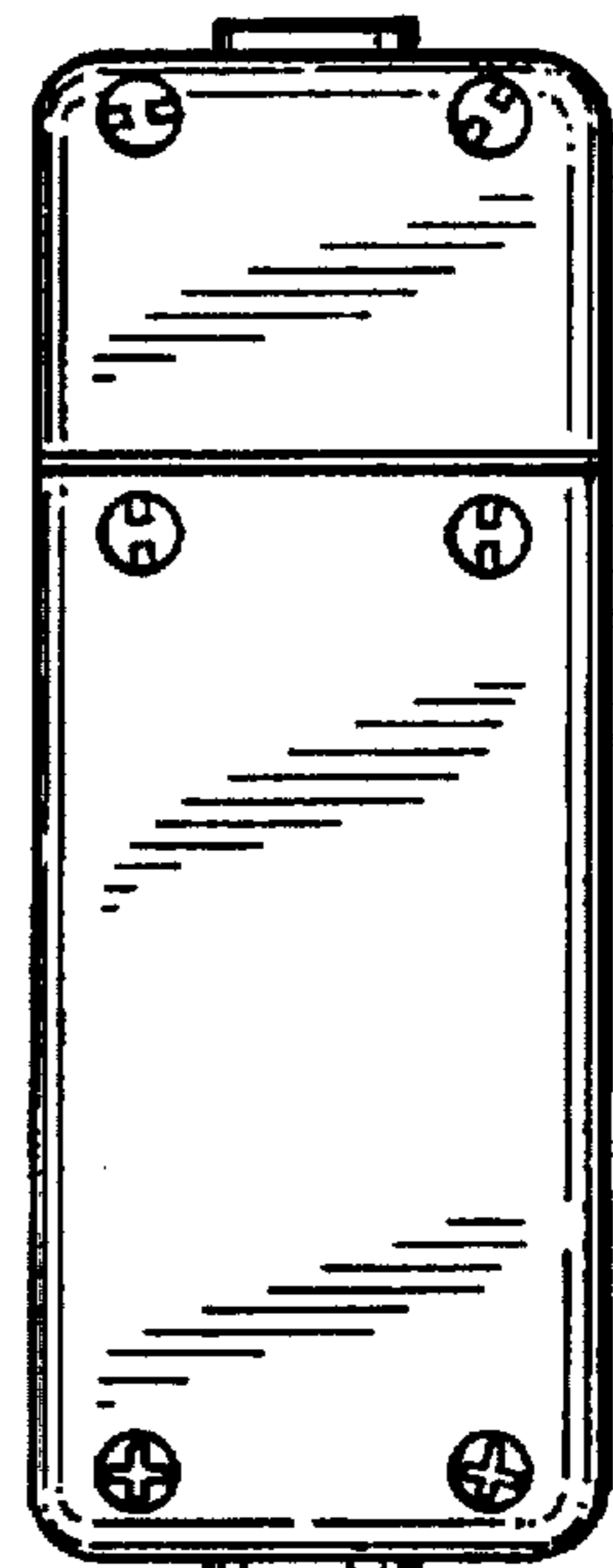


FIG. 7



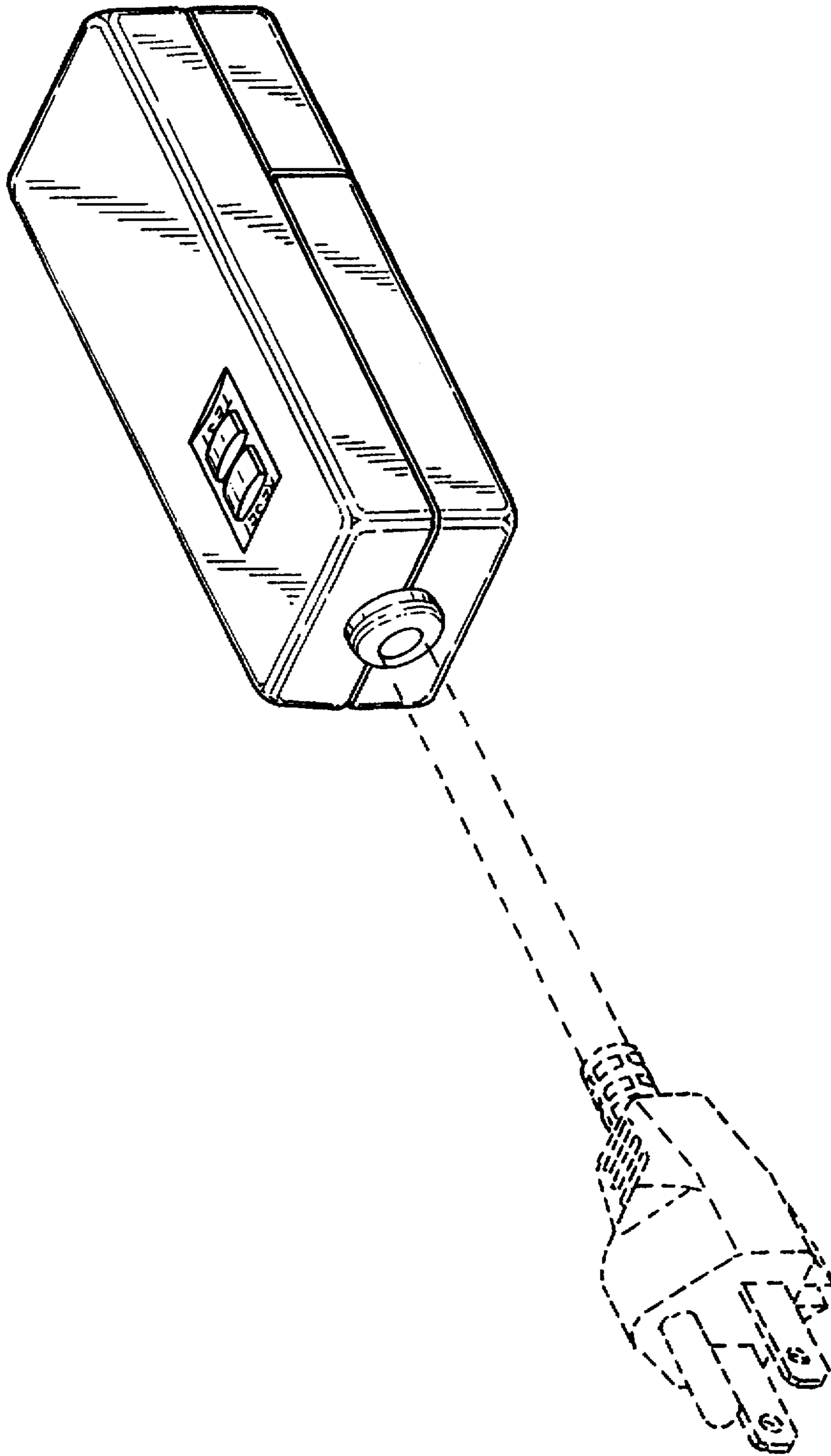


FIG. 8