



US00D391921S

United States Patent [19]
Zimmer et al.

[11] **Patent Number: Des. 391,921**
[45] **Date of Patent: **Mar. 10, 1998**

[54] **SOLAR PANEL**

[75] Inventors: **John Zimmer**, Blue Bell; **Michael DiLabio**, Limerick, both of Pa.
[73] Assignee: **Connector Set Limited Partnership**, Hatfield, Pa.
[**] Term: **14 Years**

[21] Appl. No.: **66,097**
[22] Filed: **Feb. 5, 1997**

[51] **LOC (6) Cl.** **13-02**
[52] **U.S. Cl.** **D13/102**
[58] **Field of Search** **D13/102; 136/244-246, 136/248, 251, 256, 259, 291, 292**

[56] **References Cited**
U.S. PATENT DOCUMENTS

D. 258,232	2/1981	Weis	D13/102
D. 353,129	12/1994	Ricaud et al.	D13/102
4,056,405	11/1977	Varadi	136/246
5,542,988	8/1996	Bogus	136/244

OTHER PUBLICATIONS

"Coast Navigation. Outfitting Guide". Kyocera Marine Solar Panel, p. 30, 1987.

Primary Examiner—James Gandy
Assistant Examiner—Cathron B. Matta
Attorney, Agent, or Firm—Schweitzer Cornman Gross & Bondell LLP

[57] **CLAIM**

The ornamental design for a solar panel, as shown and described.

DESCRIPTION

FIG. 1 is a front elevational view thereof, the rear elevational view thereof being a mirror image;
FIG. 2 is an end elevational view of one end thereof;
FIG. 3 is a top plan view thereof;
FIG. 4 is an end elevational view of the other end thereof;
FIG. 5 is a bottom plan view thereof;
FIG. 6 is a perspective view thereof, looking at the bottom; and,
FIG. 7 is a perspective view thereof, looking at the top.

1 Claim, 5 Drawing Sheets

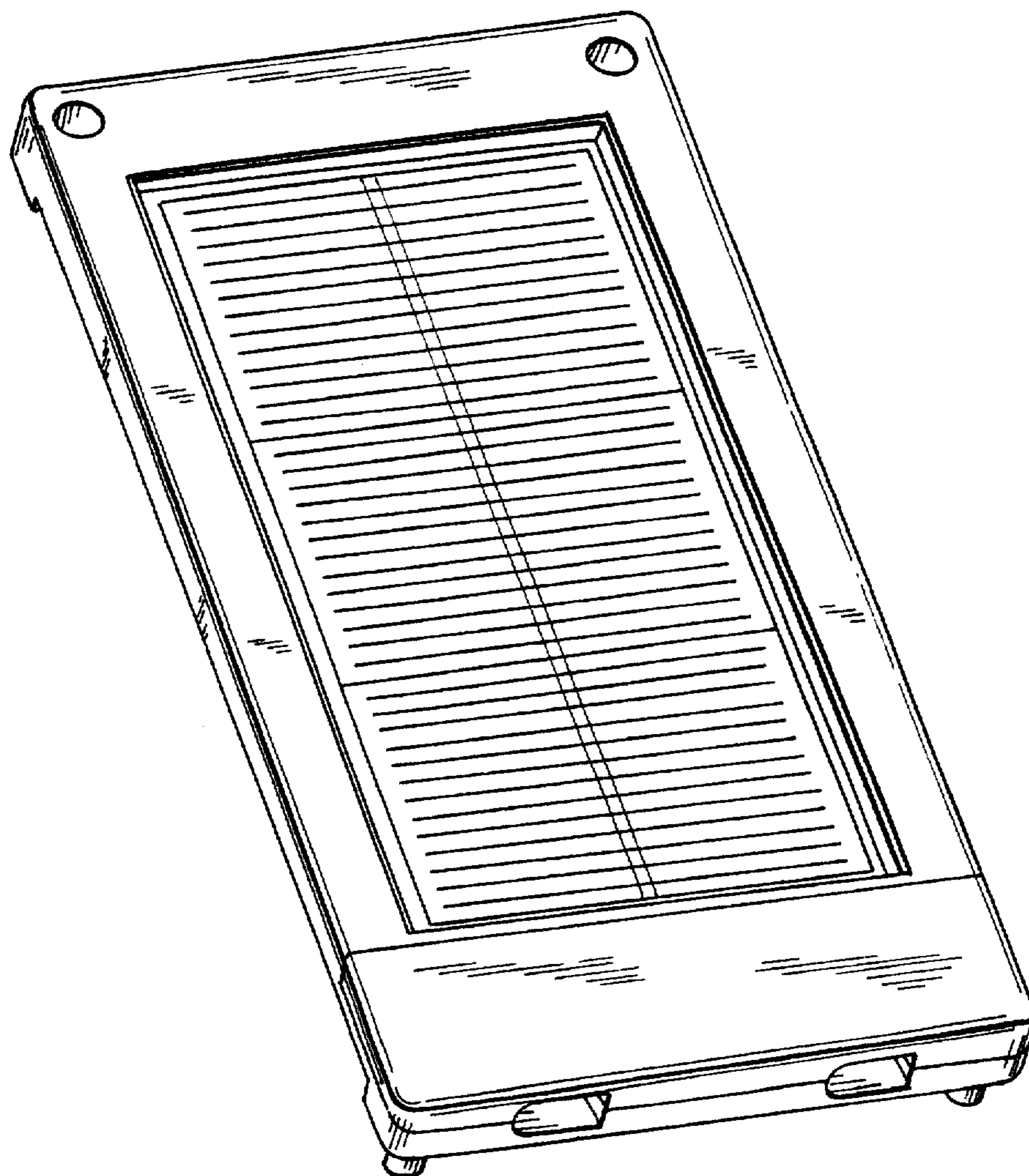


FIG. 1

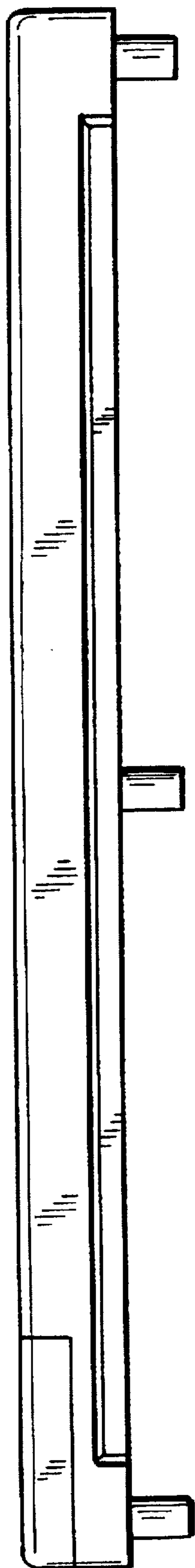


FIG. 2

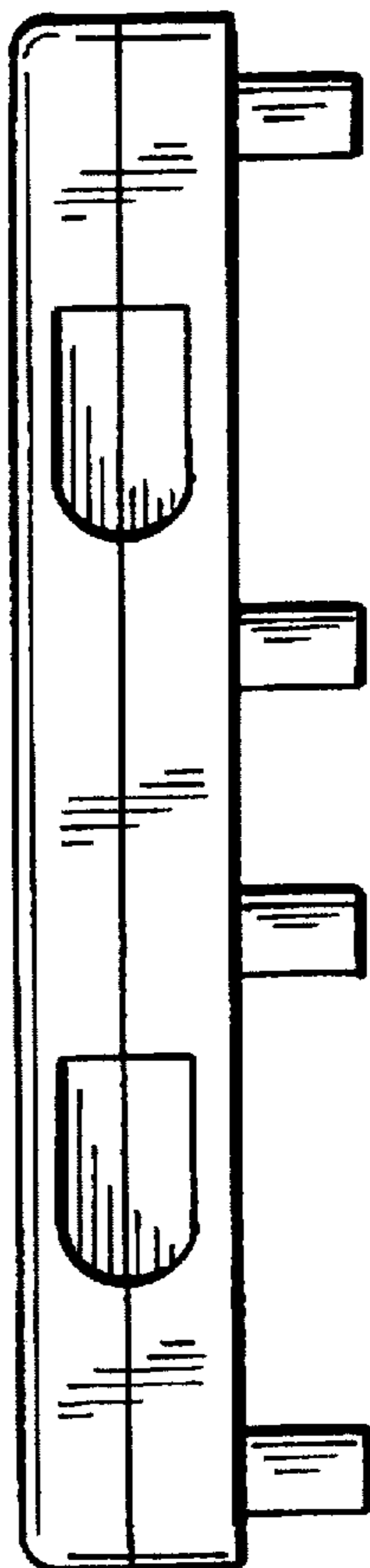


FIG. 4

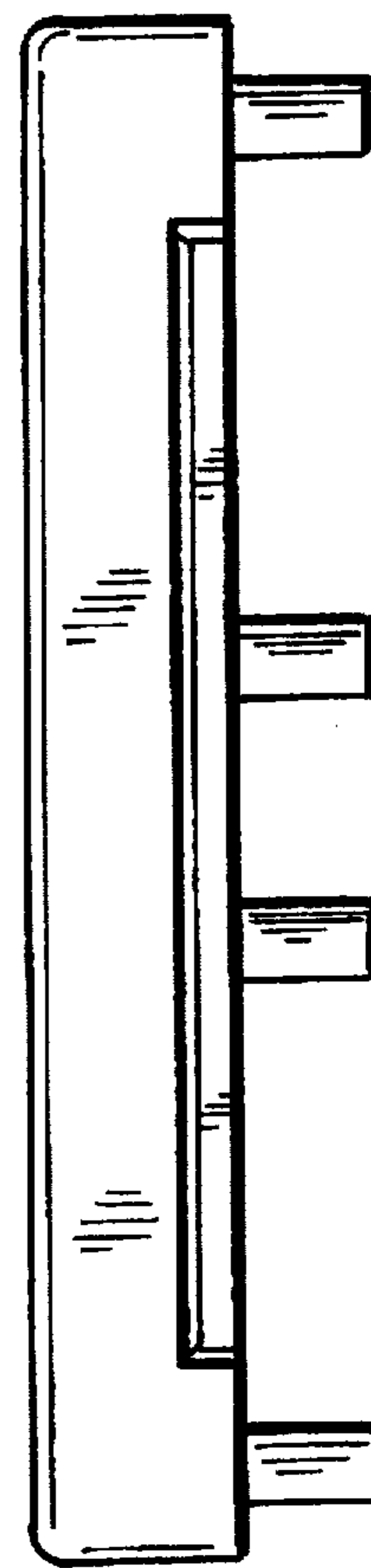


FIG. 3

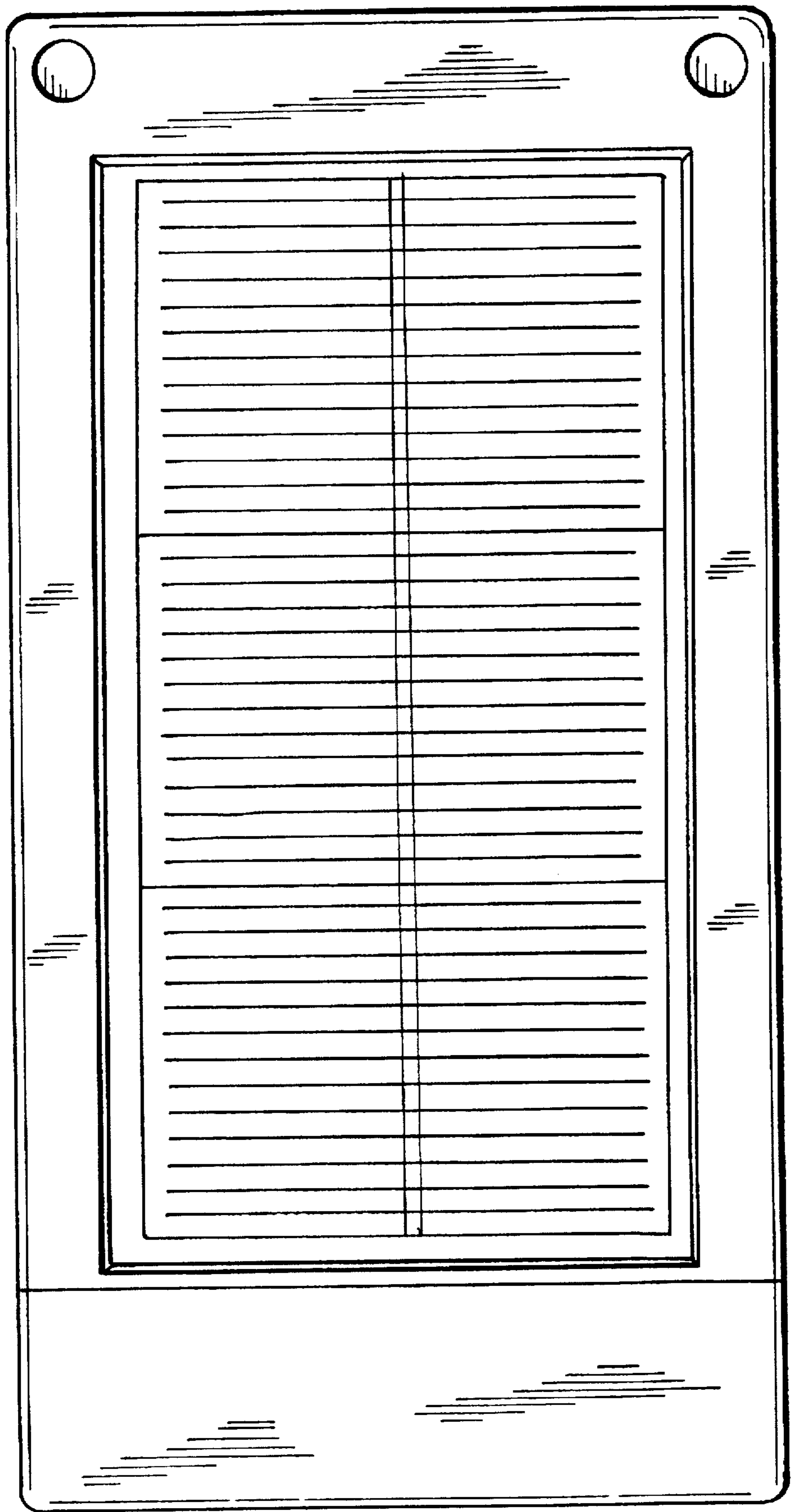


FIG. 5

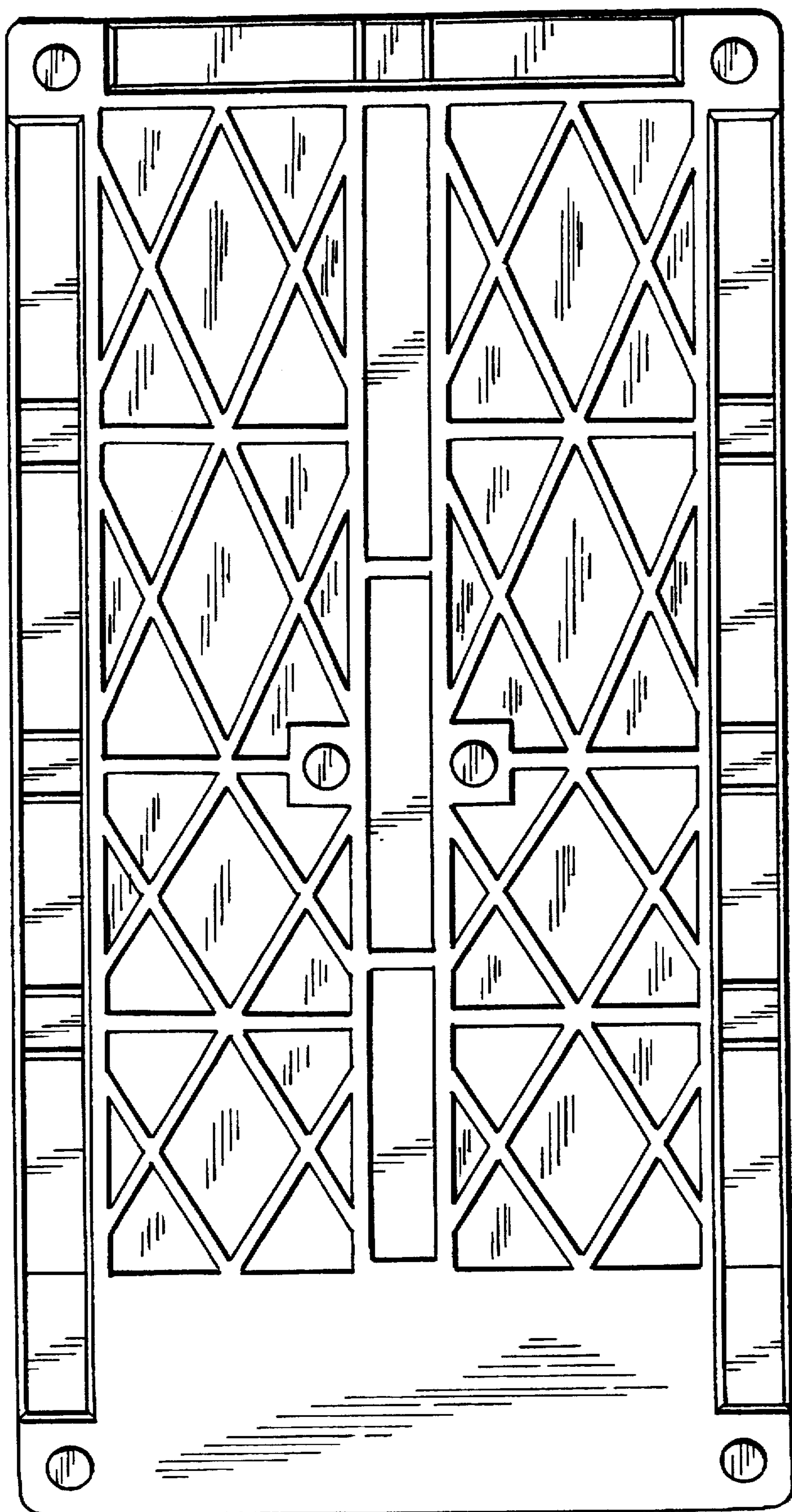


FIG. 6

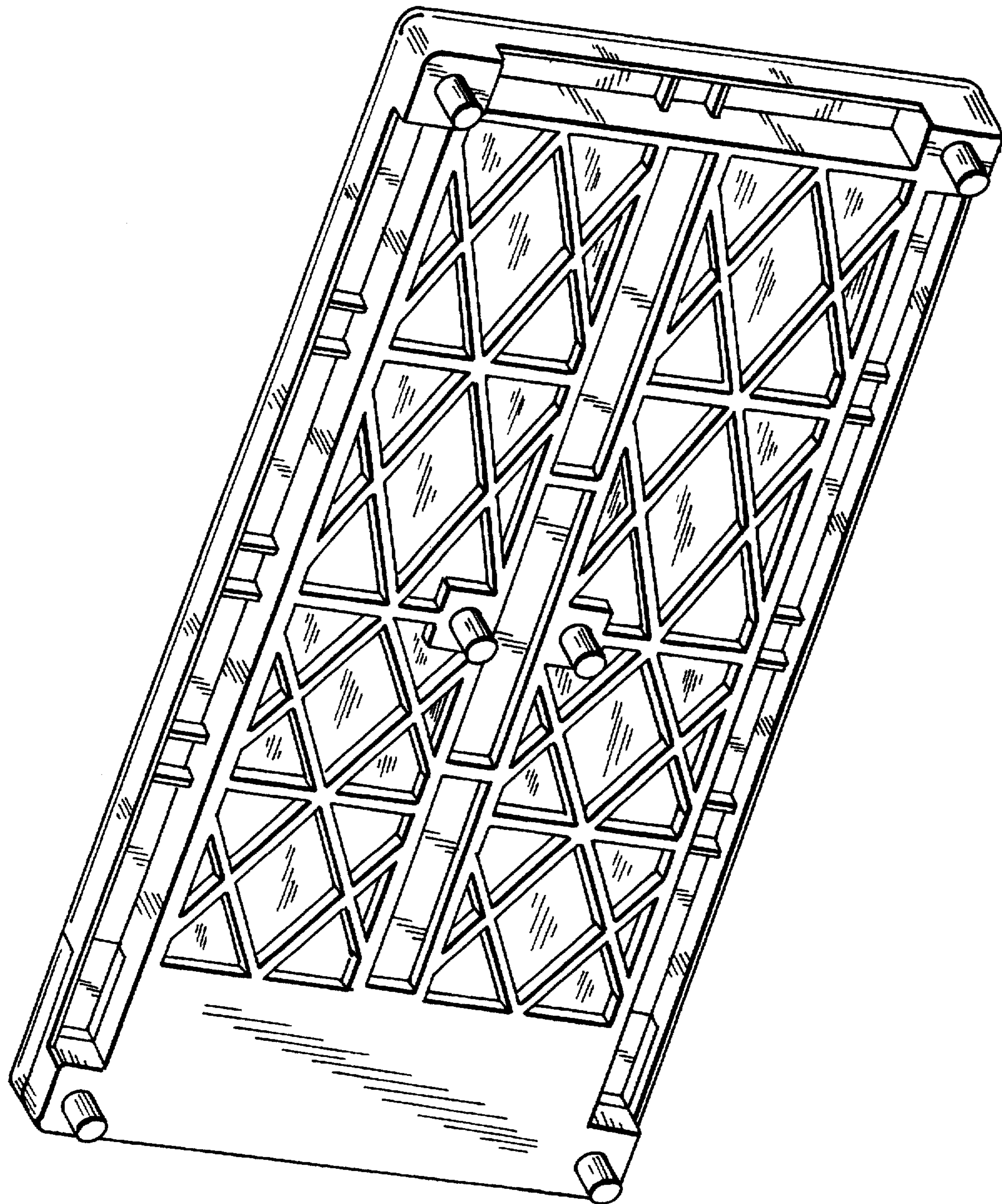


FIG. 7

