



US00D391920S

**United States Patent** [19]  
**Dempsey, Jr.**

[11] **Patent Number:** **Des. 391,920**  
[45] **Date of Patent:** **\*\*Mar. 10, 1998**

[54] **STORAGE BAG FOR BED OF A PICKUP TRUCK**

5,288,003 2/1994 MacDonald ..... 224/329 X  
5,538,169 7/1996 Moore ..... 224/328

[75] Inventor: **H. Lee Dempsey, Jr.**, Stockton, Calif.  
[73] Assignee: **The Buffalo Bag LLC**, Manteca, Calif.  
[\*\*] Term: **14 Years**

*Primary Examiner*—Doris V. Coles  
*Assistant Examiner*—Catherine R. Oliver  
*Attorney, Agent, or Firm*—Lothrop & West

[21] Appl. No.: **63,846**  
[22] Filed: **Dec. 17, 1996**

[57] **CLAIM**  
The ornamental design for a storage bag for bed of a pickup truck, as shown and described.

[51] **LOC (6) Cl.** ..... **12-16**  
[52] **U.S. Cl.** ..... **D12/423**  
[58] **Field of Search** ..... D12/400, 401,  
D12/423, 221, 406, 407; D3/243, 290;  
224/320, 321, 322, 323, 324, 325, 326,  
327, 328, 329; 150/166; 296/37.7, 100,  
165, 3, 37.6, 37.8

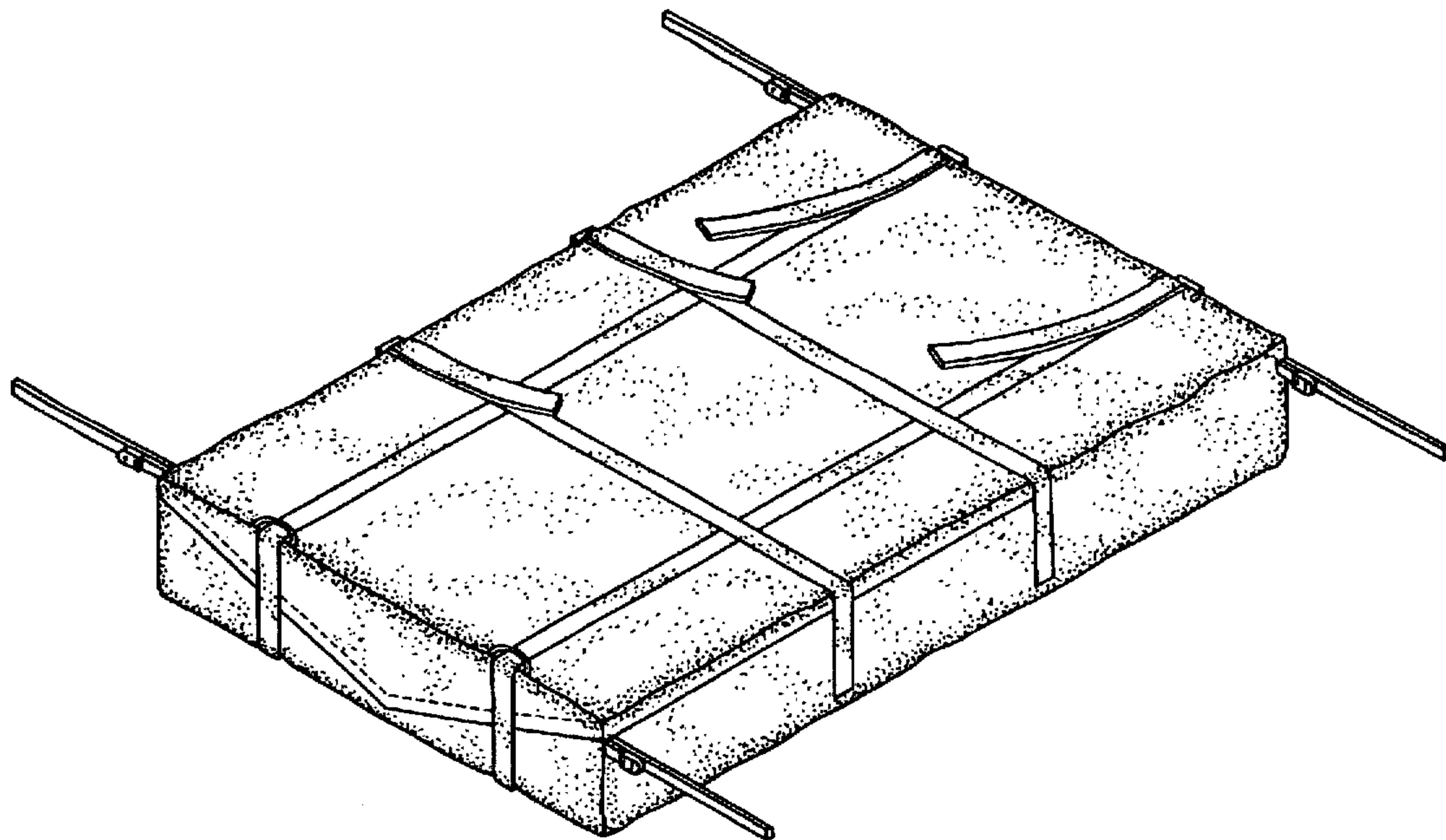
**DESCRIPTION**

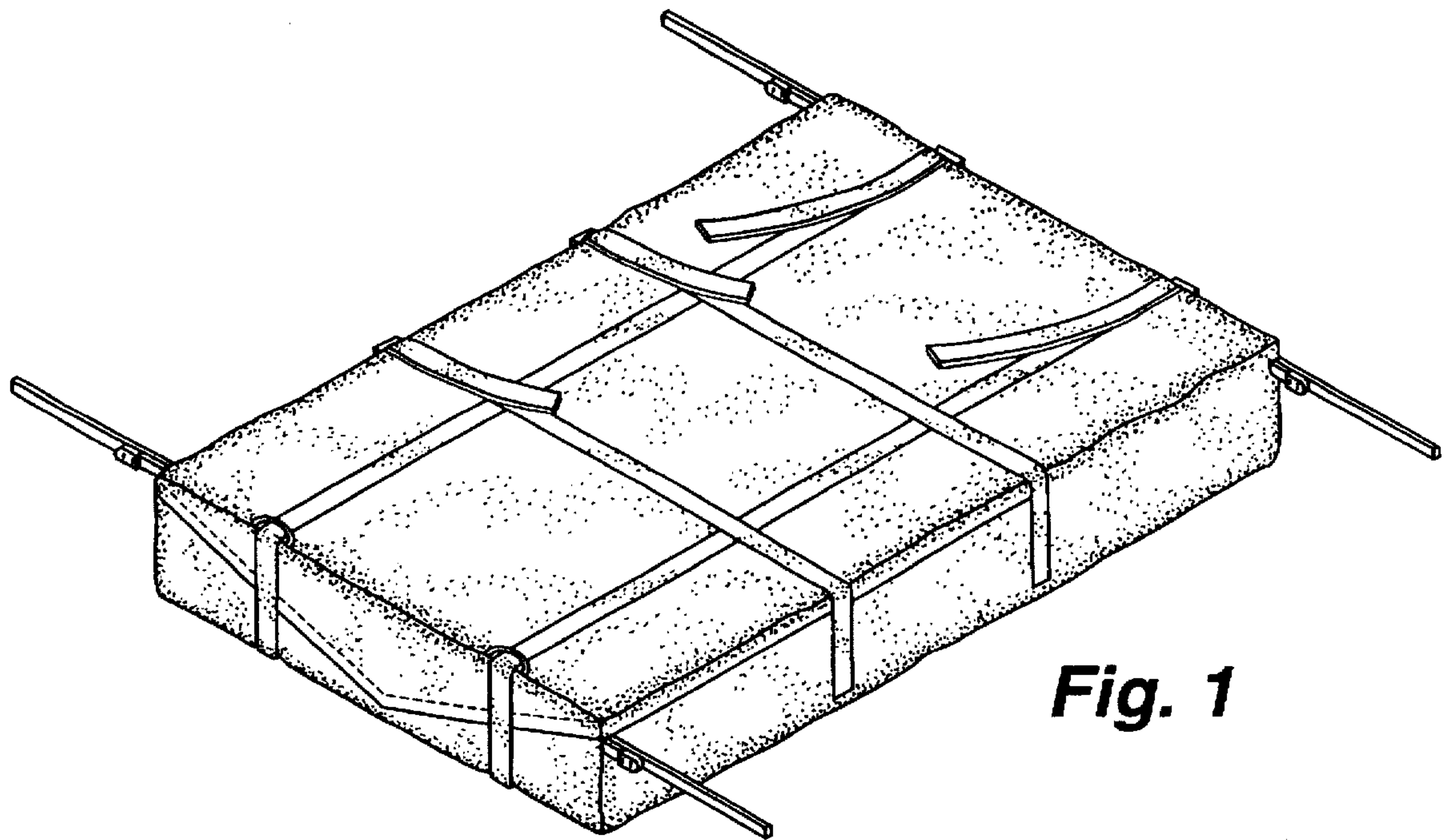
FIG. 1 is a right rear perspective view of a fully loaded storage bag for bed of a pickup truck, showing my new design;  
FIG. 2 is a top plan view;  
FIG. 3 is a bottom plan view;  
FIG. 4 is a right side elevational view;  
FIG. 5 is a left side elevational view;  
FIG. 6 is a rear elevational view;  
FIG. 7 is a front elevational view; and,  
FIG. 8 is a perspective view, shown in a partially loaded condition.

[56] **References Cited**  
**U.S. PATENT DOCUMENTS**

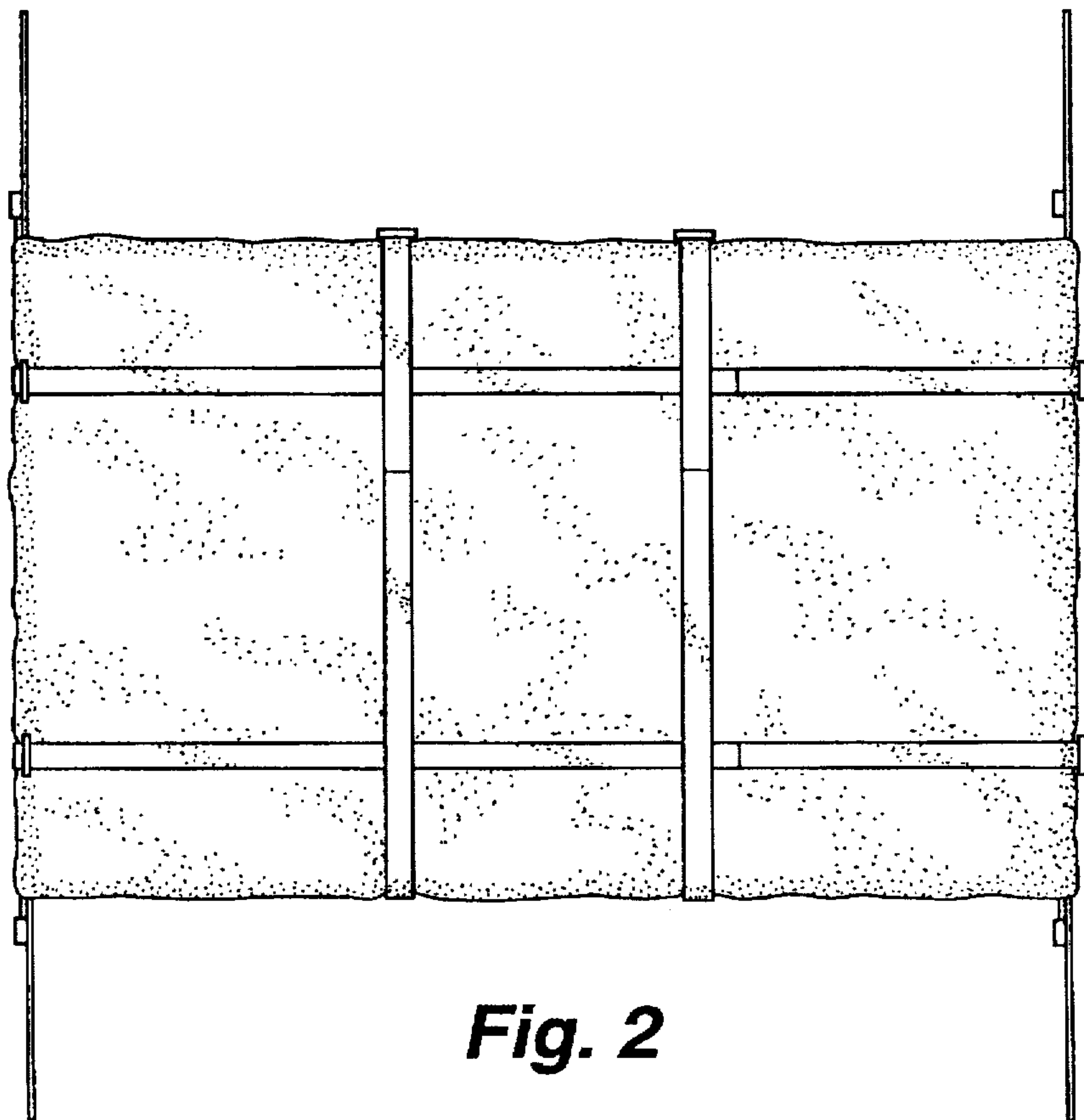
D. 373,106 8/1996 Guidi ..... D12/423  
4,050,614 9/1977 Simpson ..... 224/328  
4,779,779 10/1988 Haugland ..... 224/328

**1 Claim, 4 Drawing Sheets**

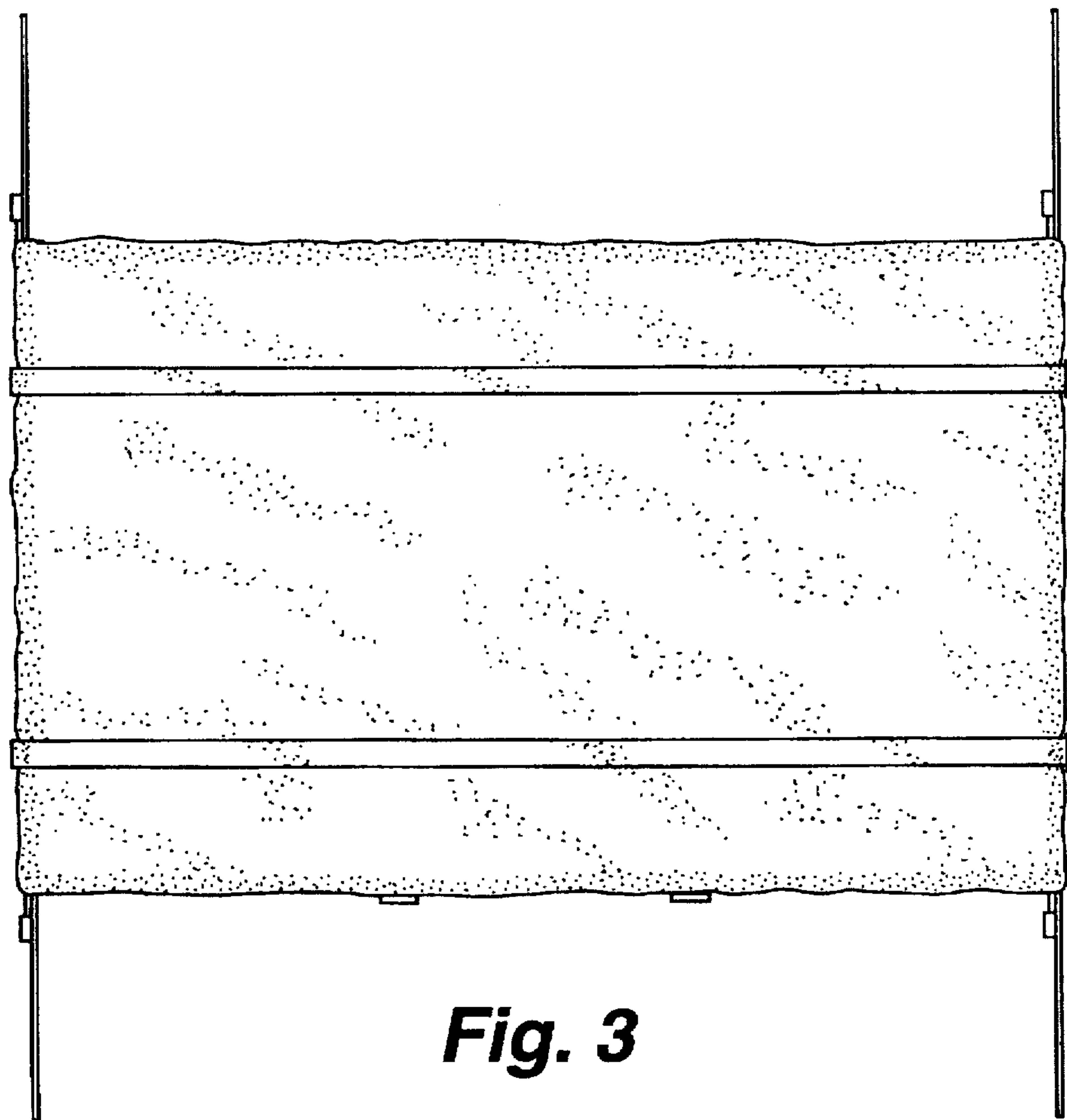




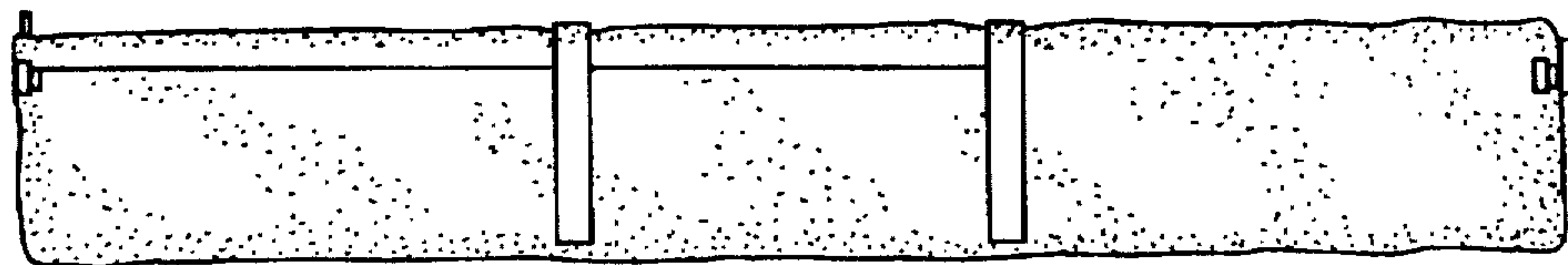
**Fig. 1**



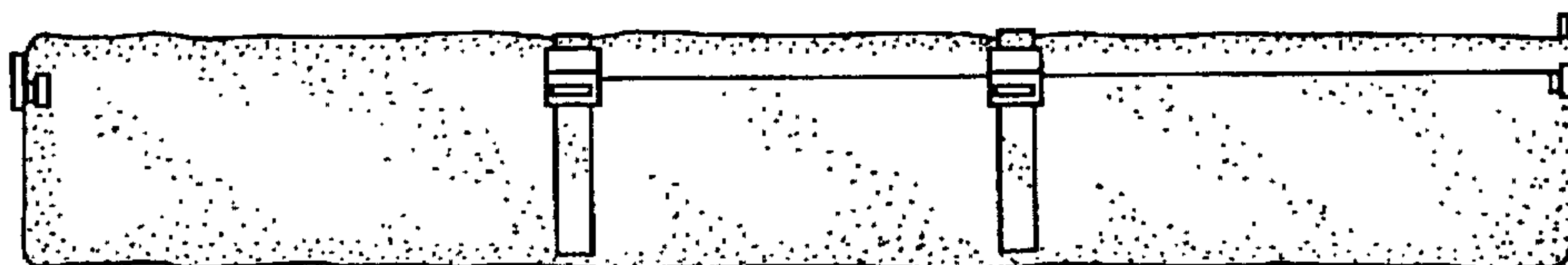
**Fig. 2**



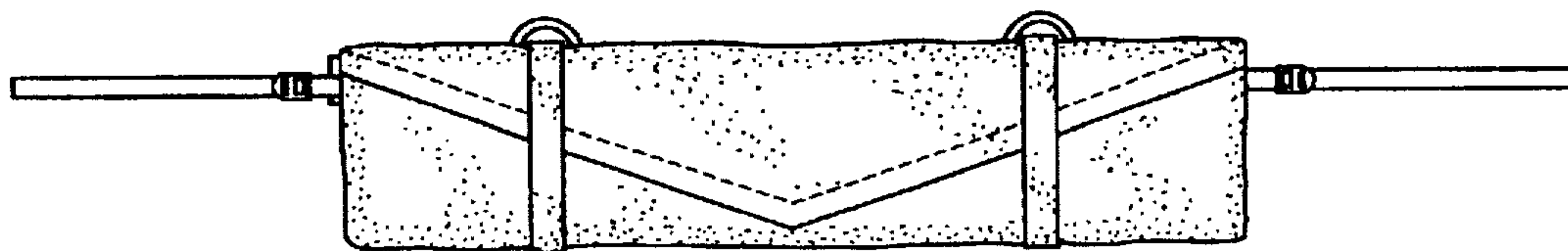
**Fig. 3**



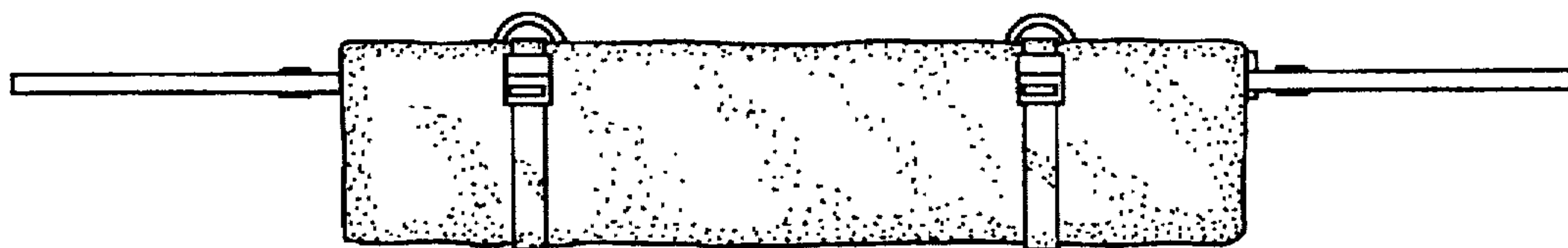
**Fig. 4**



**Fig. 5**

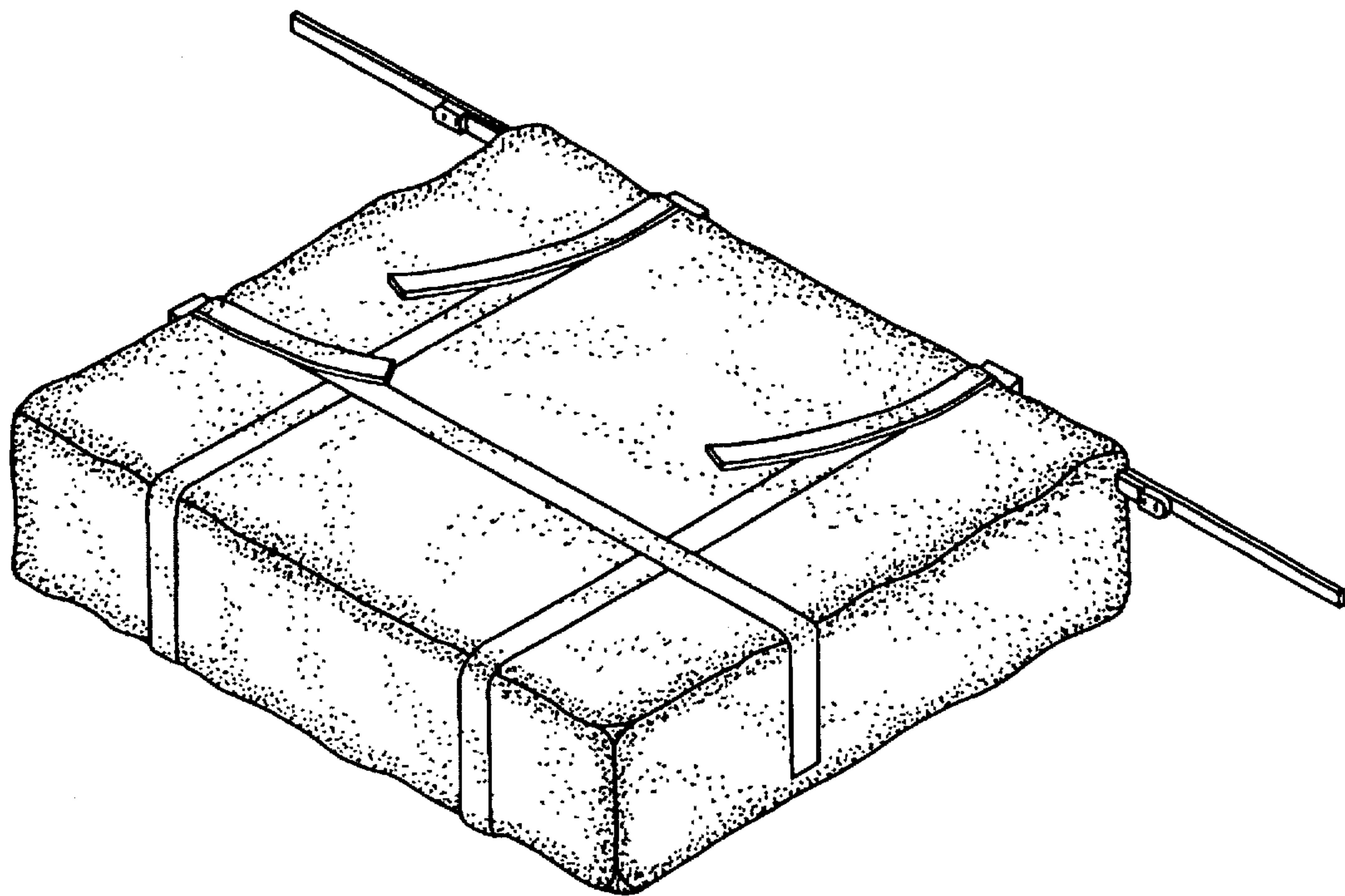


**Fig. 6**



**Fig. 7**





**Fig. 8**