



US00D391919S

United States Patent [19]
Brassard

[11] **Patent Number:** **Des. 391,919**
[45] **Date of Patent:** ****Mar. 10, 1998**

[54] **VISOR ATTACHED ARTICLE HOLDER**

[75] **Inventor:** **Paul Brassard**, Arcadia, Calif.

[73] **Assignee:** **Arkon Resources Inc.**, Arcadia, Calif.

[**] **Term:** **14 Years**

[21] **Appl. No.:** **49,695**

[22] **Filed:** **Jan. 29, 1996**

[51] **LOC (6) Cl.** **12-16**

[52] **U.S. Cl.** **D12/417**

[58] **Field of Search** D3/226, 215, 224,
D3/247, 248, 232, 249, 253, 265; 150/100,
112, 136, 138; D12/415, 416, 417, 418,
419, 420, 421, 422, 423; 296/97.6, 97,
97.5, 97.8; 224/312

[56] **References Cited**

U.S. PATENT DOCUMENTS

D. 362,159 9/1995 Singh D12/417 X
D. 369,777 5/1996 Singh et al. D12/417

5,195,668 3/1993 Kunes et al. D3/265
5,402,924 4/1995 Gilson 224/312
5,516,018 5/1996 Eskandry 224/312
5,590,827 1/1997 Nimpoeno D12/417 X

Primary Examiner—Doris V. Coles
Assistant Examiner—Catherine R. Oliver
Attorney, Agent, or Firm—James E. Brunton

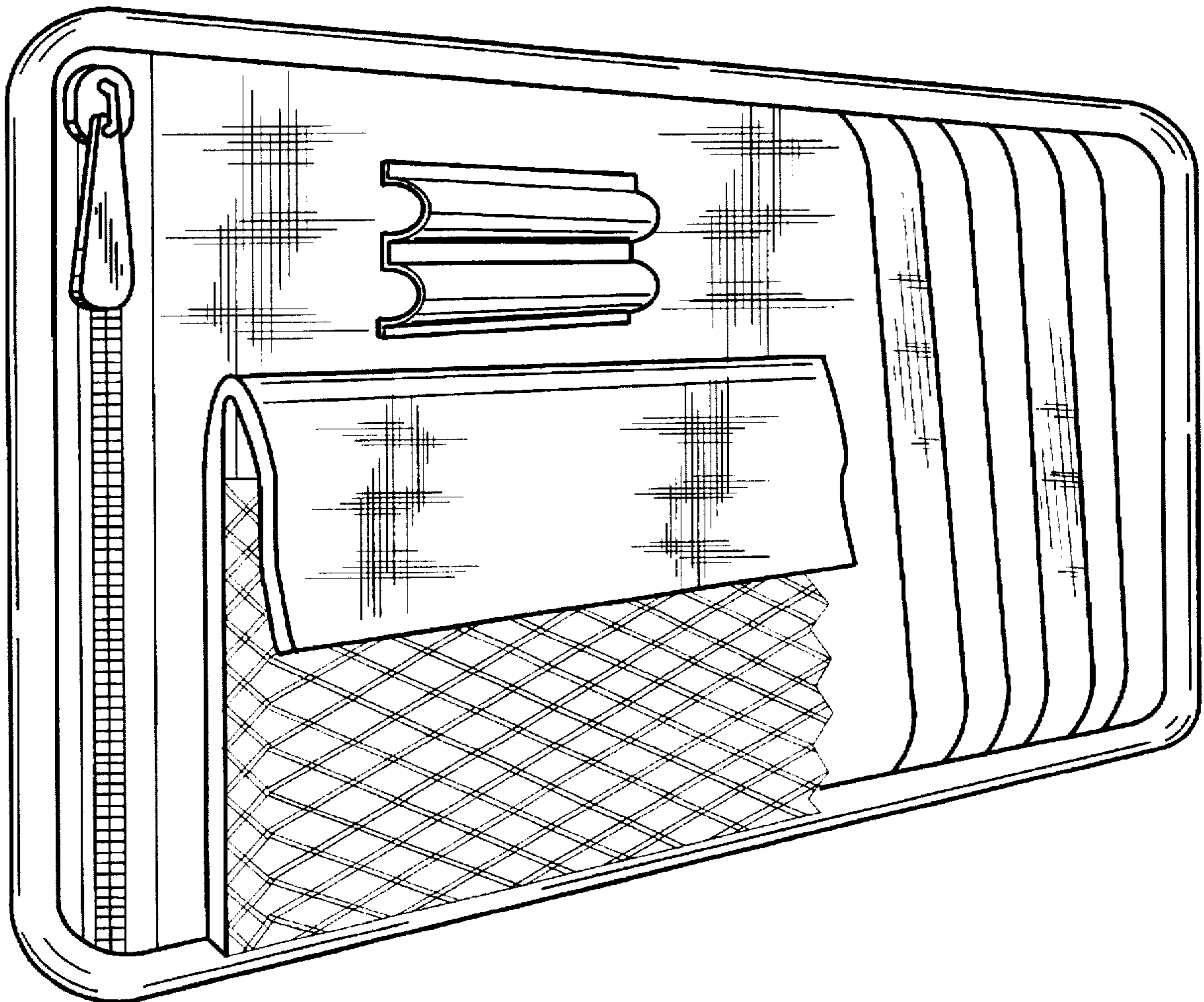
[57] **CLAIM**

The ornamental design for a visor attached article holder, as shown.

DESCRIPTION

FIG. 1 is a perspective view of a visor attached article holder showing my new design;
FIG. 2 is a front view thereof;
FIG. 3 is a rear view thereof;
FIG. 4 is a top view thereof;
FIG. 5 is a bottom view thereof;
FIG. 6 is a right view thereof; and,
FIG. 7 is a left side view thereof.

1 Claim, 3 Drawing Sheets



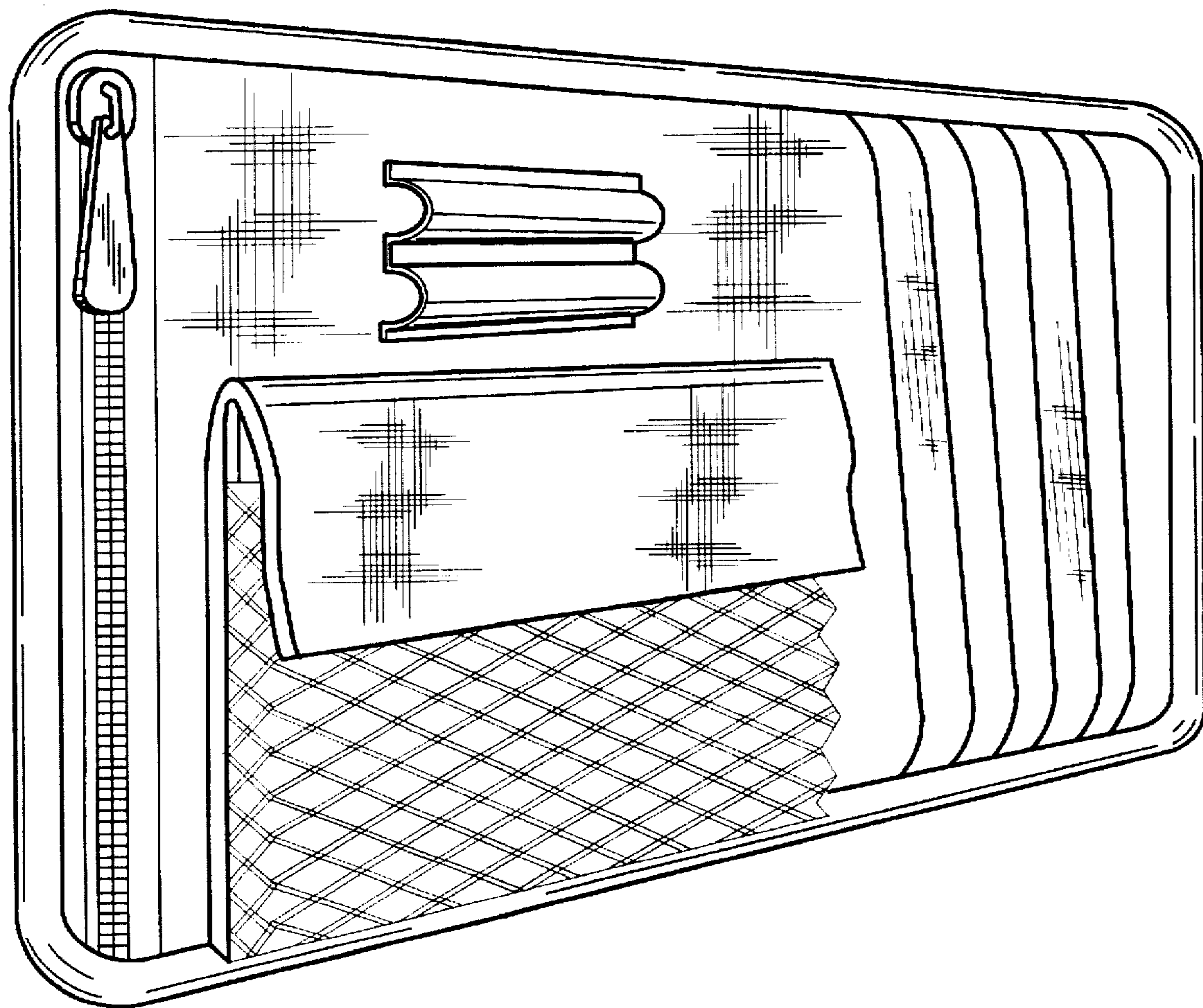


FIGURE 1

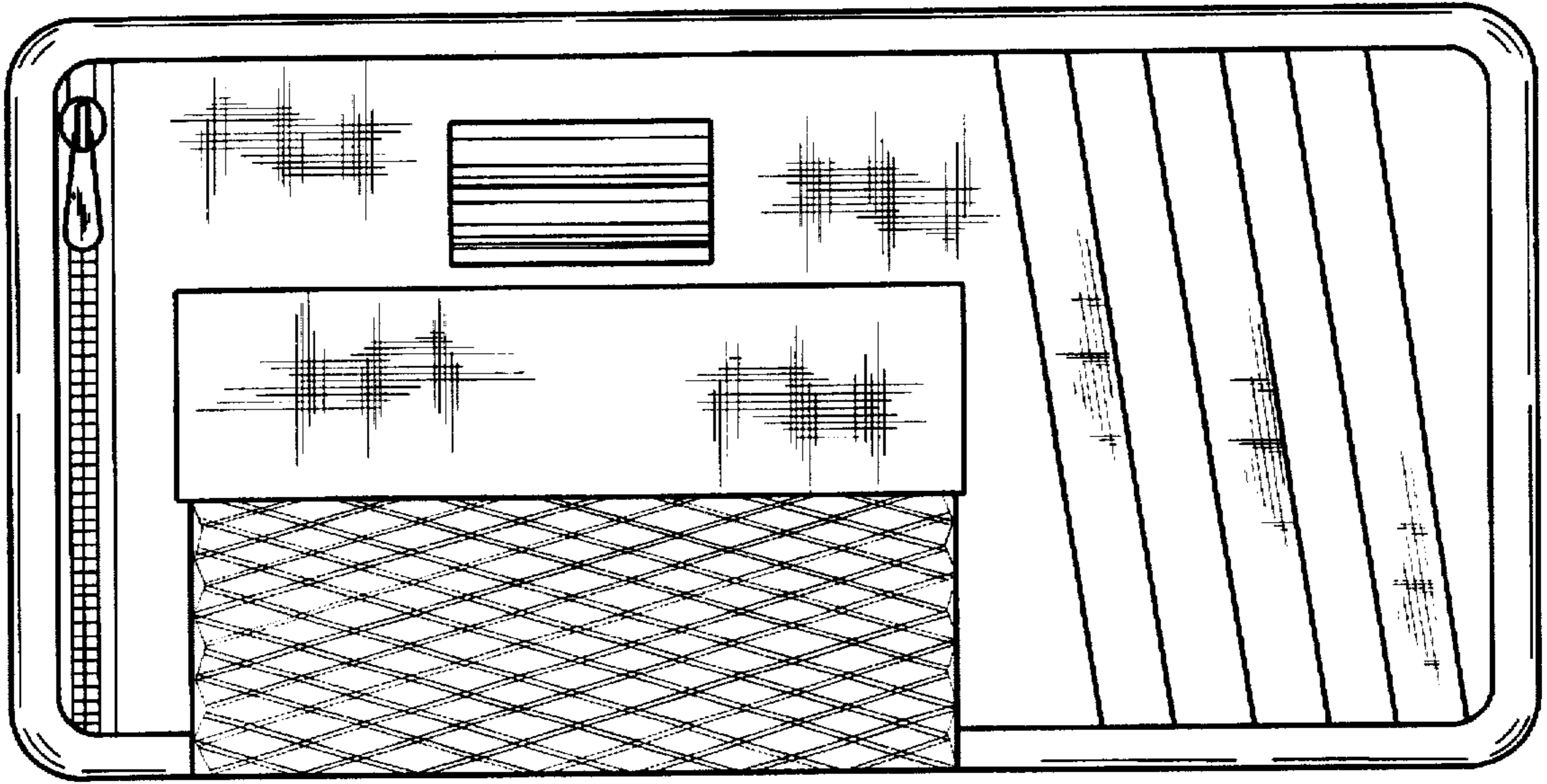


FIGURE 2

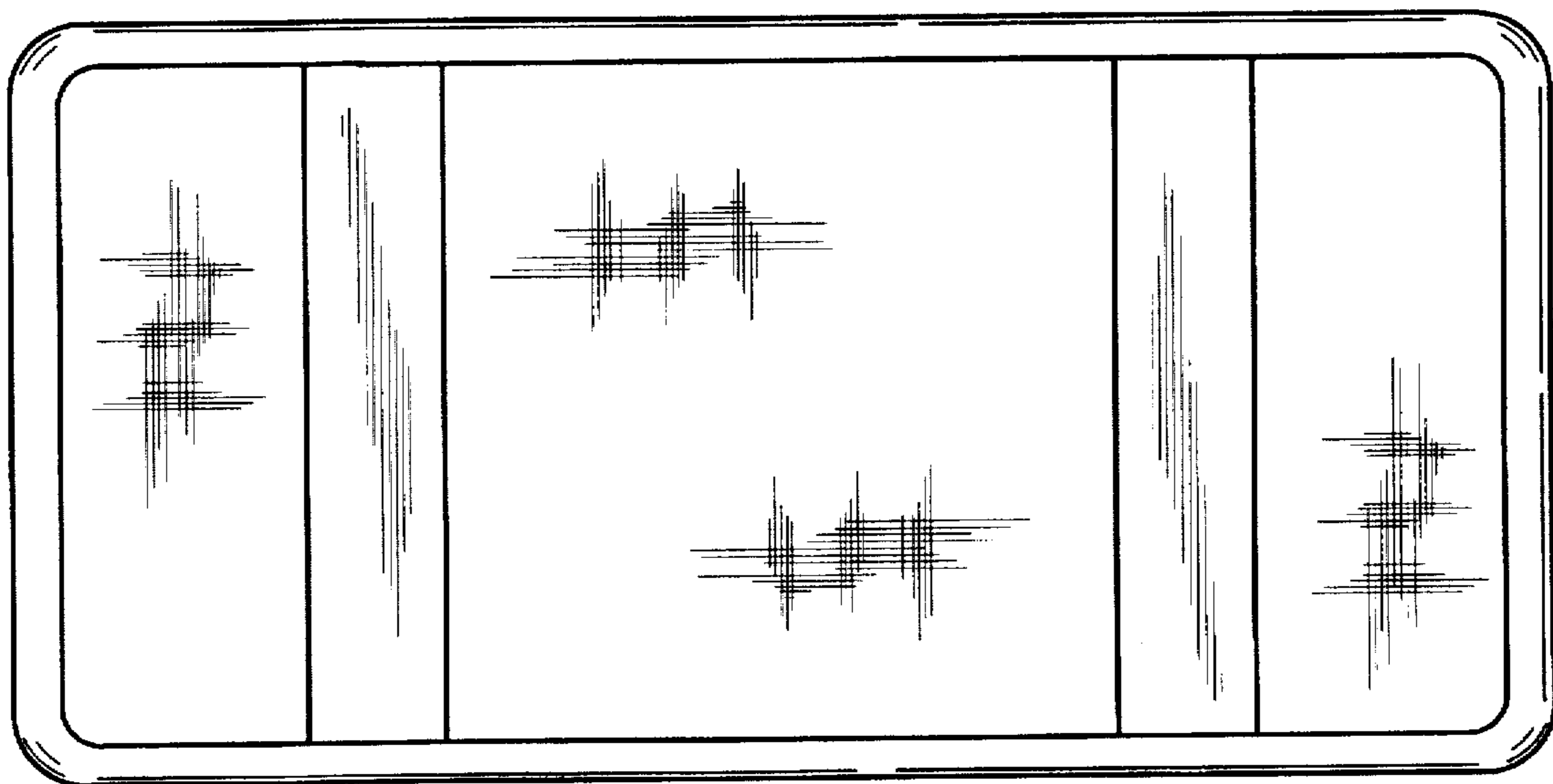


FIGURE 3

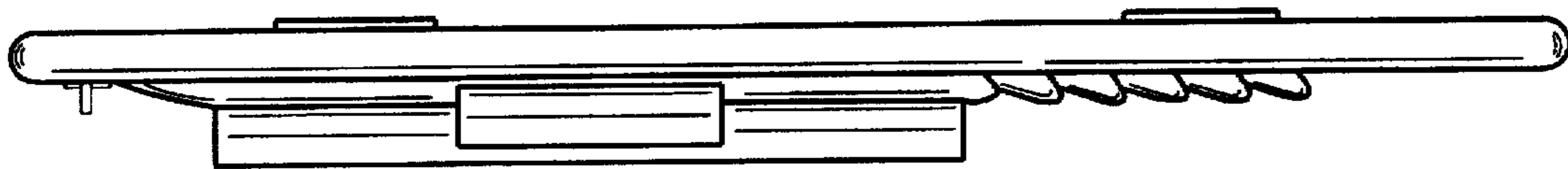


FIGURE 4

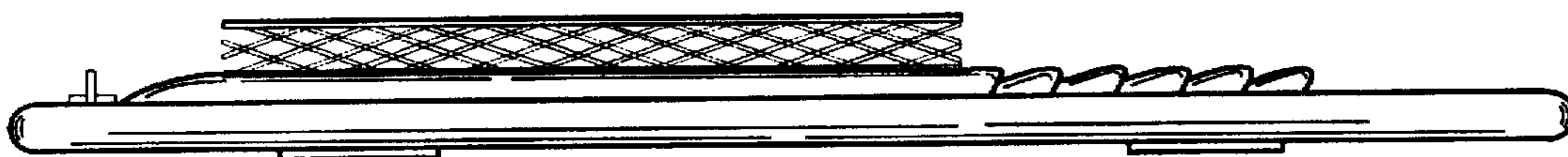


FIGURE 5

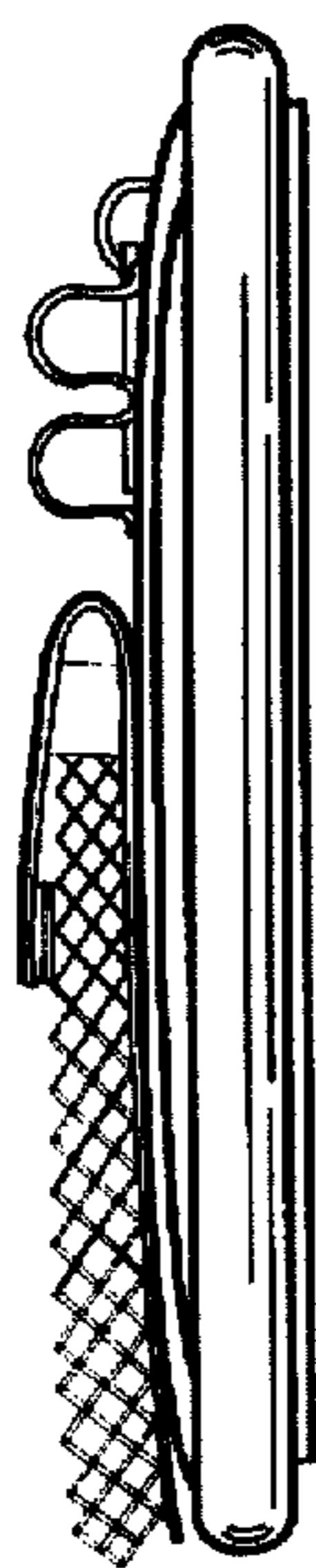


FIGURE 6

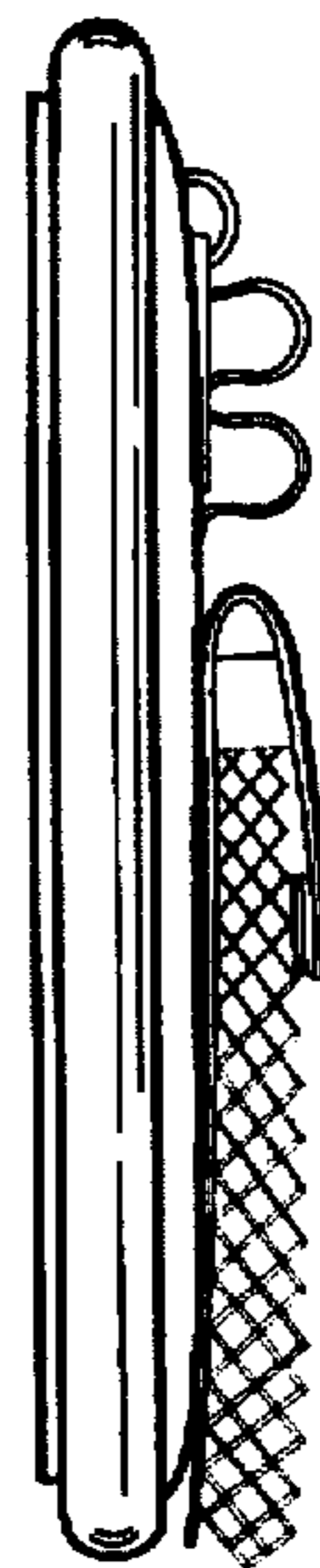


FIGURE 7