



US00D391915S

**United States Patent** [19]  
**Miller**

[11] **Patent Number: Des. 391,915**  
[45] **Date of Patent: \*\*Mar. 10, 1998**

[54] **SADDLE BAG MOUNTING BRACKET FOR A MOTORCYCLE**

[75] **Inventor: Larry L. Miller, Rossburg, Ohio**

[73] **Assignee: M.L.W. Custom Cycle, Inc., Versailles, Ohio**

[\*\*] **Term: 14 Years**

[21] **Appl. No.: 61,968**

[22] **Filed: Nov. 4, 1996**

[51] **LOC (6) Cl. .... 12-06**

[52] **U.S. Cl. .... D12/223; D8/354**

[58] **Field of Search ..... D8/354, 349; D12/223, D12/114; 280/96.1; 180/219; 248/300, 200, 201, 27.1**

1,765,410 6/1930 Folberth et al. .  
2,180,219 11/1939 Wormley .  
3,414,228 12/1968 Jennings .  
3,711,050 1/1973 Case .  
3,740,013 6/1973 Bentley et al. .  
4,157,800 6/1979 Senter et al. .

**OTHER PUBLICATIONS**

Montrose Supply and Equipment Catalog, May 9, 1977, p. 229, mounting bracket found at right side of page. Saddle Supports by Winn Products—1994, p. 387.

*Primary Examiner*—Holly Baynham  
*Attorney, Agent, or Firm*—Jacox, Meckstroth & Jenkins

[57] **CLAIM**

The ornamental design of a saddle bag mounting bracket for a motorcycle, as shown and described.

**DESCRIPTION**

FIG. 1 is a front view of a saddle bag mounting bracket for a motorcycle showing my new design;  
FIG. 2 is an end view thereof;  
FIG. 3 is an opposite end view thereof;  
FIG. 4 is rear view thereof;  
FIG. 5 is a top view thereof; and,  
FIG. 6 is a bottom view thereof.

**1 Claim, 1 Drawing Sheet**

[56] **References Cited**

**U.S. PATENT DOCUMENTS**

D. 87,702 9/1932 Aufiero .  
D. 192,849 5/1962 McEvoy et al. .  
D. 245,312 8/1977 Rasmussen .  
D. 255,323 6/1980 Palmroth .  
D. 274,803 7/1984 Hughes .  
D. 288,171 2/1987 Dey .  
D. 313,338 1/1991 Rasmussen .

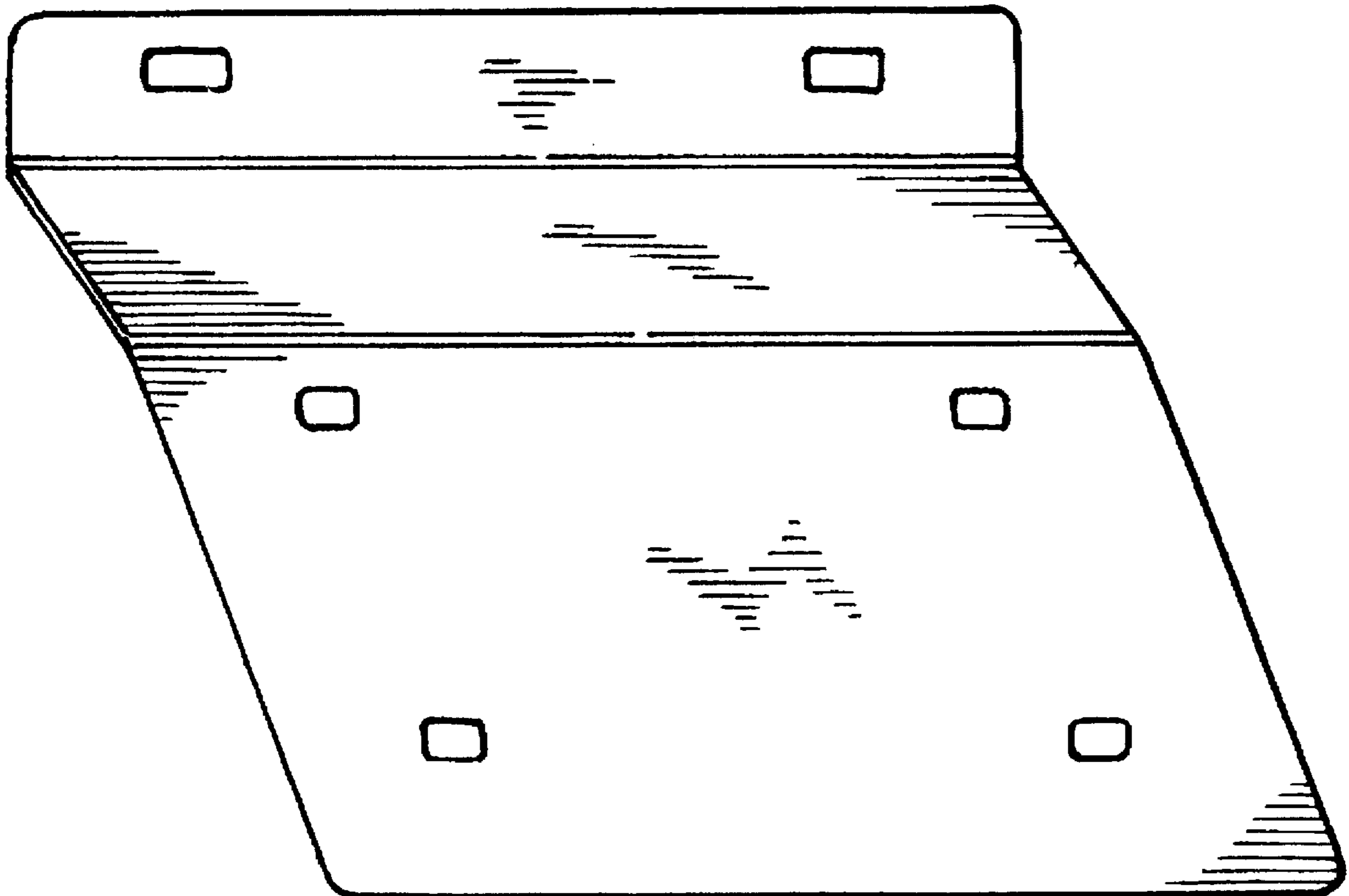


FIG-1

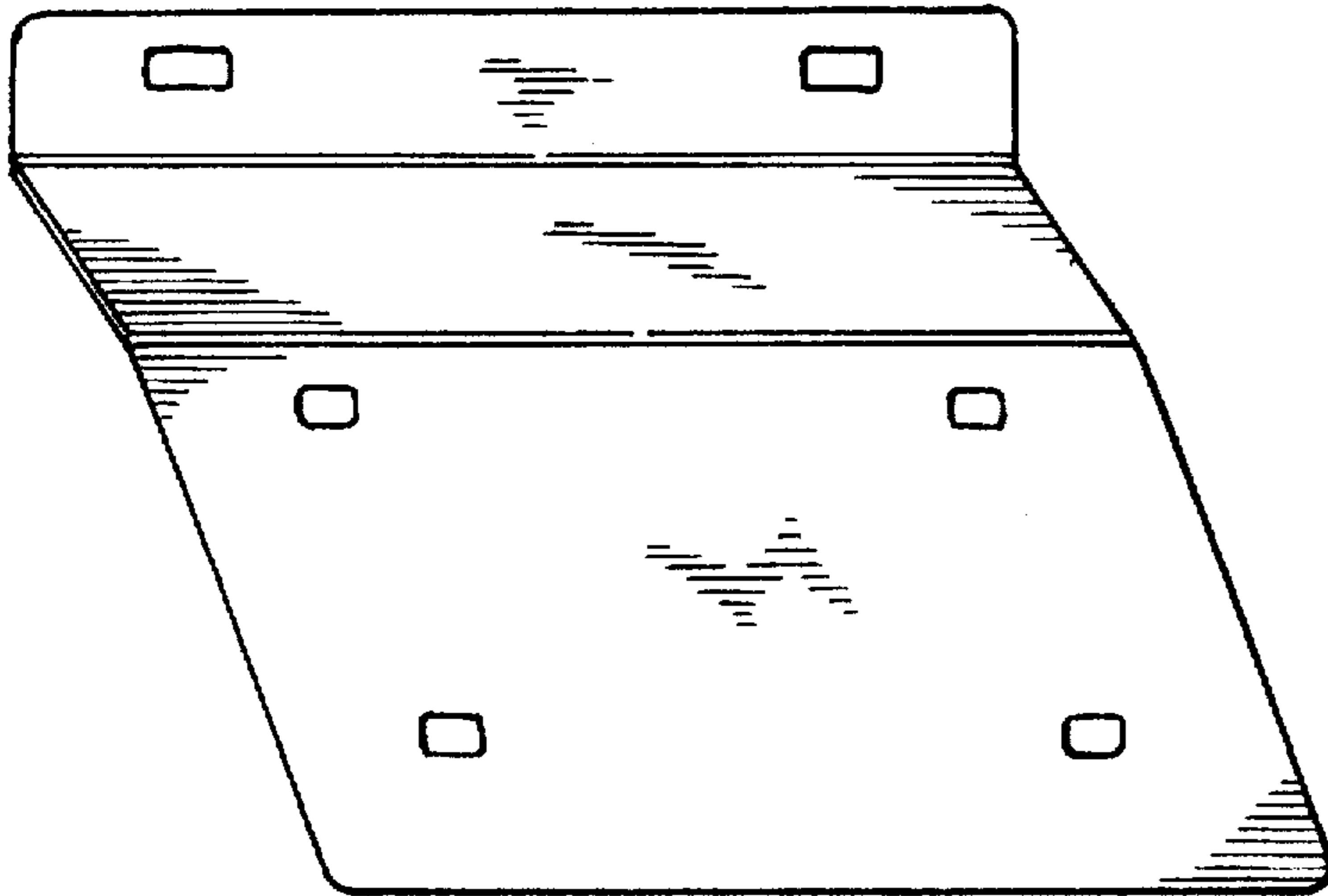


FIG-2

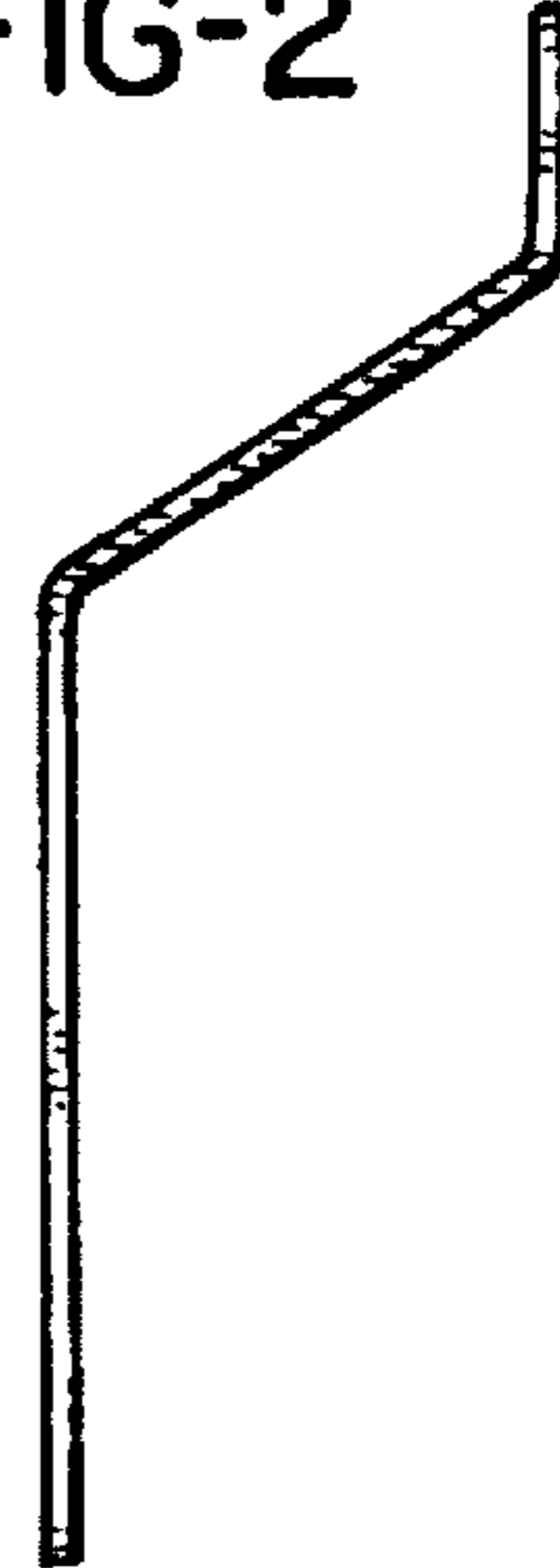


FIG-3

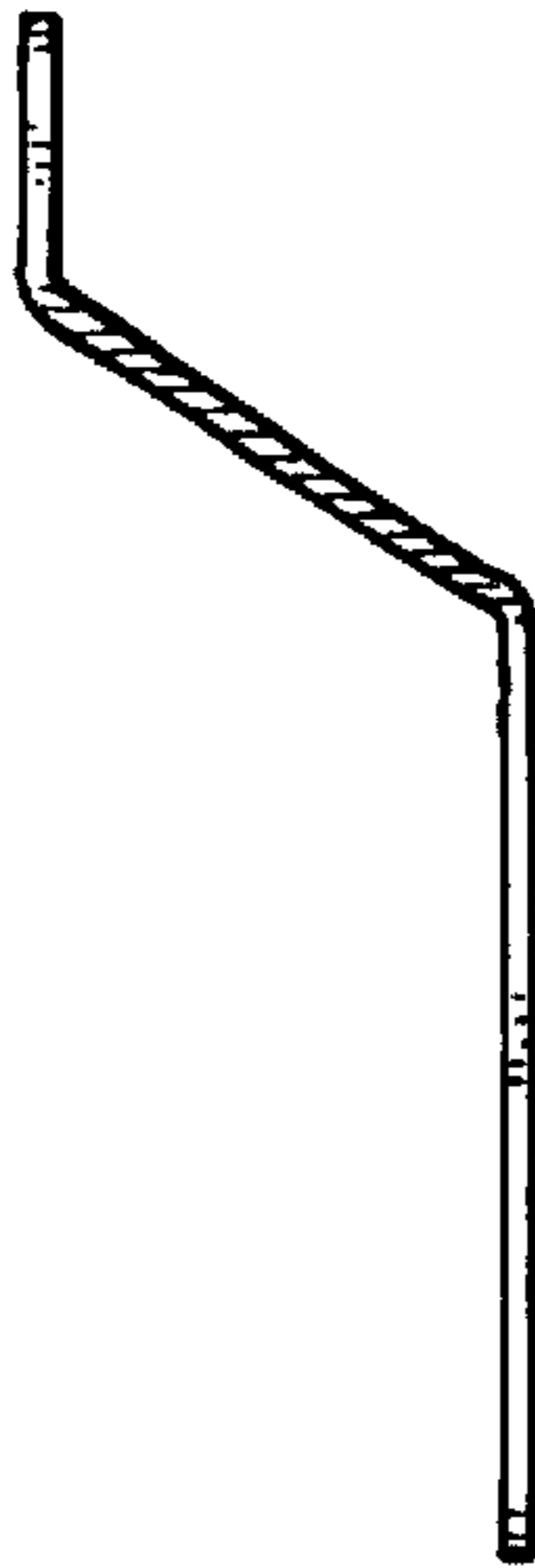


FIG-4

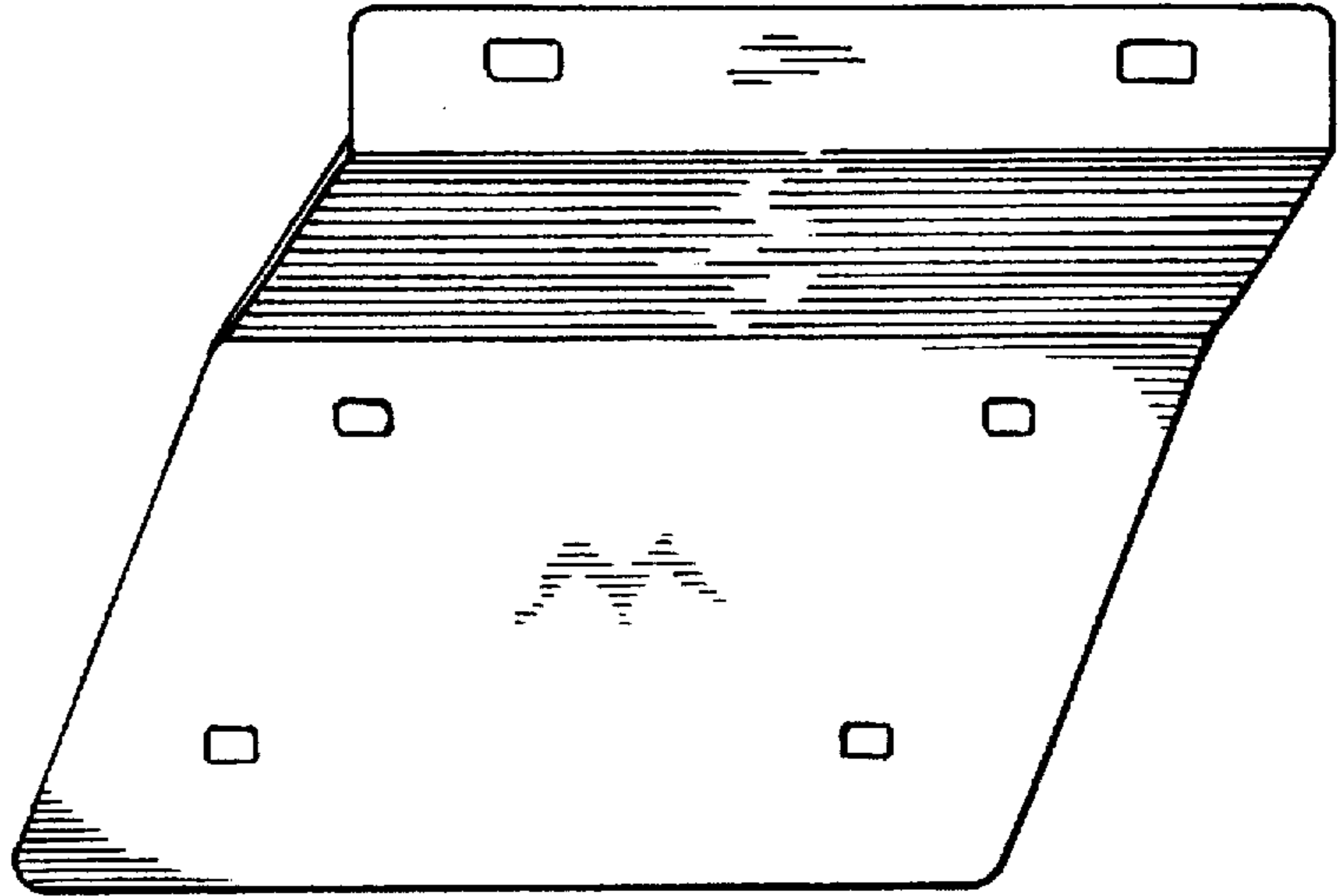


FIG-5

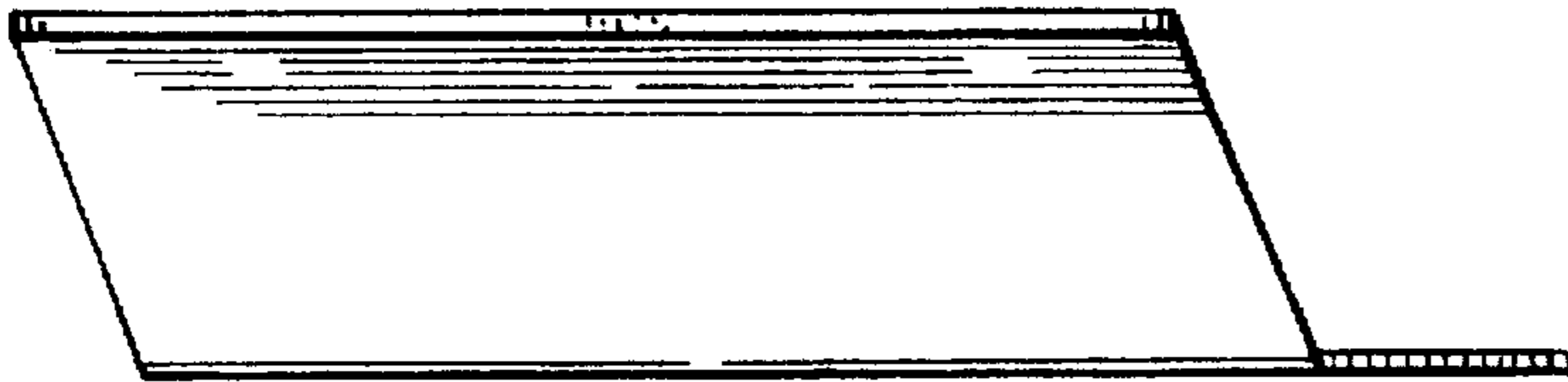


FIG-6

