

US00D391899S

United States Patent [19]

Chibuka et al.

[11] Patent Number: **Des. 391,899**

[45] Date of Patent: ****Mar. 10, 1998**

[54] **AUTOMOBILE**

[75] Inventors: **Shinri Chibuka; Yoji Hayashi; Toshihiro Ono; Junichi Yamaguchi; Kenji Kawasaki**, all of Wako, Japan

[73] Assignee: **Honda Giken Kogyo Kabushiki Kaisha**, Tokyo, Japan

[**] Term: **14 Years**

[21] Appl. No.: **60,385**

[22] Filed: **Sep. 27, 1996**

[30] **Foreign Application Priority Data**

Apr. 22, 1996 [JP] Japan 8-11674

[51] LOC (6) Cl. **12-08**

[52] U.S. Cl. **D12/91**

[58] Field of Search D12/86, 90-92; 296/185

[56] **References Cited**

U.S. PATENT DOCUMENTS

D. 251,587 4/1979 Marson D12/90
D. 298,521 11/1988 Ui et al. D12/91

D. 346,990 5/1994 Abbott et al. D12/91
D. 357,648 4/1995 Osawa et al. D12/91
D. 372,685 8/1996 Hattori et al. D12/91
D. 372,686 8/1996 Hattori et al. D12/91

OTHER PUBLICATIONS

Car Styling Magazine, Jul. 1996.

Primary Examiner—Melody N. Brown

Attorney, Agent, or Firm—Nikaido, Marmelstein, Murray & Oram LLP

[57] **CLAIM**

The ornamental design for an automobile, as shown and described.

DESCRIPTION

FIG. 1 is a left-front perspective view of an automobile showing our new design;
FIG. 2 is a left-rear perspective view thereof;
FIG. 3 is a front view thereof;
FIG. 4 is a rear view thereof;
FIG. 5 is a top plan view thereof;
FIG. 6 is a left side view thereof; and,
FIG. 7 is a right side view thereof.

1 Claim, 6 Drawing Sheets

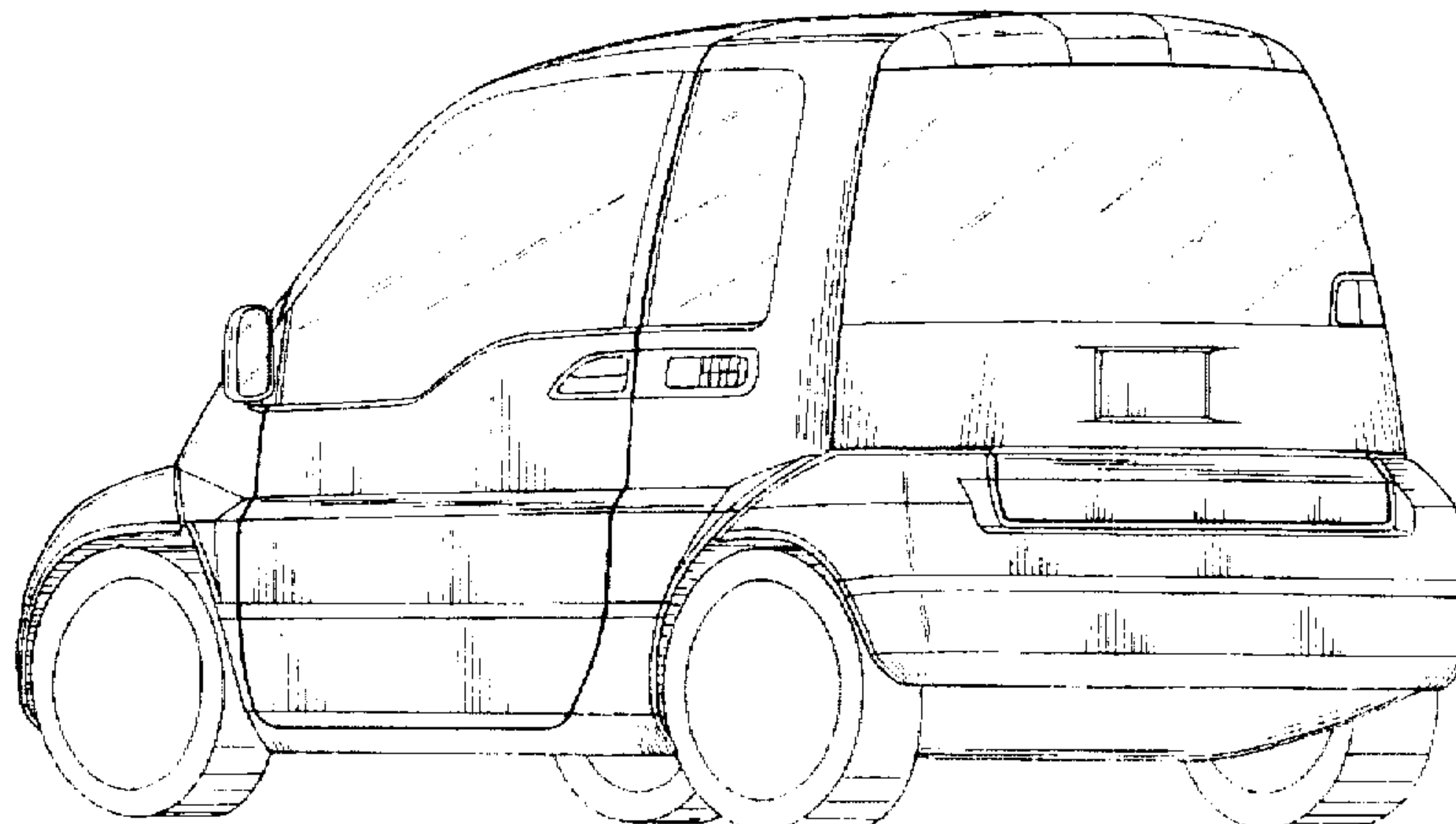
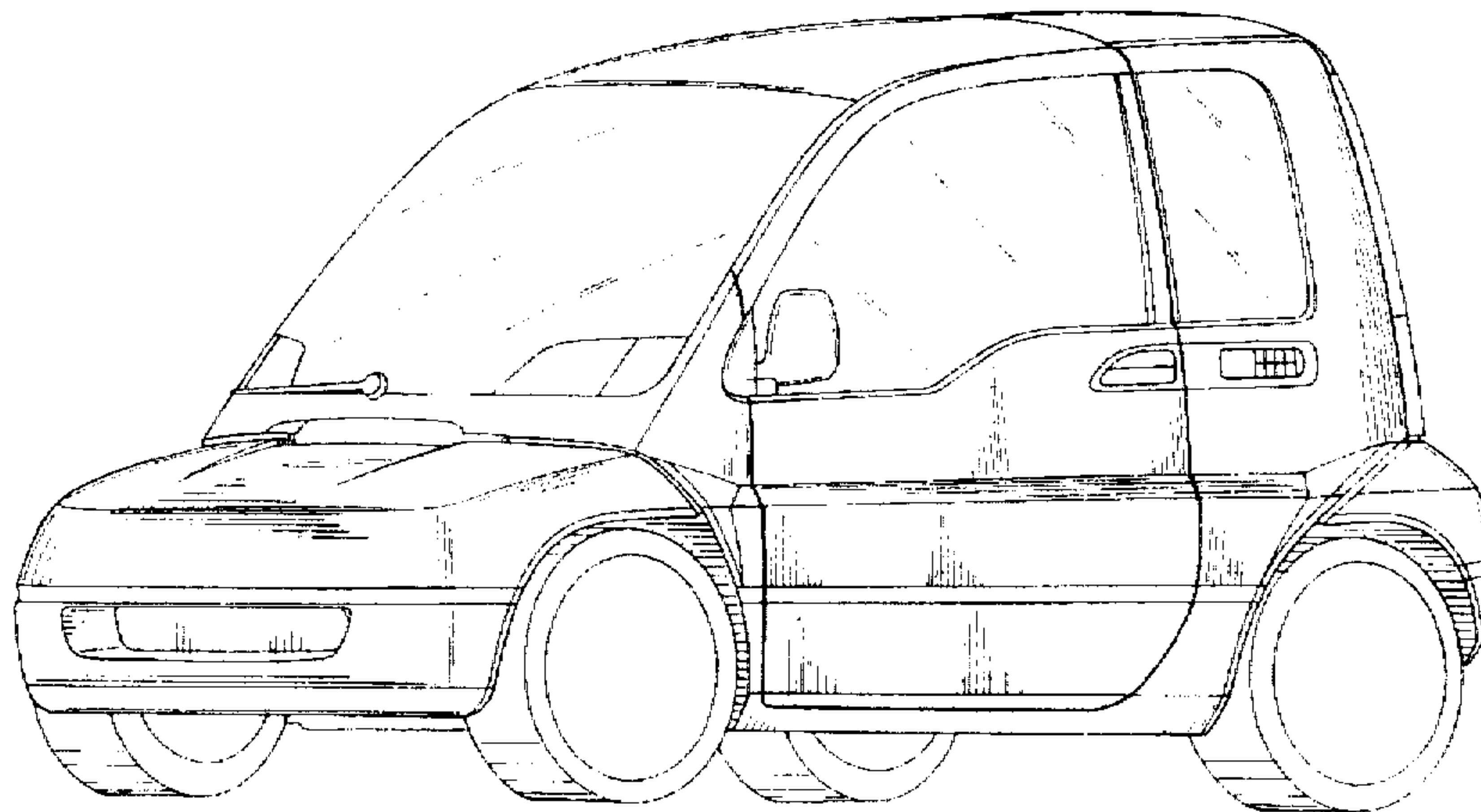


FIG.1

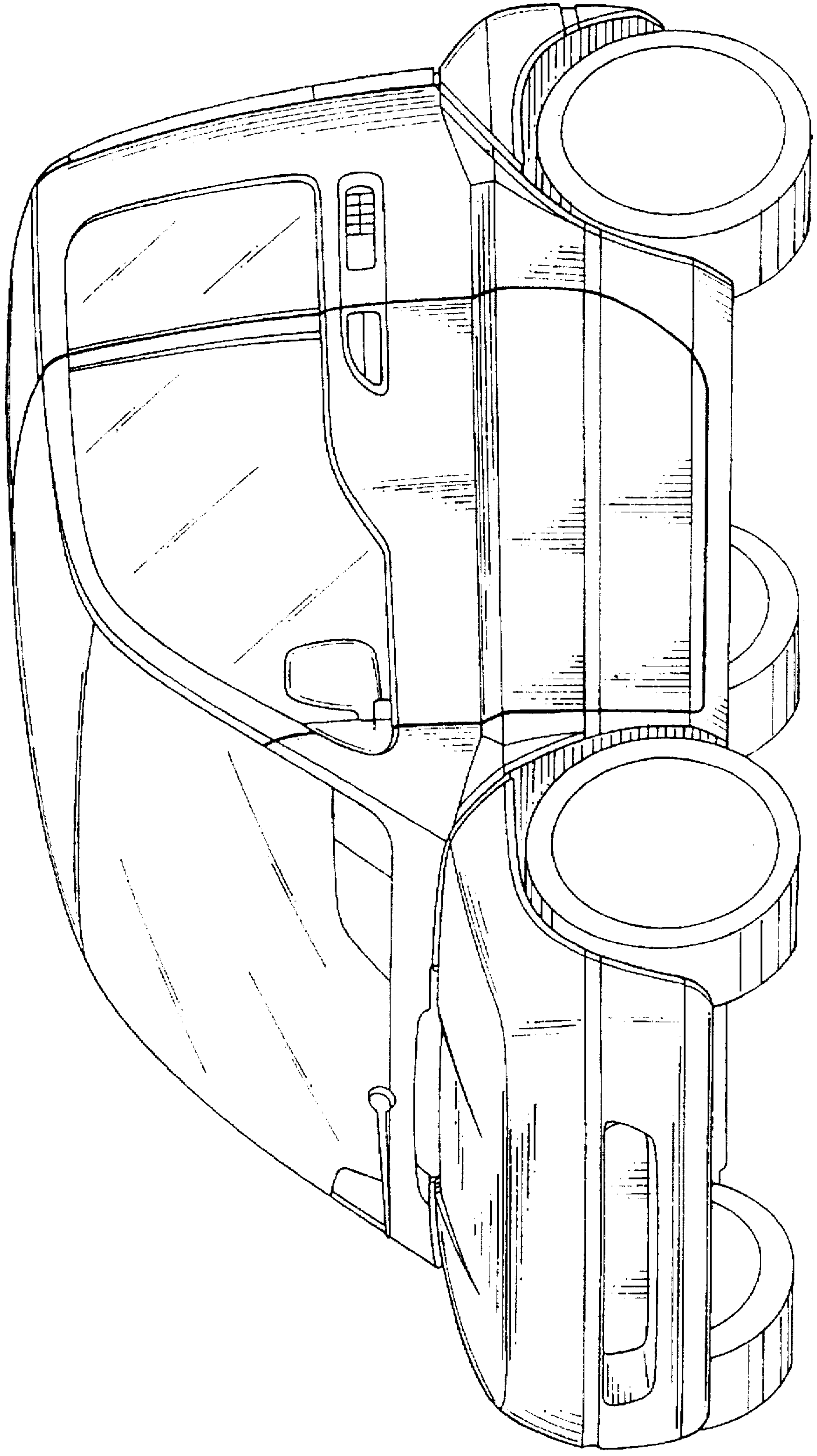


FIG. 2

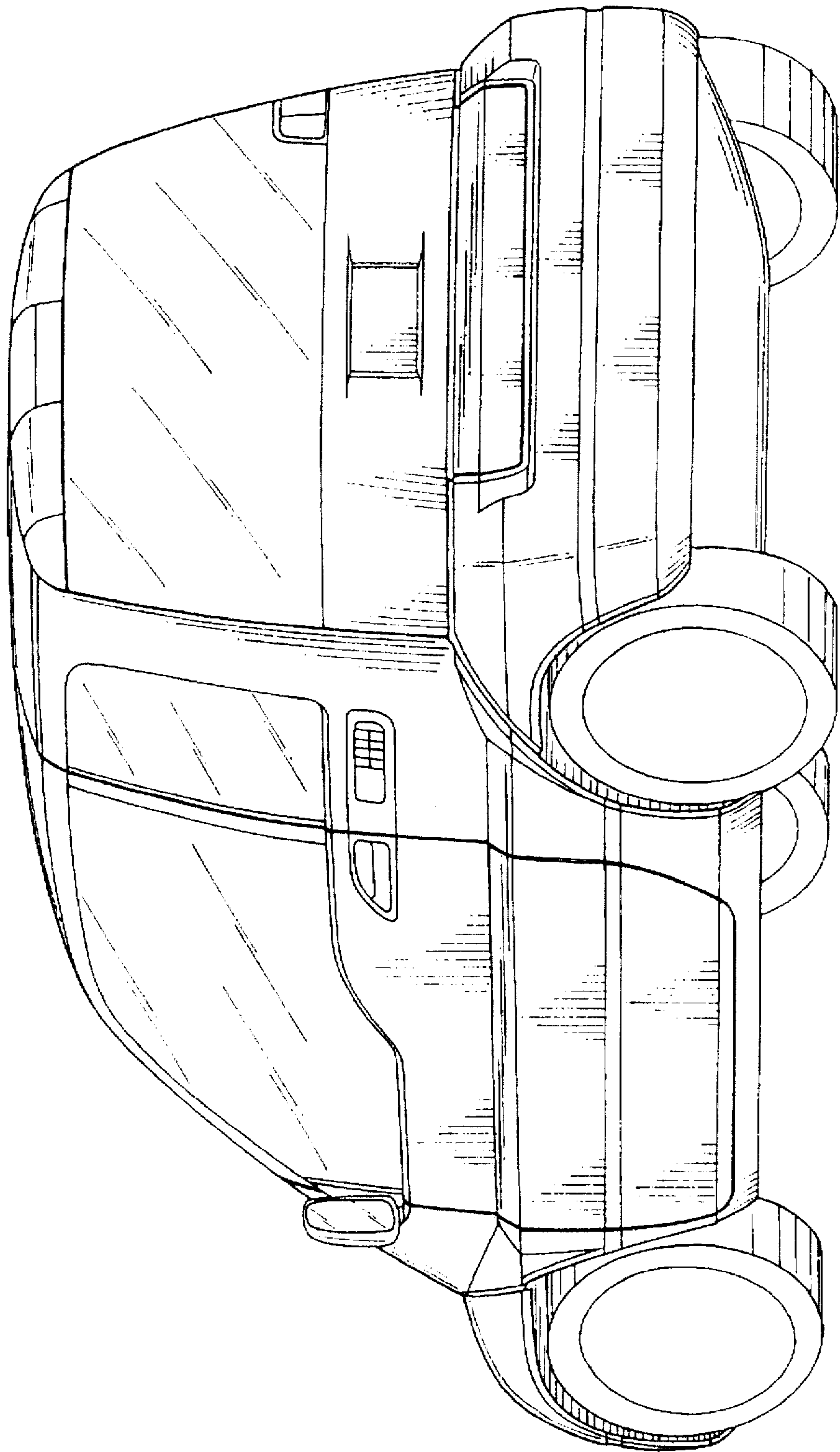


FIG. 4

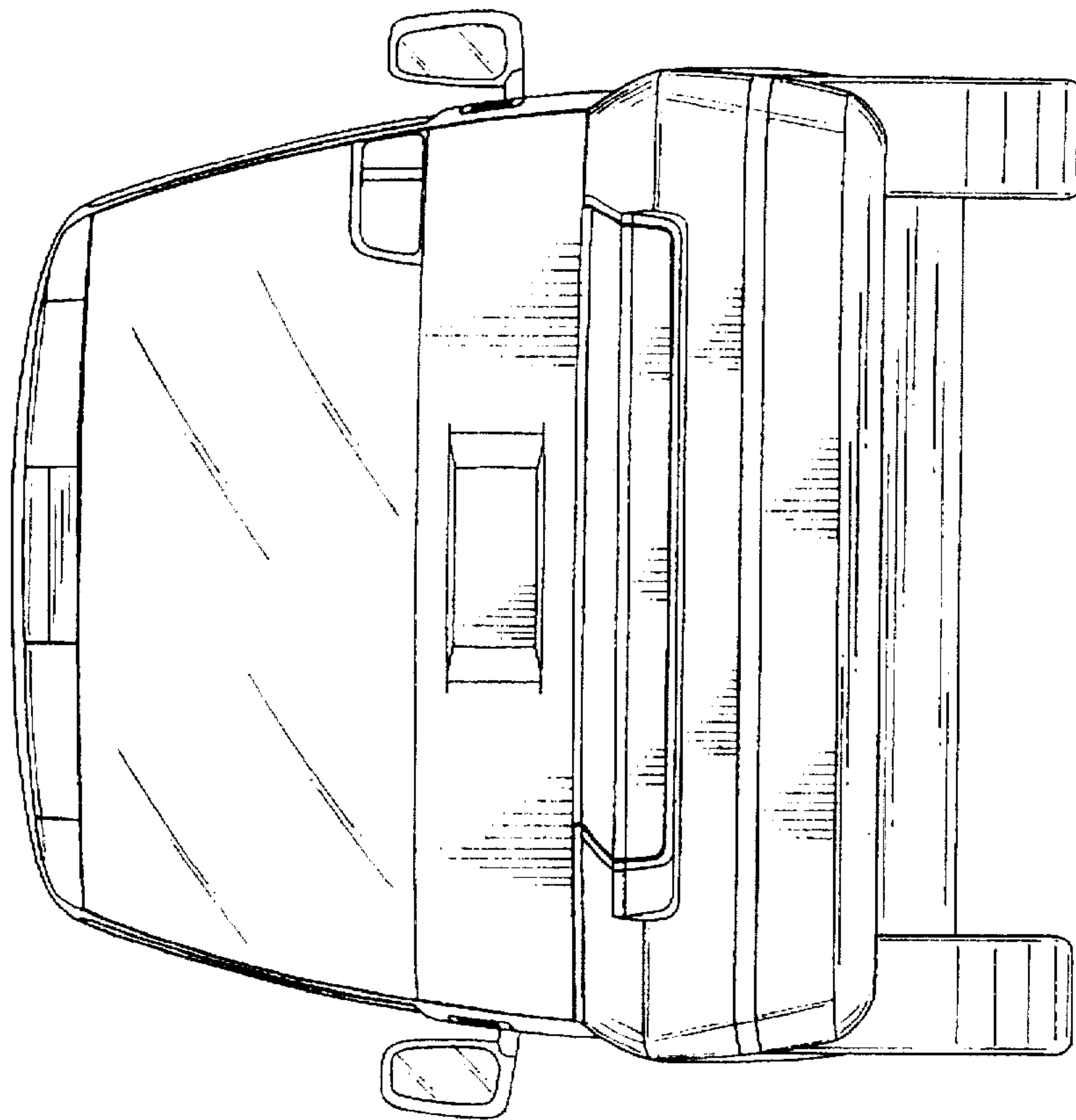


FIG. 3

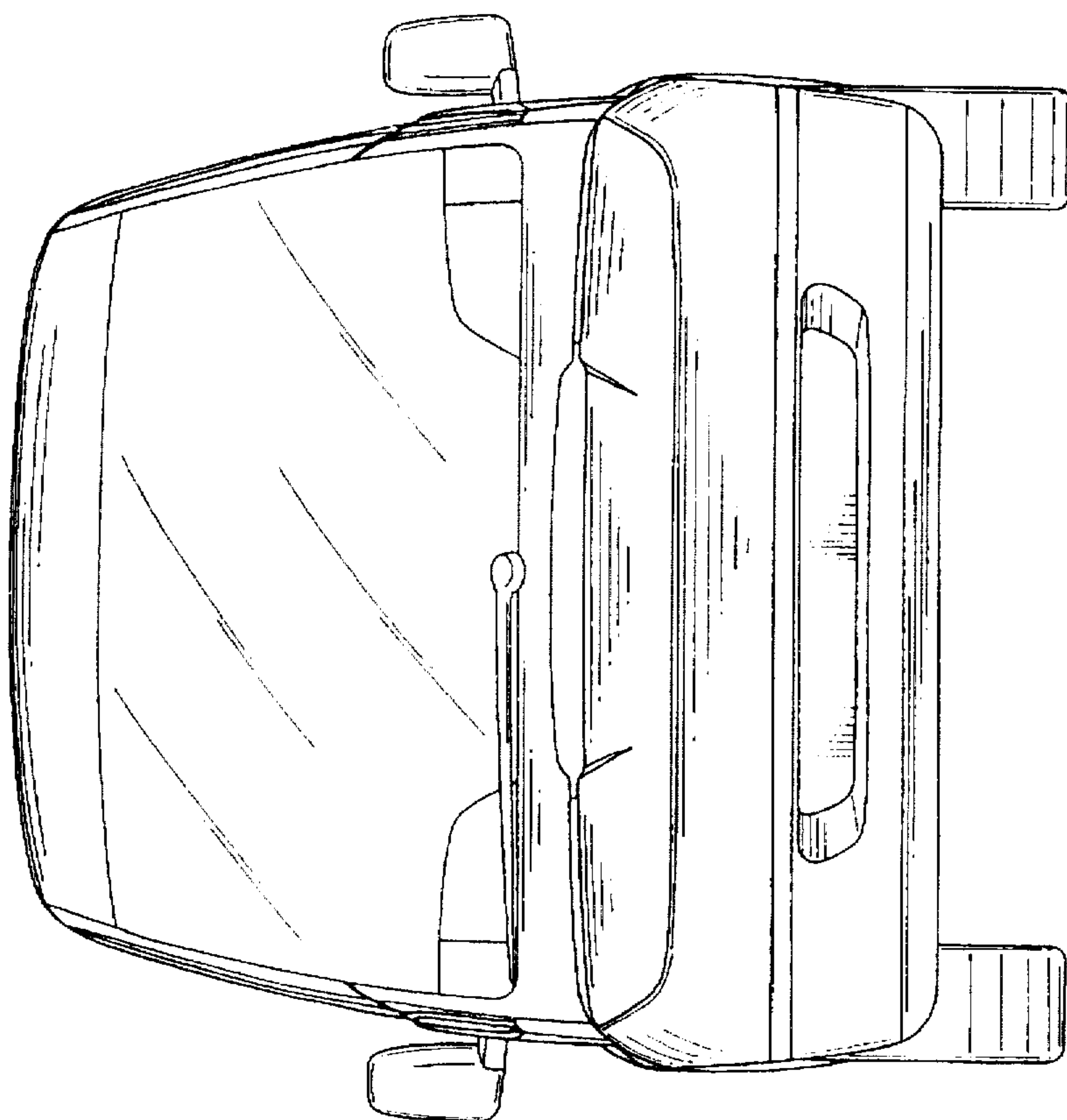


FIG. 5

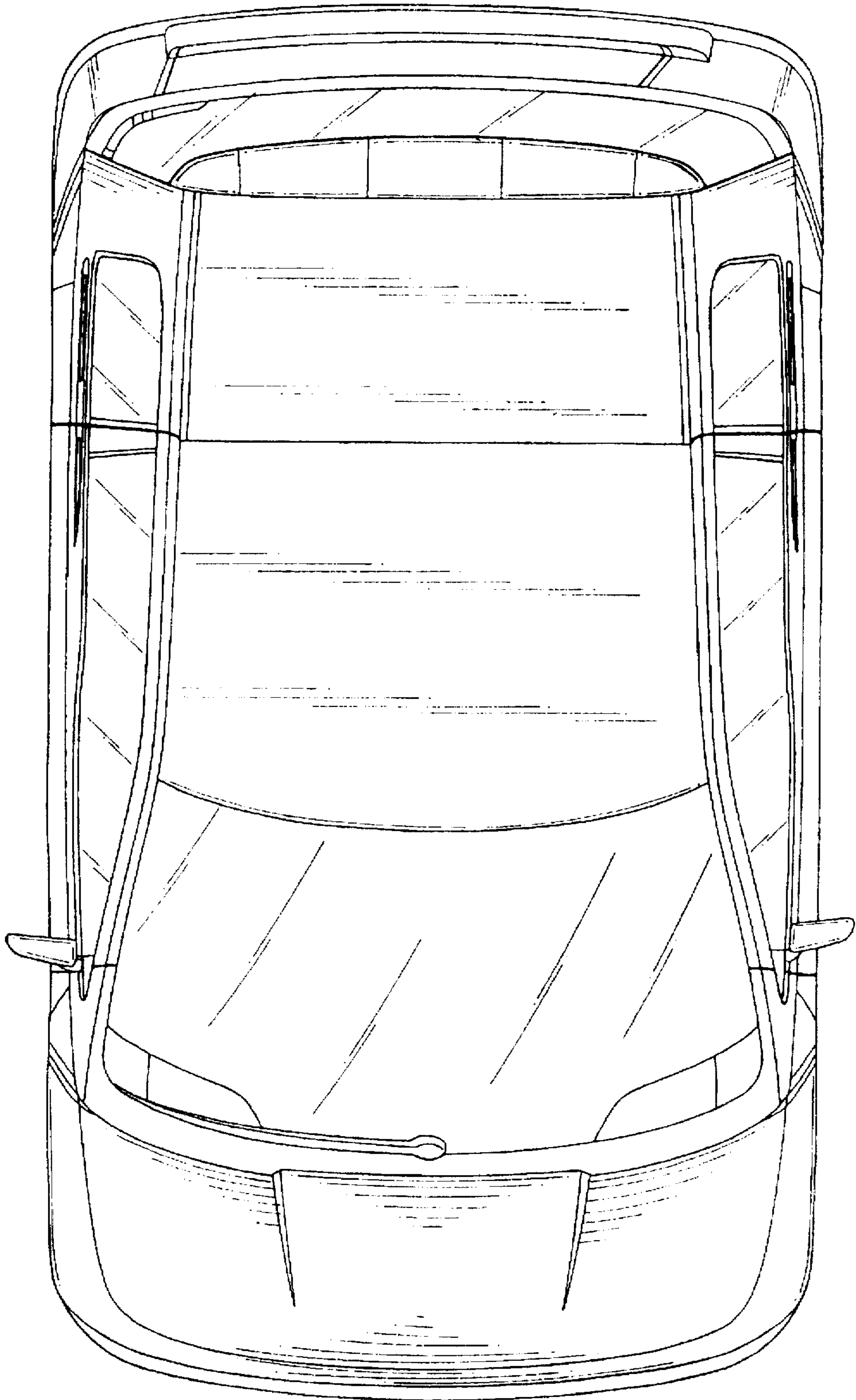


FIG. 6

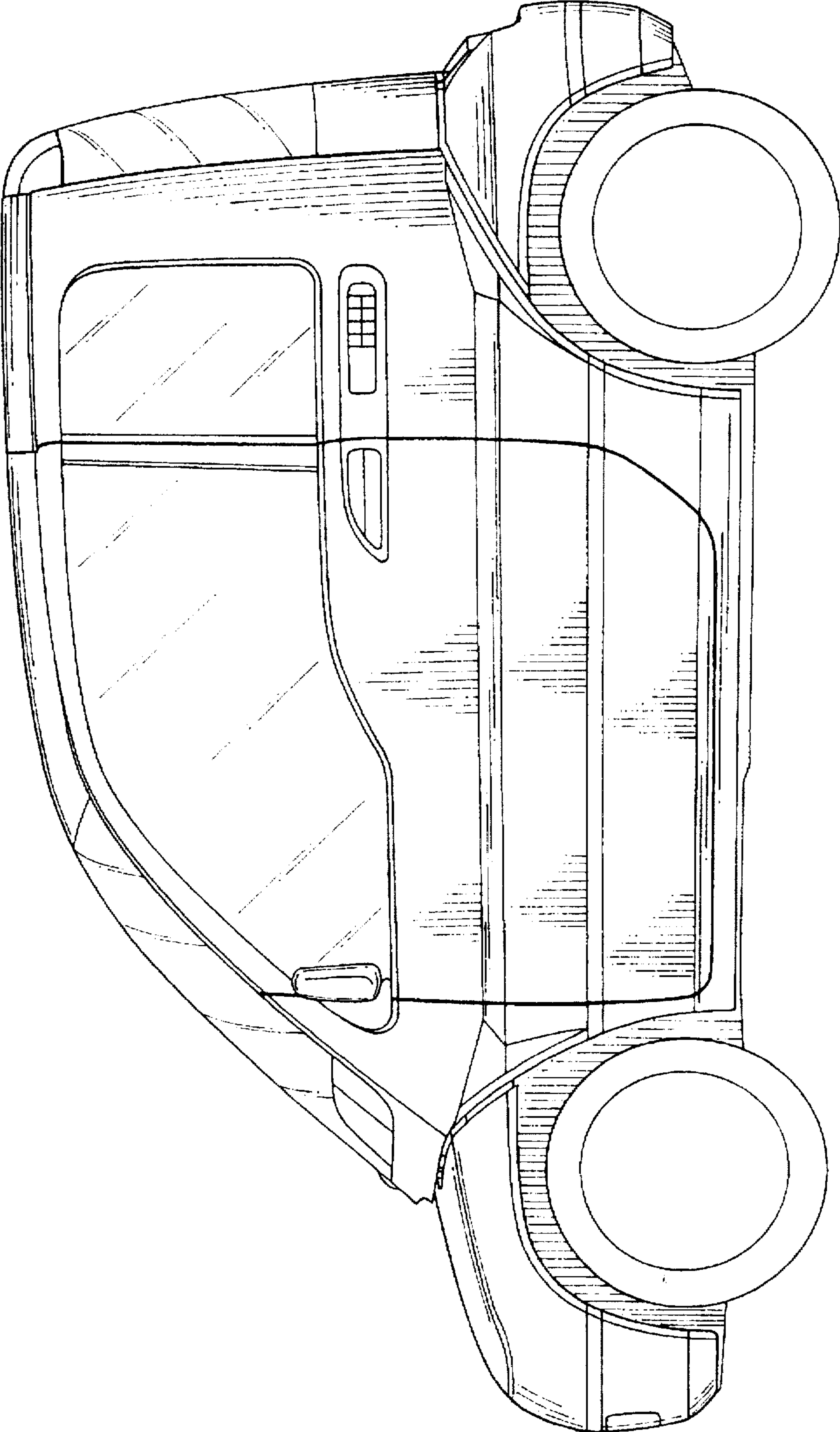


FIG. 7

