

US00D391898S

United States Patent [19]

Yoshikawa et al.

[11] Patent Number: **Des. 391,898**

[45] Date of Patent: ****Mar. 10, 1998**

[54] **AUTOMOBILE**

[75] Inventors: **Fumiro Yoshikawa; Yasuharu Ishino,**
both of Wako, Japan

[73] Assignee: **Honda Giken Kogyo Kabushiki**
Kaisha, Tokyo, Japan

[**] Term: **14 Years**

[21] Appl. No.: **58,193**

[22] Filed: **Aug. 9, 1996**

[30] Foreign Application Priority Data

Feb. 13, 1996 [JP] Japan 8-3452

[51] LOC (6) Cl. **12-08**

[52] U.S. Cl. **D12/91**

[58] Field of Search D12/86, 90-92;
296/185

[56] References Cited

U.S. PATENT DOCUMENTS

D. 251,587 4/1979 Marson D12/90

D. 298,521	11/1988	Ui et al.	D12/91
D. 346,990	5/1994	Abbott et al.	D12/91
D. 352,481	11/1994	Cannara et al.	D12/90
D. 357,648	4/1995	Osawa et al.	D12/91
D. 371,526	7/1996	Verduyn et al.	D12/86
D. 371,648	7/1996	Osawa et al.	D12/91

Primary Examiner—Melody N. Brown
Attorney, Agent, or Firm—Nikaido, Marmelstein, Murray &
Oram LLP

[57] CLAIM

The ornamental design for an automobile, as shown and described.

DESCRIPTION

FIG. 1 is a left-front perspective view of an automobile showing our new design;
FIG. 2 is a left-rear perspective view thereof;
FIG. 3 is a front view thereof;
FIG. 4 is a rear view thereof;
FIG. 5 is a left side view thereof;
FIG. 6 is a right side view thereof; and,
FIG. 7 is a top plan view thereof.

1 Claim, 6 Drawing Sheets

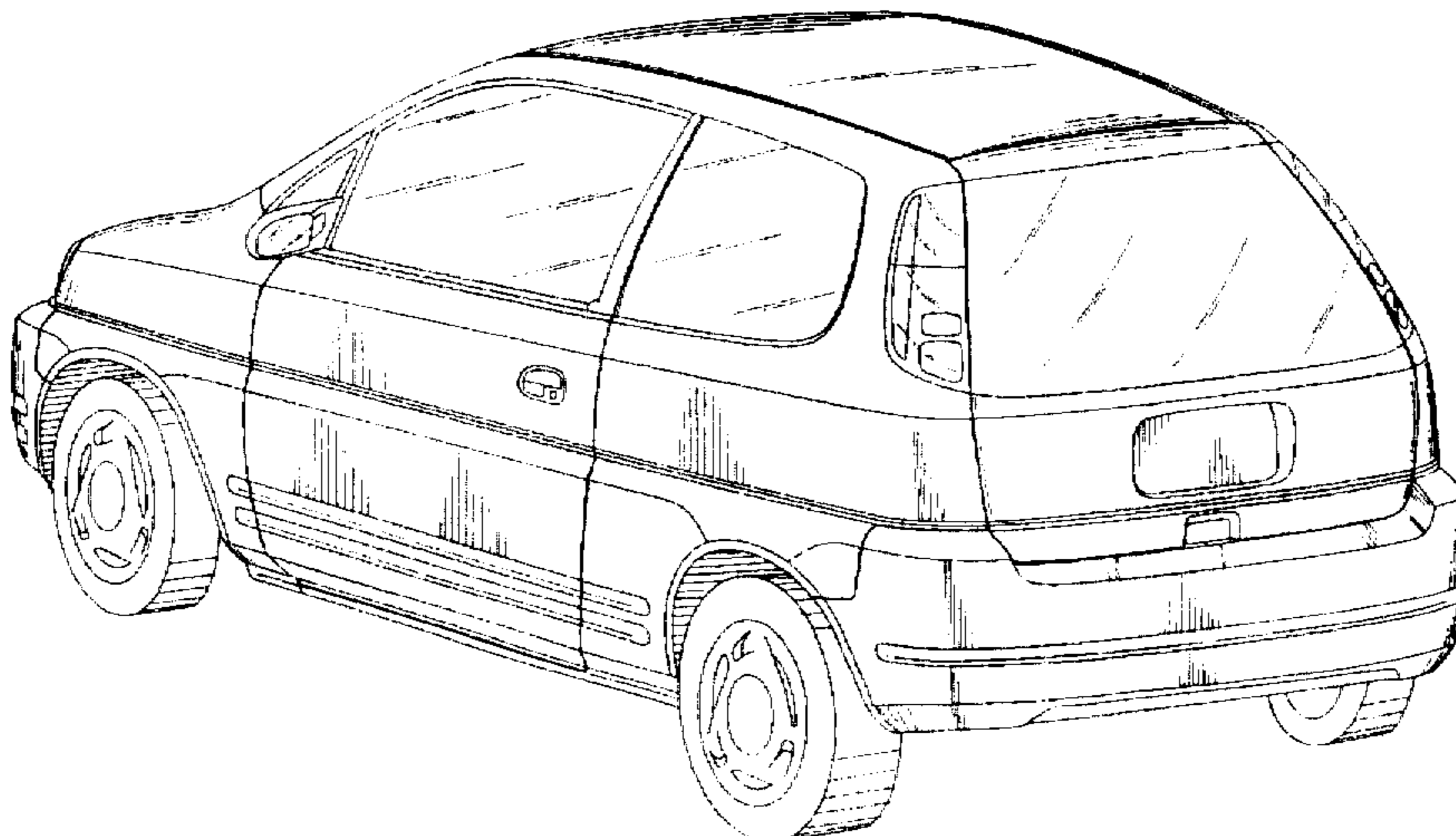
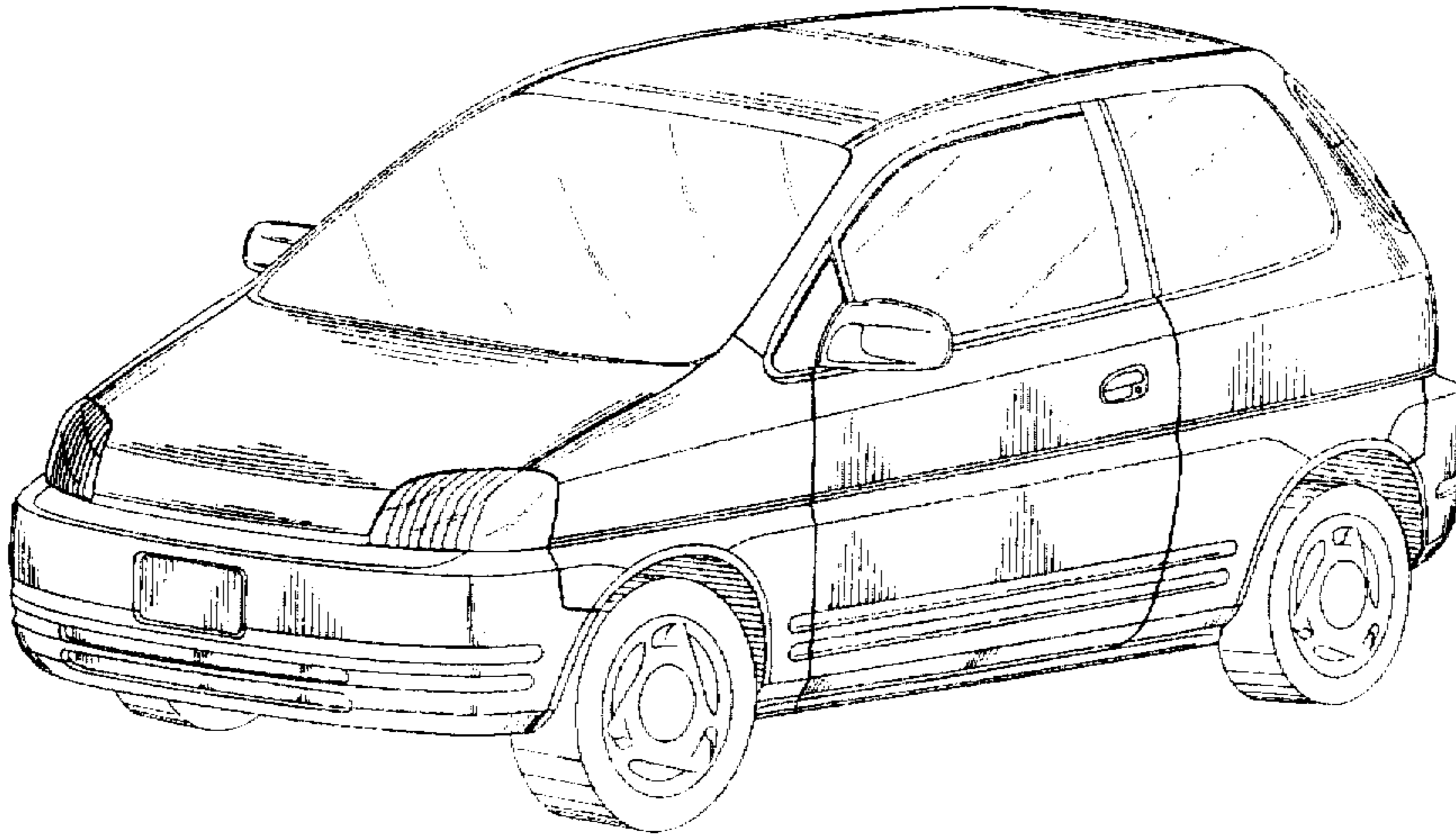


Fig. 1

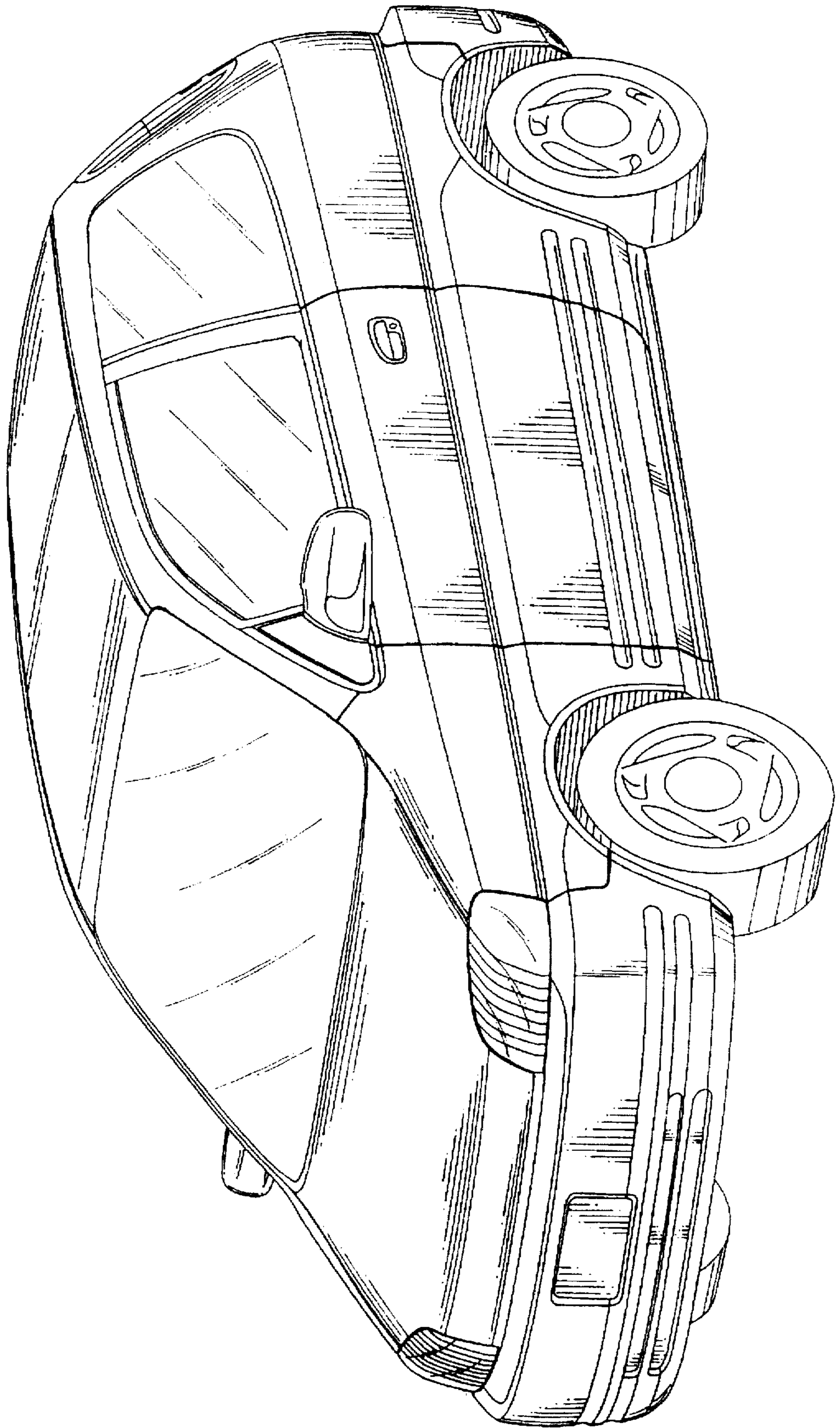


Fig. 2

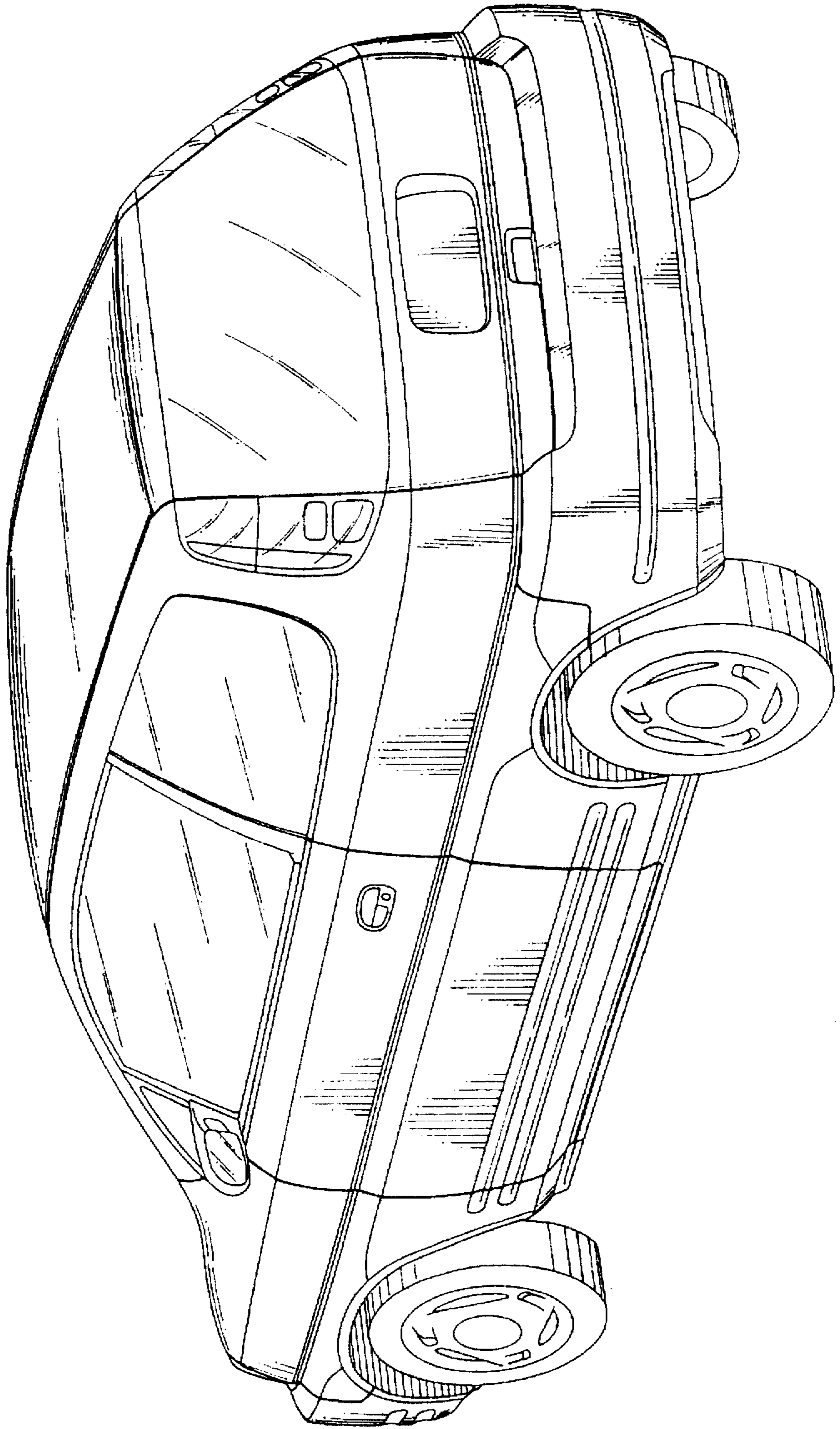


Fig. 4

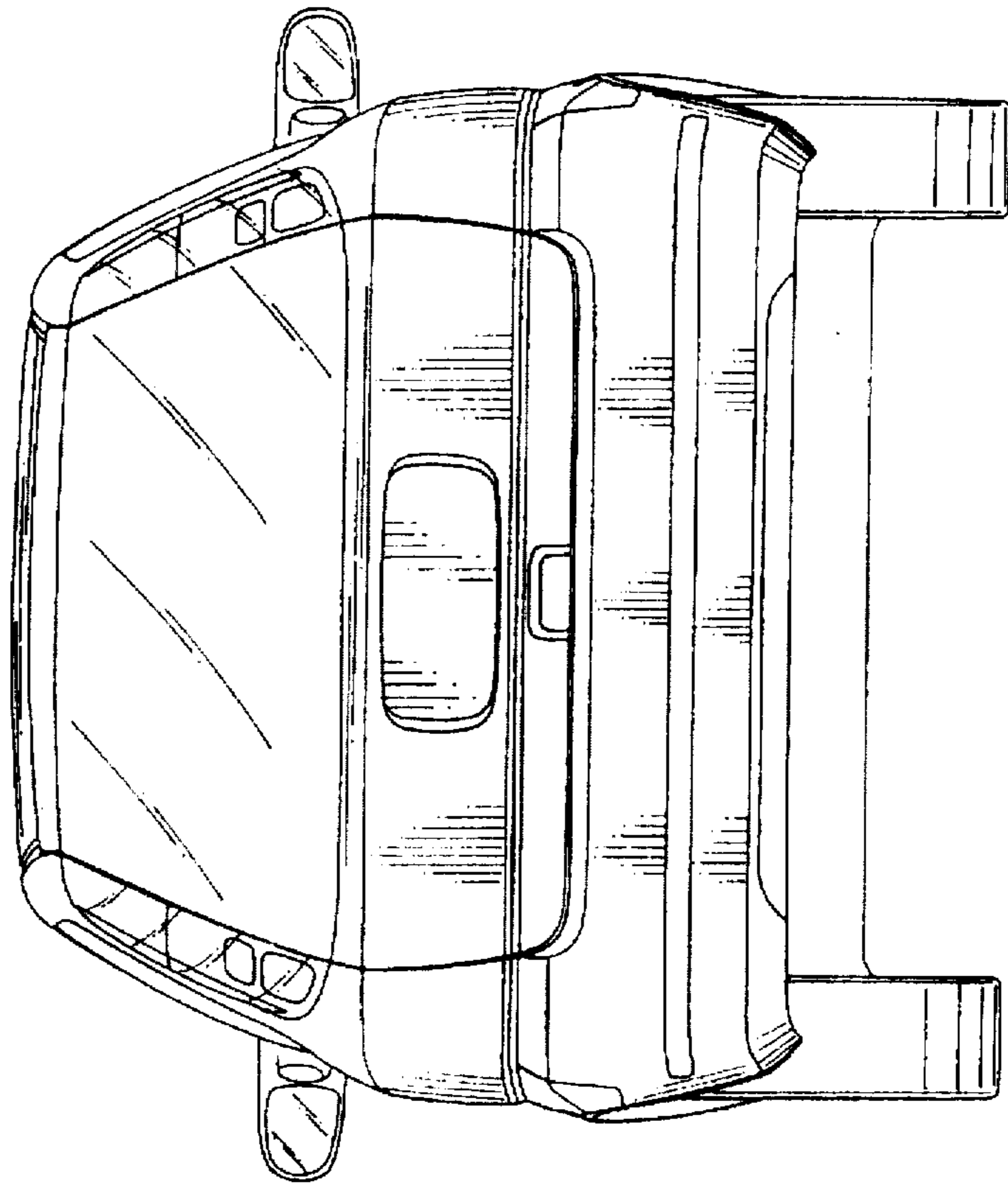


Fig. 3

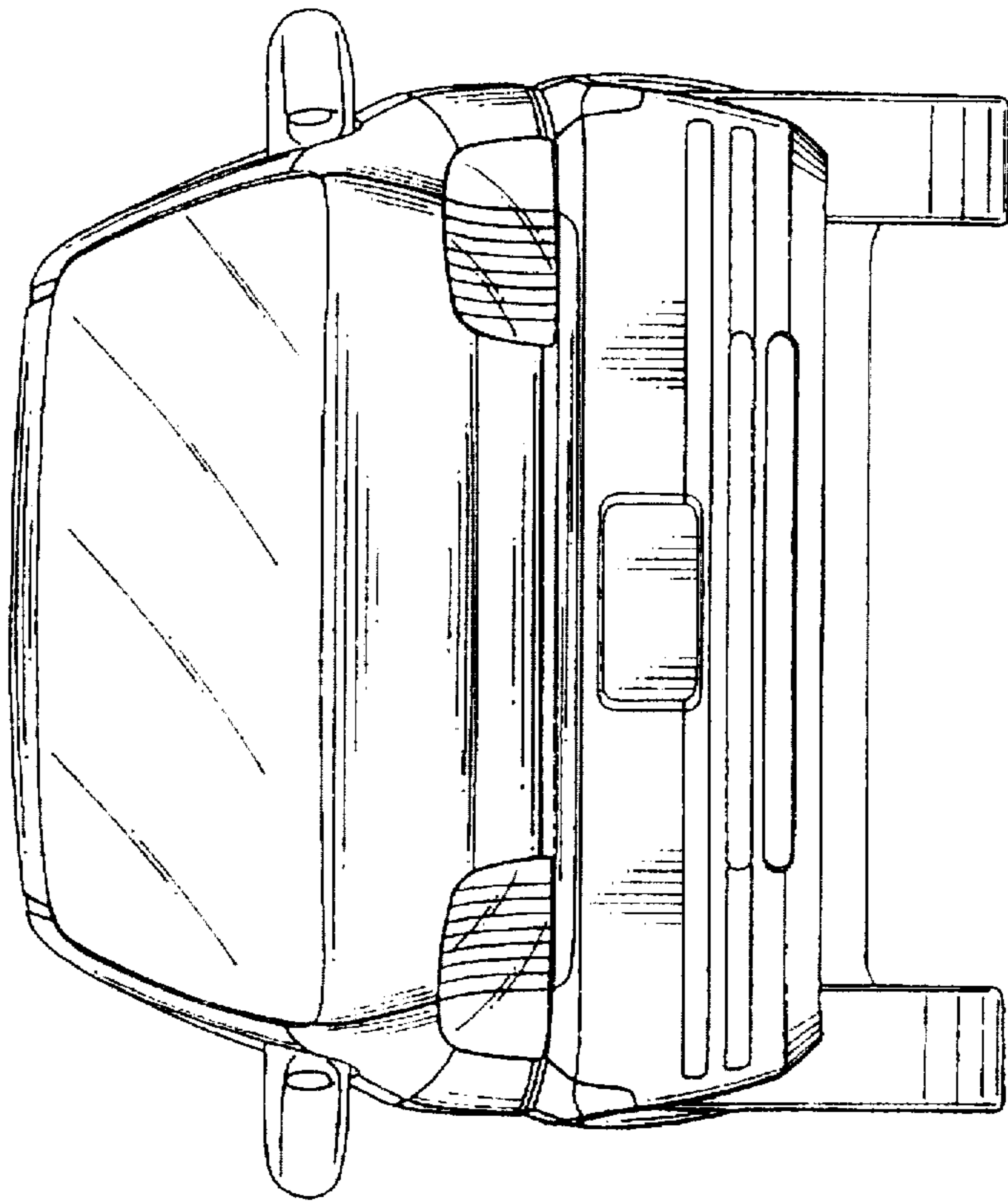


Fig.5

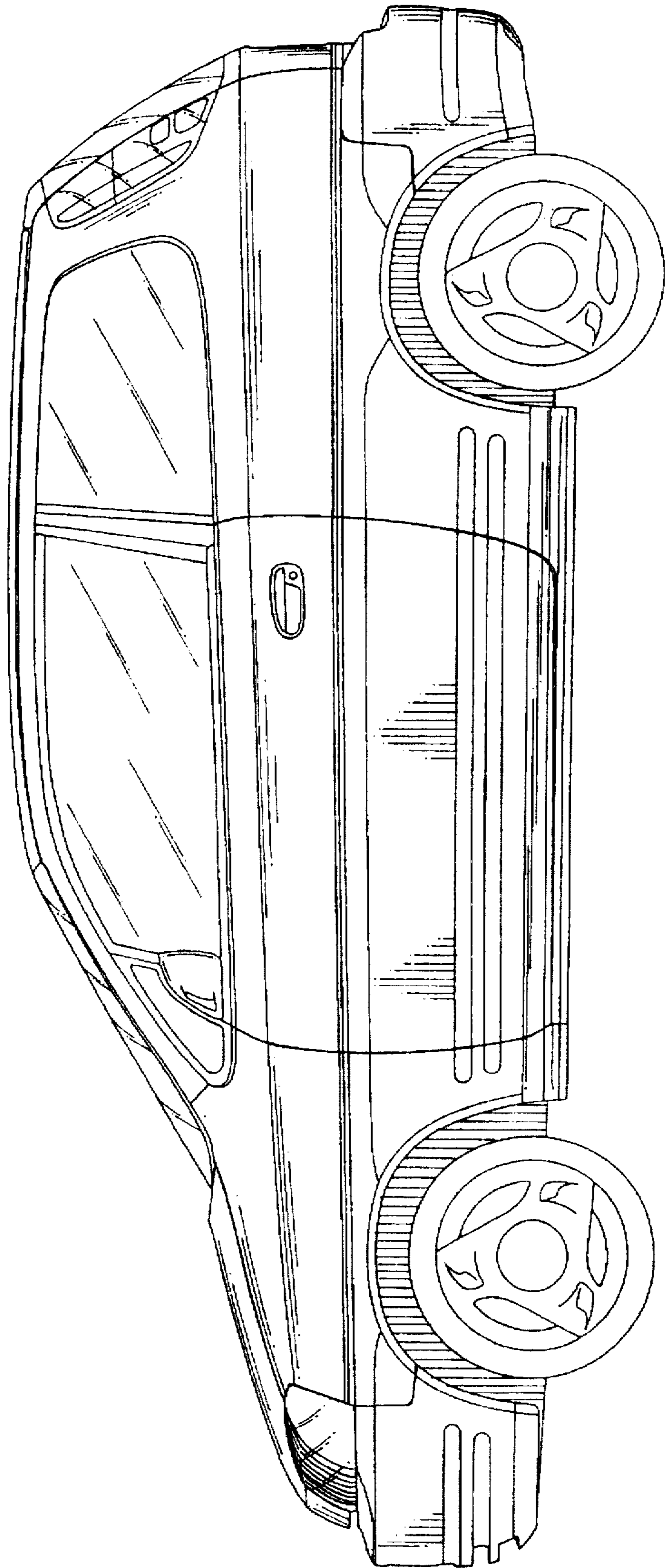


Fig. 6

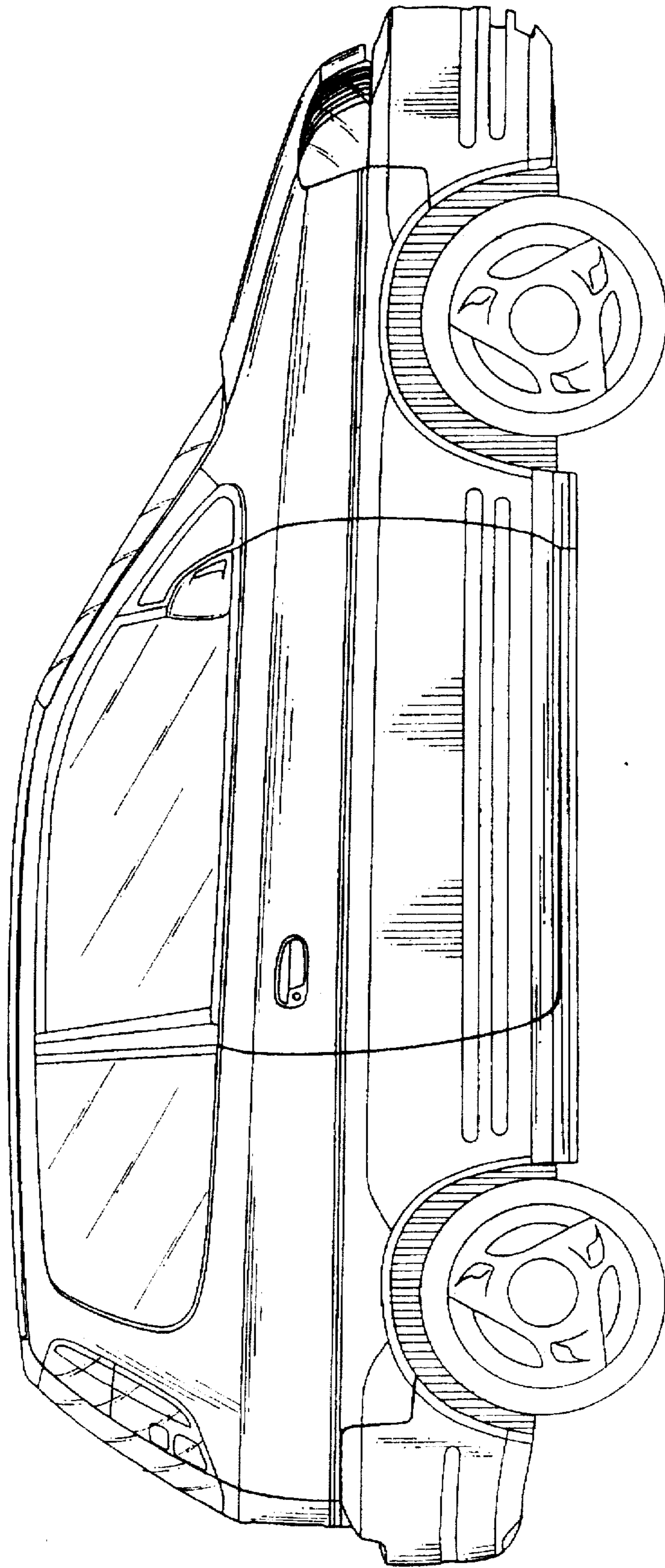


Fig. 7

