



US00D391897S

# United States Patent [19]

Murata

[11] Patent Number: **Des. 391,897**

[45] Date of Patent: **\*\*Mar. 10, 1998**

[54] **FOUR WHEELED VEHICLE**

[75] Inventor: **Yutaka Murata, Saitama, Japan**

[73] Assignee: **Honda Giken Kogyo Kabushiki Kaisha, Tokyo, Japan**

[\*\*] Term: **14 Years**

[21] Appl. No.: **61,229**

[22] Filed: **Oct. 18, 1996**

[30] **Foreign Application Priority Data**

Apr. 22, 1996 [JP] Japan ..... 8-11671

[51] **LOC (6) Cl.** ..... **12-08**

[52] **U.S. Cl.** ..... **D12/86**

[58] **Field of Search** ..... D12/86, 85, 107,  
D12/90-92, 1, 16; 296/185

[56] **References Cited**

### U.S. PATENT DOCUMENTS

- D. 342,701 12/1993 Murata et al. .... D12/107
- D. 350,303 9/1994 Hinura et al. .... D12/85
- D. 350,504 9/1994 Yang ..... D12/90
- D. 350,505 9/1994 Yang ..... D12/91

- D. 371,526 7/1996 Verduyn et al. .... D12/86
- D. 372,686 8/1996 Haltori et al. .... D12/91

### FOREIGN PATENT DOCUMENTS

914589 12/1994 Japan .

*Primary Examiner*—Melody N. Brown  
*Attorney, Agent, or Firm*—Birch, Stewart, Kolasch & Birch, LLP

### [57] CLAIM

The ornamental design for a four wheeled vehicle, as shown and described.

### DESCRIPTION

FIG. 1 is a front elevational view of a four wheeled vehicle showing my new design;  
 FIG. 2 is a right side elevational view thereof;  
 FIG. 3 is a left side elevational view thereof;  
 FIG. 4 is a top plan view thereof;  
 FIG. 5 is a rear elevational view thereof;  
 FIG. 6 is a front perspective view thereof;  
 FIG. 7 is a rear perspective view thereof; and,  
 FIG. 8 is a rear perspective view with a closure gate being disposed in an open position.

**1 Claim, 8 Drawing Sheets**

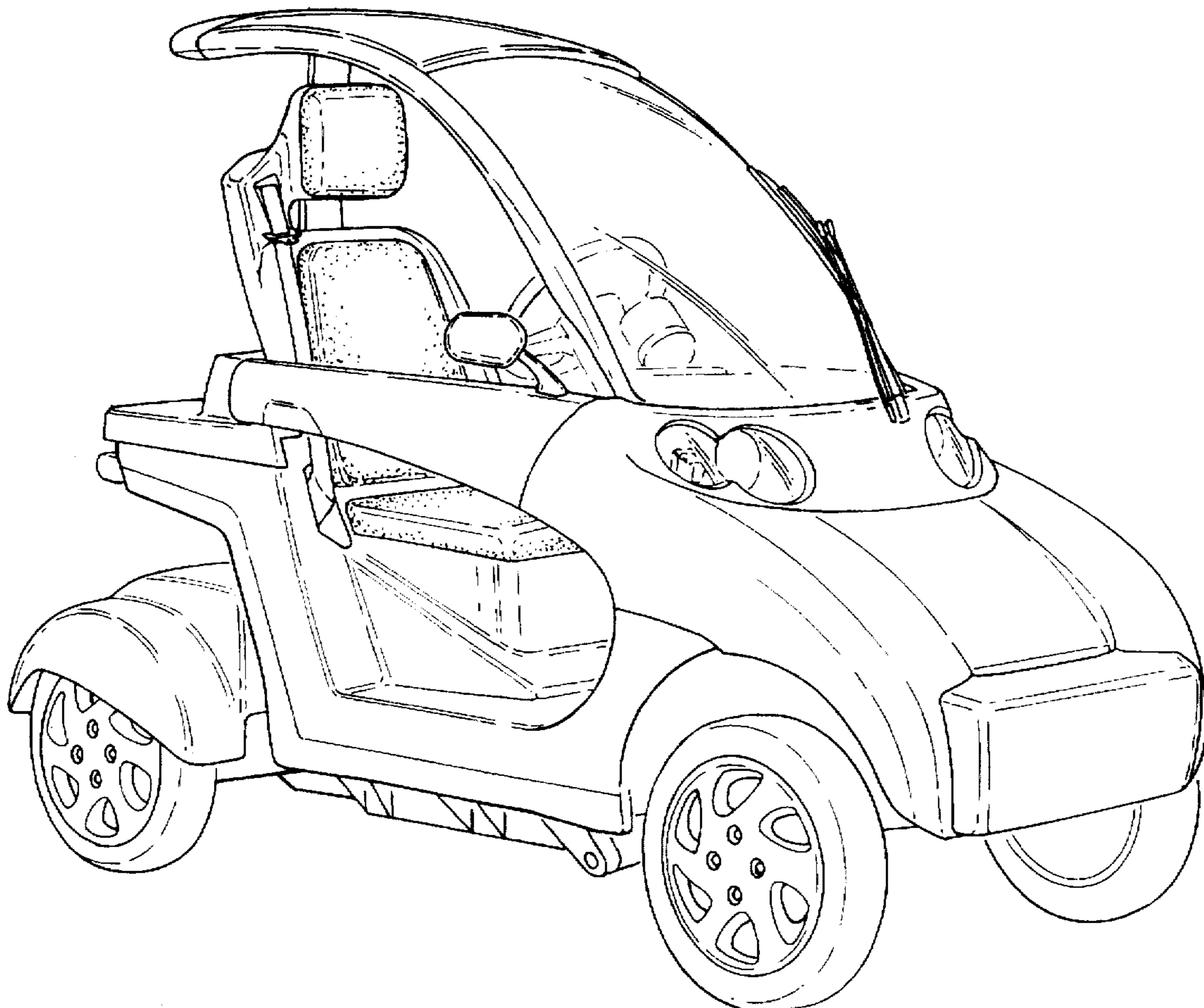


FIG. 1

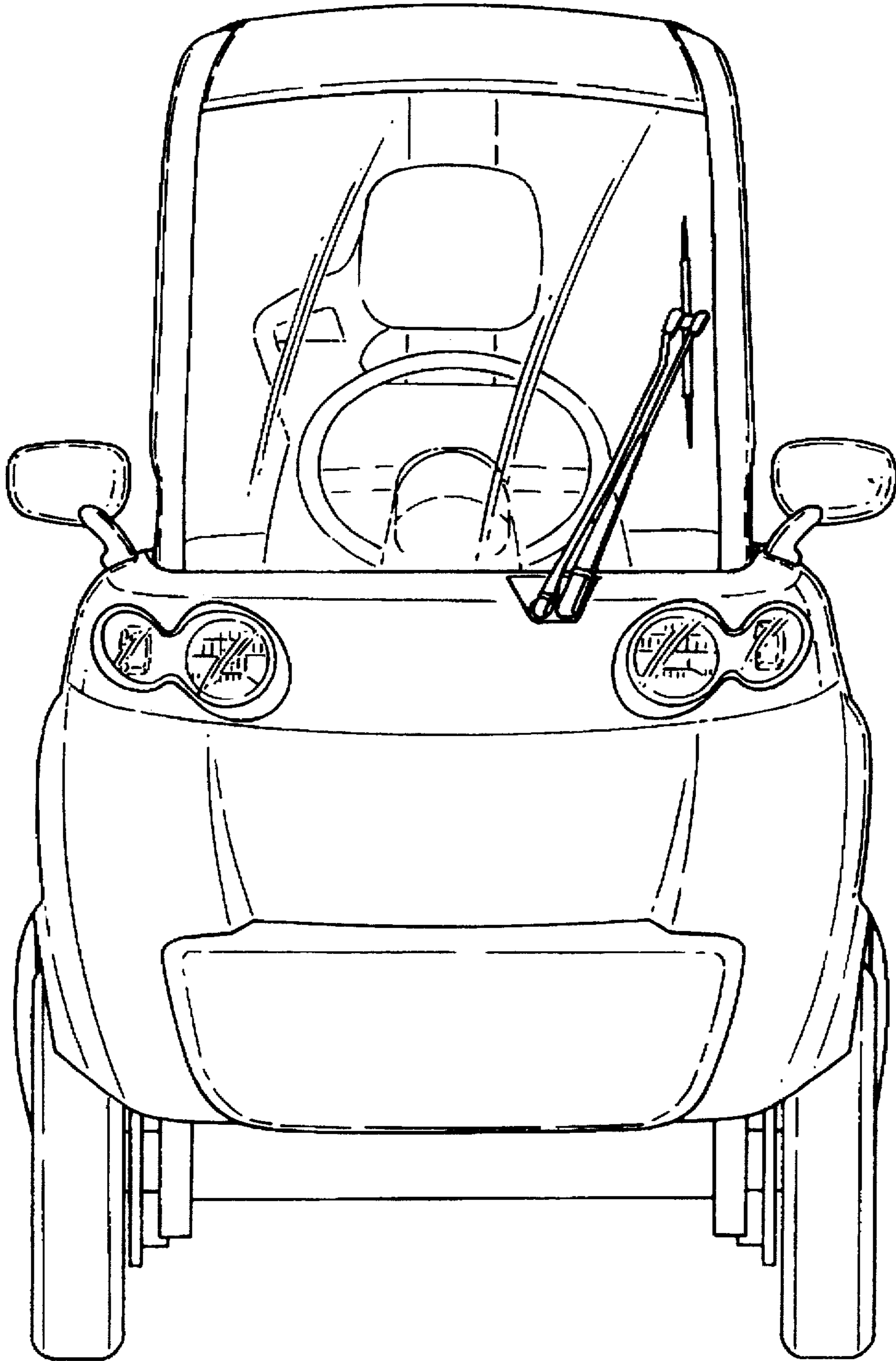
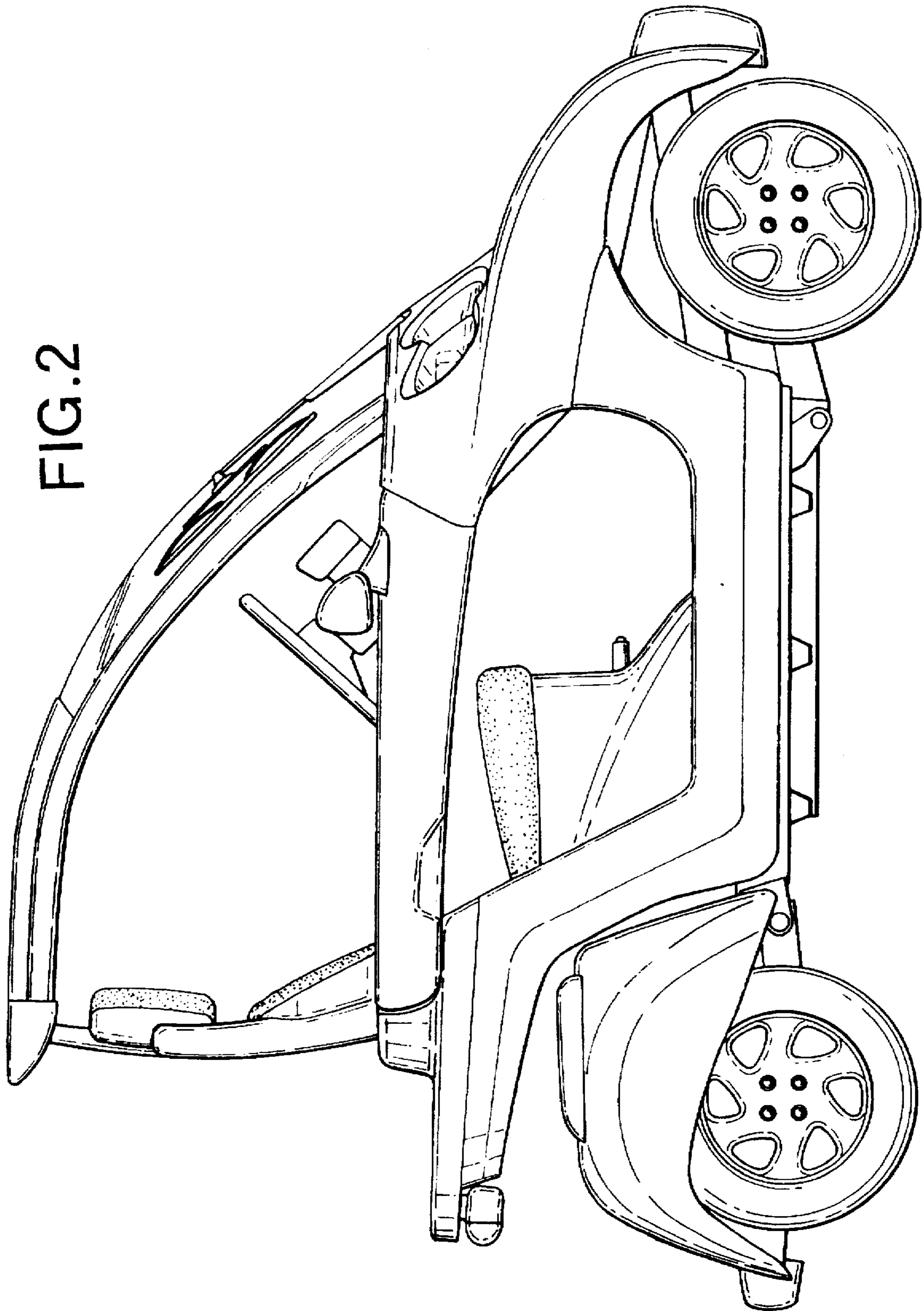


FIG. 2



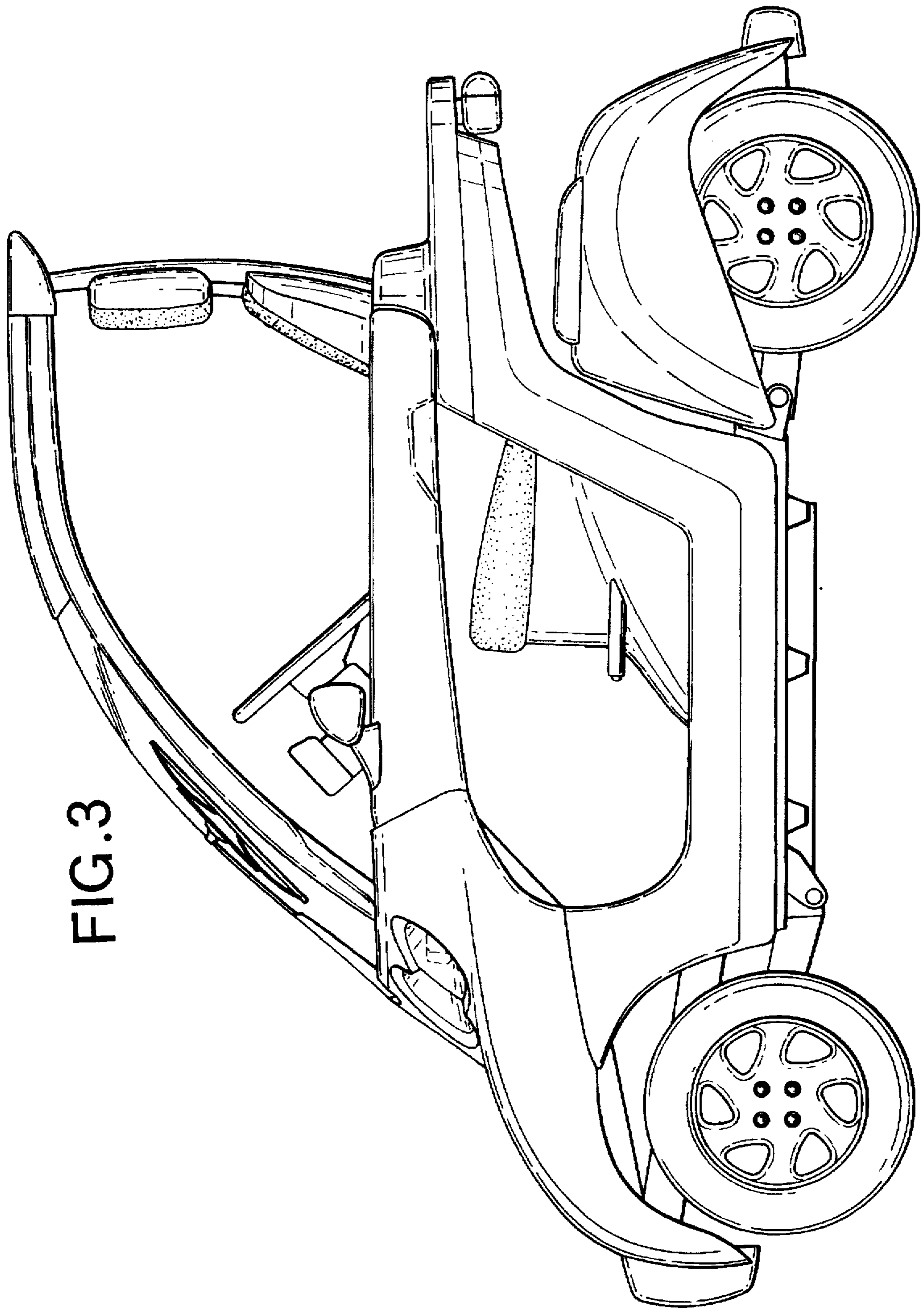


FIG. 3

FIG. 4

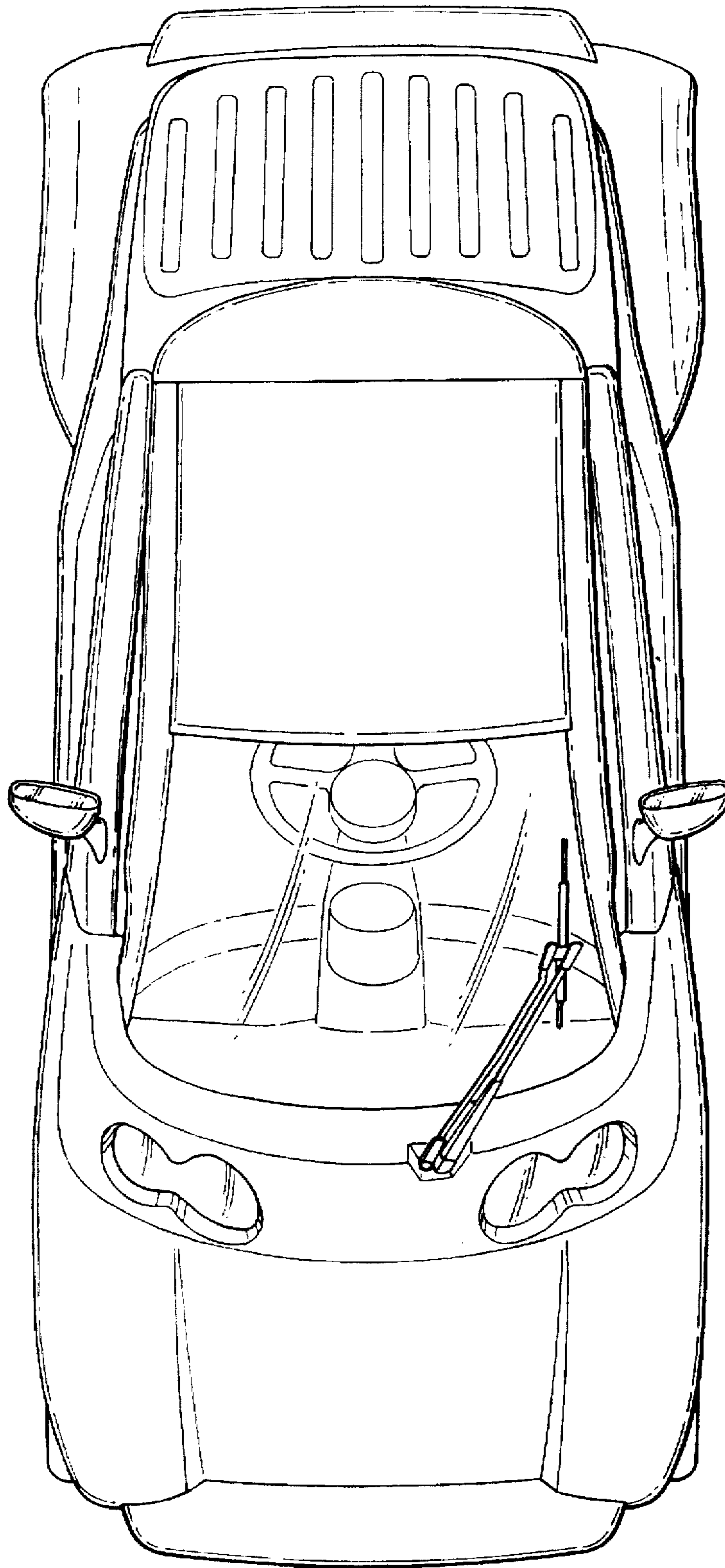


FIG. 5

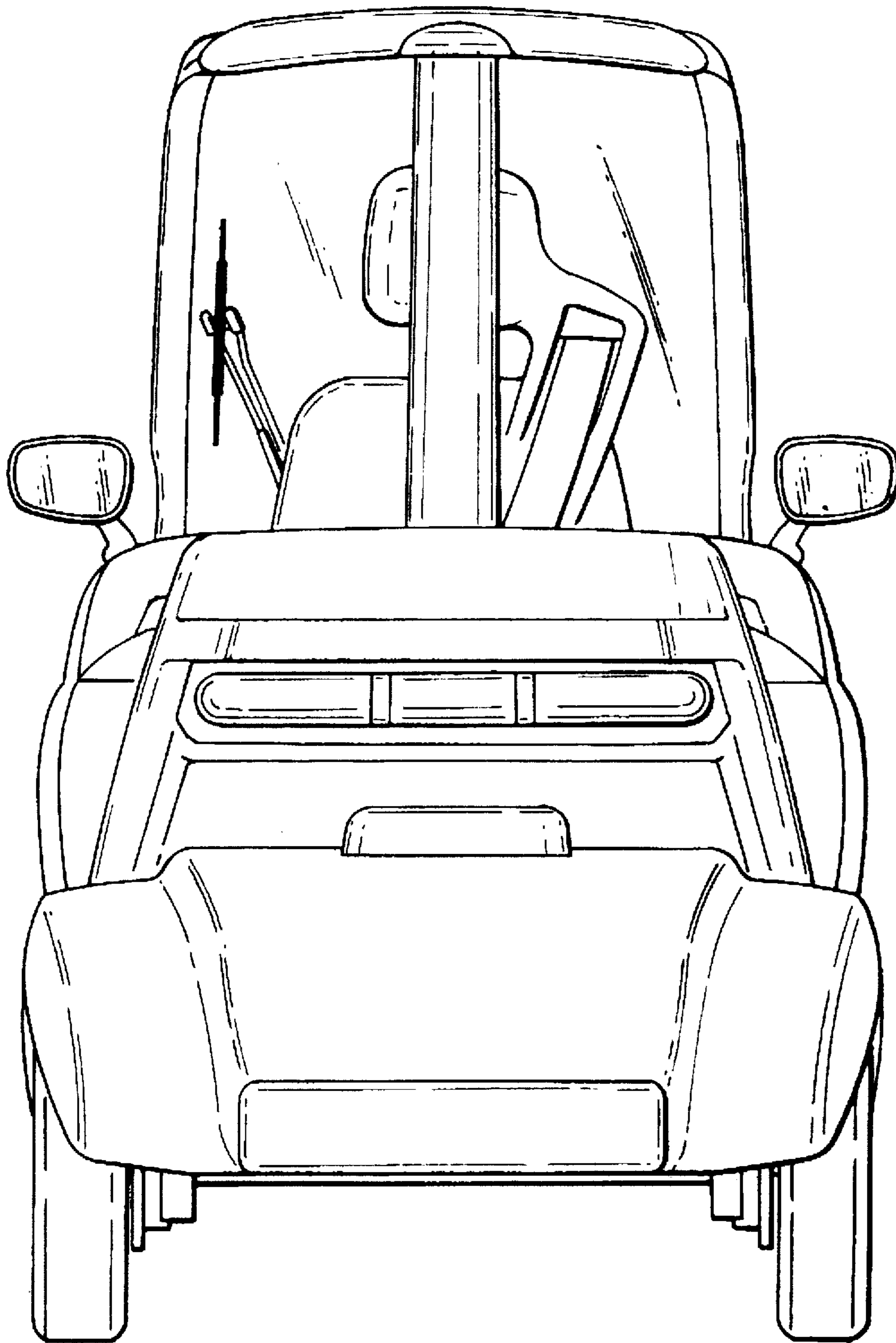


FIG. 6

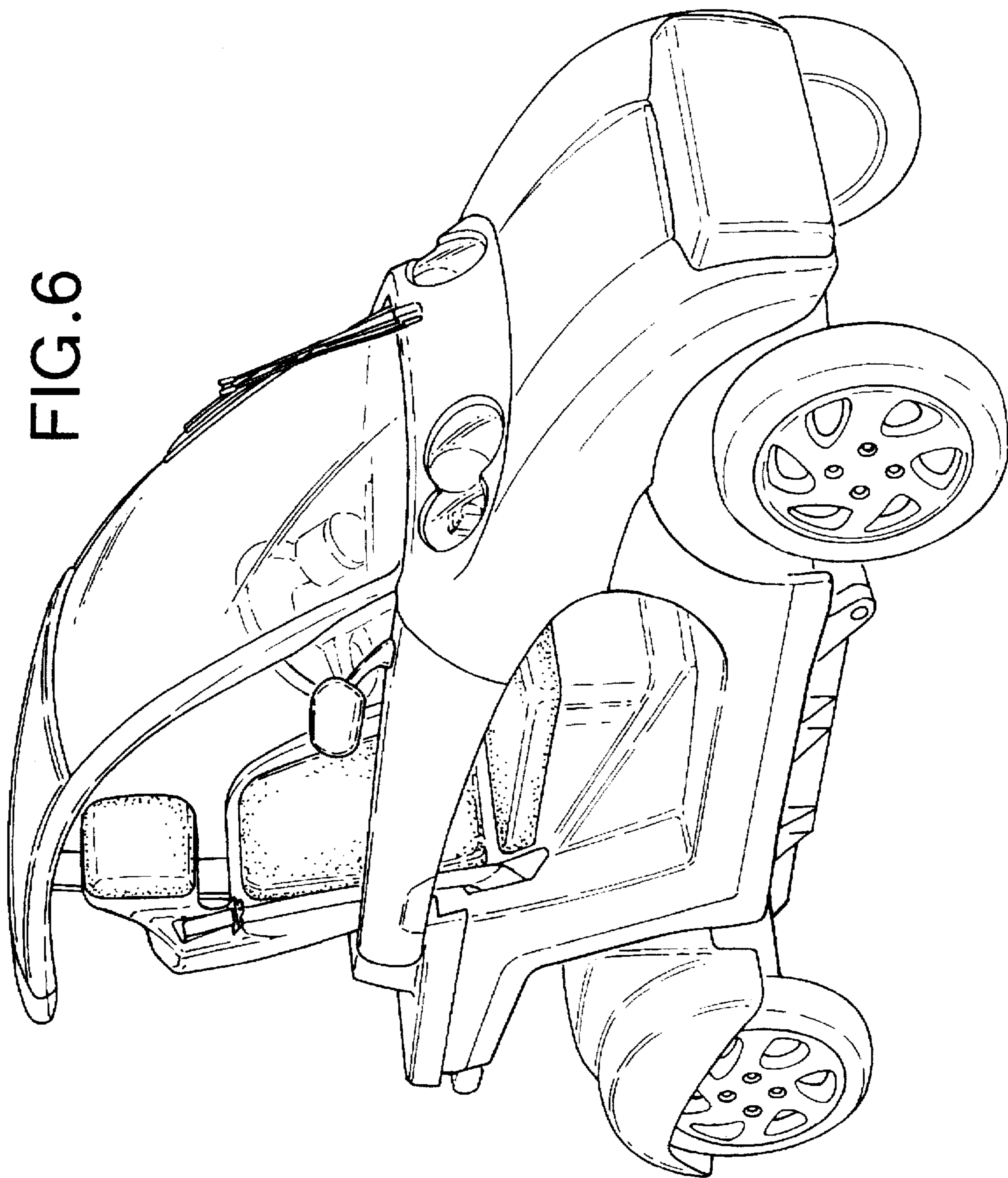


FIG. 7

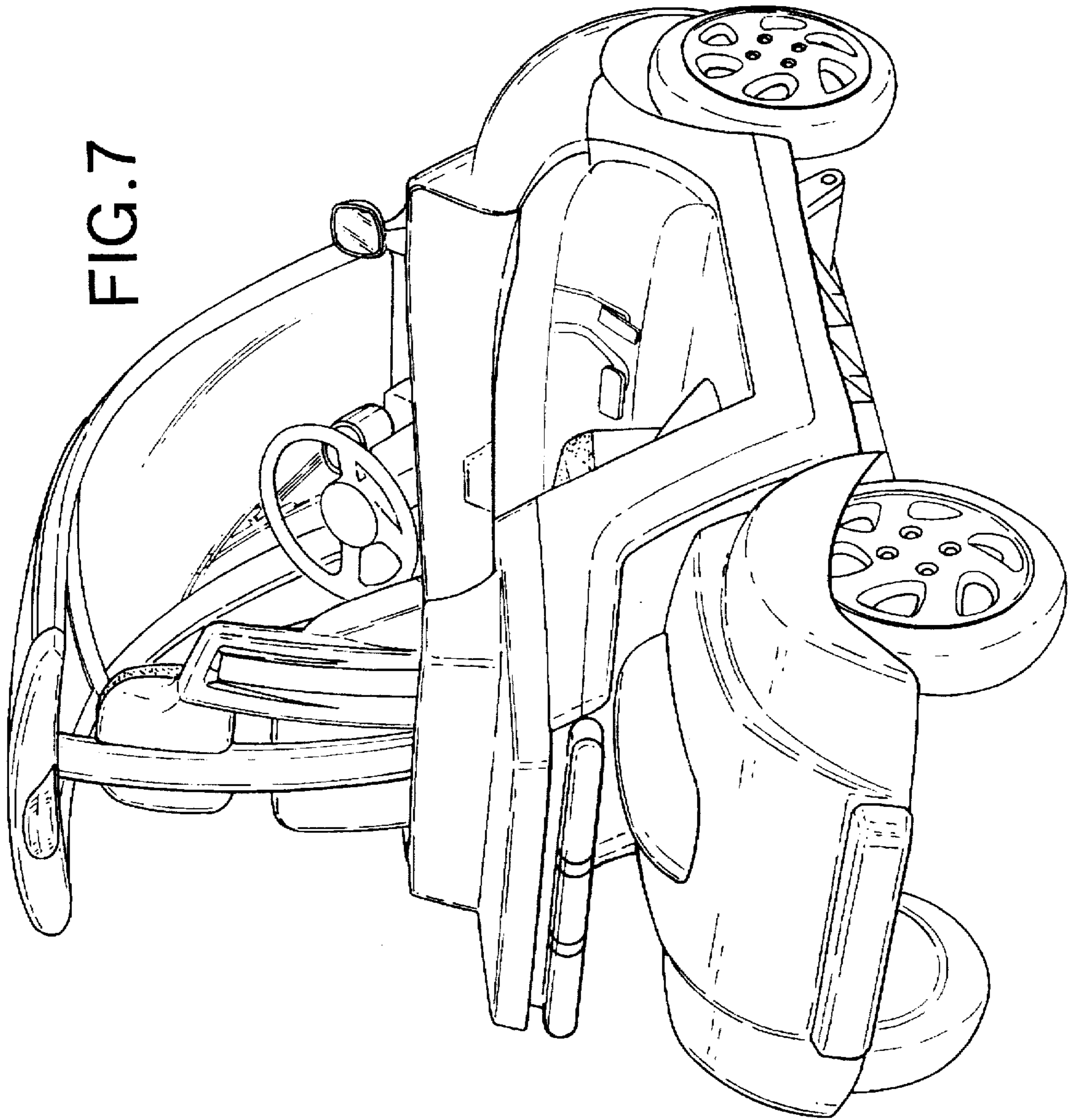




FIG. 8

