



US00D391895S

United States Patent [19]
Anscher

[11] **Patent Number: Des. 391,895**
[45] **Date of Patent: **Mar. 10, 1998**

[54] **SUSPENDER BUCKLE**

[75] **Inventor: Joseph Anscher, Muttontown, N.Y.**

[73] **Assignee: National Molding Corp., Farmingdale, N.Y.**

[**] **Term: 14 Years**

[21] **Appl. No.: 68,237**

[22] **Filed: Mar. 28, 1997**

[51] **LOC (6) Cl. 02-07**

[52] **U.S. Cl. D11/215**

[58] **Field of Search D11/200, 215-218, D11/220; 24/327, 328, 346, 170**

[56] **References Cited**

U.S. PATENT DOCUMENTS

- D. 114,441 4/1939 Deming D11/215
- D. 120,993 6/1940 La Vigne D11/215

- 362,189 5/1887 Stein D11/215
- D. 376,995 12/1996 Veach et al. D11/216
- 5,291,638 3/1994 Huang 24/170

Primary Examiner—Ralf Seifert
Attorney, Agent, or Firm—Kenyon & Kenyon

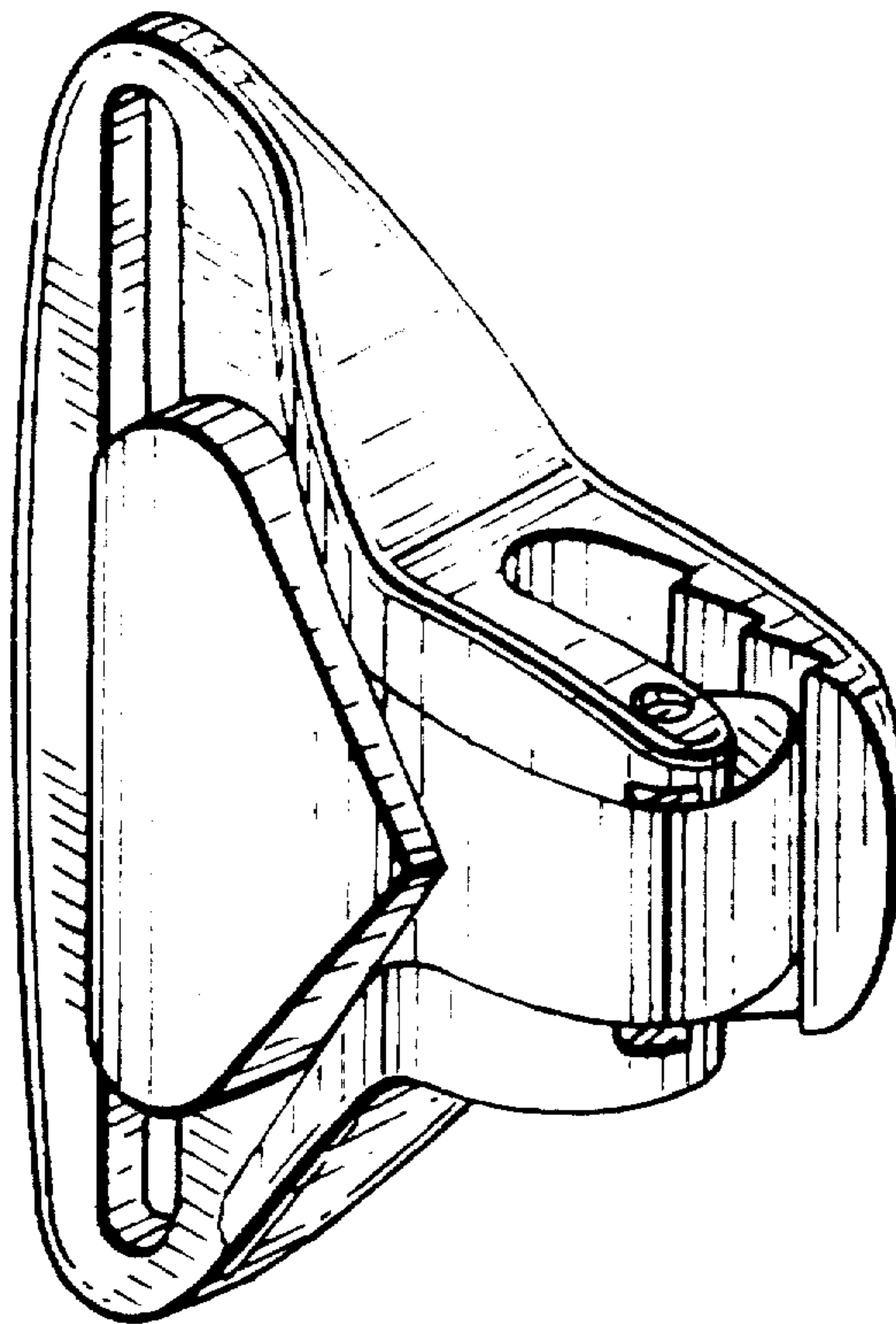
[57] **CLAIM**

The ornamental design for a suspender buckle, as shown and described.

DESCRIPTION

FIG. 1 is a front perspective view of a suspender buckle showing my new design;
FIG. 2 is a top plan view thereof;
FIG. 3 is a front-side view thereof;
FIG. 4 is a lateral-side view thereof;
FIG. 5 is a bottom plan view thereof;
FIG. 6 is a rear-side view thereof; and,
FIG. 7 is a second perspective view thereof.

1 Claim, 2 Drawing Sheets



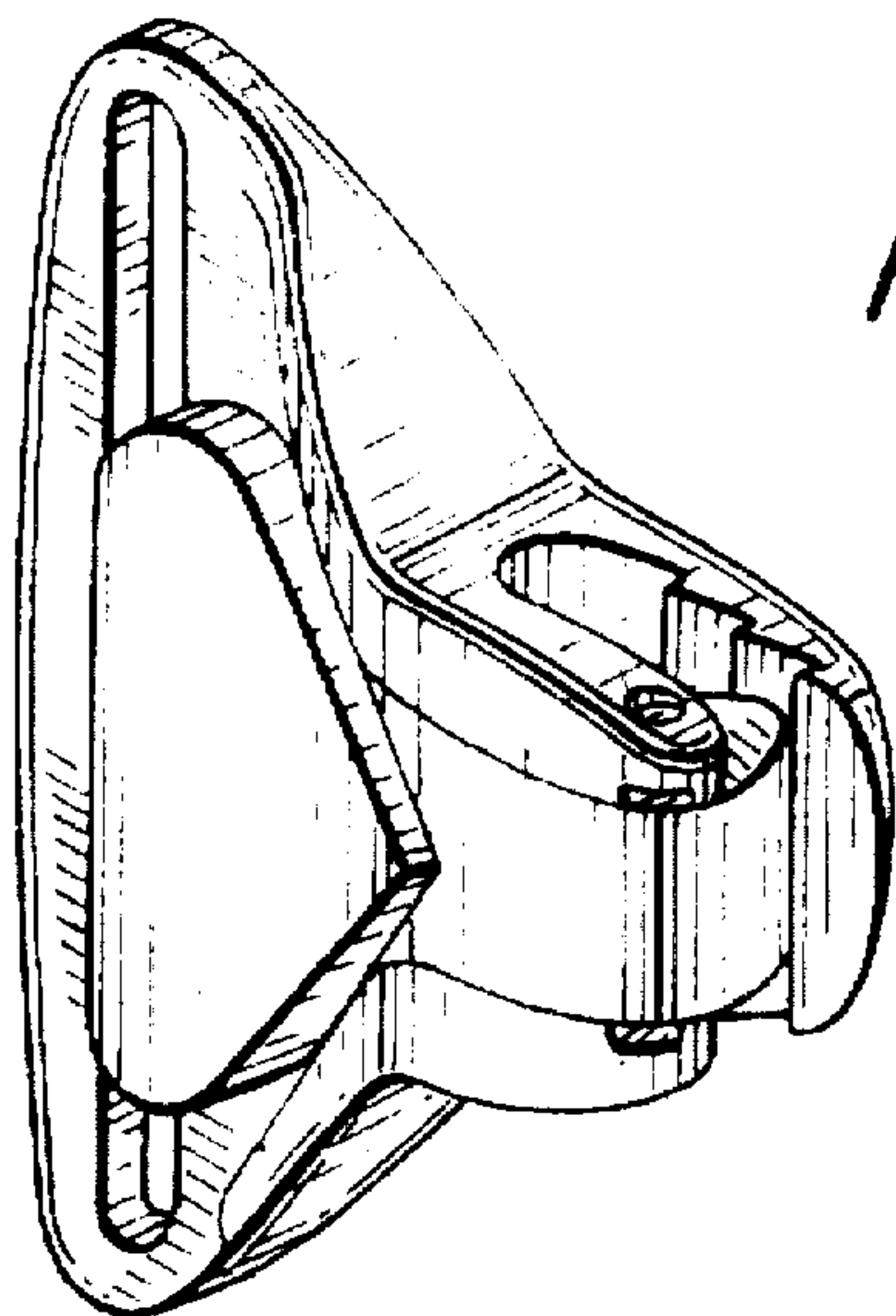


FIG. 1

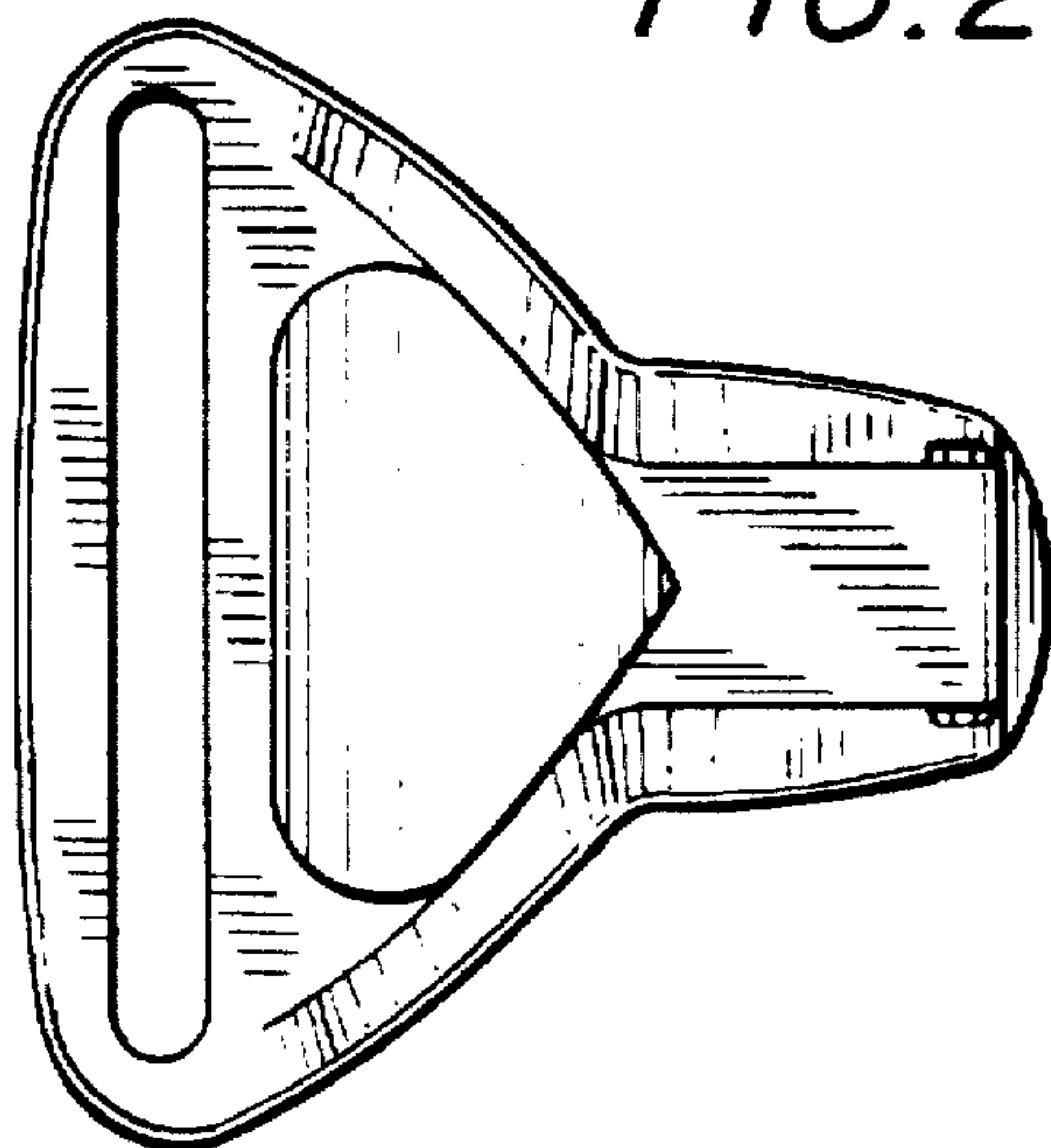


FIG. 2

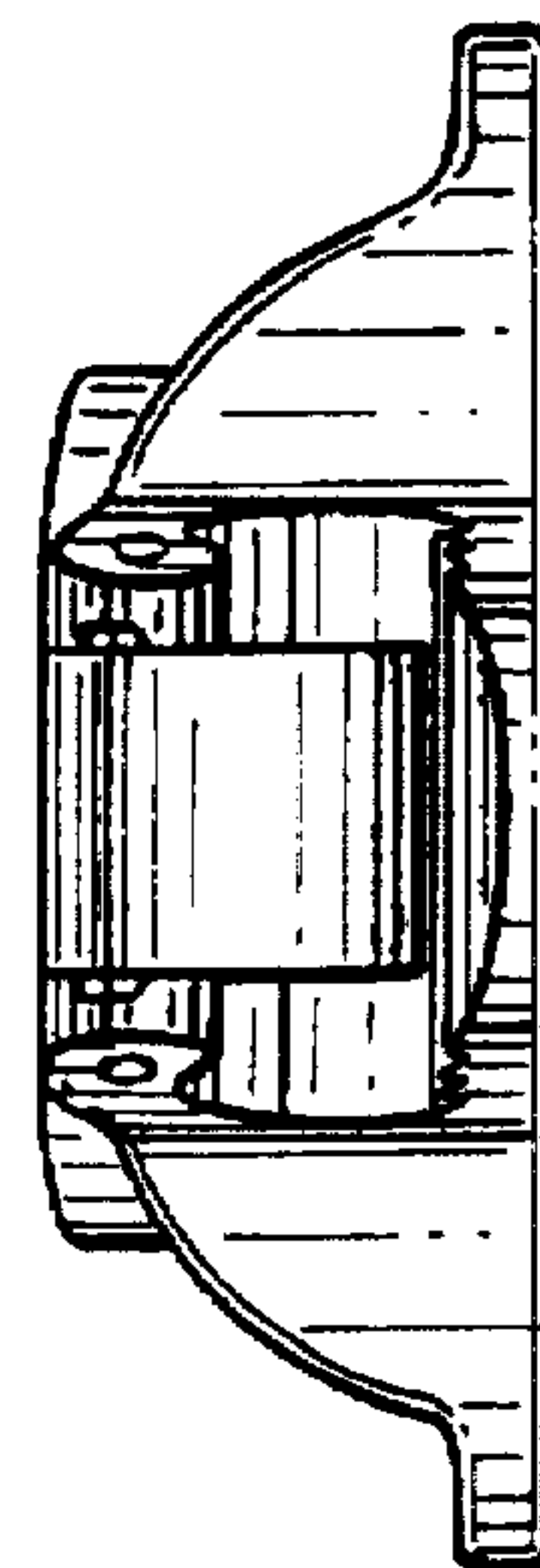


FIG. 3

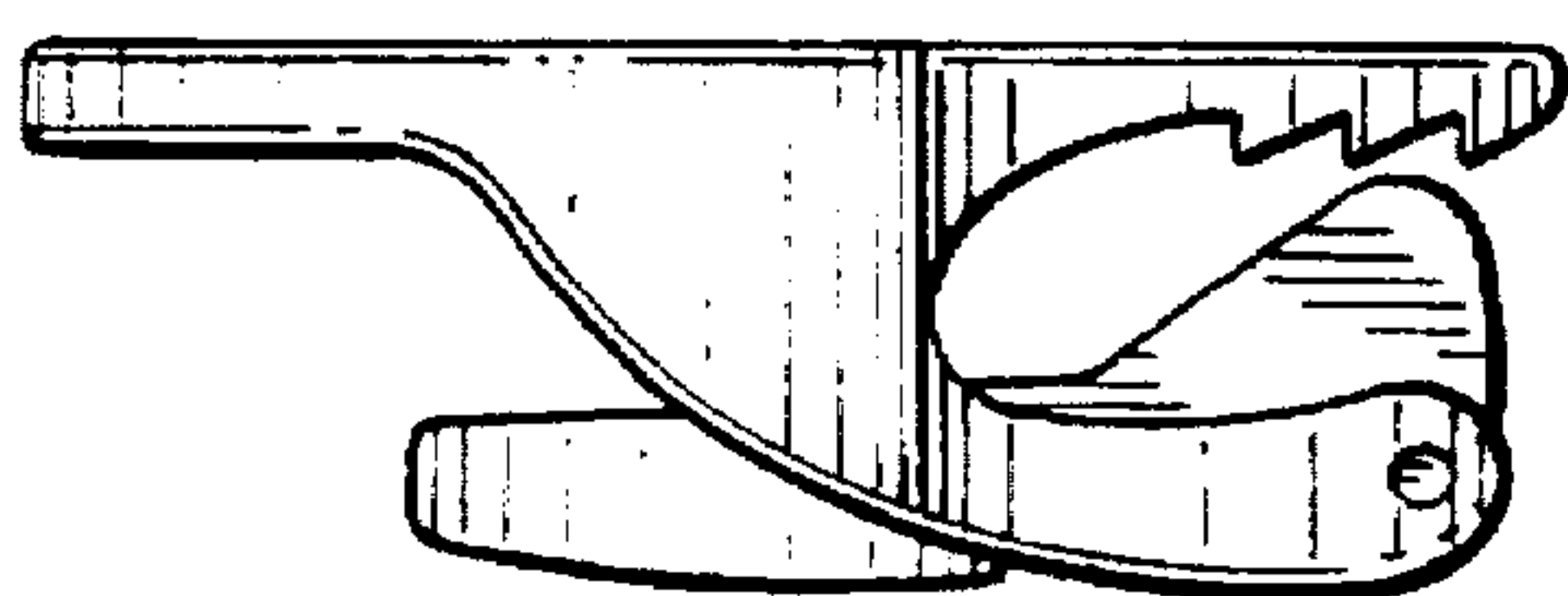


FIG. 4

FIG. 5

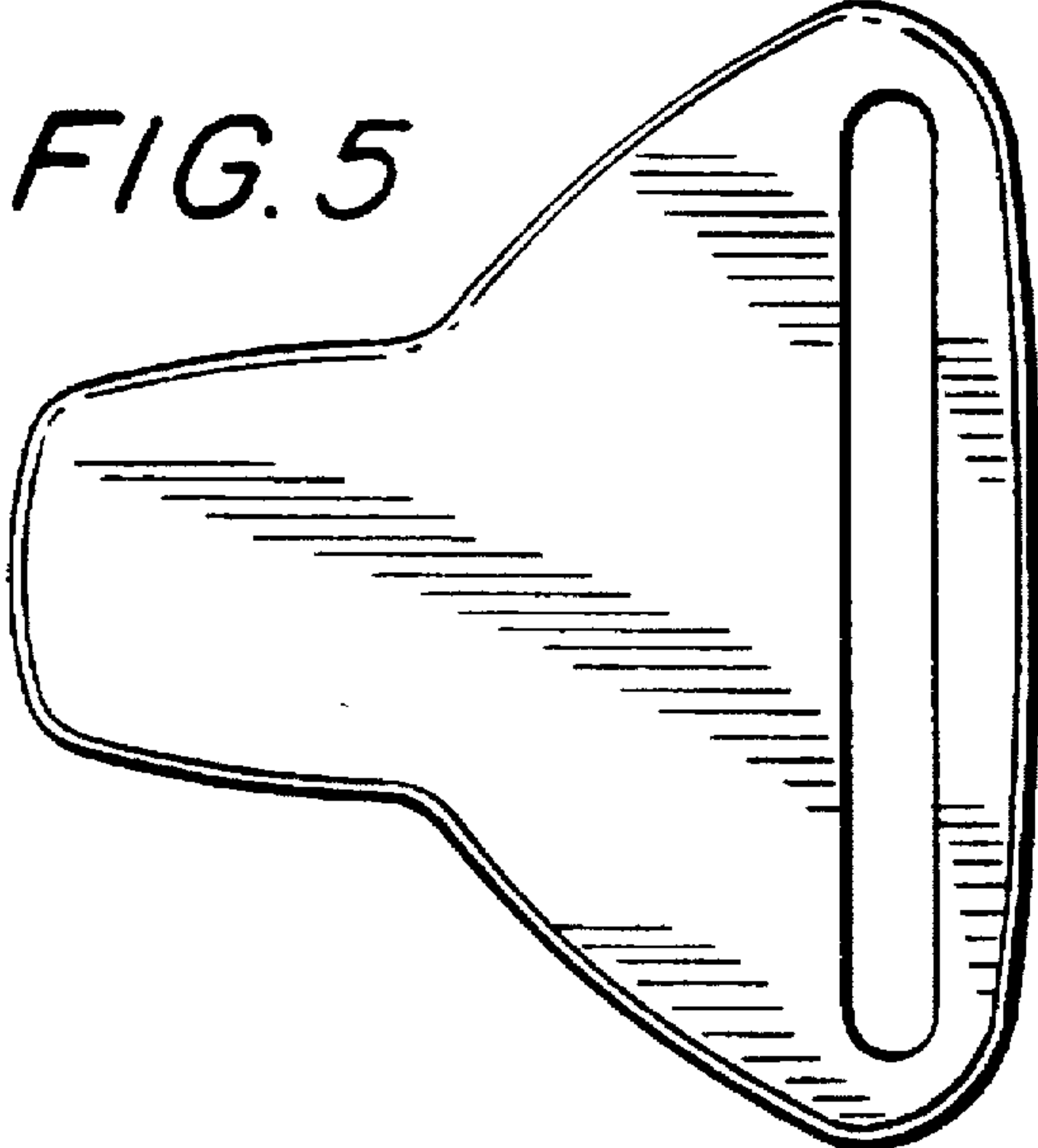


FIG. 6

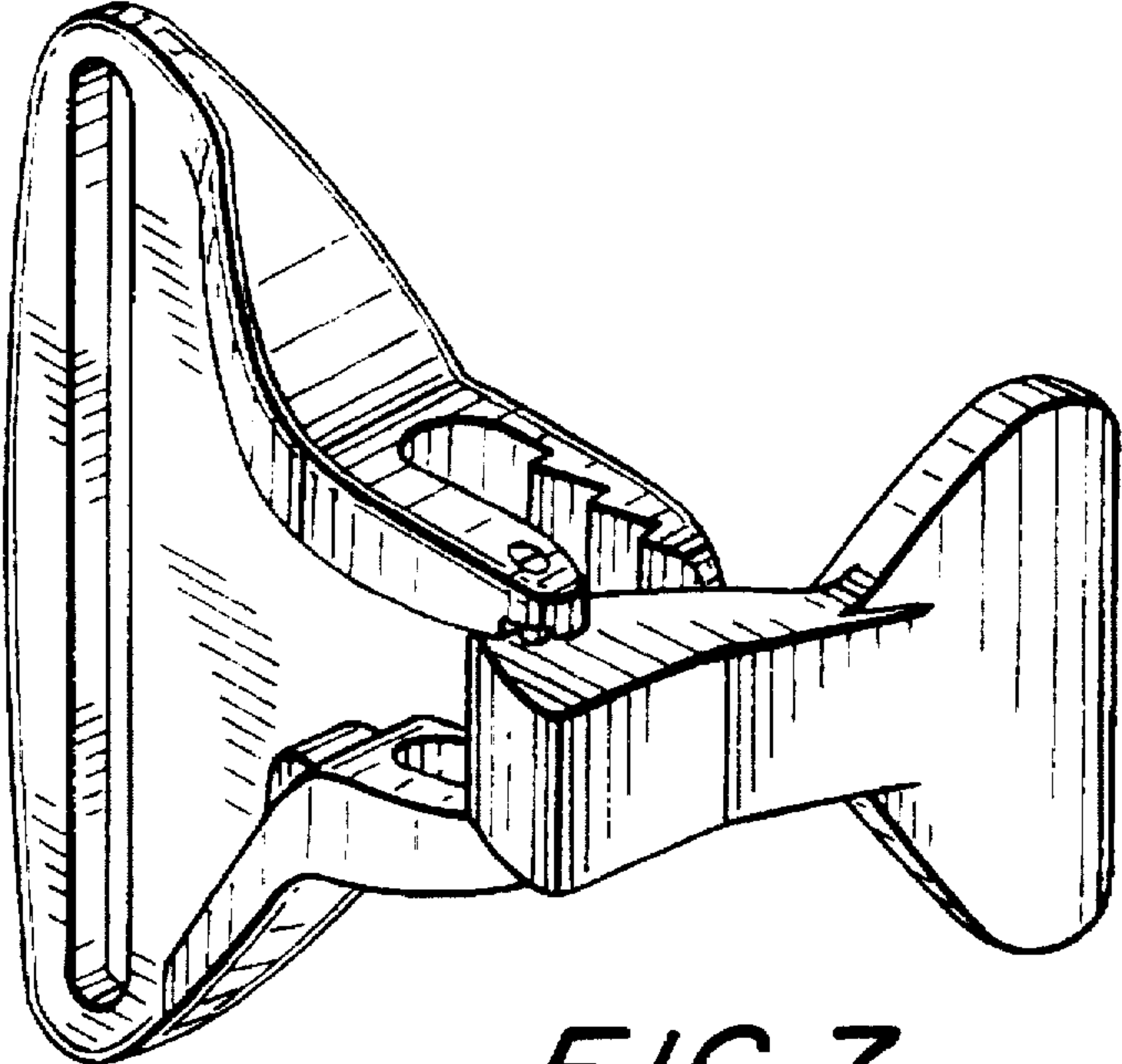


FIG. 7