



US00D391888S

United States Patent [19]

Fox

[11] Patent Number: Des. 391,888

[45] Date of Patent: **Mar. 10, 1998

[54] EARRING

D. 339,763 9/1993 Nalbandian D11/86
3,307,375 3/1967 Estrin et al. D11/89

[76] Inventor: Carole Darlene Fox, 61 Centre St., N.
Brampton, Ontario, Canada, L6V 1T1

Primary Examiner—Ralf Seifert
Attorney, Agent, or Firm—Bereskin & Parr

[**] Term: 14 Years

[57] CLAIM

[21] Appl. No.: 56,307

The ornamental design for an earring, as shown.

[22] Filed: Jun. 29, 1996

DESCRIPTION

[51] LOC (6) Cl. 11-01

FIG. 1 is a perspective view of an earring showing my new design;

[52] U.S. Cl. D11/41

FIG. 2 is an exploded view of FIG. 1 ;

[58] Field of Search D11/1, 2, 40-48,
D11/86-89, 91-22; 63/1.1-43, 900; 24/705

FIG. 3 is a side elevational view;

FIG. 4 is a cross-sectional view taken along lines 4-4 of FIG. 5 ;

[56] References Cited

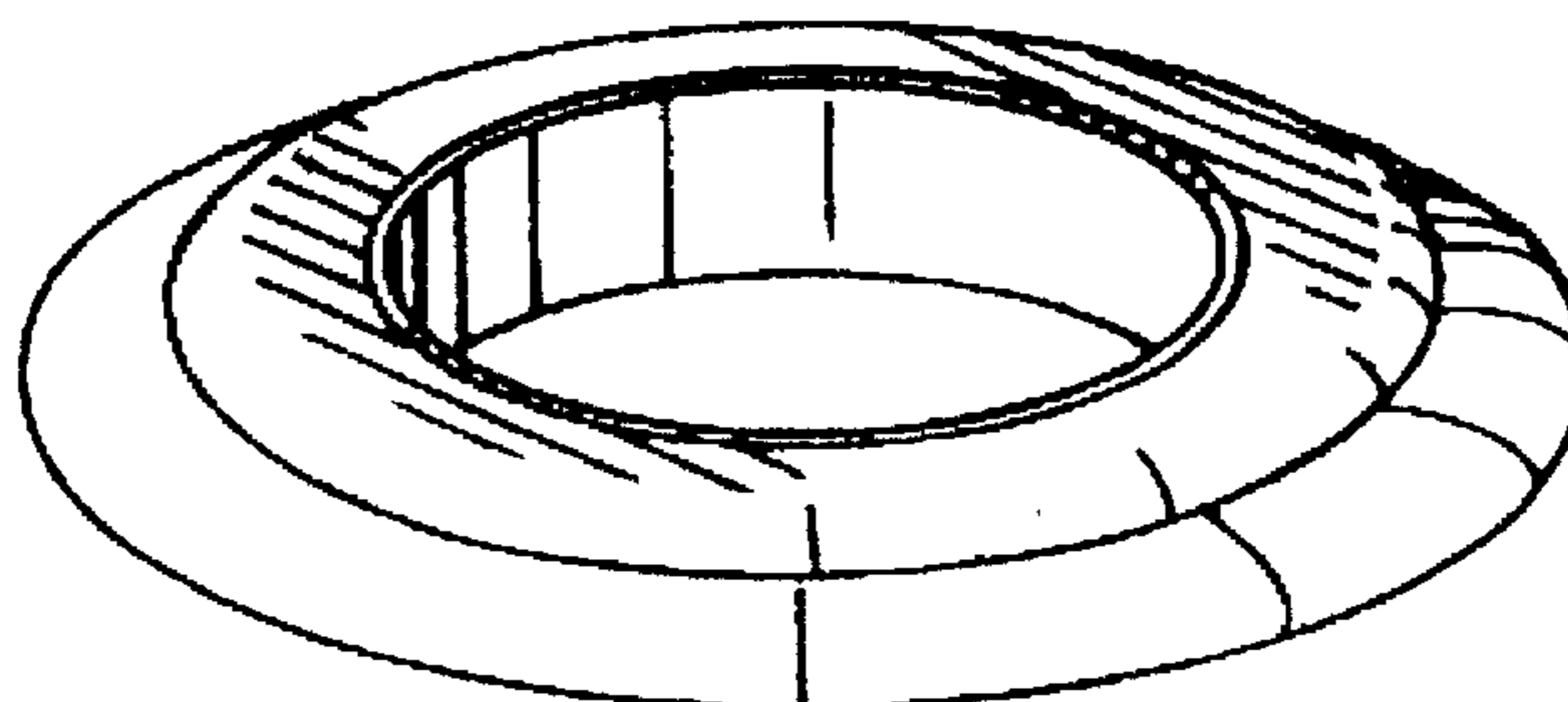
FIG. 5 is a top plan view; and,

FIG. 6 is a bottom plan view.

U.S. PATENT DOCUMENTS

D. 339,762 9/1993 Coleman D11/89

1 Claim, 1 Drawing Sheet



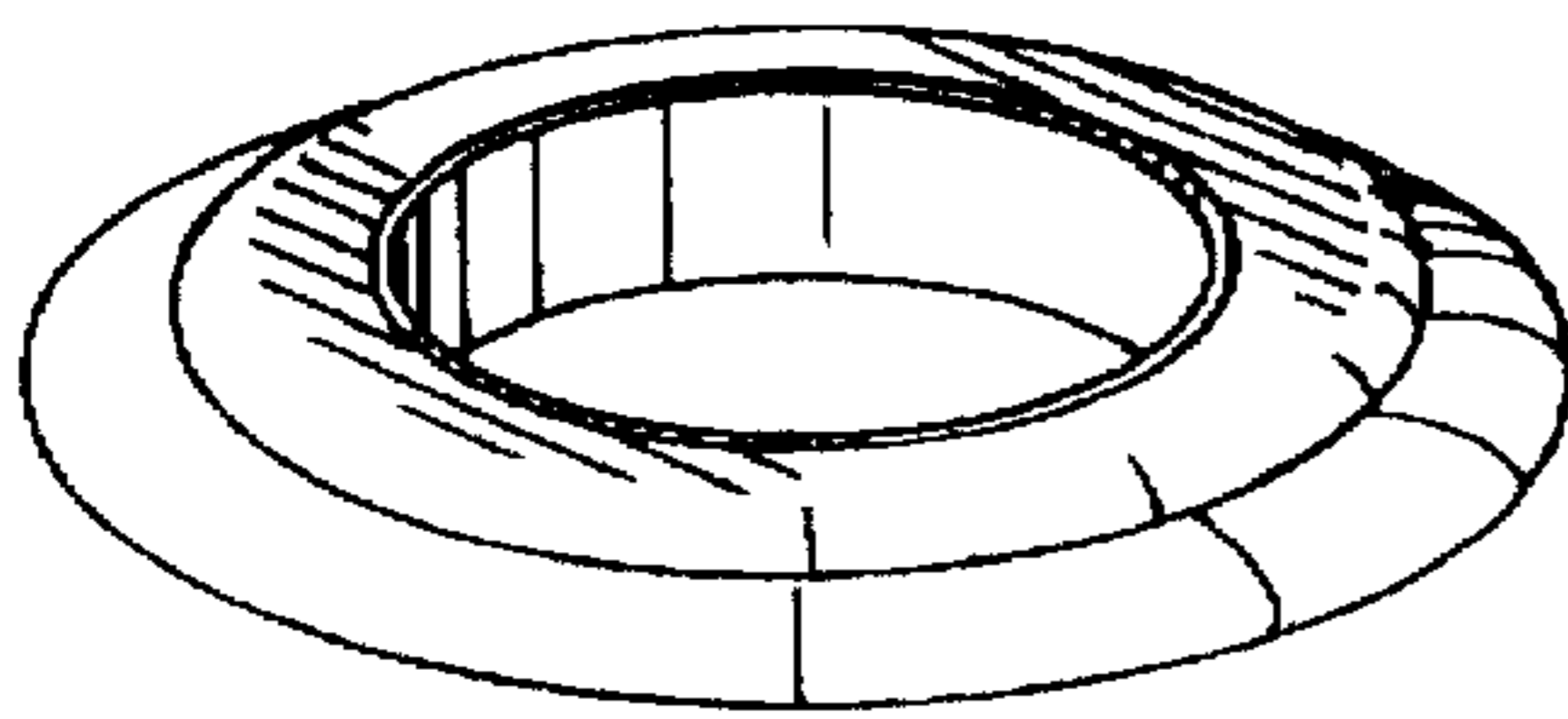


FIG. 1



FIG. 4

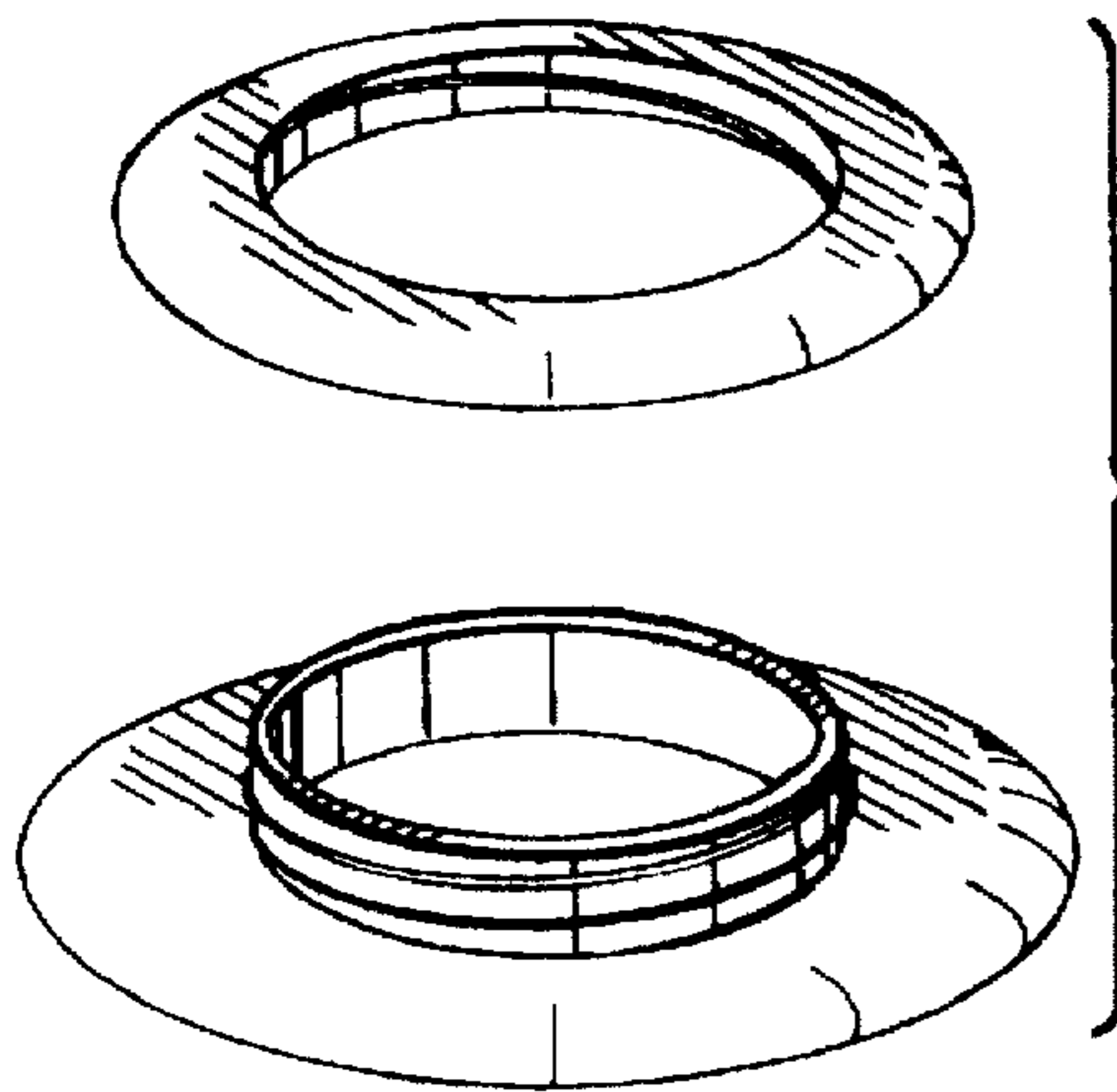


FIG. 2

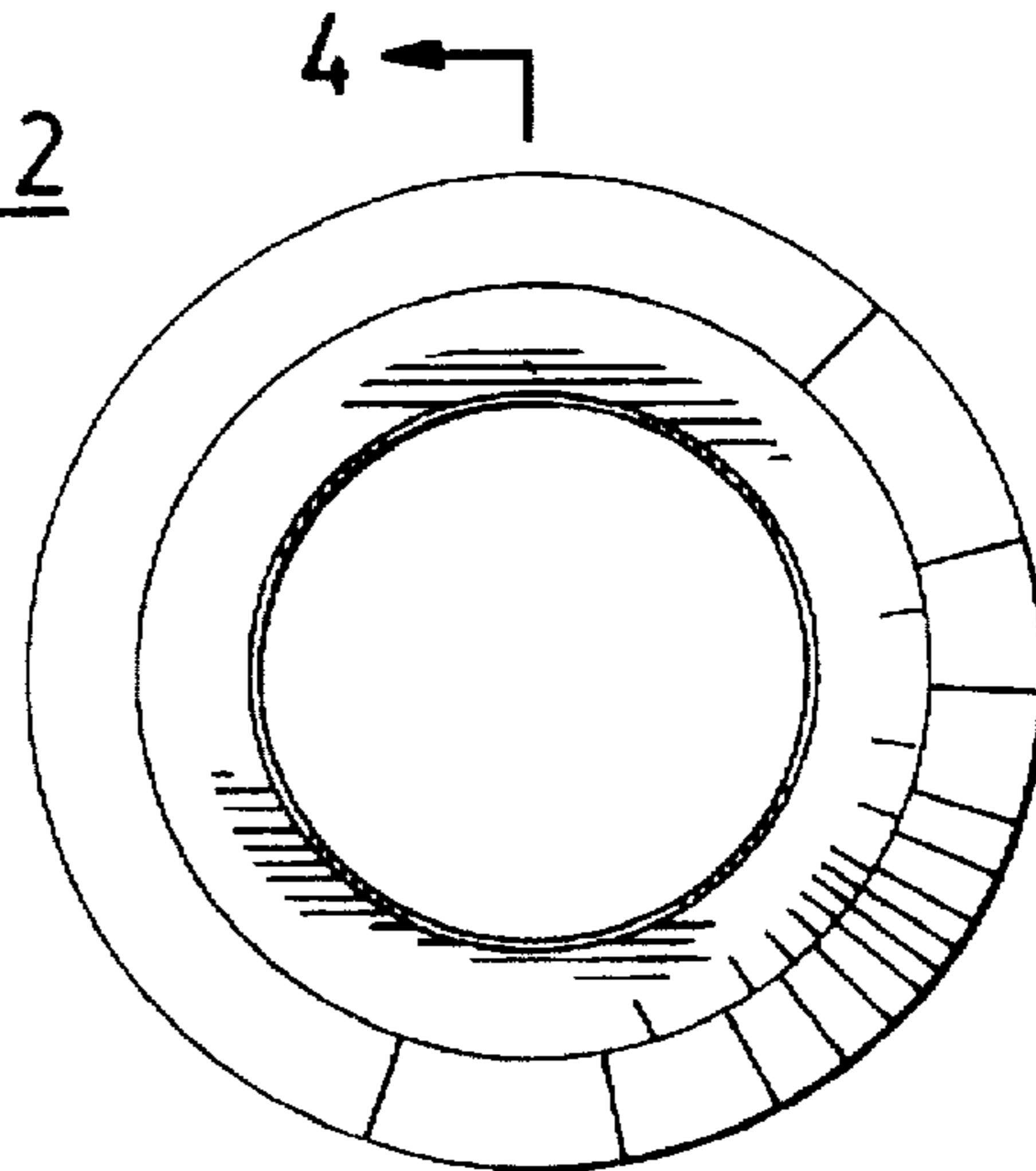


FIG. 5

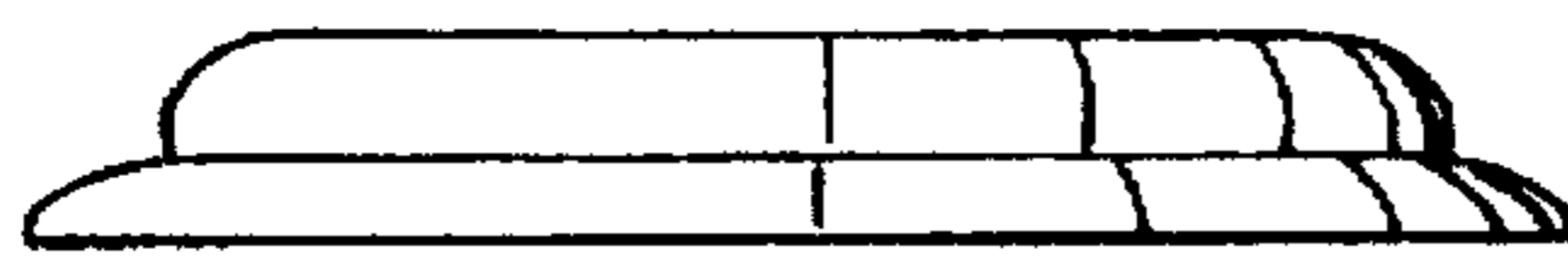


FIG. 3

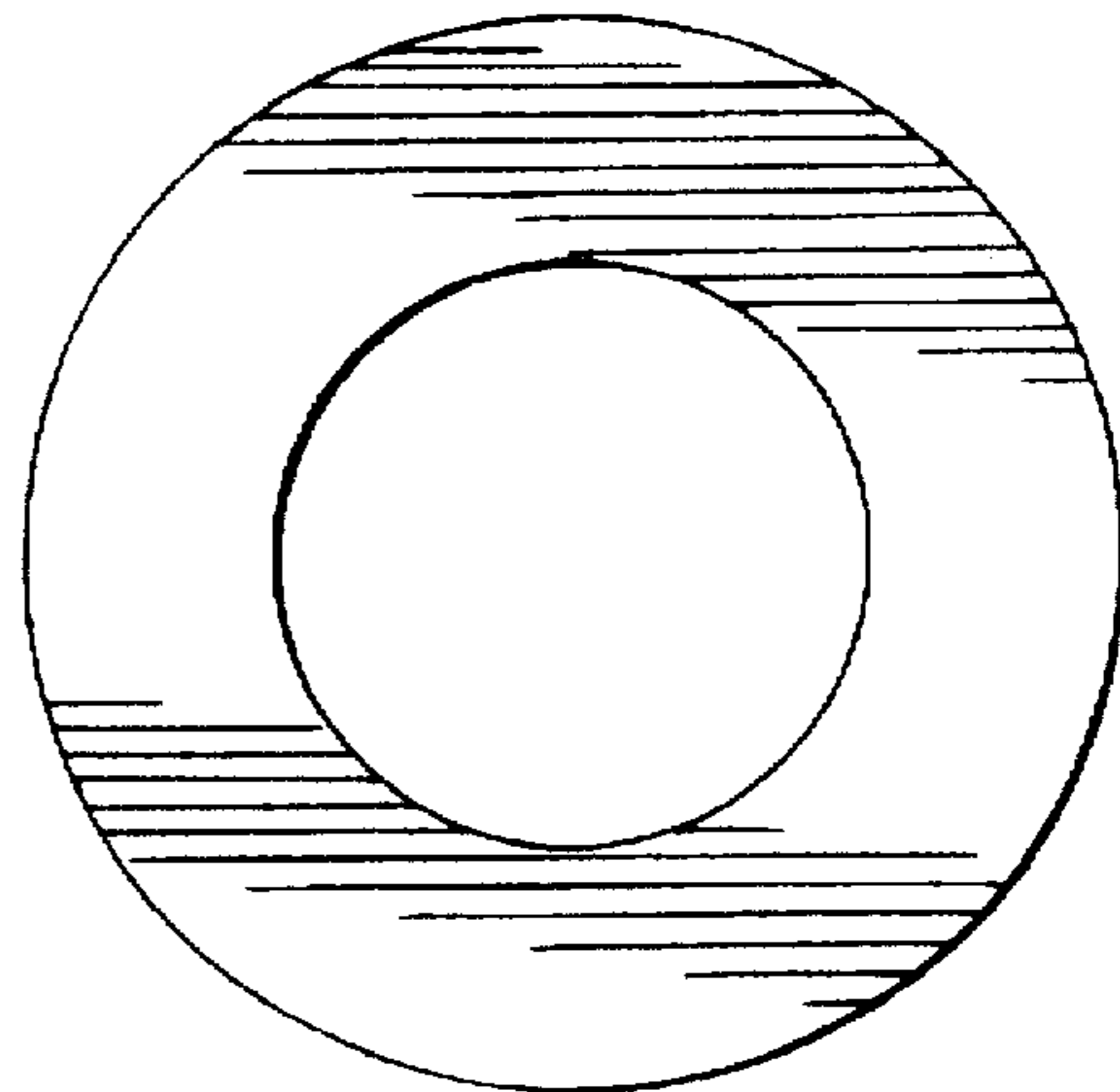


FIG. 6