



US00D391885S

United States Patent [19]
Kennedy

[11] **Patent Number: Des. 391,885**

[45] **Date of Patent: **Mar. 10, 1998**

[54] **WATCH BRACELET**

[76] **Inventor: Amelia Kennedy, 83 W. Side Rd., Woodbury, Conn. 06798**

[**] **Term: 14 Years**

[21] **Appl. No.: 66,974**

[22] **Filed: Feb. 25, 1997**

[51] **LOC (6) Cl. 11-01**

[52] **U.S. Cl. D11/12**

[58] **Field of Search D11/1-21, 93-94, D11/87, 25; 63/1.1-11, 26; 59/78-82, 84, 90-92; D10/30-39**

[56] **References Cited**

U.S. PATENT DOCUMENTS

2,385,923	10/1945	Klaucke et al.	D11/12
2,517,011	8/1950	Meyers	D11/19
3,042,277	7/1962	Stradella	63/5.1
3,069,963	10/1962	Ichinose	63/4

3,837,163	9/1974	Fujimori	63/4
3,924,418	12/1975	Bürkle, Jr.	63/4
5,038,557	8/1991	Otsuki	63/4
5,154,047	10/1992	Takagi	63/3

Primary Examiner—Ralf Seifert
Attorney, Agent, or Firm—Paul R. Juhasz

[57] **CLAIM**

The ornamental design for a watch bracelet, as shown and described.

DESCRIPTION

FIG. 1 is a perspective view of a watch bracelet showing my new design;

FIG. 2 is a top plan view thereof;

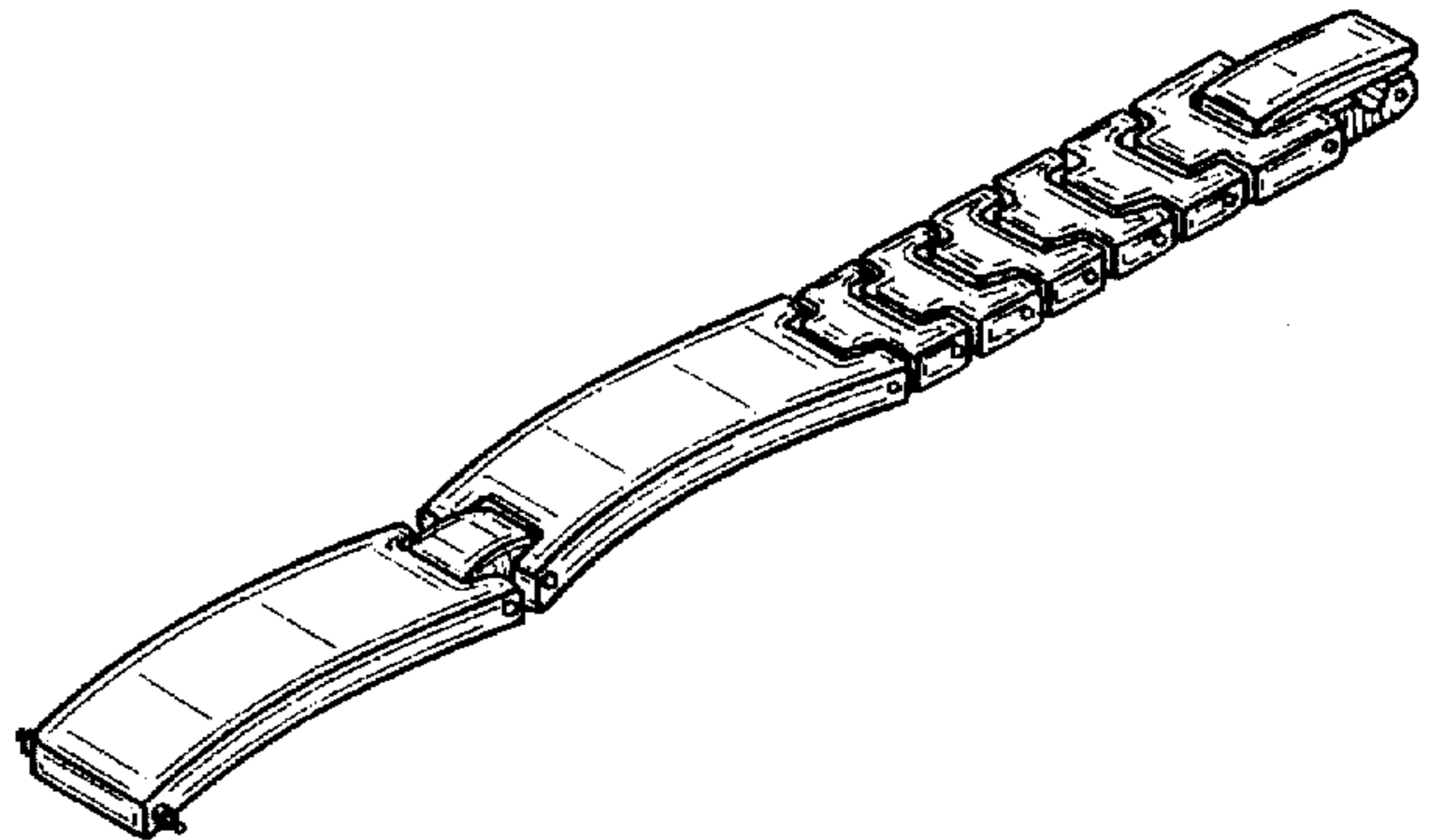
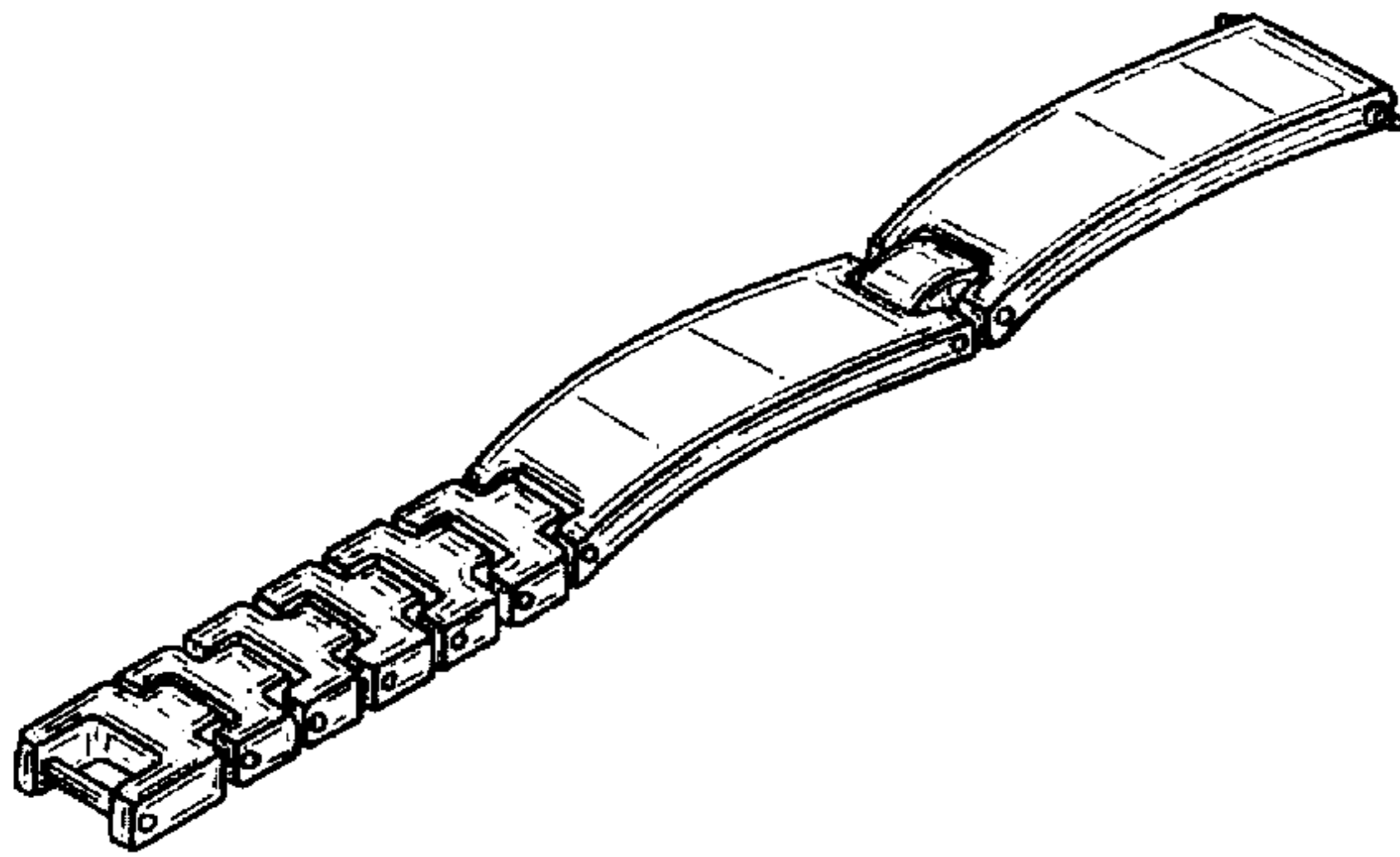
FIG. 3 is a right side elevational view thereof;

FIG. 4 is bottom plan view thereof;

FIG. 5 is an end elevational view thereof; and,

FIG. 6 is the other end elevational view thereof.

1 Claim, 2 Drawing Sheets



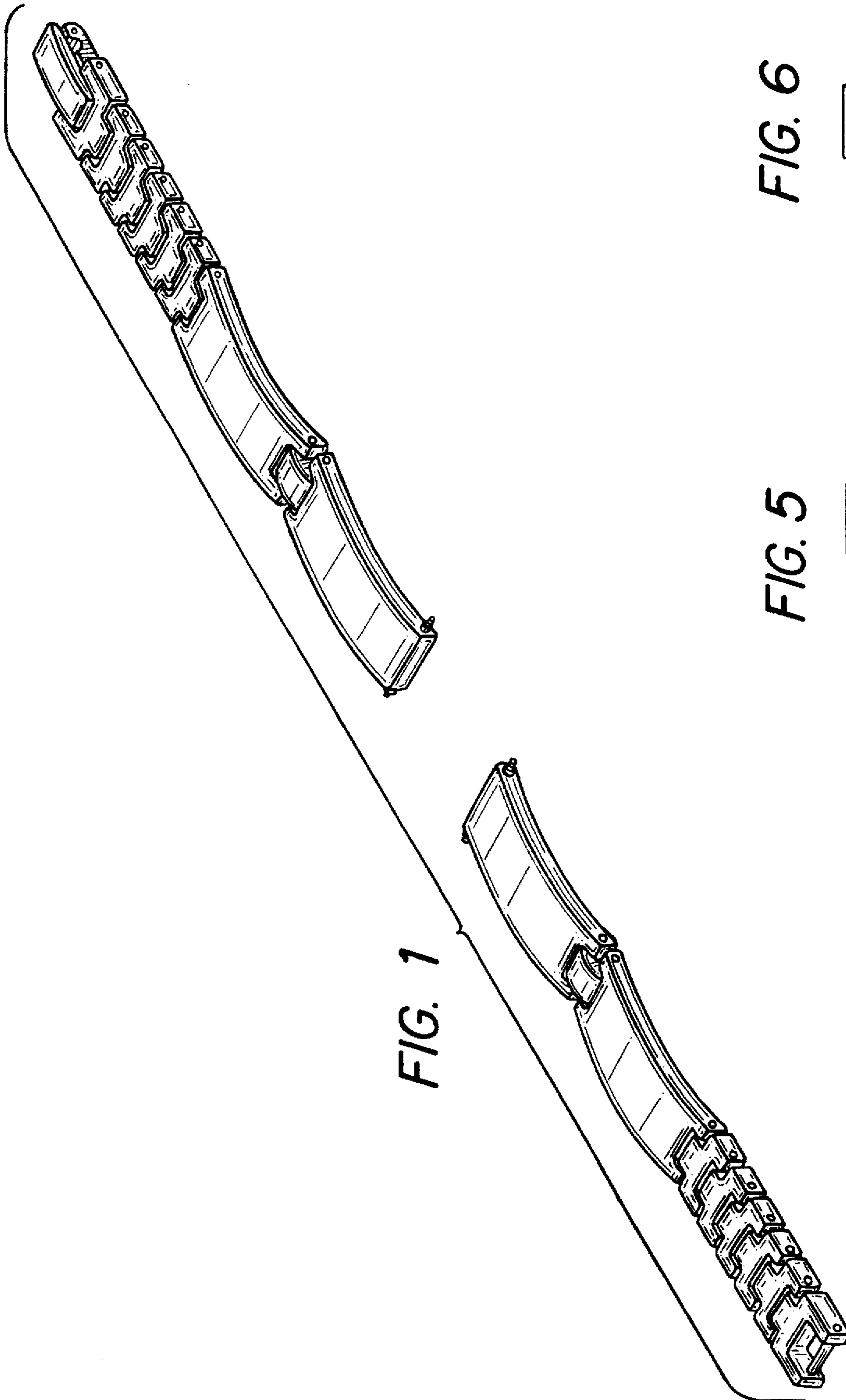


FIG. 1

FIG. 6

FIG. 5



FIG. 2

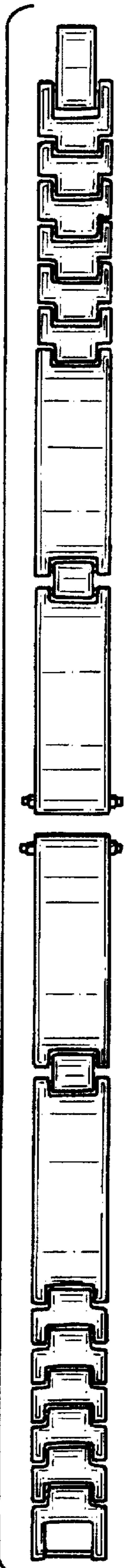


FIG. 3



FIG. 4

