



US00D391881S

United States Patent [19]
Youseph

[11] **Patent Number:** **Des. 391,881**
[45] **Date of Patent:** ****Mar. 10, 1998**

[54] **ILLUMINABLE INDICATOR LIGHT**

D. 340,001 10/1993 Watkins D10/114
D. 349,467 8/1994 Halaby D10/114
D. 376,332 12/1996 Fersano D10/114

[75] **Inventor:** **Paul Youseph, Veradale, Wash.**

[73] **Assignees:** **Christian P. Youseph; Kamiel P. Youseph, both of Veradale, Wash.**

Primary Examiner—Marcus A. Jackson
Attorney, Agent, or Firm—Wells, St. John, Roberts, Gregory & Matkin, P.S.

[**] **Term:** **14 Years**

[57] **CLAIM**

[21] **Appl. No.:** **67,526**

The ornamental design for an illuminable indicator light, as shown and described.

[22] **Filed:** **Mar. 10, 1997**

DESCRIPTION

[51] **LOC (6) Cl.** **10-05**

[52] **U.S. Cl.** **D10/114**

[58] **Field of Search** D10/104, 109,
D10/111, 114, 121; 116/63 P, 63 T; 362/191,
196, 197, 198, 199, 200, 201, 202

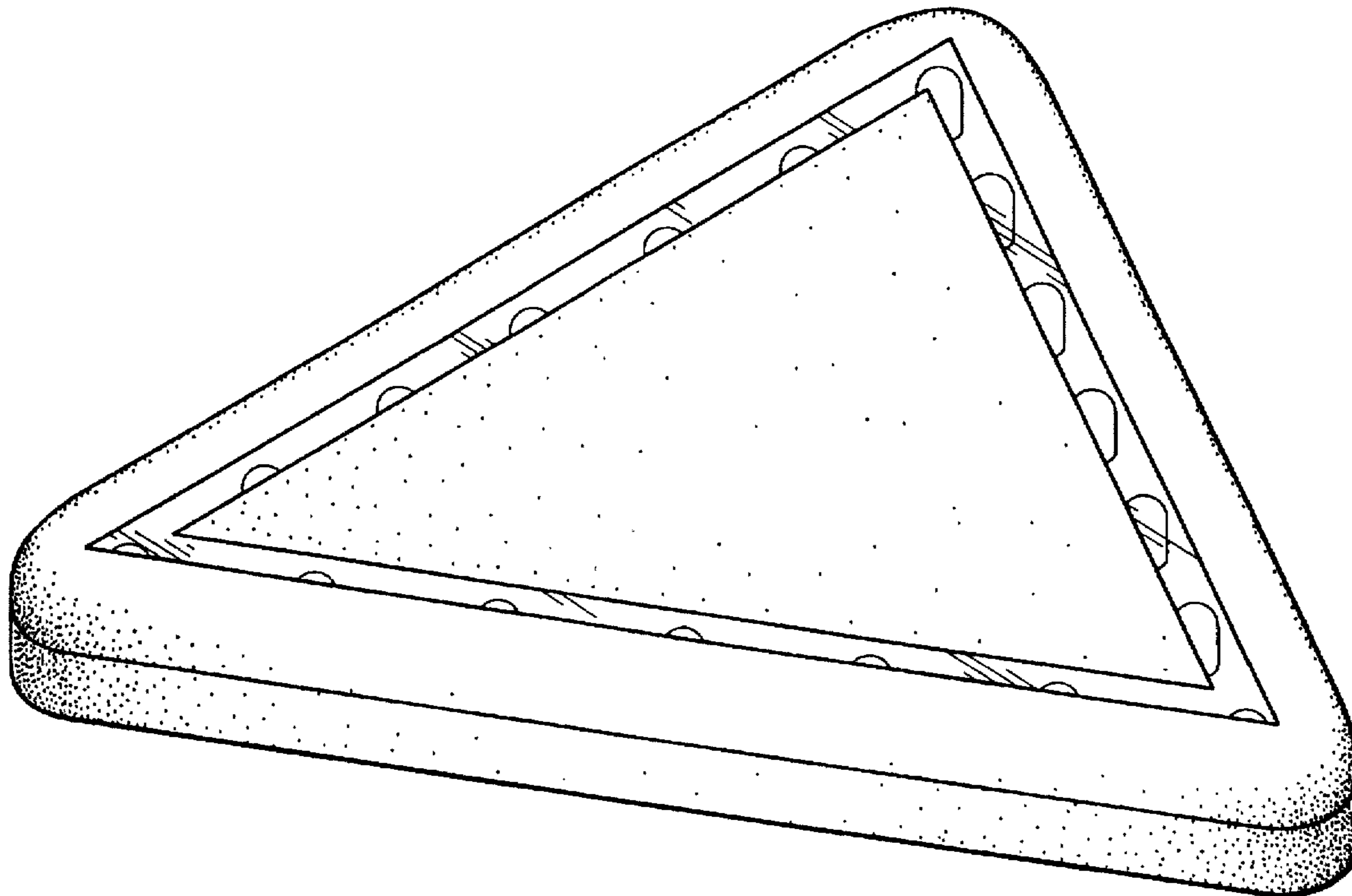
FIG. 1 is a bottom perspective view of an illuminable indicator light showing my new design;
FIG. 2 is a front elevated plan view thereof;
FIG. 3 is a rear elevated plan view thereof;
FIG. 4 is a top end elevated view thereof;
FIG. 5 is a bottom end elevated view thereof;
FIG. 6 is a right side elevated view thereof; and,
FIG. 7 is a left side elevated view thereof.

[56] **References Cited**

U.S. PATENT DOCUMENTS

D. 311,148 10/1990 Yuen D10/114
D. 314,161 1/1991 Kondo D10/114

1 Claim, 3 Drawing Sheets



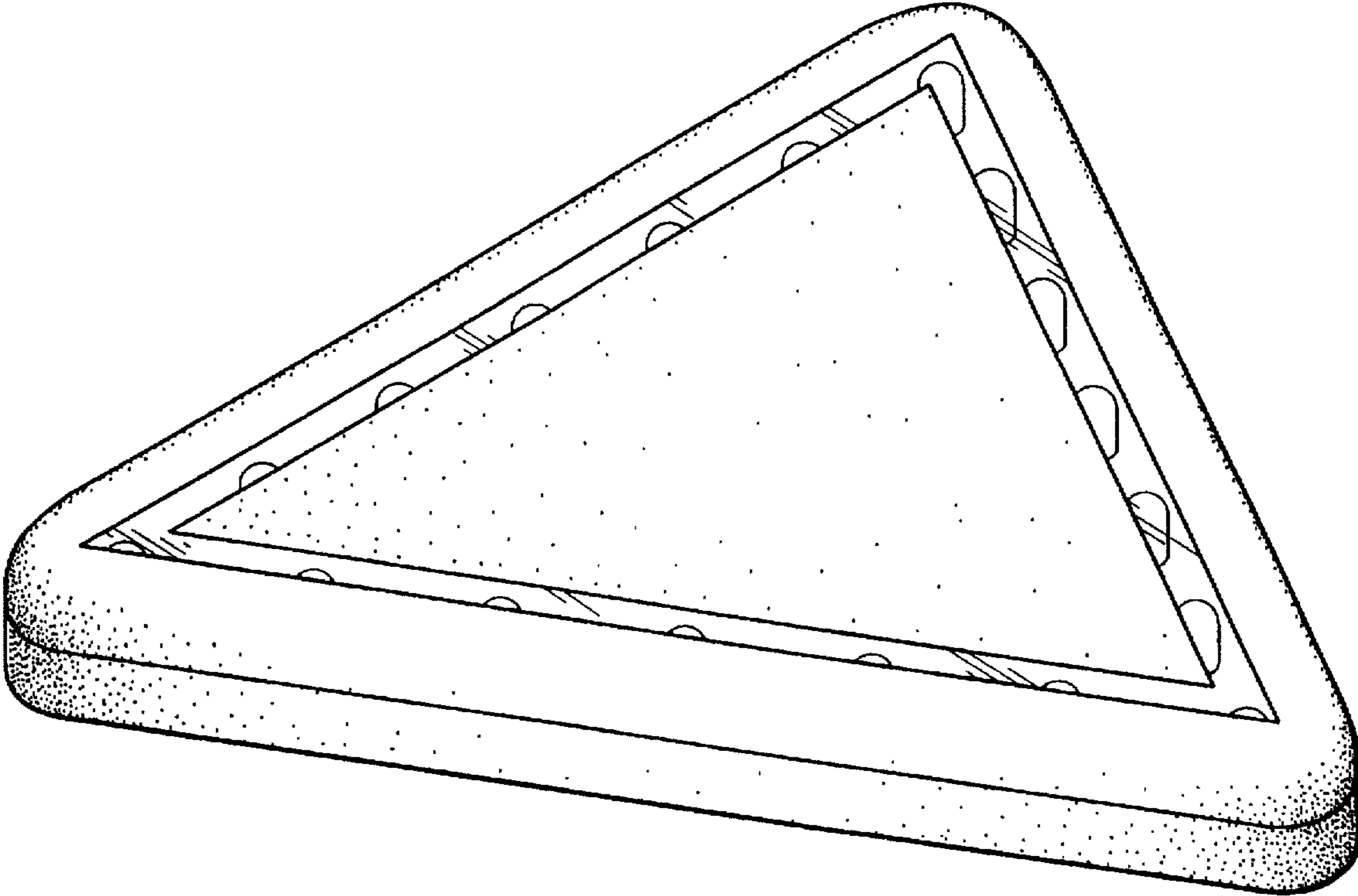


Fig. 1

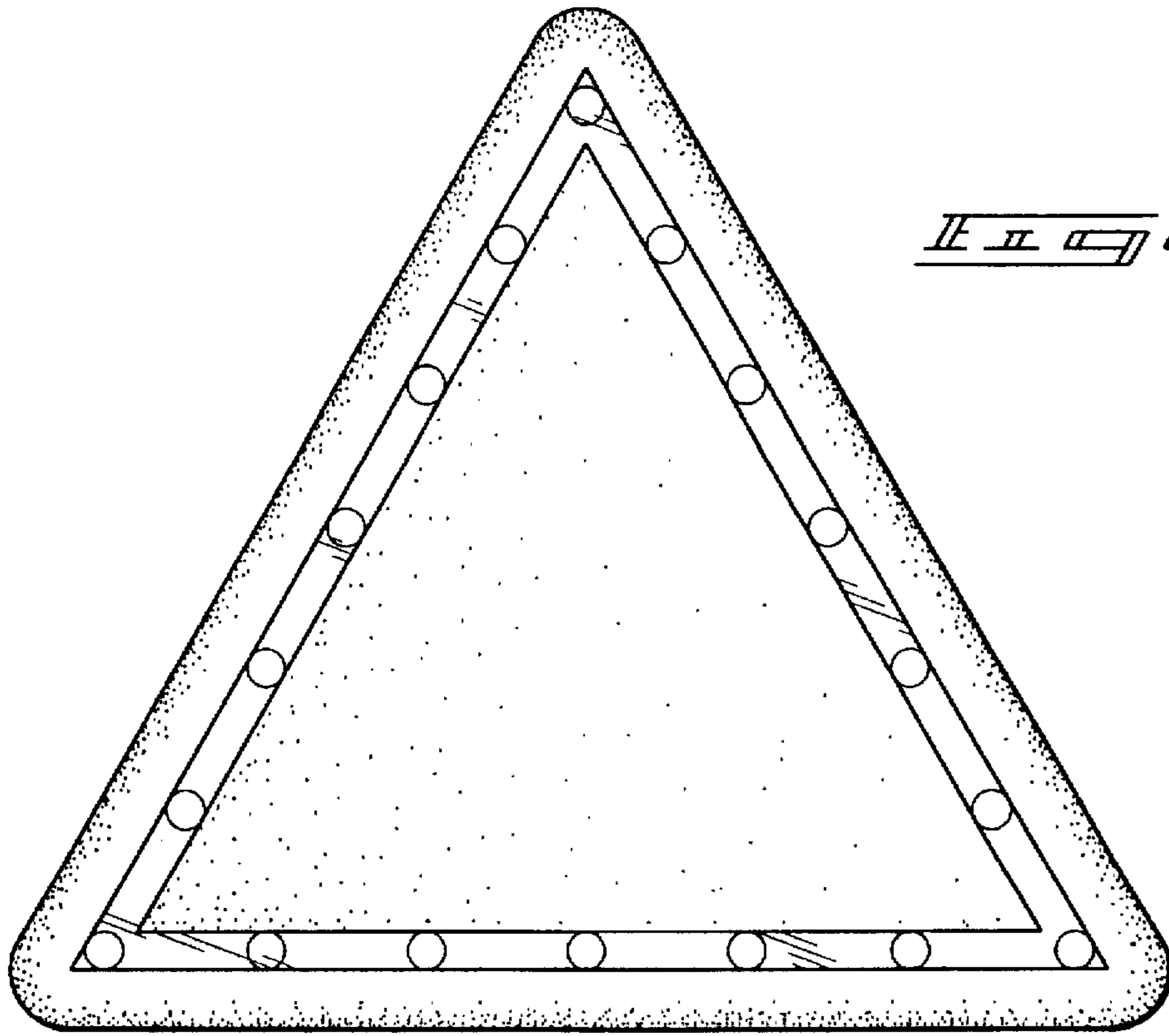


FIG. 2

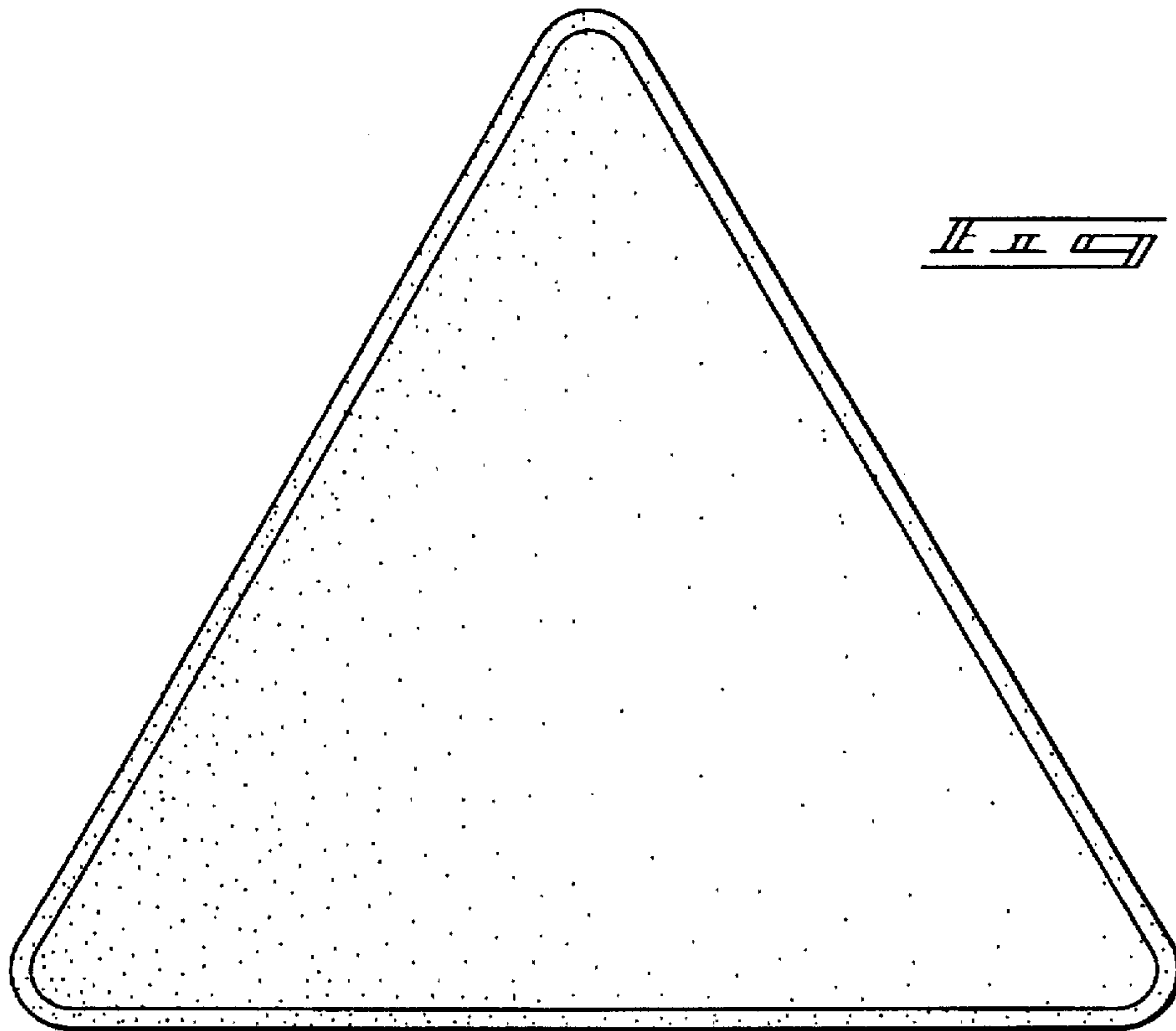


FIG. 3

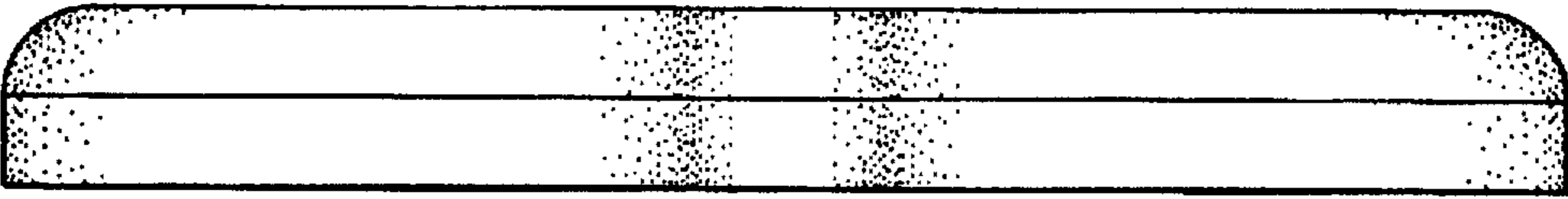


Fig. 4

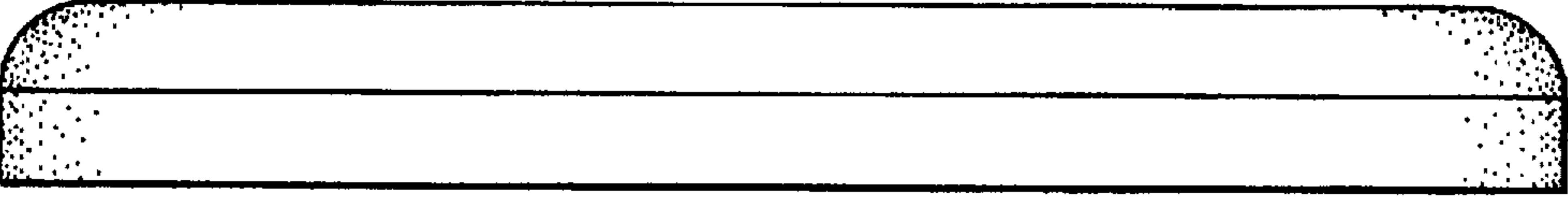


Fig. 5

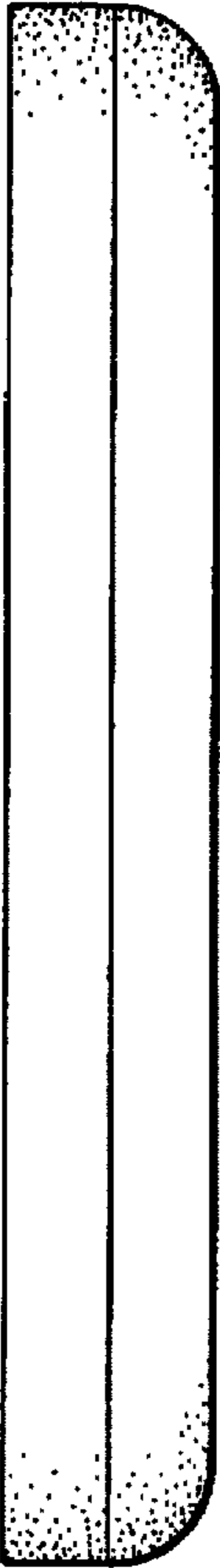


Fig. 6

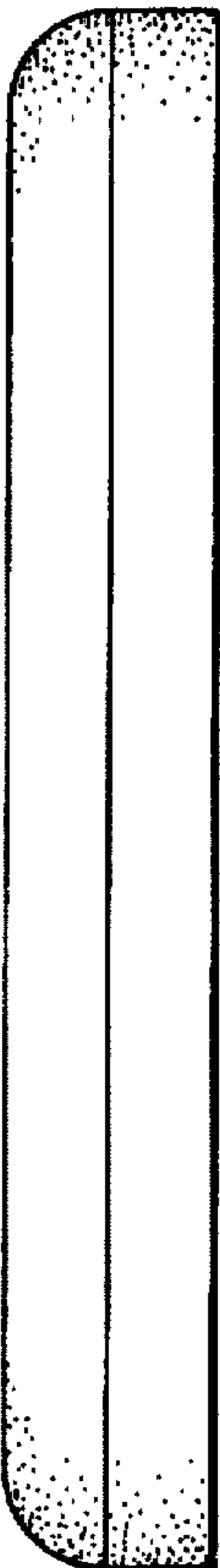


Fig. 7