



US00D391880S

United States Patent [19]

Mintz

[11] Patent Number: Des. 391,880

[45] Date of Patent: **Mar. 10, 1998

[54] PARKING SPACE IDENTIFIER

[76] Inventor: Annette Mintz, 713 Villa Capri, Olivette, Mo. 63132

[**] Term: 14 Years

[21] Appl. No.: 74,508

[22] Filed: Jul. 25, 1997

[51] LOC (6) Cl. 10-05

[52] U.S. Cl. D10/109

[58] Field of Search D10/109, 110, D10/111, 121; 116/28 A, 28 R, 28.1, 29, 30; 340/425.5, 435, 436, 437, 438

[56] References Cited

U.S. PATENT DOCUMENTS

D. 344,245	2/1994	Eichelberger	D10/109
D. 363,249	10/1995	Castillo	D10/109
D. 373,094	8/1996	Marderosian	D10/109
1,250,064	12/1917	Whims	D10/109
1,708,459	4/1929	Wood	D10/109
3,380,428	4/1968	Abrams	D10/109

Primary Examiner—Marcus A. Jackson

[57] CLAIM

The ornamental design for a parking space identifier, as shown.

DESCRIPTION

FIG. 1 is a front plan view of the parking space identifier of the present invention, with the center portion broken away to indicate indeterminate length;

FIG. 2 is a back plan view of the parking space identifier of FIG. 1;

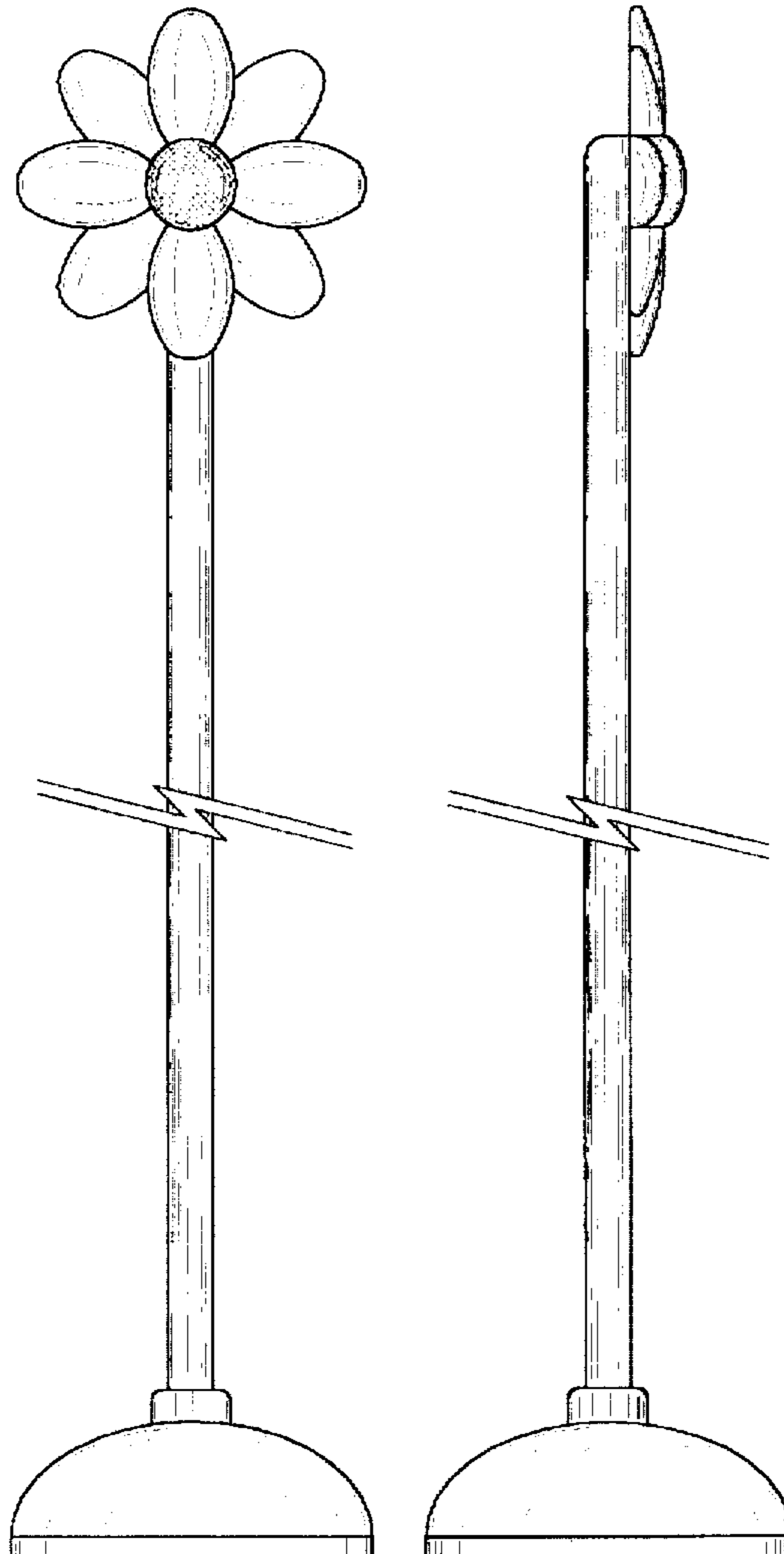
FIG. 3 is a left side plan view of the parking space identifier of FIG. 1;

FIG. 4 is a right side plan view of the parking space identifier of FIG. 1;

FIG. 5 is a top plan view of the parking space identifier of FIG. 1; and,

FIG. 6 is a bottom plan view of the parking space identifier of FIG. 1.

1 Claim, 3 Drawing Sheets



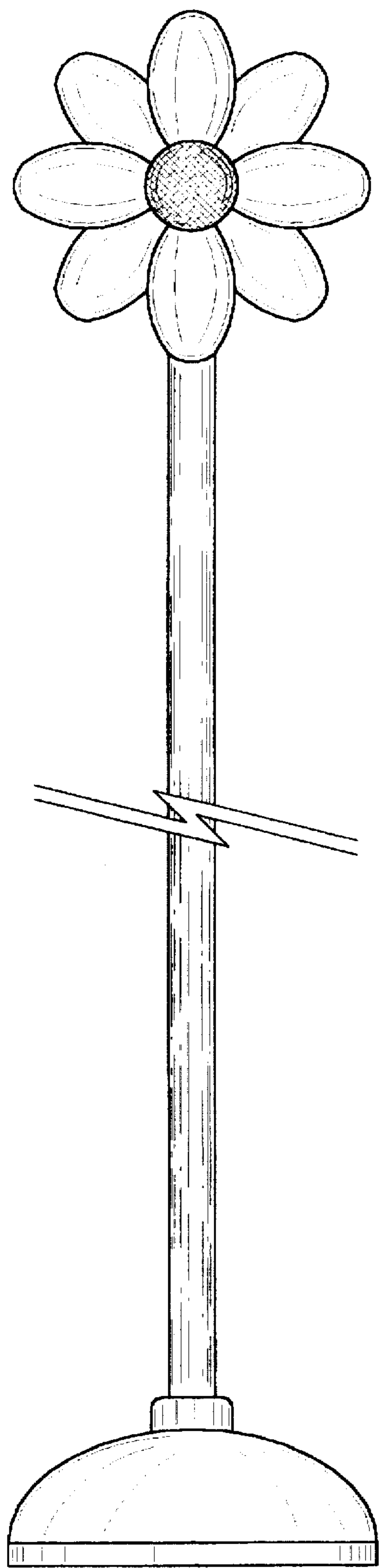


Fig. 1

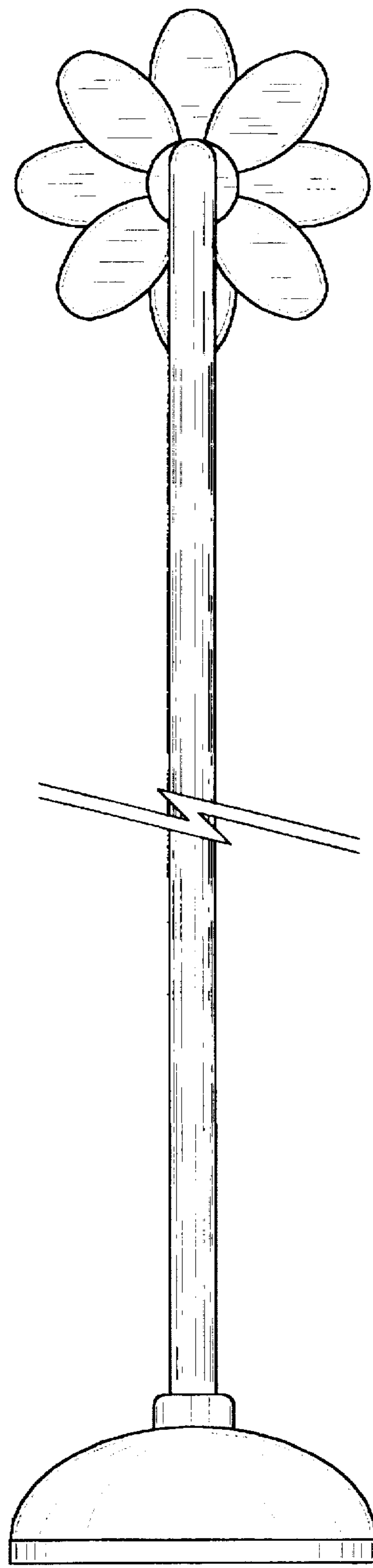


Fig. 2

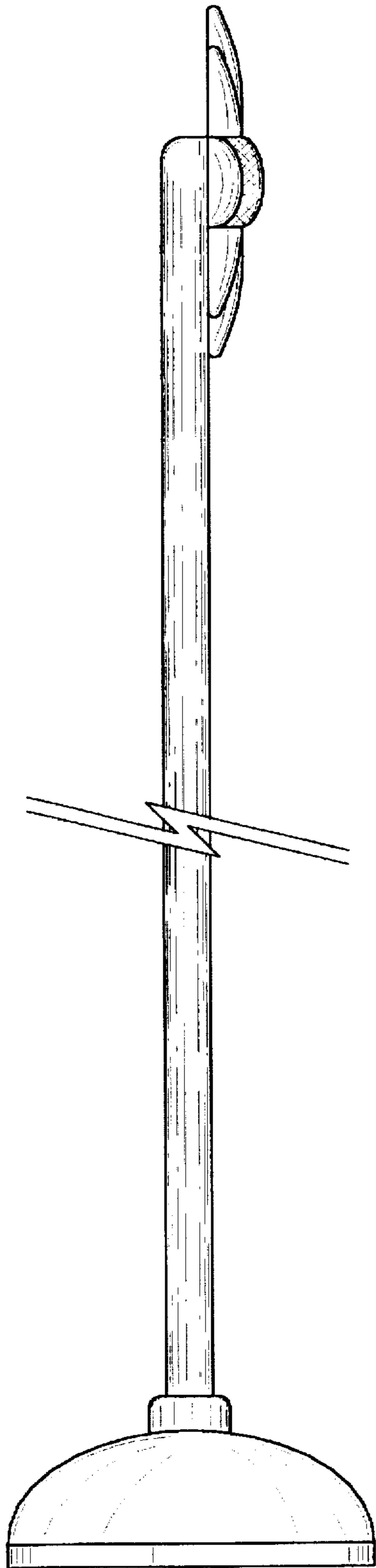


Fig. 3

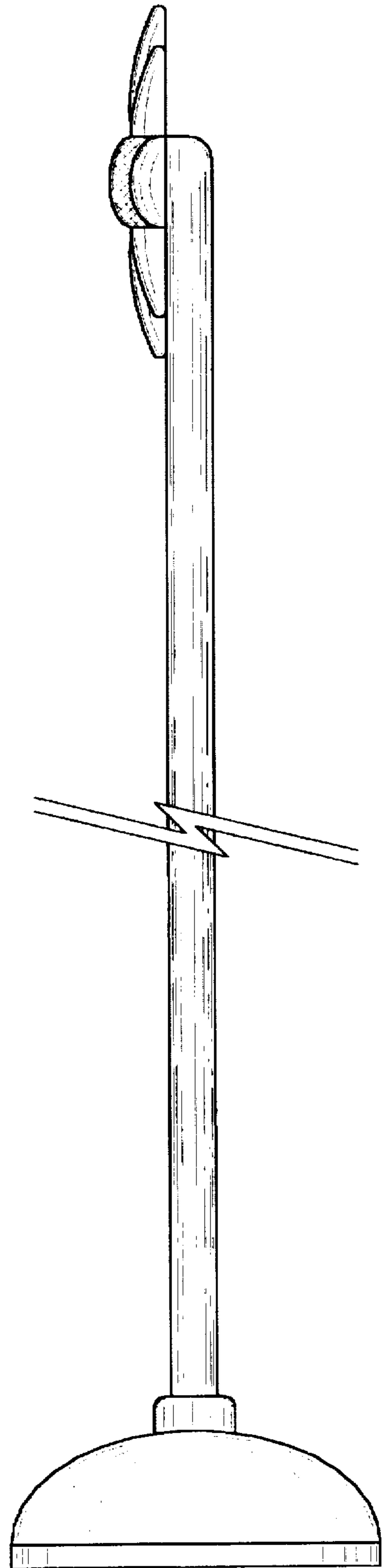


Fig. 4

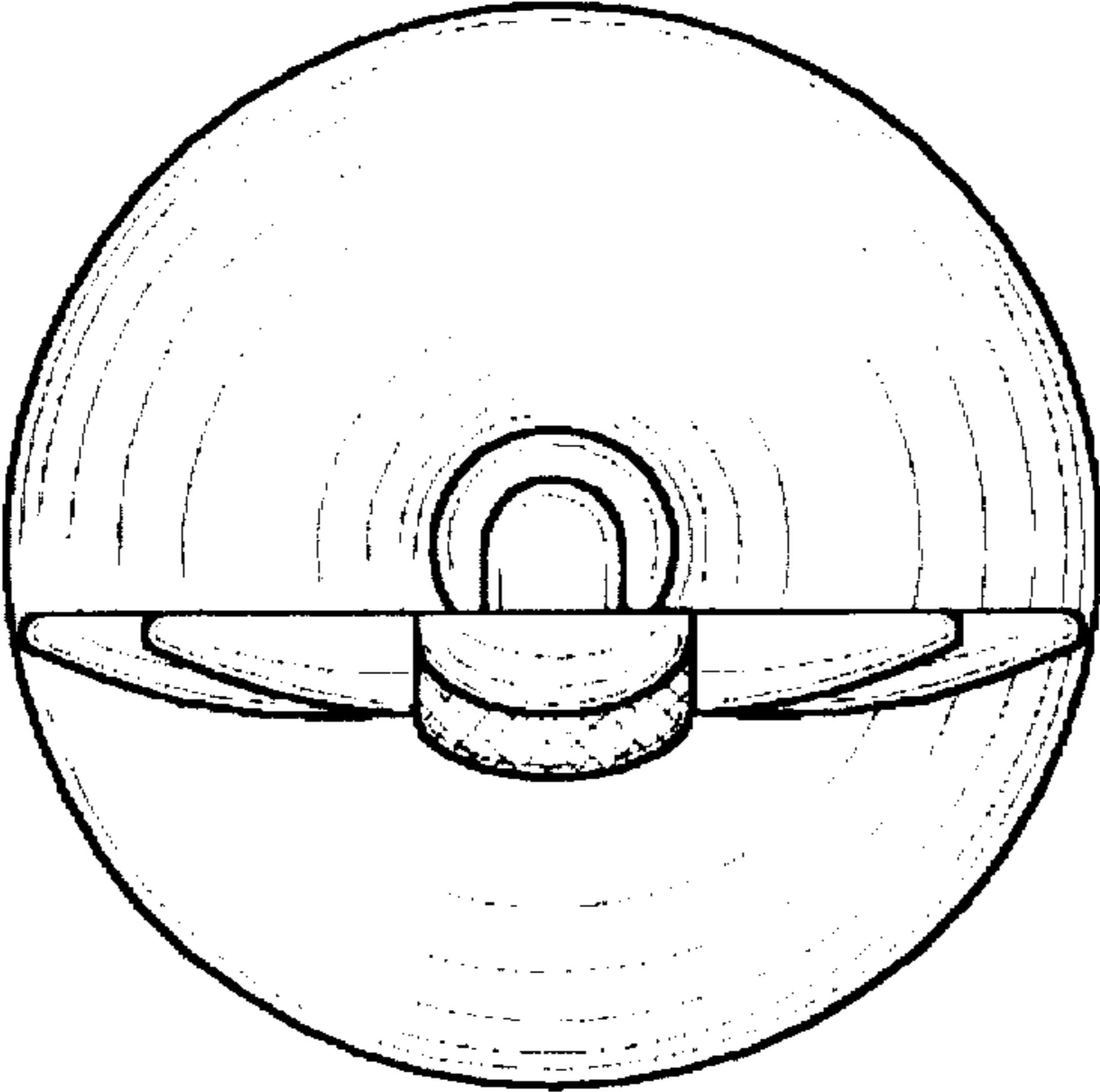


Fig. 5

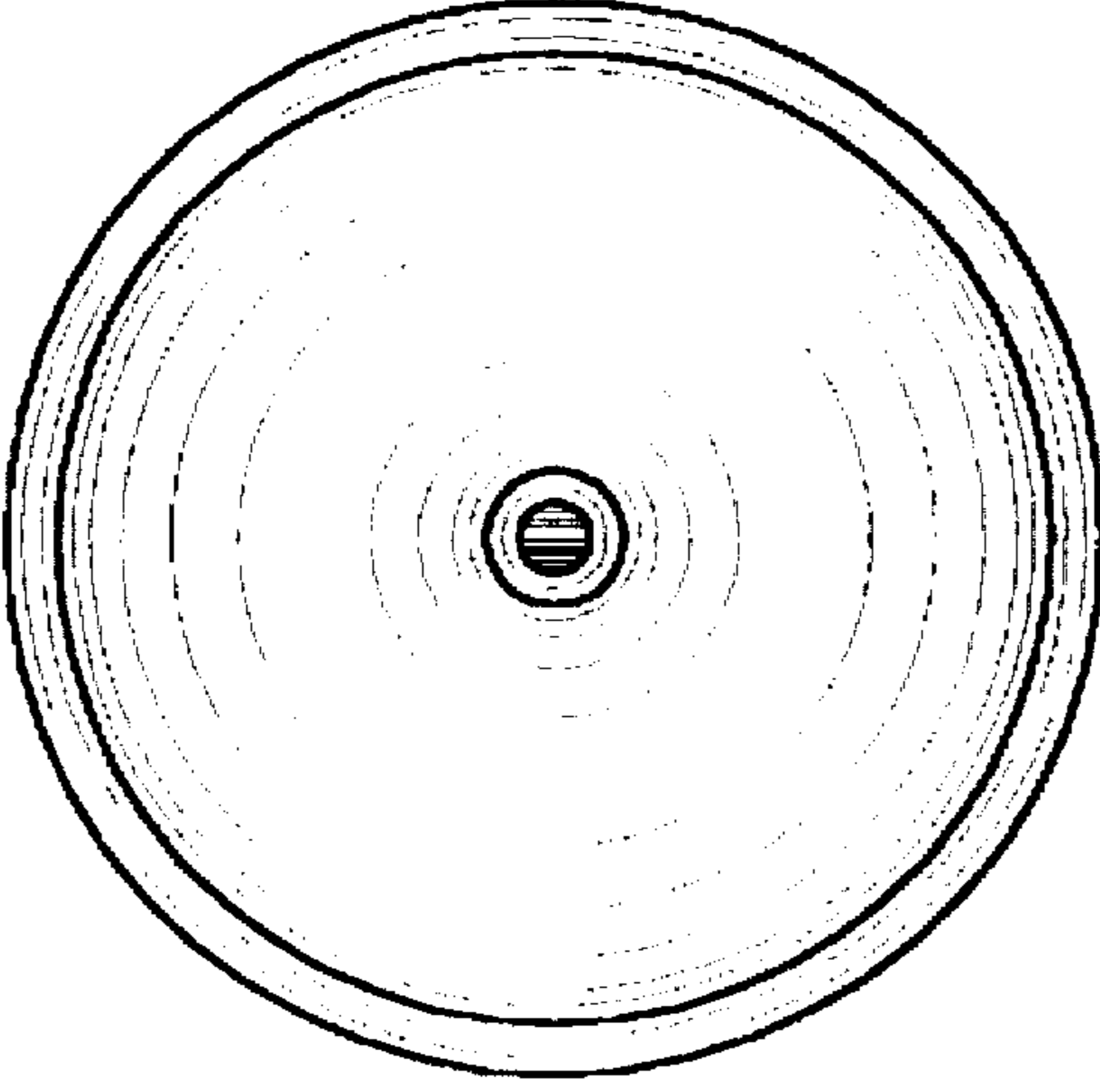


Fig. 6