

US00D391875S

United States Patent [19]

Frontz, II

[11] Patent Number: Des. 391,875

[45] Date of Patent: **Mar. 10, 1998

[54] WEATHERVANE SUPPORT

[76] Inventor: **Walter James Frontz, II**, 2552 Lackey Old State Rd., Delaware, Ohio 43015

[**] Term: 14 Years

[21] Appl. No.: 62,311

[22] Filed: Nov. 13, 1996

[51] LOC (6) Cl. 10-04

[52] U.S. Cl. D10/59

[58] Field of Search D10/59; 73/170.05, 73/170.06, 170.07

[56] References Cited

U.S. PATENT DOCUMENTS

D. 275,085 8/1984 Mauro D10/59

Primary Examiner—Antoine Duval Davis
Attorney, Agent, or Firm—Standley & Gilcrest

[57] CLAIM

The ornamental design for a weathervane support, as shown and described.

DESCRIPTION

FIG. 1 is a perspective view of the weathervane support of the present invention;

FIG. 2 is a side view of the weathervane support of FIG. 1; FIG. 3 is a top plan view of the weathervane support of FIG. 1;

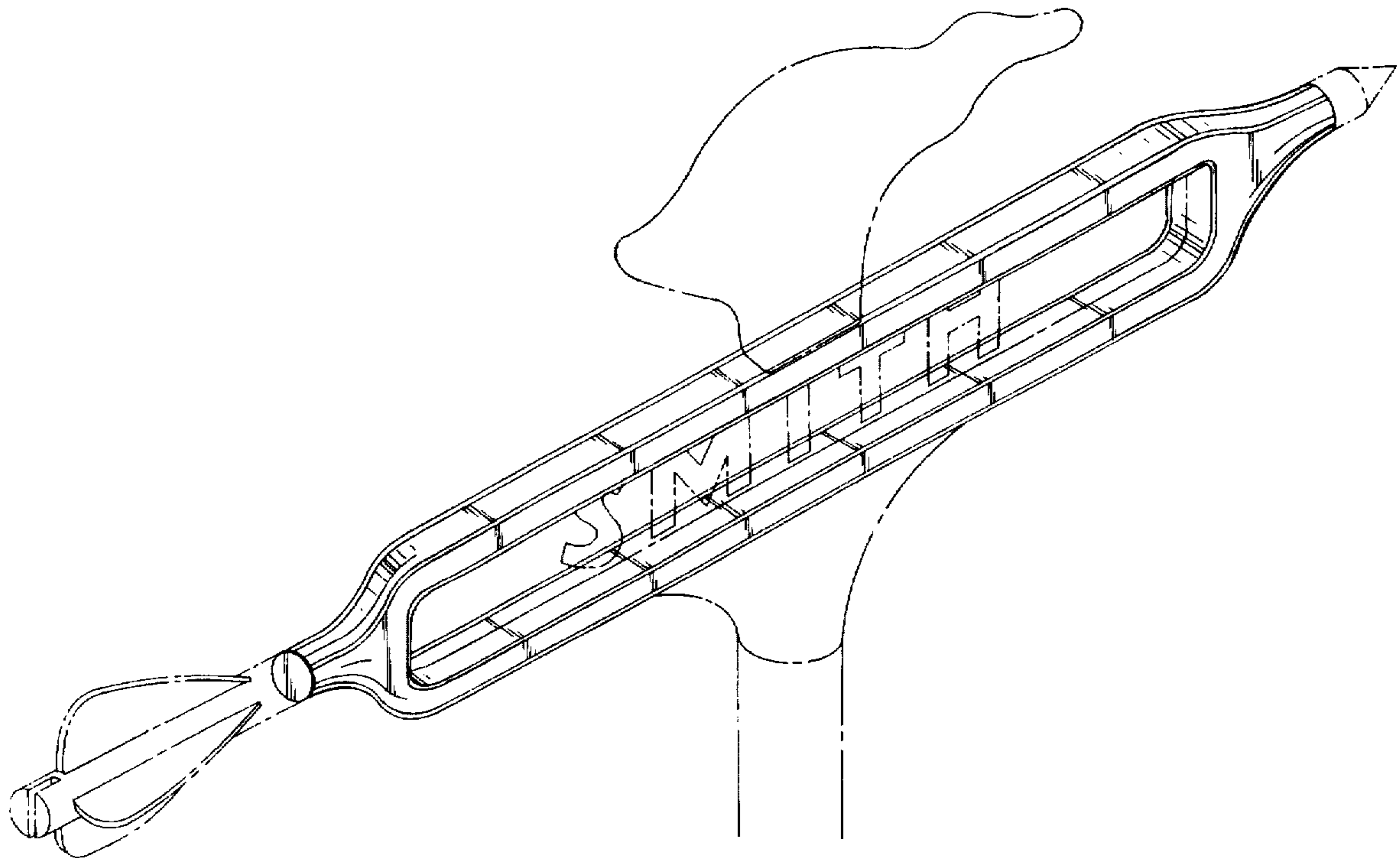
FIG. 4 is a bottom view of the weathervane support of FIG. 1;

FIG. 5 is a front end view of the weathervane support of FIG. 1; and,

FIG. 6 is a back end view of the weathervane support of FIG. 1.

The broken line showing is for illustrative purposes only and forms no part of the claimed design.

1 Claim, 2 Drawing Sheets



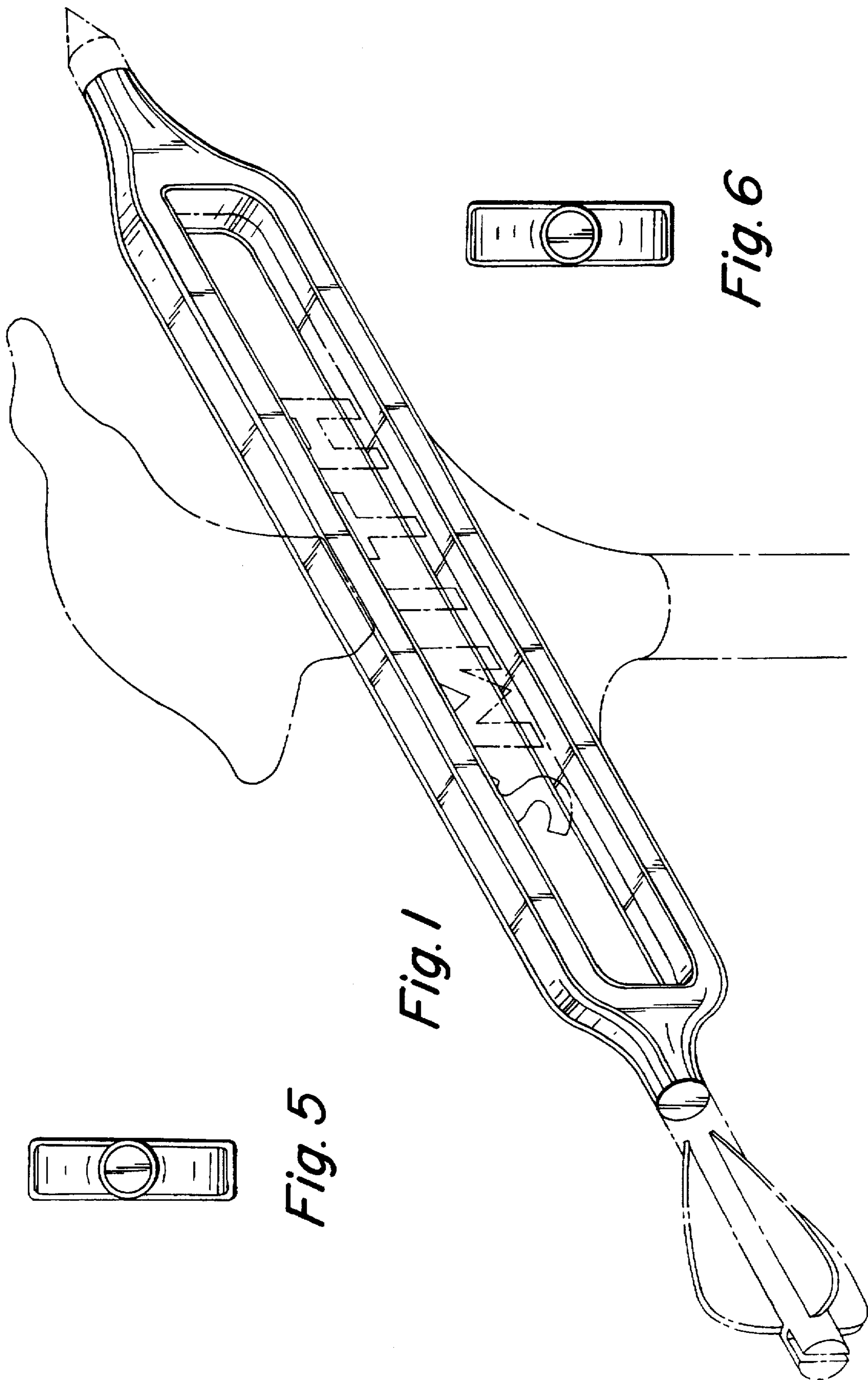


Fig. 5

Fig. 1

Fig. 6

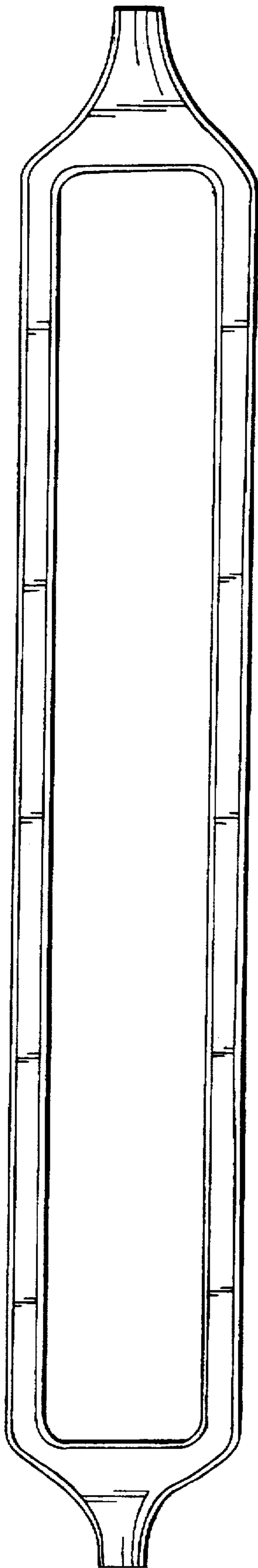


Fig. 2

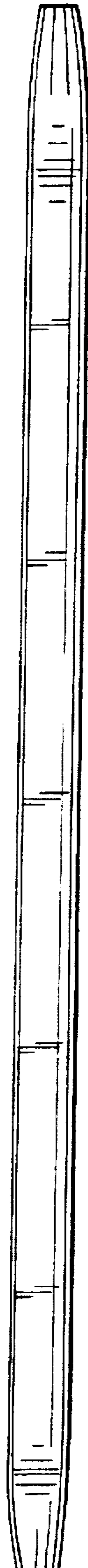


Fig. 3

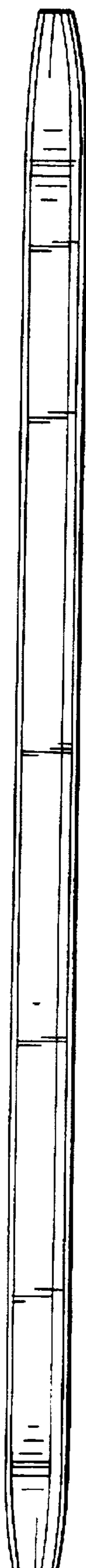


Fig. 4