



US00D391874S

United States Patent [19] Gering

[11] Patent Number: **Des. 391,874**

[45] Date of Patent: ****Mar. 10, 1998**

[54] **WALL THERMOMETER SHAPED AS AN ORGAN PIPE**

[75] Inventor: **Klaus Gering**, Manebach, Germany

[73] Assignee: **Dr. Friedrichs Gruppe Produktions-u. Vertriebs GmbH**, Wertheim, Germany

[**] Term: **14 Years**

[21] Appl. No.: **62,193**

[22] Filed: **Nov. 8, 1996**

[51] LOC (6) Cl. **10-04**

[52] U.S. Cl. **D10/57**

[58] Field of Search D10/57, 58; 374/141, 374/208; 446/295, 296

[56] **References Cited**

U.S. PATENT DOCUMENTS

- D. 169,894 6/1953 Burrows D10/57 X
- D. 176,020 11/1955 Ising D10/57 X

- D. 309,579 7/1990 Cross D10/58
- D. 348,617 7/1994 Riley D10/57
- D. 360,432 7/1995 Arsenault D10/58 X
- D. 377,610 1/1997 Liang D10/58

Primary Examiner—Antoine Duval Davis
Attorney, Agent, or Firm—Dilworth & Barrese

[57] **CLAIM**

The ornamental design for a wall thermometer shaped as an organ pipe, as shown and described.

DESCRIPTION

FIG. 1 is a perspective view of a wall thermometer shaped as an organ pipe and showing my new design;
FIG. 2 is a front elevational view thereof;
FIG. 3 is a top plan view thereof in the direction of arrows 3—3 in FIG. 2;
FIG. 4 is a left side elevational view thereof; and,
FIG. 5 is a bottom plan view thereof in the direction of arrows 5—5 in FIG. 4.

1 Claim, 3 Drawing Sheets

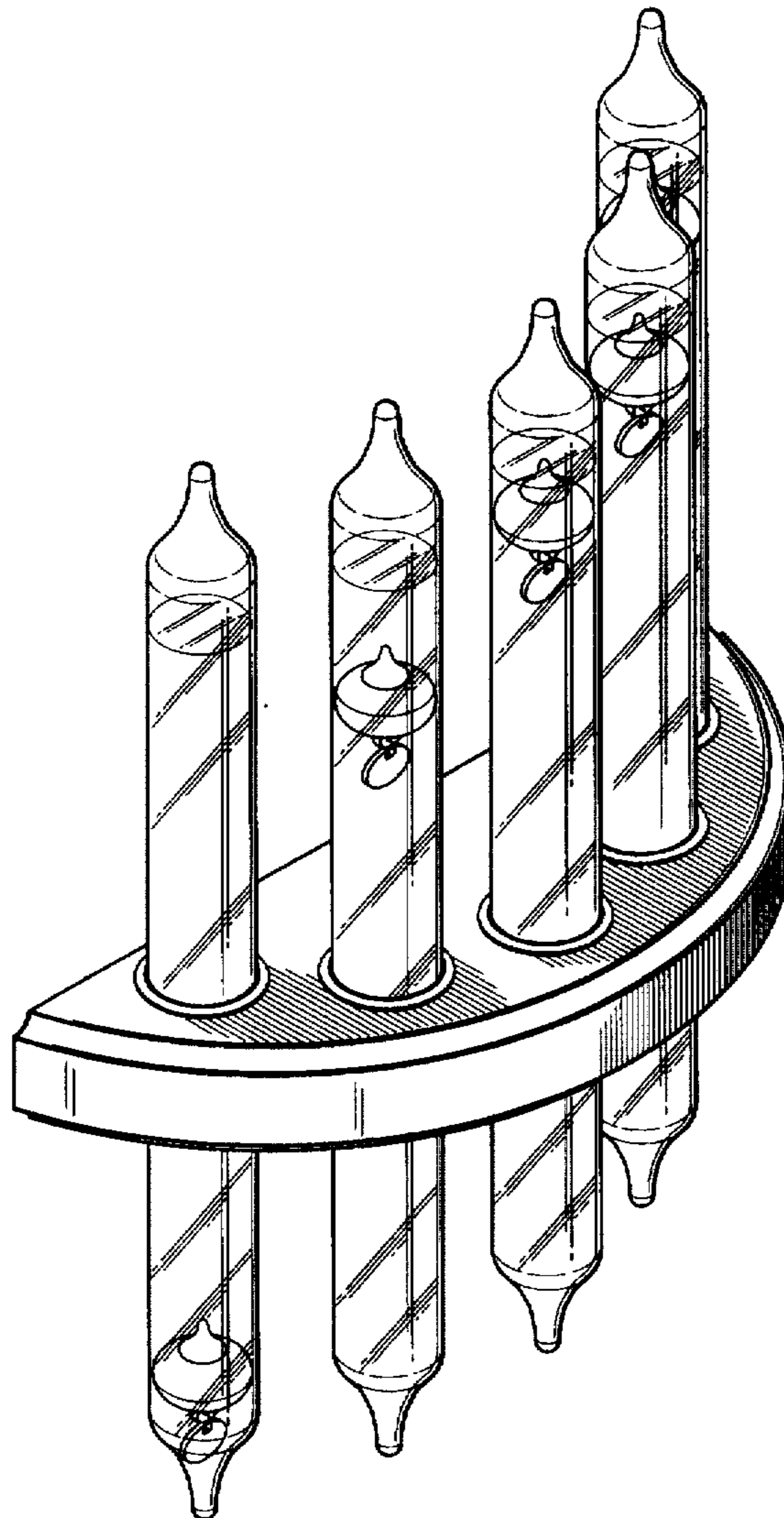
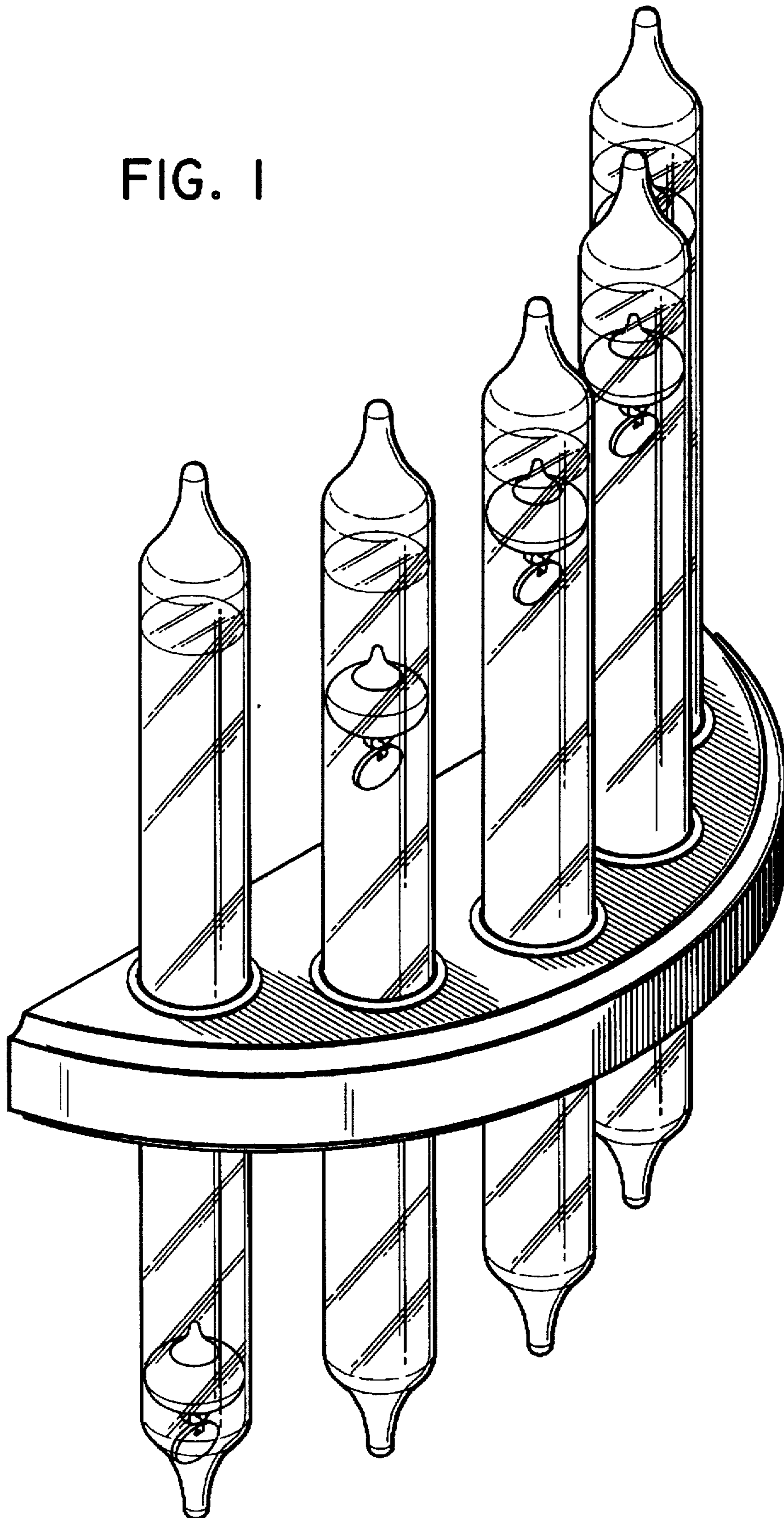


FIG. 1



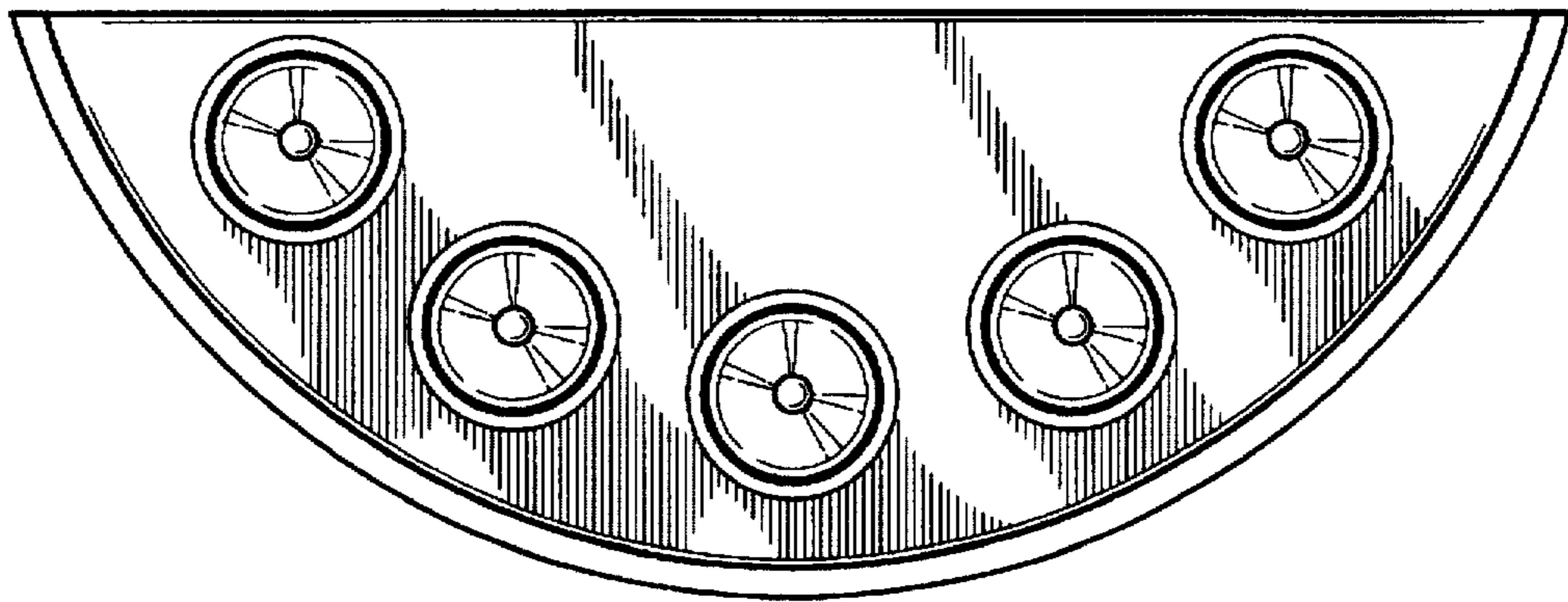


FIG. 3

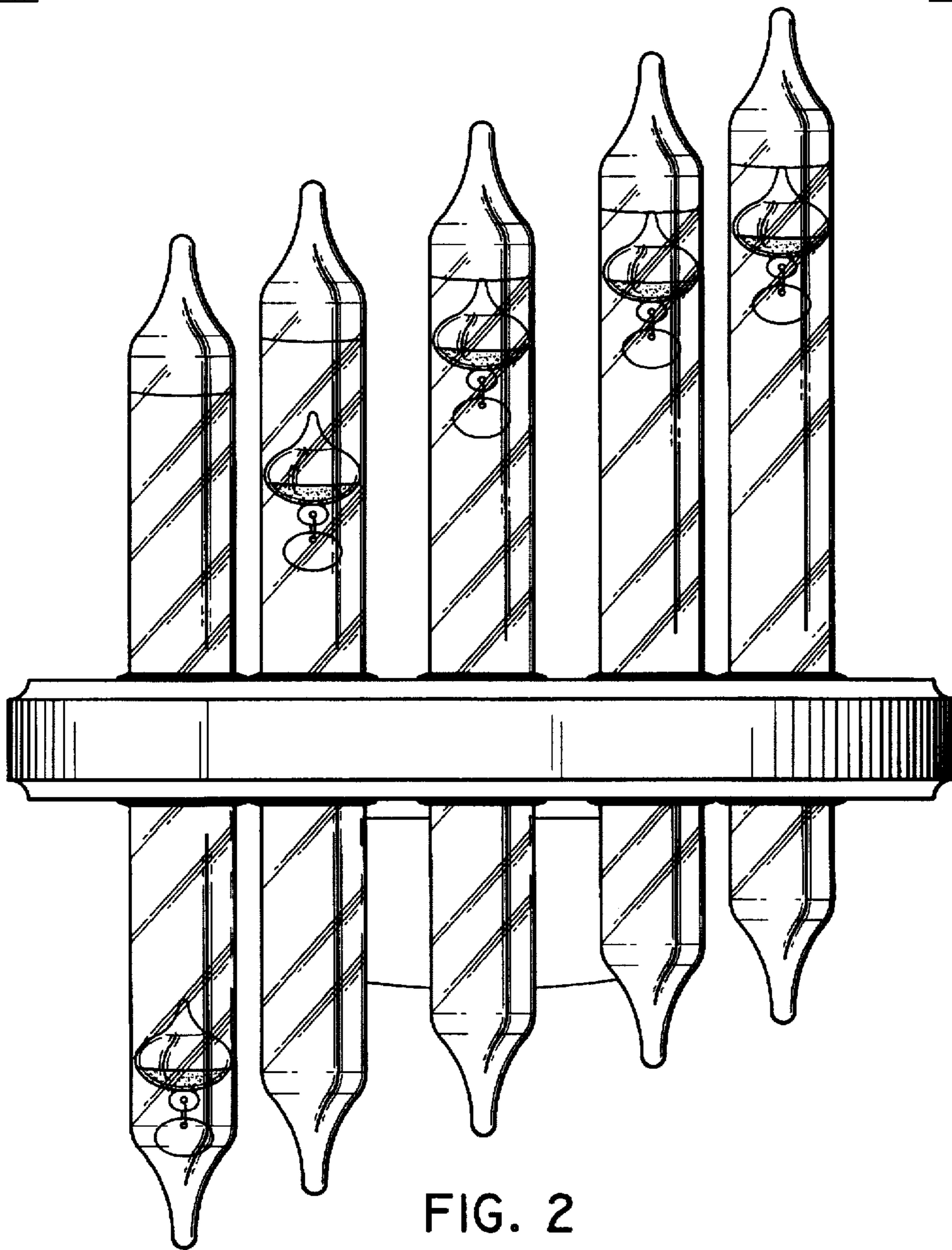
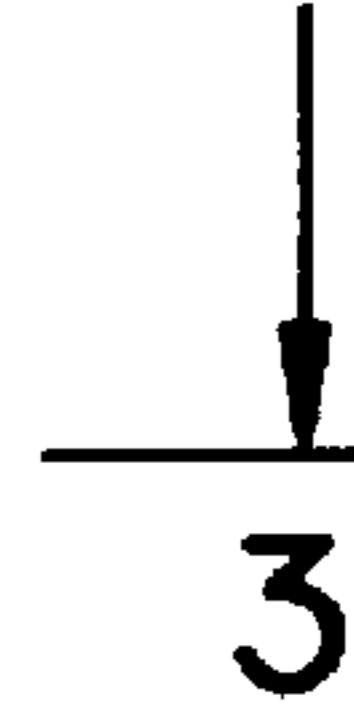
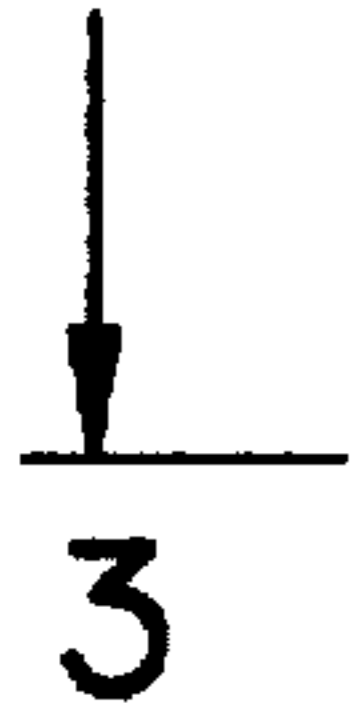
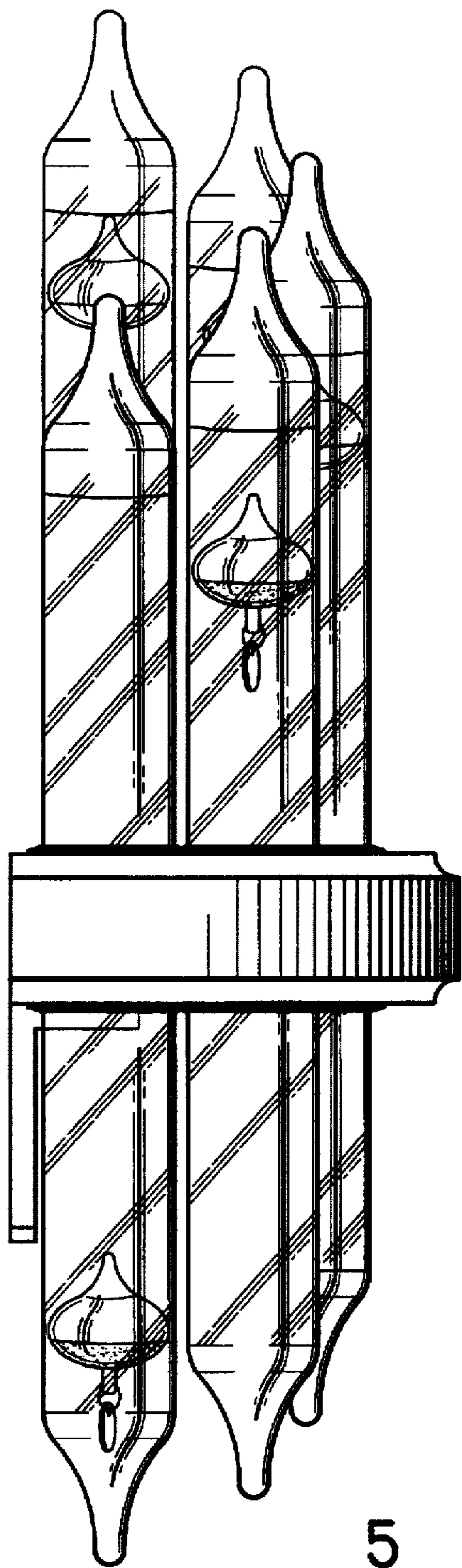


FIG. 2



5
↑

5
↑

FIG. 4

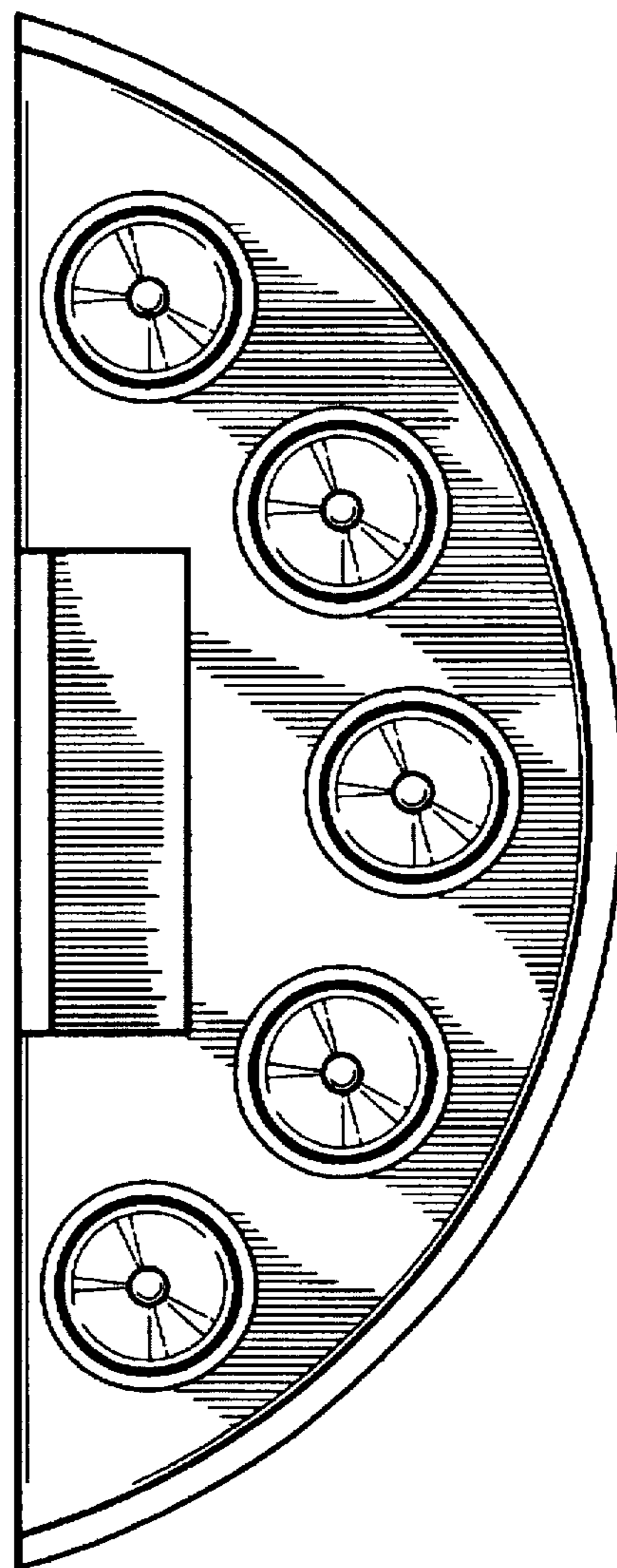


FIG. 5