



US00D391864S

United States Patent [19]

Wright et al.

[11] Patent Number: **Des. 391,864**

[45] Date of Patent: ****Mar. 10, 1998**

[54] **FINGER WATCH**

[76] Inventors: **Greg Wright; LaDeana Wright**, both of 4777 Pony Express Trail, Camino, Calif. 95709

[**] Term: **14 Years**

[21] Appl. No.: **71,817**

[22] Filed: **Apr. 4, 1997**

[51] **LOC (6) Cl.** **10-02**

[52] **U.S. Cl.** **D10/31; D11/32**

[58] **Field of Search** **D10/2, 31, 33, D10/35, 6, 8; D11/30, 32, 56; 368/10, 285**

[56] **References Cited**

U.S. PATENT DOCUMENTS

D. 262,527	1/1982	Goldberg	D11/2
D. 266,312	9/1982	Lin	D10/31
D. 267,312	12/1982	Funk	D10/31
D. 267,859	2/1983	Kabaya	D10/31
D. 296,533	7/1988	Colvin	D11/2

Primary Examiner—Nelson C. Holtje
Attorney, Agent, or Firm—John D. Gugliotta

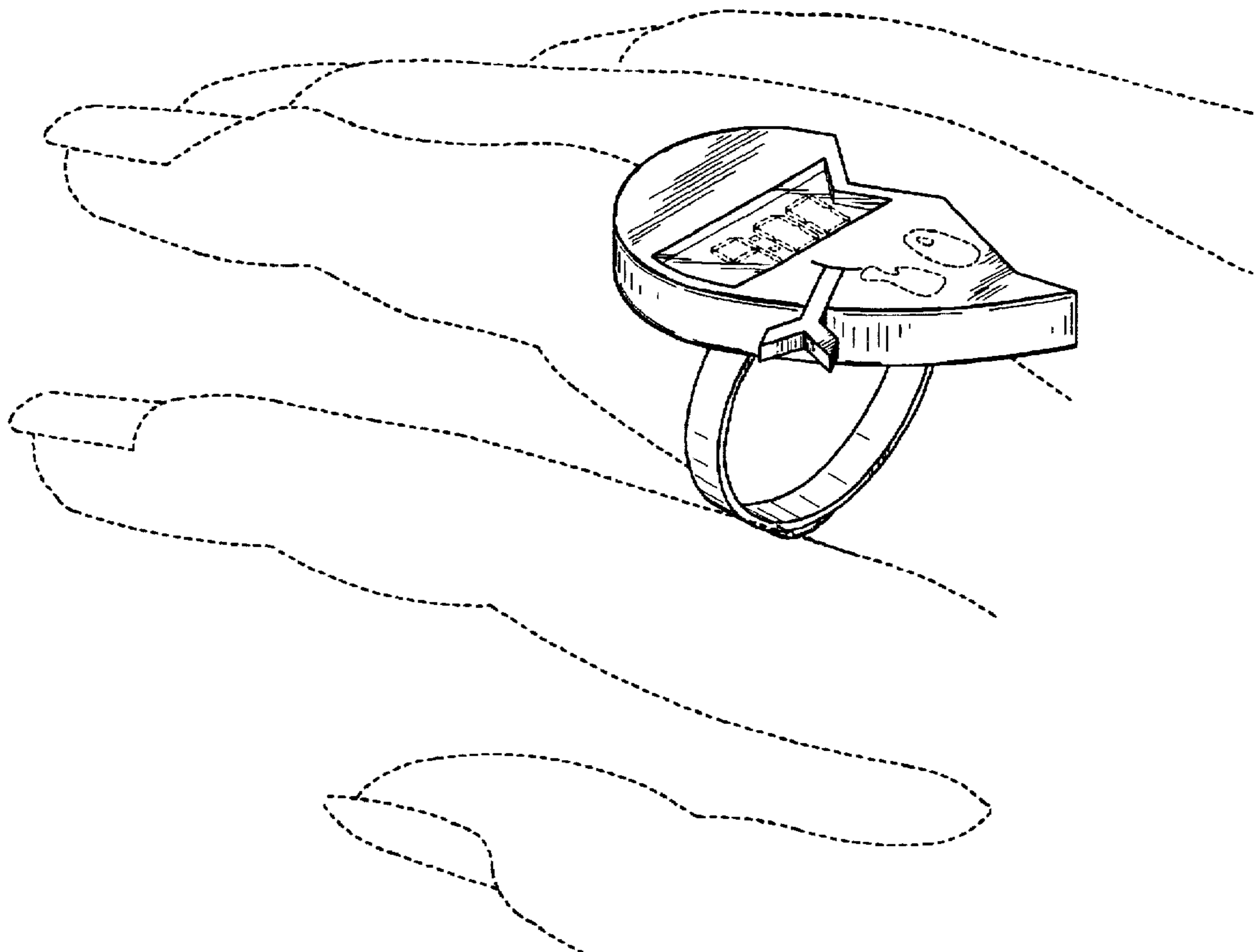
[57] **CLAIM**

The ornamental design for a finger watch, as shown and described.

DESCRIPTION

FIG. 1 is a perspective view of a finger watch showing my new design;
 FIG. 2 is a top plan view thereof;
 FIG. 3 is a bottom plan view thereof;
 FIG. 4 is a front elevational view thereof;
 FIG. 5 is a rear elevational view thereof;
 FIG. 6 is a left side elevational view thereof;
 FIG. 7 is a right side elevational view thereof;
 FIG. 8 a perspective view of a finger watch showing my first alternate design;
 FIG. 9 is a top plan view of the first alternate design depicted in FIG. 8;
 FIG. 10 is a bottom plan view of the first alternate design depicted in FIG. 8;
 FIG. 11 is a front elevational view of the first alternate design depicted in FIG. 8;
 FIG. 12 is a rear elevational view of the first alternate design depicted in FIG. 8;
 FIG. 13 is a left side elevational view of the first alternate design depicted in FIG. 8; and,
 FIG. 14 is a right side elevational view of the first alternate design depicted in FIG. 8.
 The broken-line showings of a hand in FIGS. 1 and 8 are environmental only and form no part of the claimed design.

1 Claim, 2 Drawing Sheets



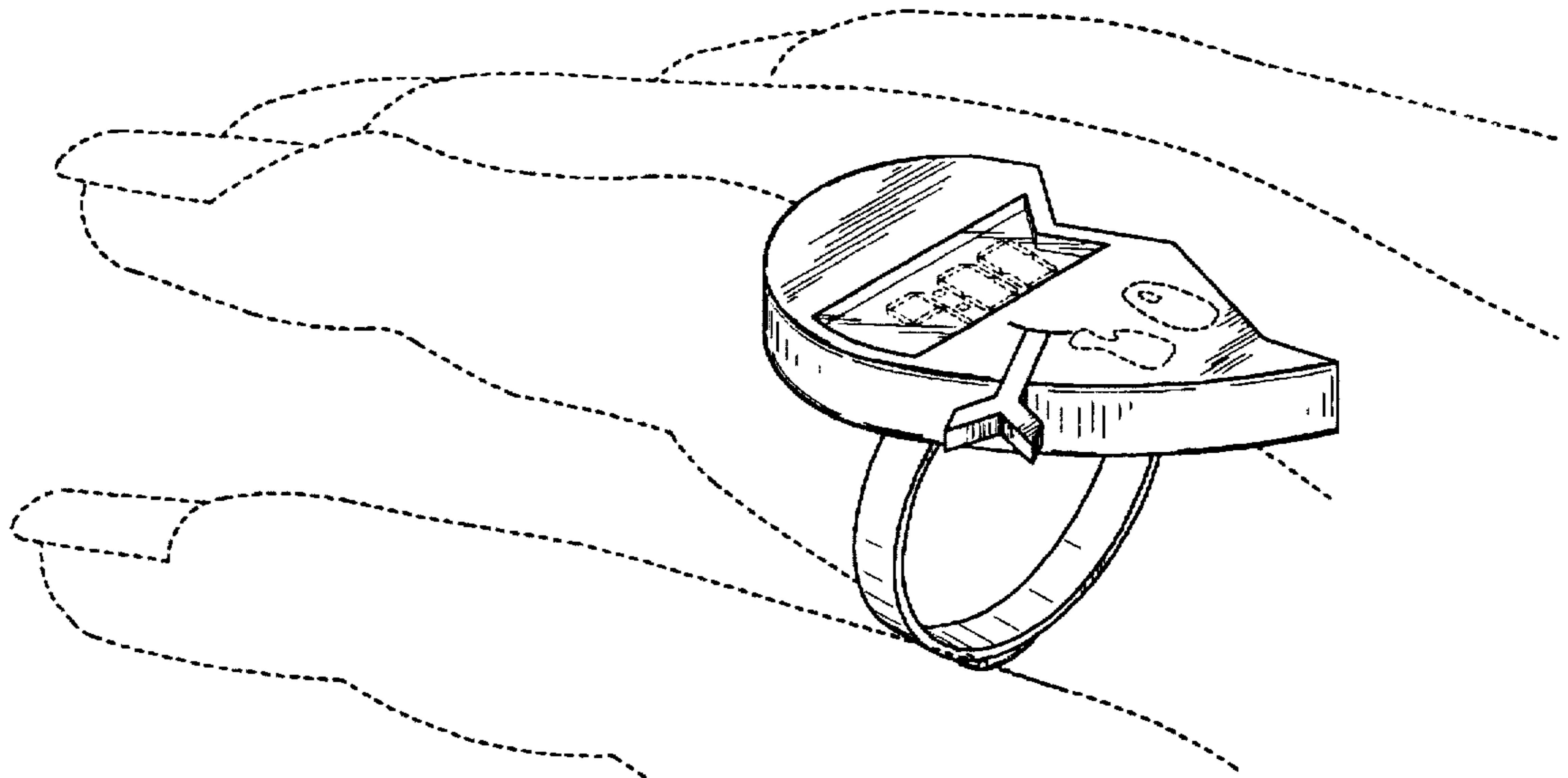


Fig.1

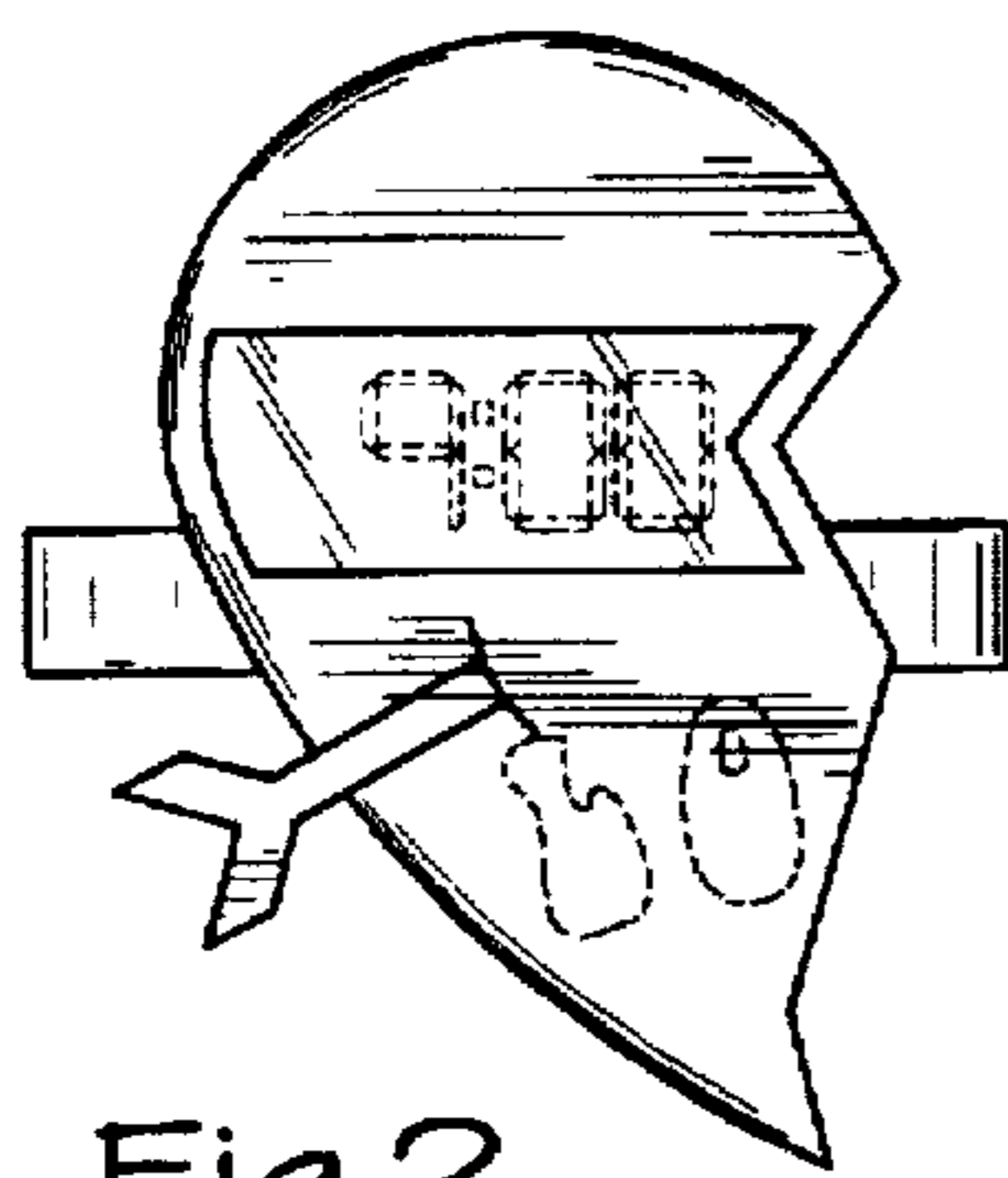
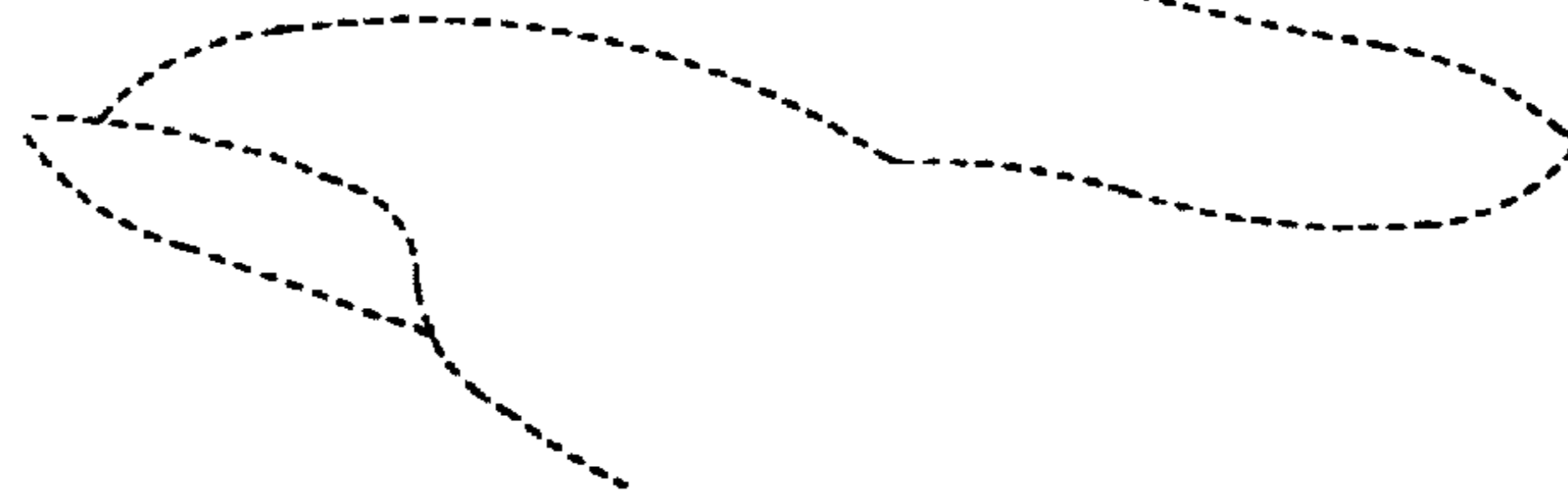


Fig.2

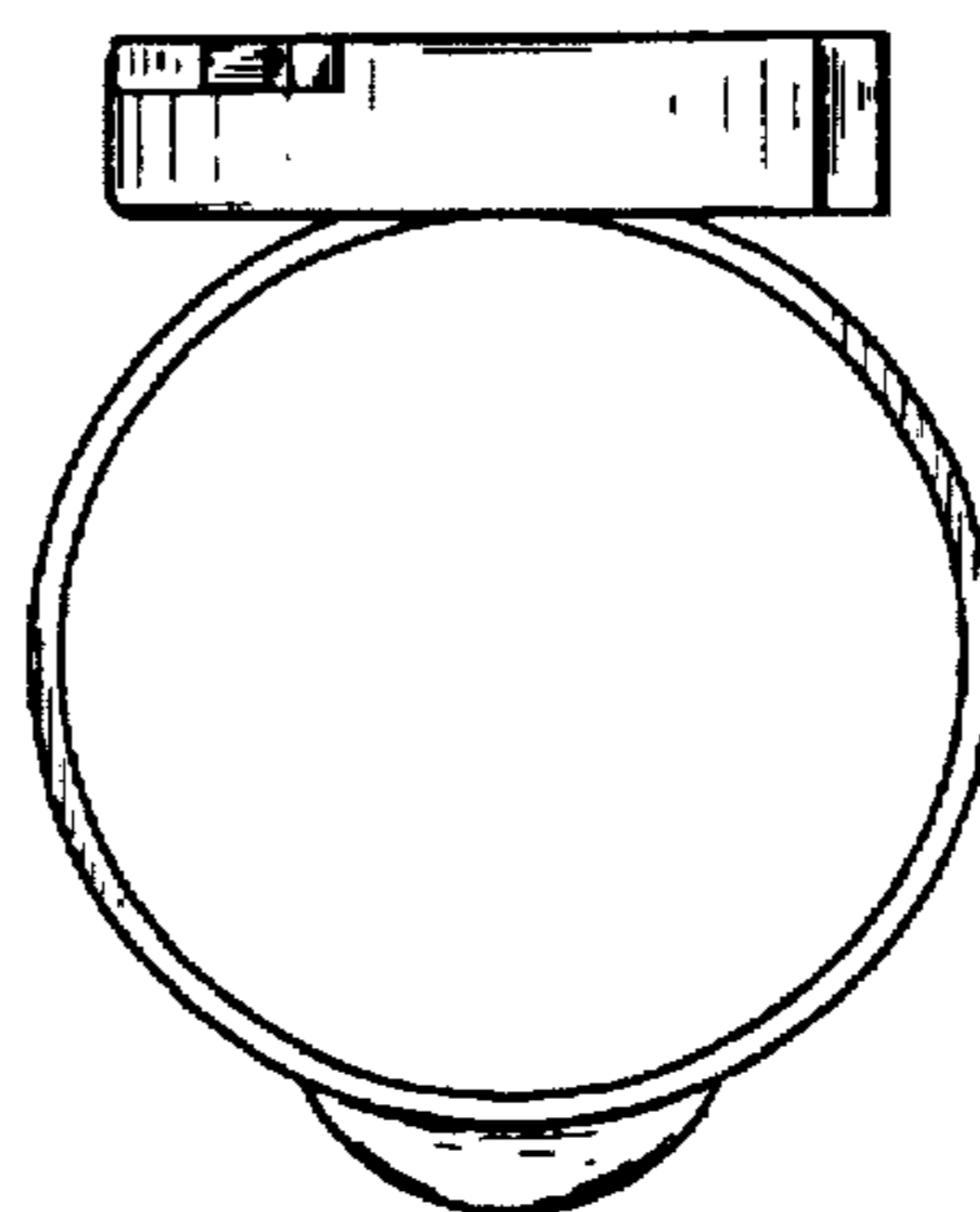


Fig.4

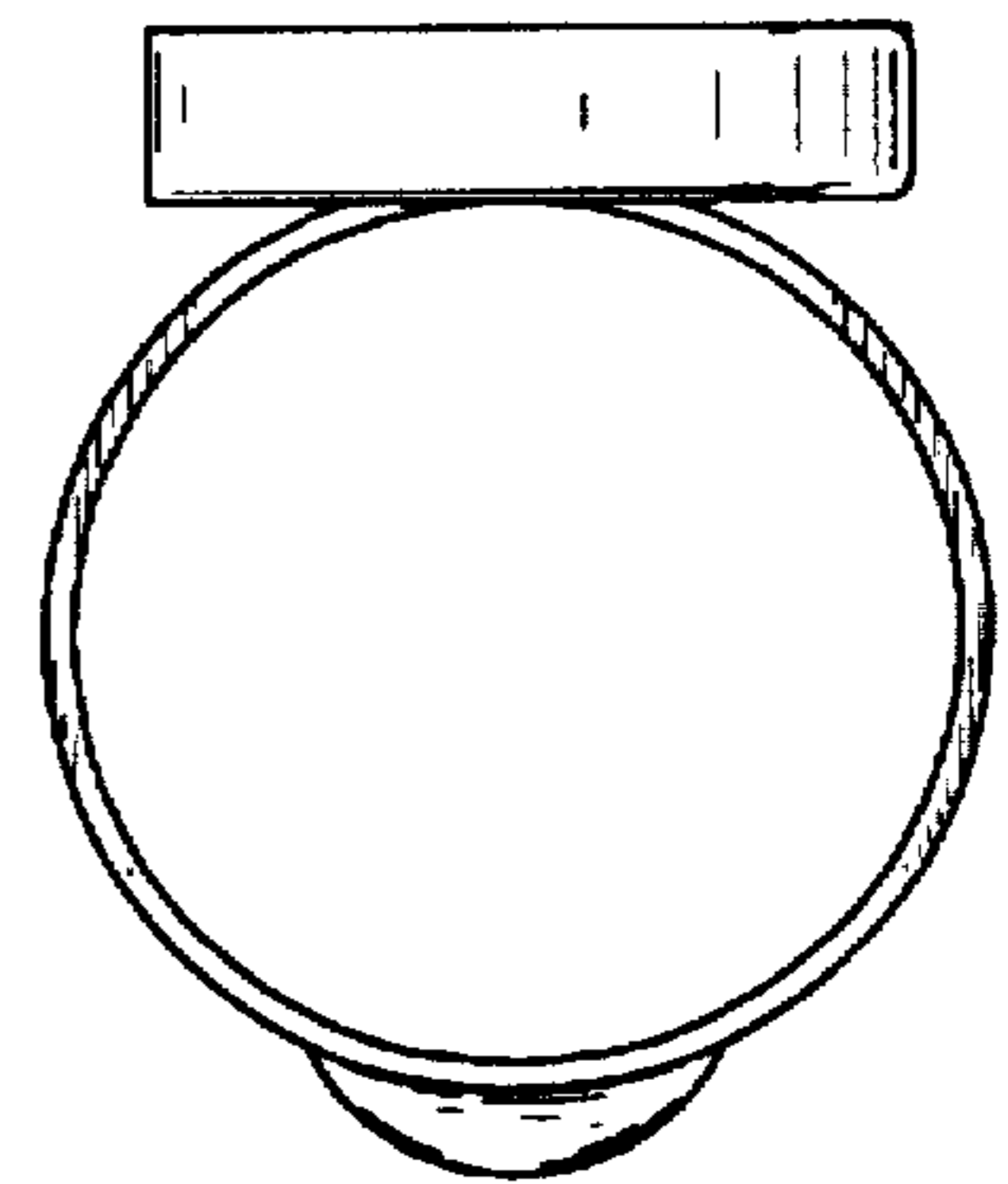


Fig.5

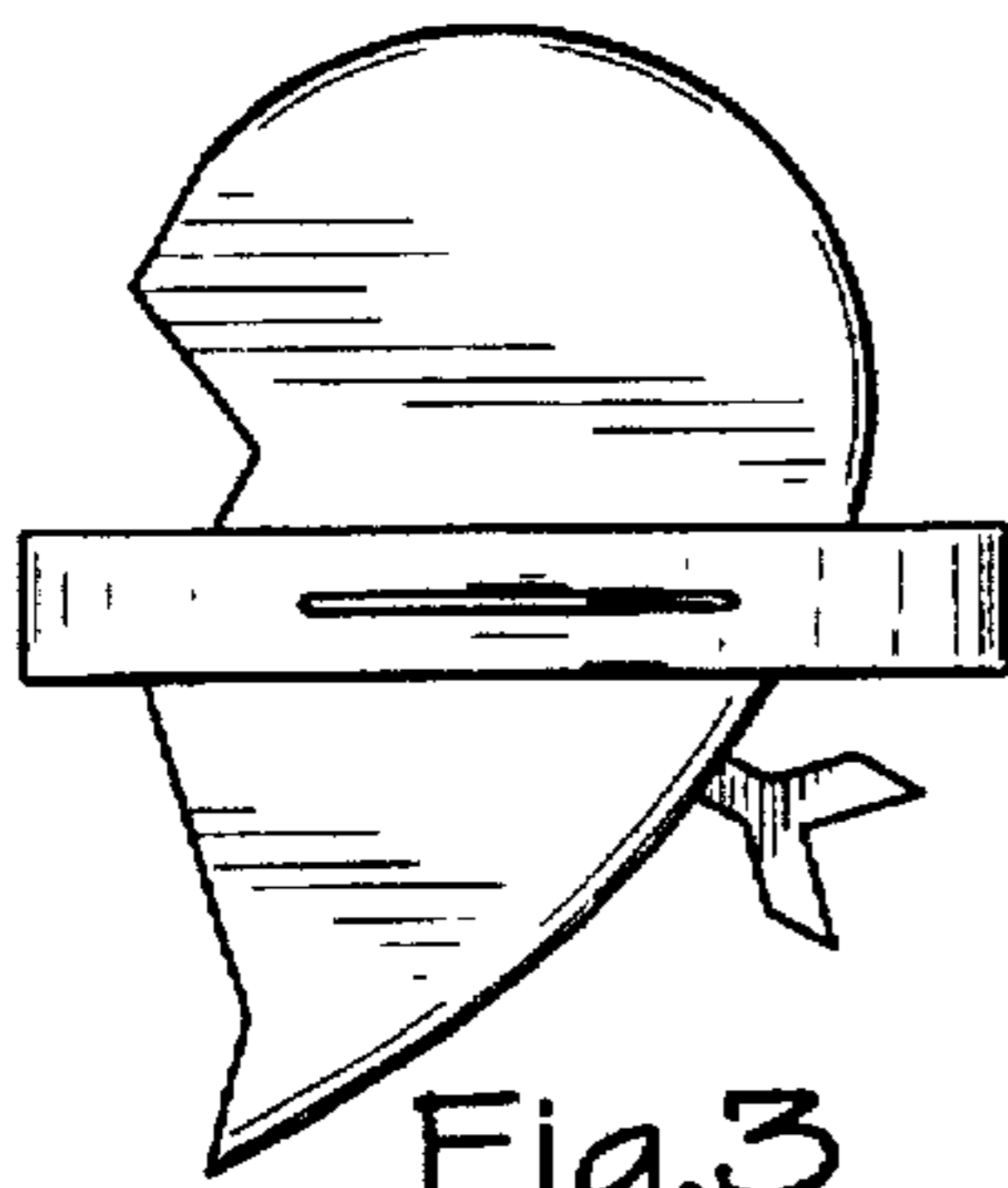


Fig.3

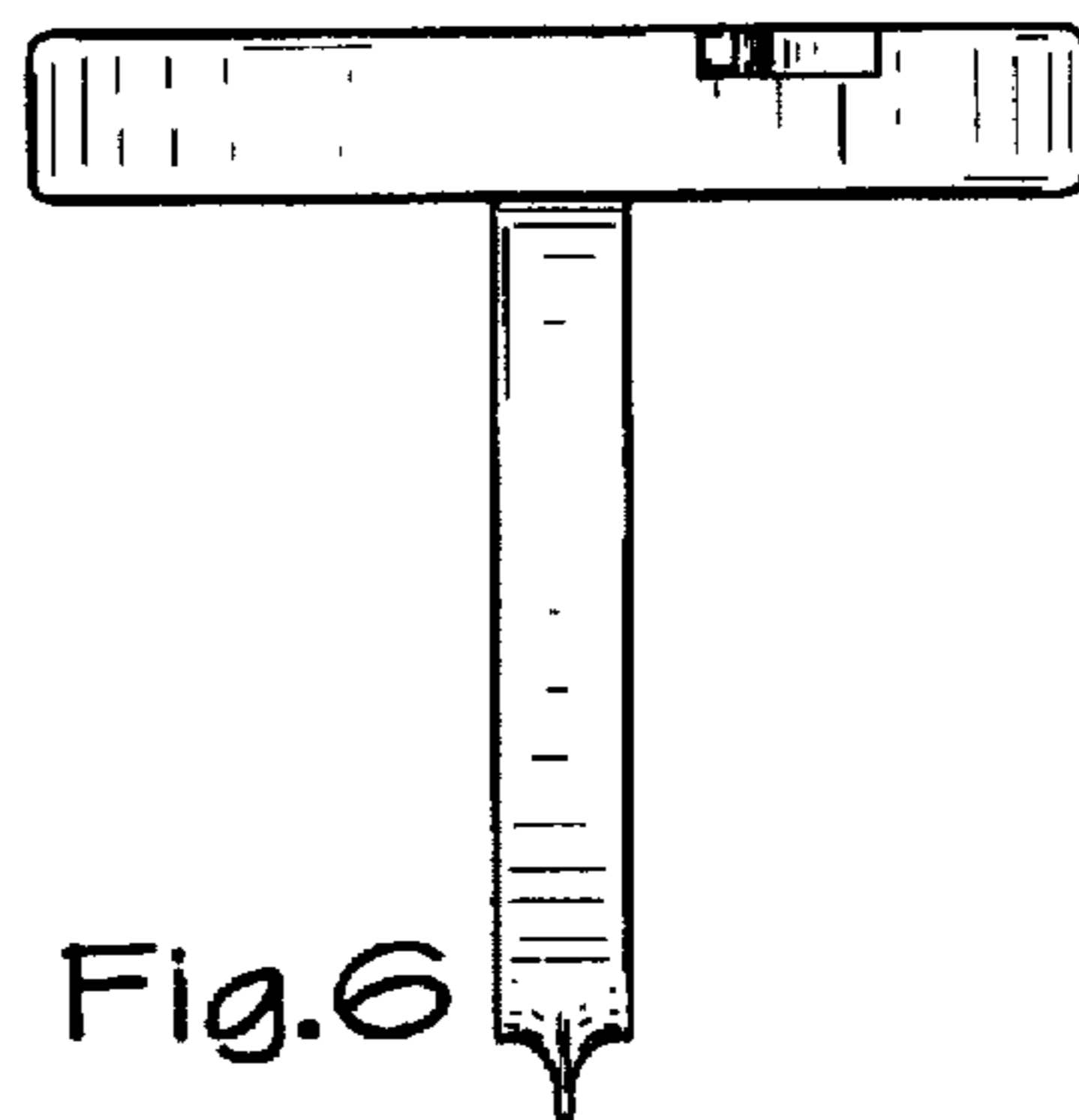


Fig.6

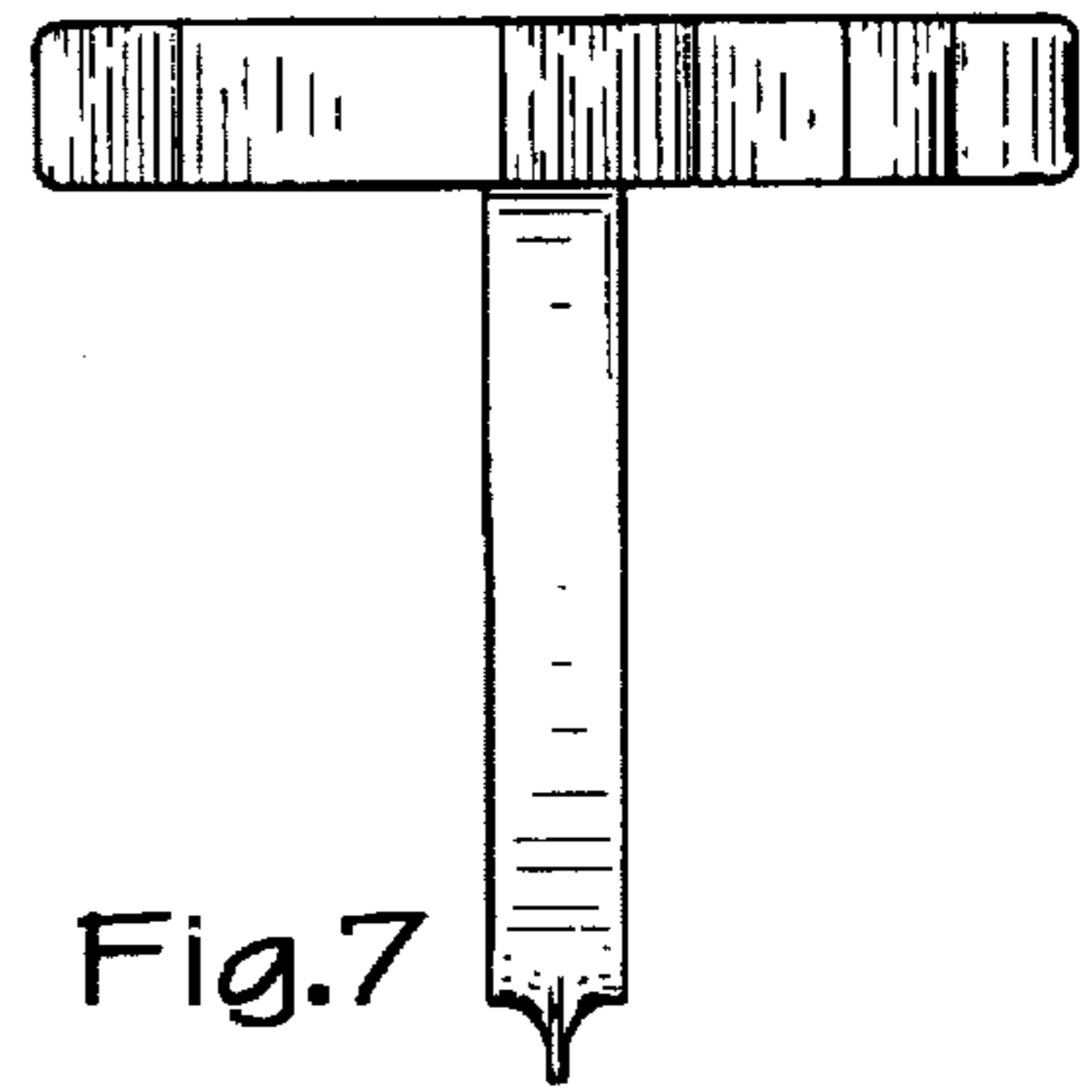


Fig.7

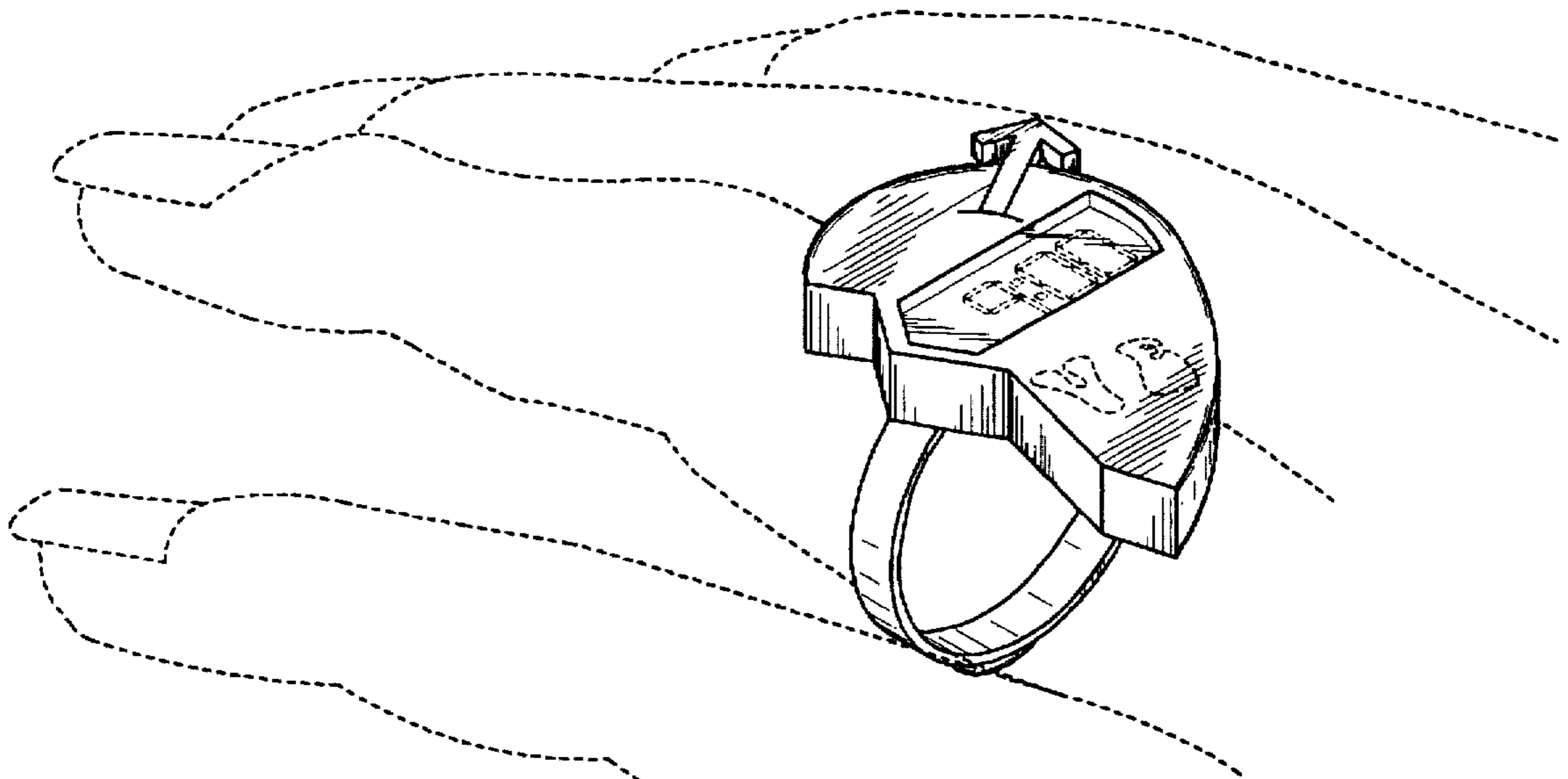


Fig. 8

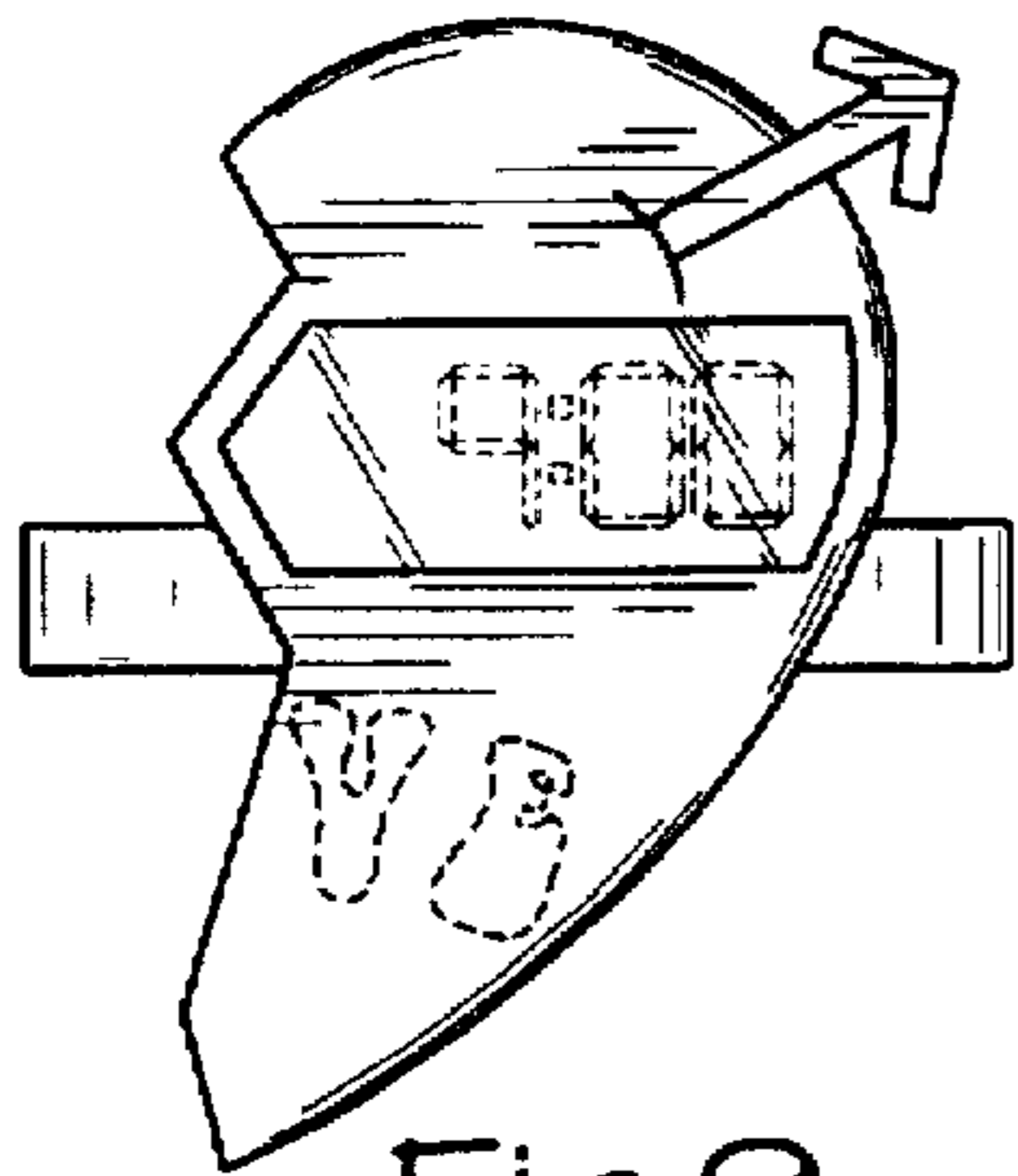


Fig. 9

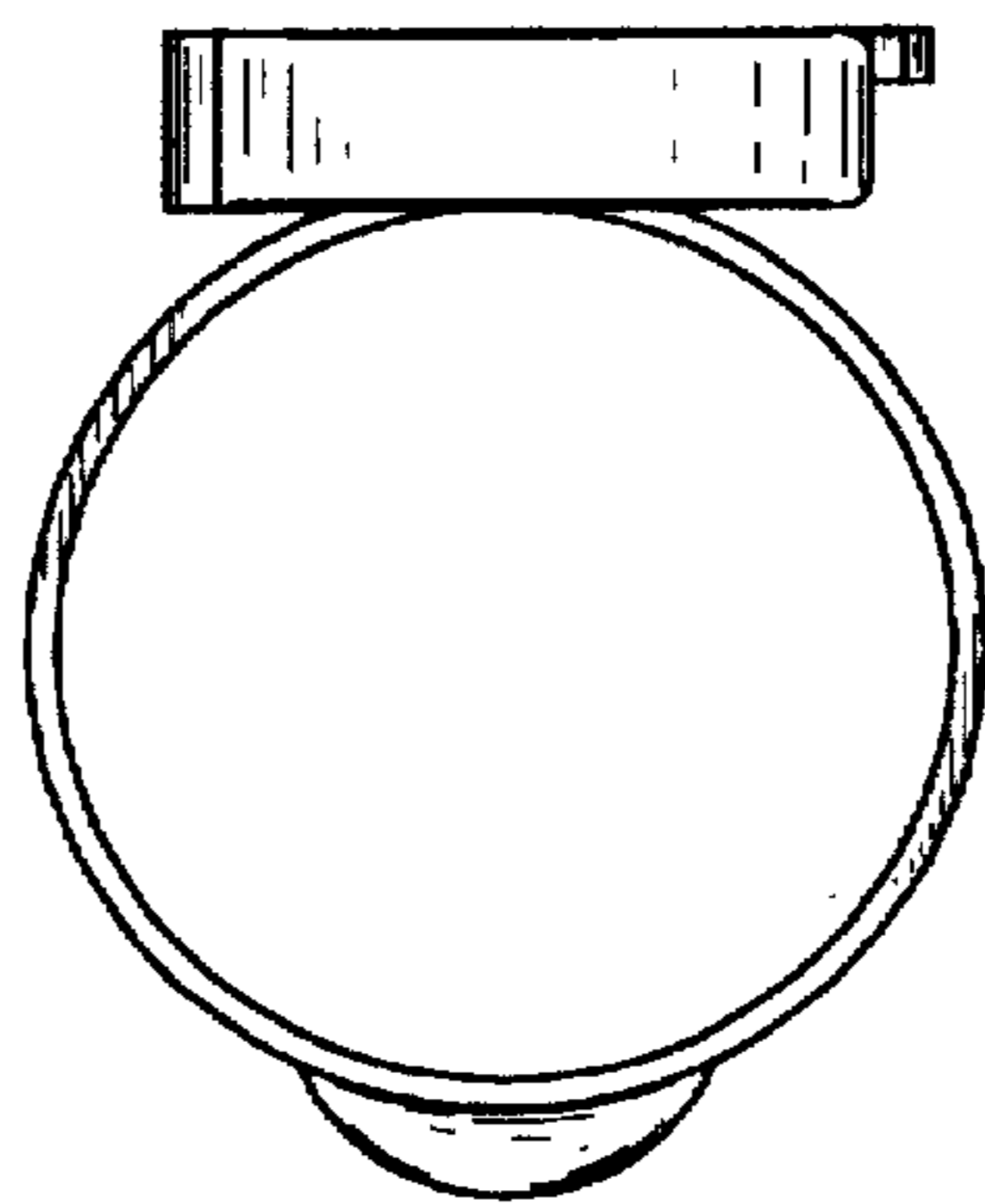


Fig. 11

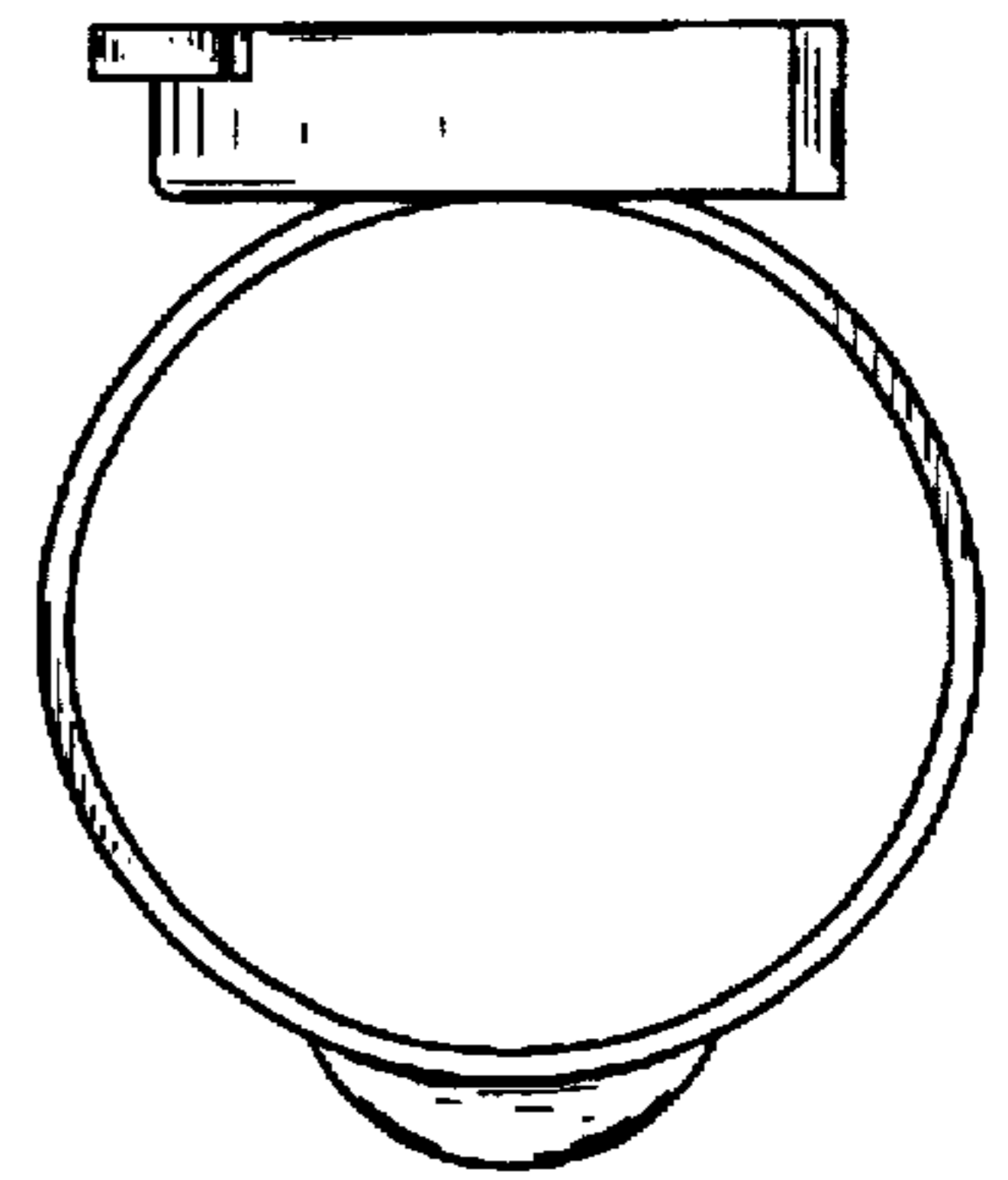


Fig. 12

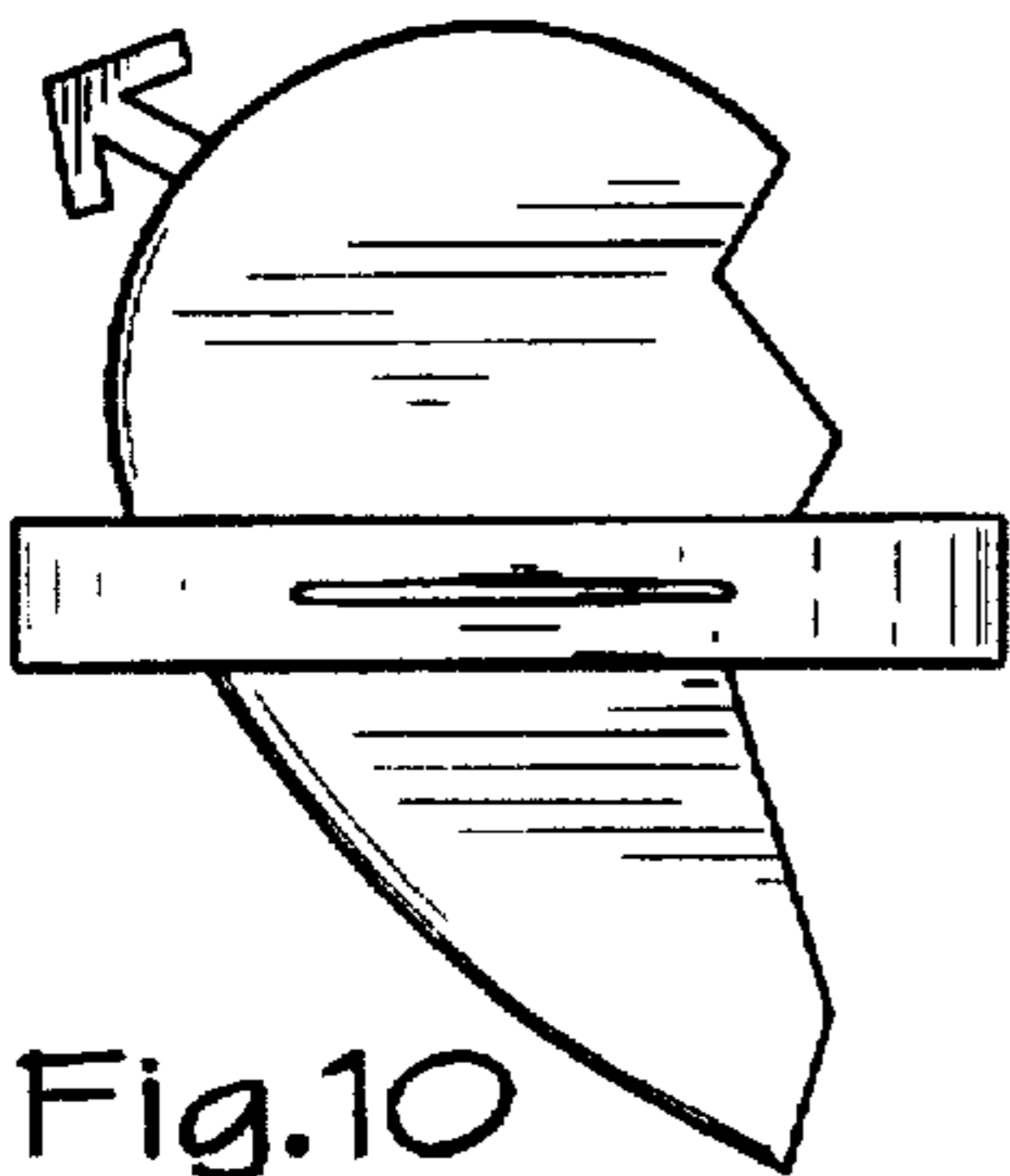


Fig. 10

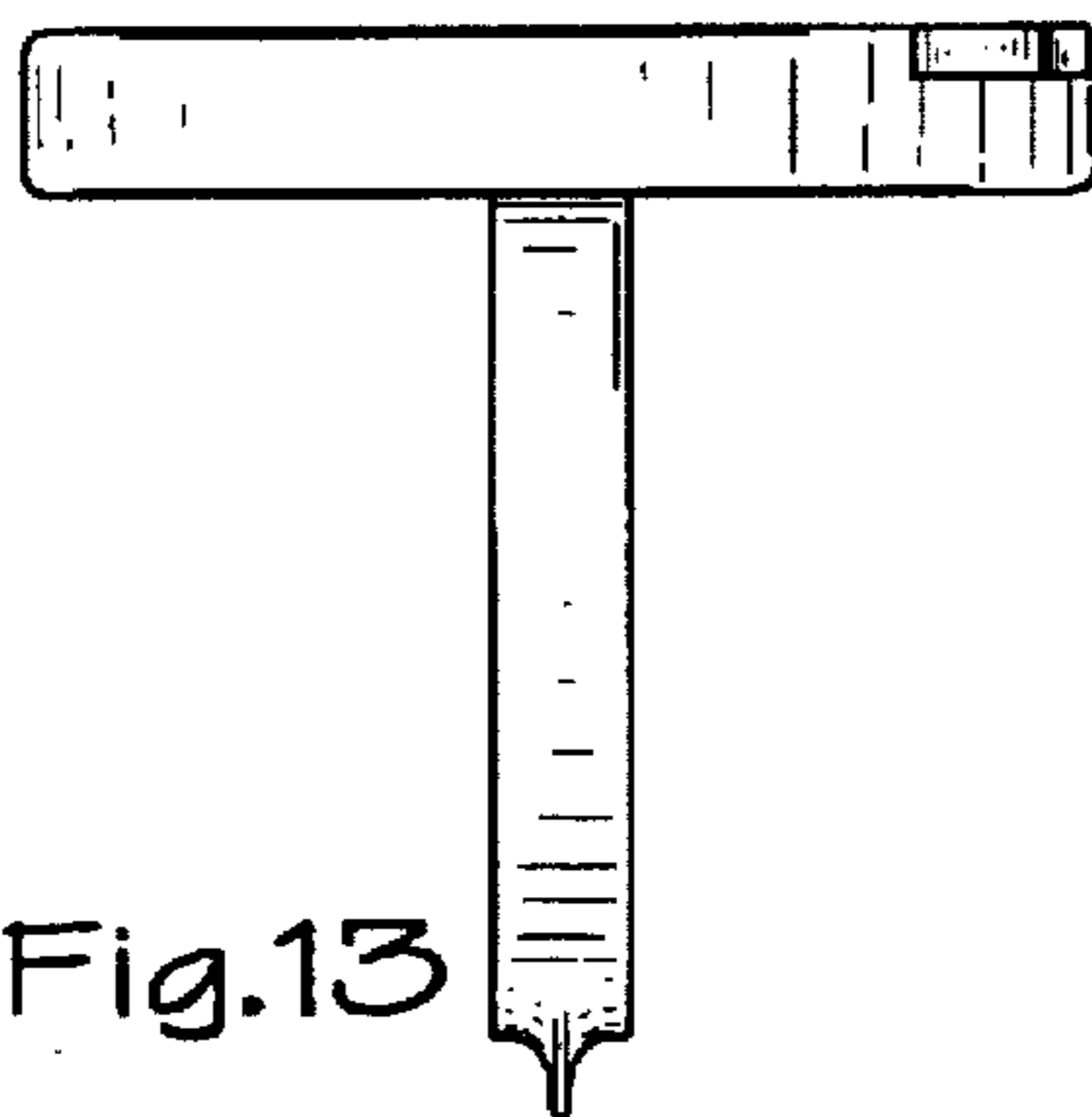


Fig. 13

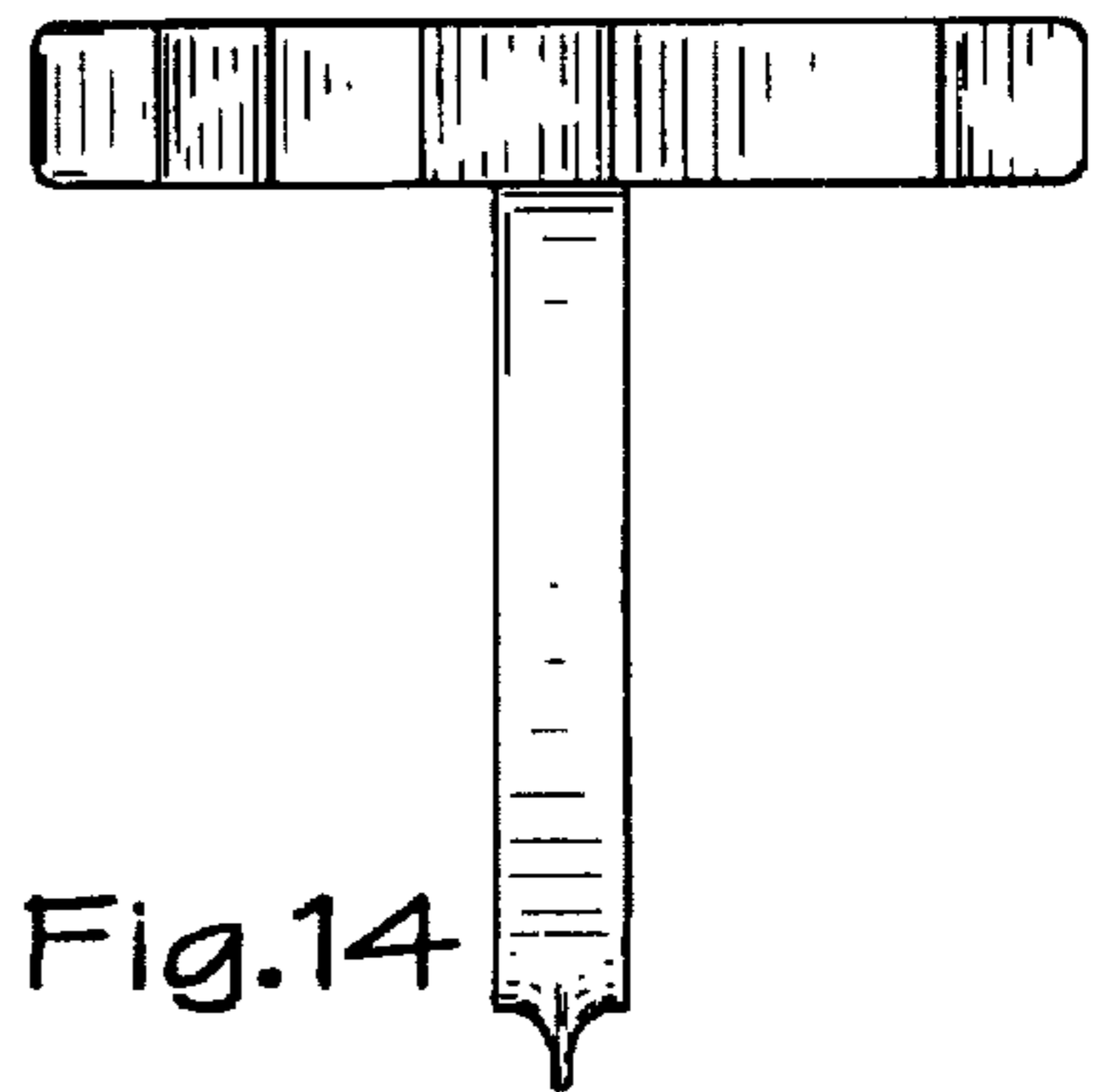


Fig. 14