



US00D391860S

**United States Patent** [19]  
**Kubo**

[11] **Patent Number: Des. 391,860**

[45] **Date of Patent: \*\*Mar. 10, 1998**

[54] **WATCH CASE**

D. 314,709 2/1991 Braun ..... D10/30  
D. 369,752 5/1996 Houlihan ..... D10/38  
D. 370,639 6/1996 Morishima ..... D10/38

[75] **Inventor: Tatsuya Kubo, Iruma, Japan**

[73] **Assignee: Casio Computer Co., Ltd., Tokyo, Japan**

*Primary Examiner*—Nelson C. Holtje  
*Attorney, Agent, or Firm*—Frishauf, Holtz, Goodman, Langer & Chick

[\*\*] **Term: 14 Years**

[57] **CLAIM**

[21] **Appl. No.: 67,559**

The ornamental design for a watch case, as shown.

[22] **Filed: Mar. 5, 1997**

**DESCRIPTION**

[51] **LOC (6) Cl. .... 10-02**

FIG. 1 is a front elevational view of a watch case showing my new design;

[52] **U.S. Cl. .... D10/30; D10/38**

FIG. 2 is a right side elevational view thereof;

[58] **Field of Search .... D10/1-40, 122-132;**

FIG. 3 is a left side elevational view thereof;

368/280-282, 276-277, 28-30, 285, 239-242,

FIG. 4 is a top plan view thereof;

82-84, 41-44

FIG. 5 is a bottom plan view thereof;

[56] **References Cited**

FIG. 6 is a rear elevational view thereof; and,

**U.S. PATENT DOCUMENTS**

FIG. 7 is a perspective view thereof.

D. 313,941 1/1991 Wakamatsu ..... D10/38

**1 Claim, 2 Drawing Sheets**

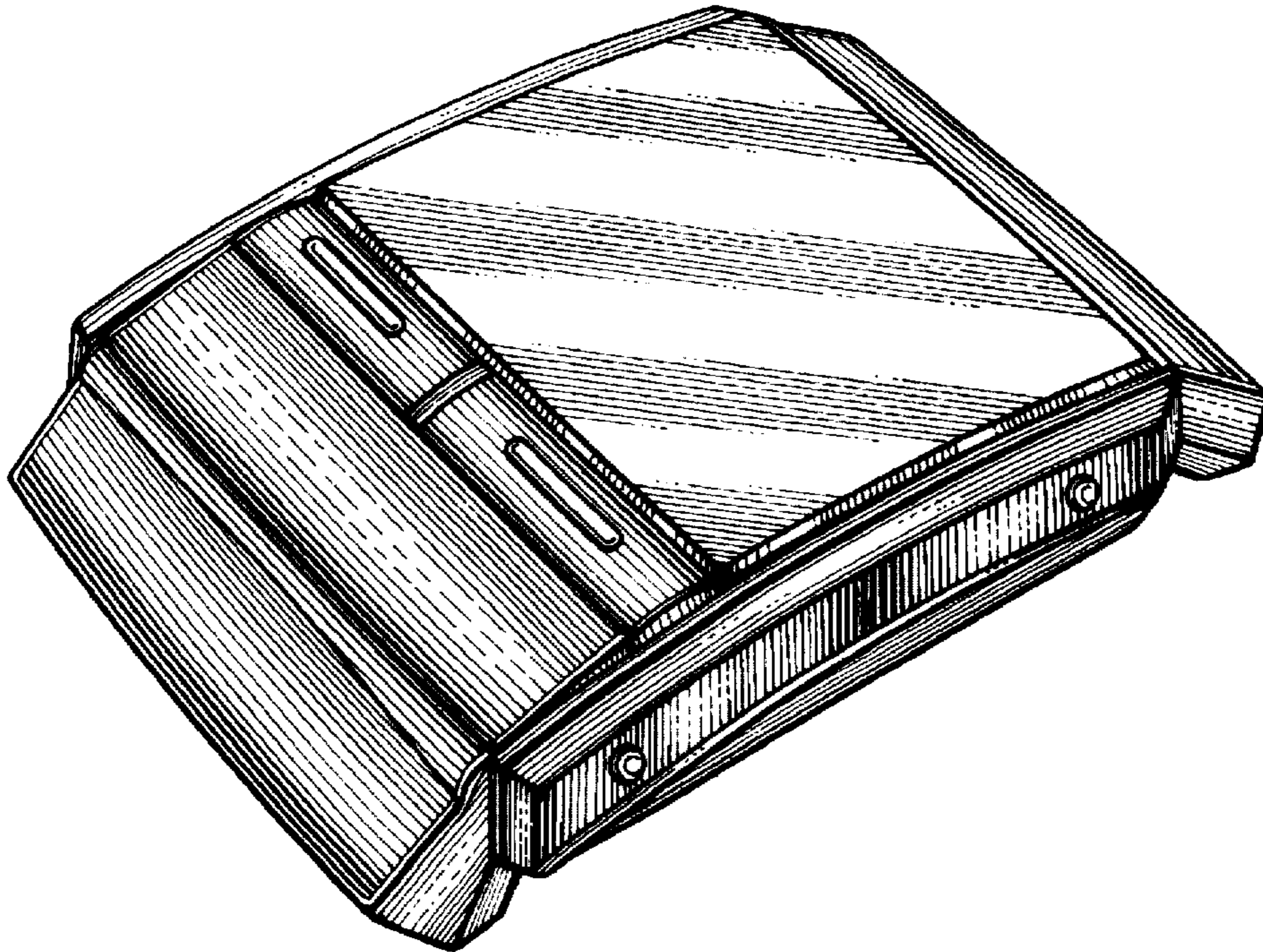


FIG. 4

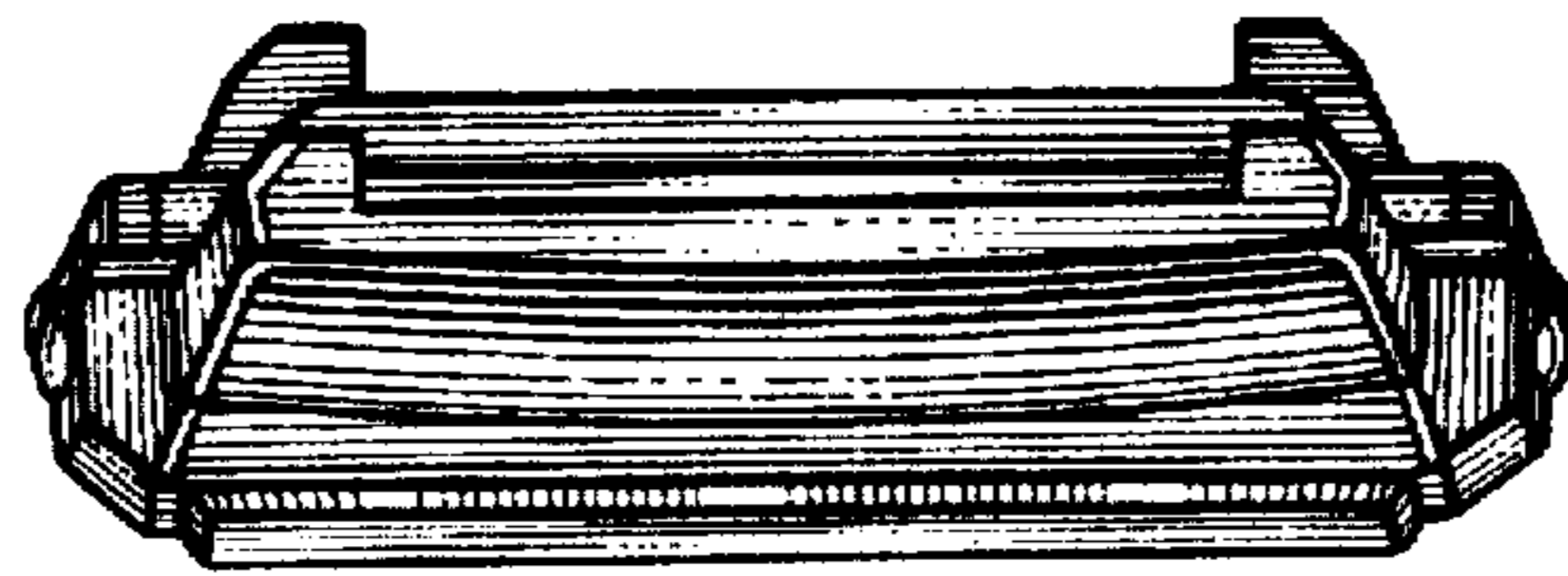


FIG. 3



FIG. 1

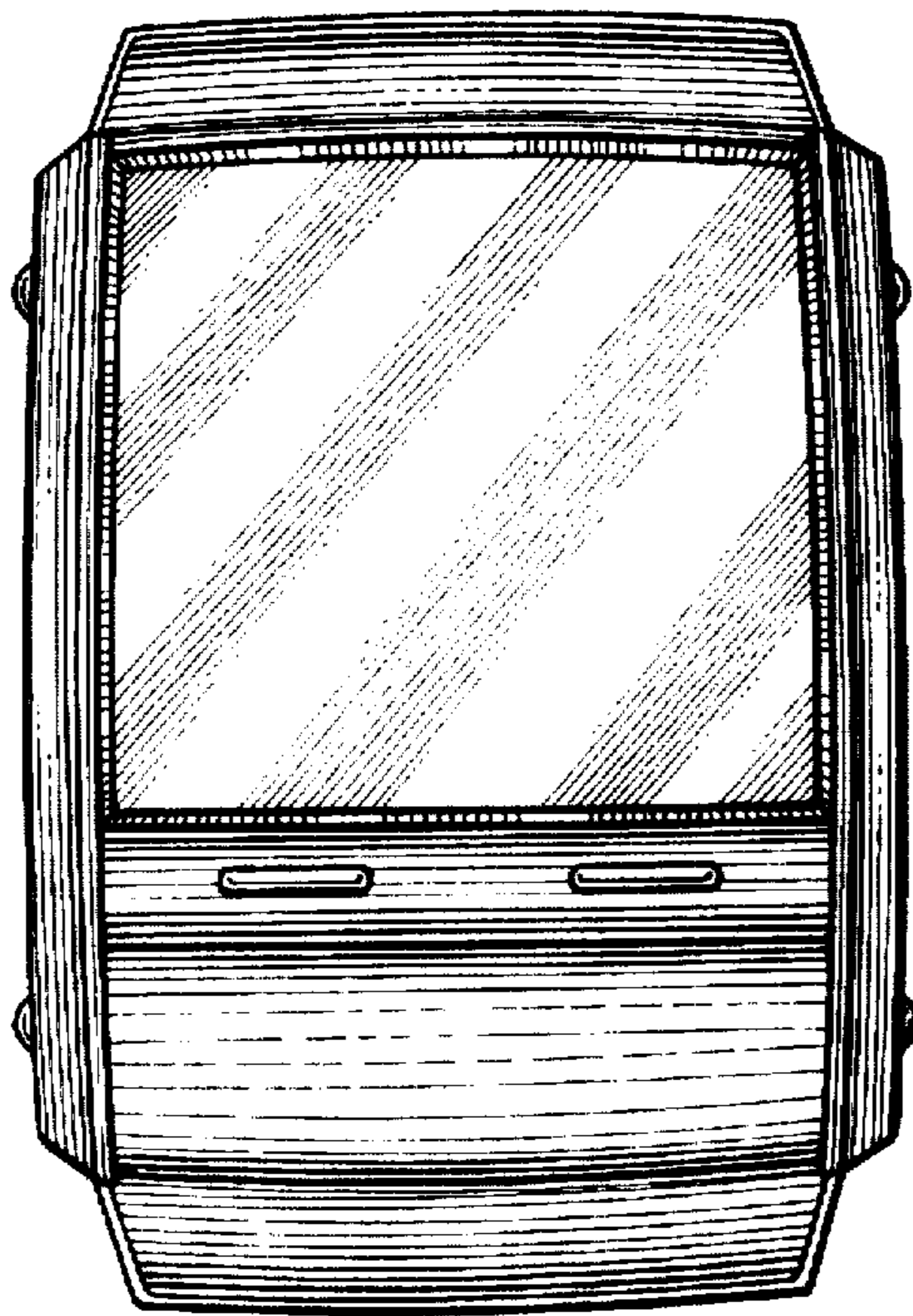


FIG. 2

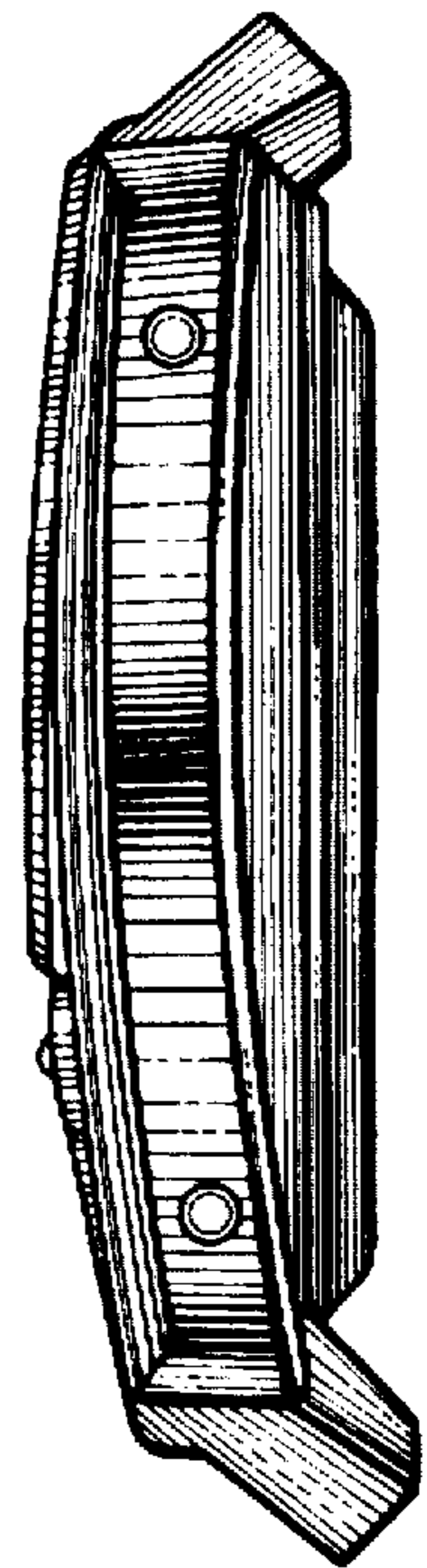


FIG. 5

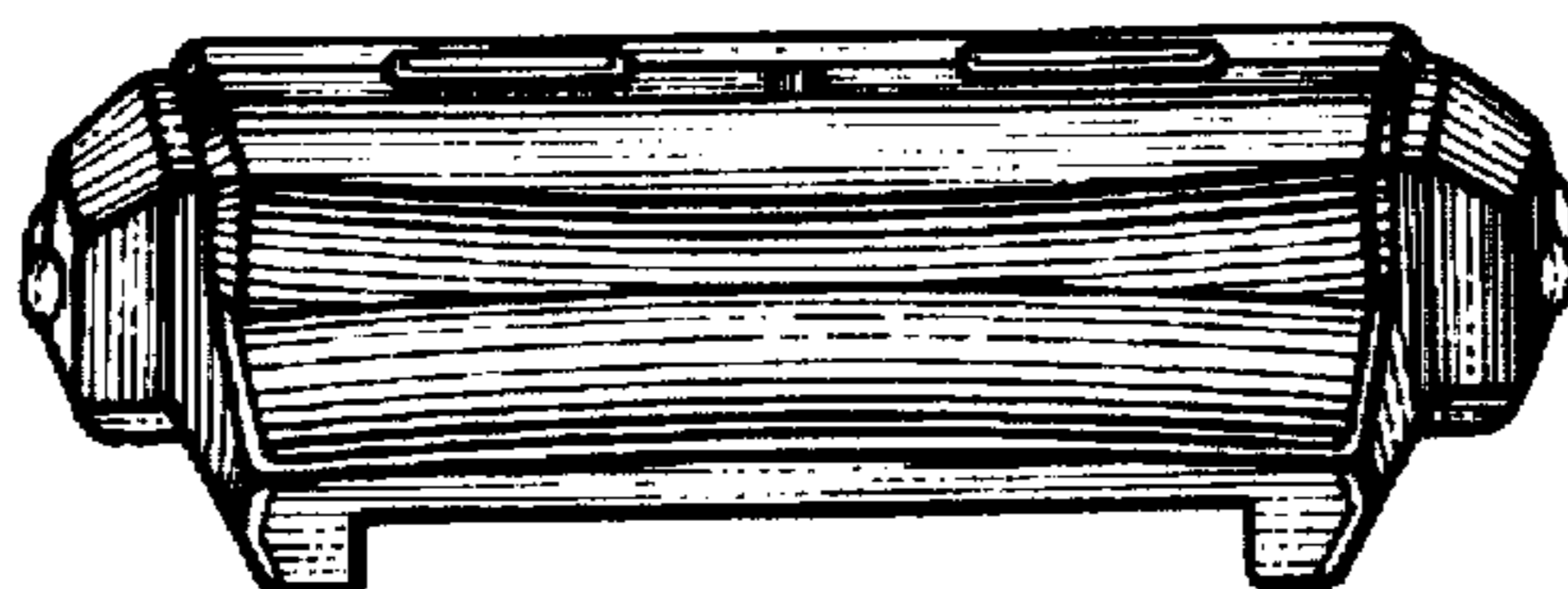


FIG. 6

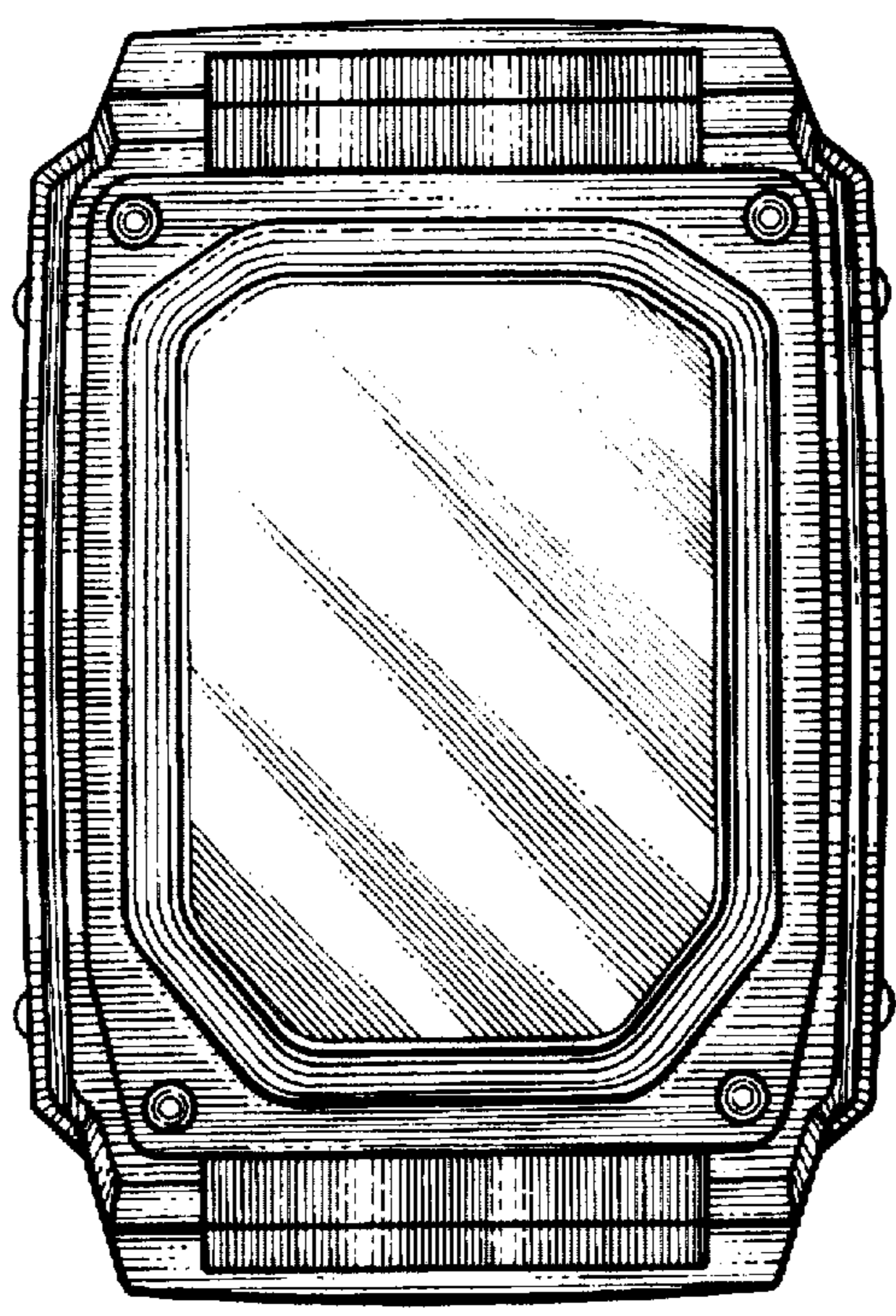


FIG. 7

