



US00D391845S

United States Patent [19]
Freeman

[11] **Patent Number: Des. 391,845**
[45] **Date of Patent: **Mar. 10, 1998**

[54] **FURNITURE IMPACT CUSHION**
[76] **Inventor: James W. Freeman, 20253 Gifford St.,
Winnetka, Calif. 91306-3210**
[**] **Term: 14 Years**
[21] **Appl. No.: 68,189**
[22] **Filed: Mar. 17, 1997**
[51] **LOC (6) Cl. 08-09**
[52] **U.S. Cl. D8/402**
[58] **Field of Search D8/402; 16/86 R,
16/86 A; 267/139, 140; 114/219; 248/345.1**

3,179,397 4/1965 Cleereman 267/140
3,804,395 4/1974 Muller 267/140
4,664,053 5/1987 Mesinger 267/139

Primary Examiner—B. J. Bullock
Attorney, Agent, or Firm—Clifford A. Poff

[57] **CLAIM**

The ornamental design for a furniture impact cushion, as shown and described.

DESCRIPTION

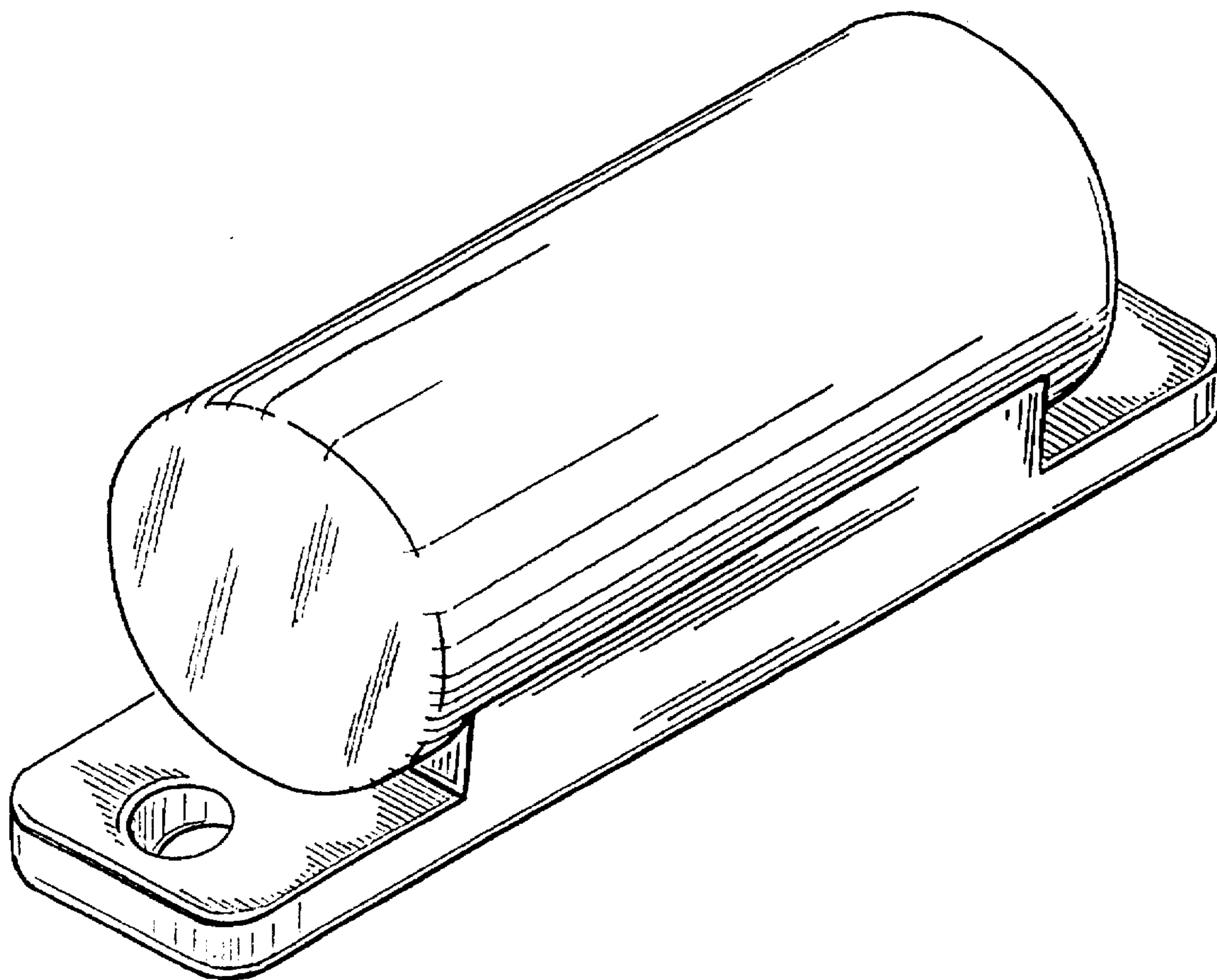
FIG. 1 is a perspective view of a furniture impact cushion showing my new design;
FIG. 2 is a bottom plan view thereof;
FIG. 3 is a front elevational view thereof, of which the rear elevational view is identical;
FIG. 4 is a top plan view thereof; and,
FIG. 5 is a right side elevational view thereof, of which the left side elevational view is identical.

[56] **References Cited**

U.S. PATENT DOCUMENTS

D. 356,274 3/1995 Ross et al. D8/402
365,225 6/1887 Barrows 248/345.1
459,251 9/1891 Hall 16/86 A
2,048,274 7/1936 Luby 16/86 A

1 Claim, 2 Drawing Sheets



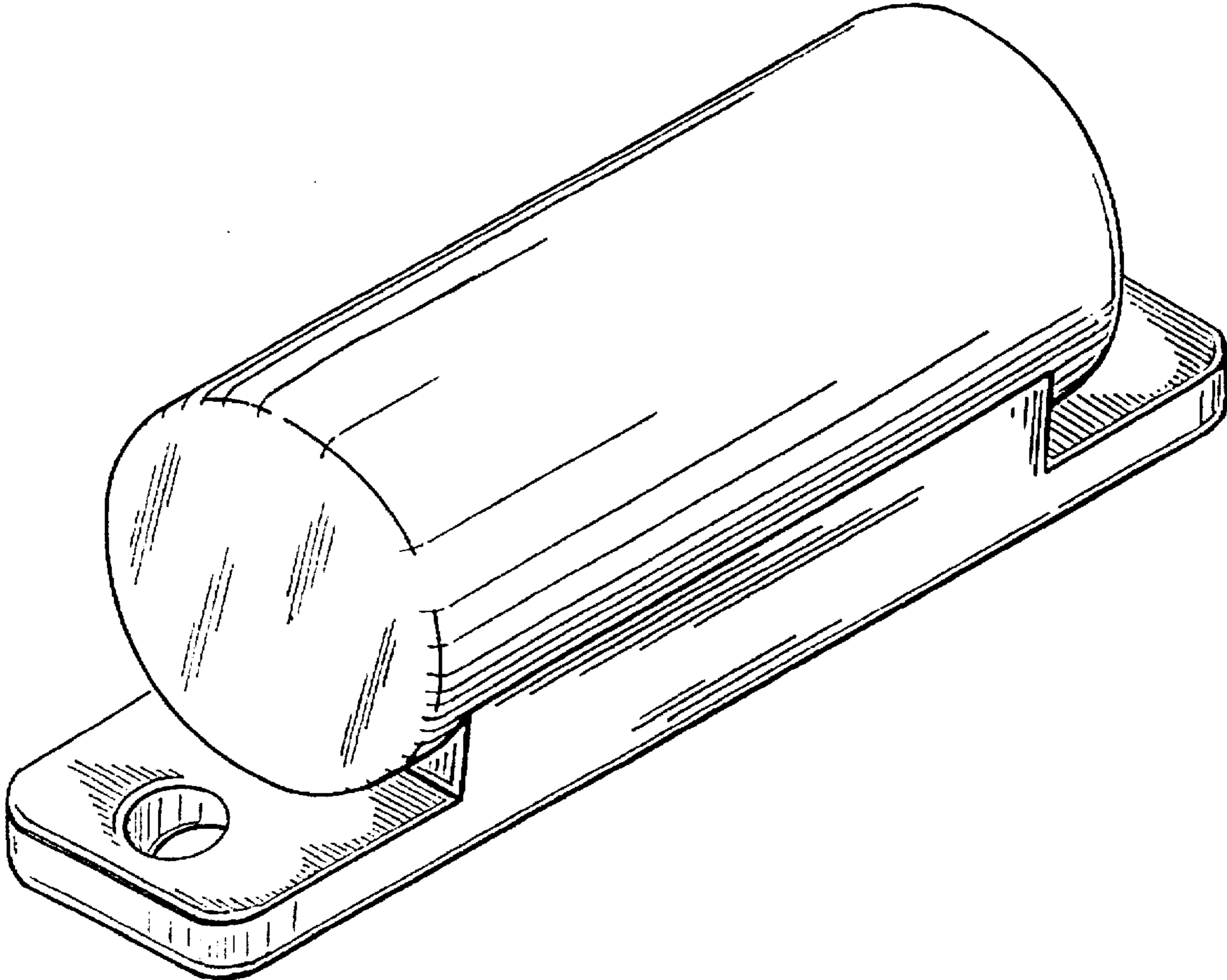


FIG 1

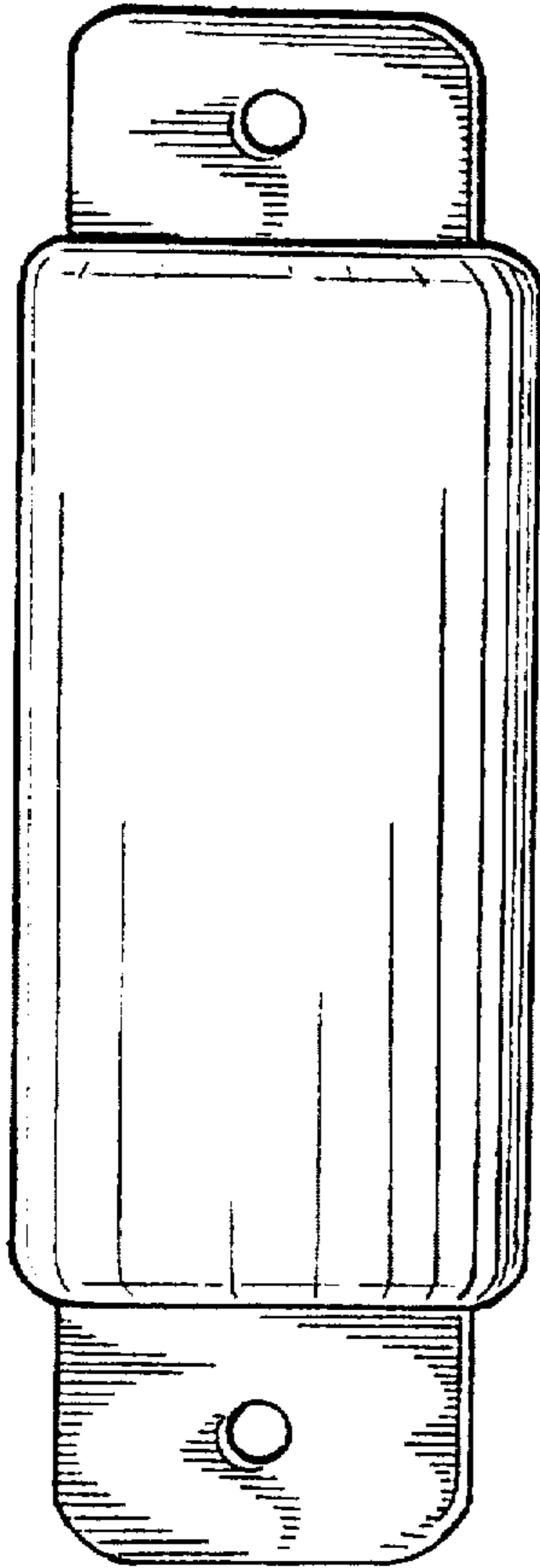


FIG. 4

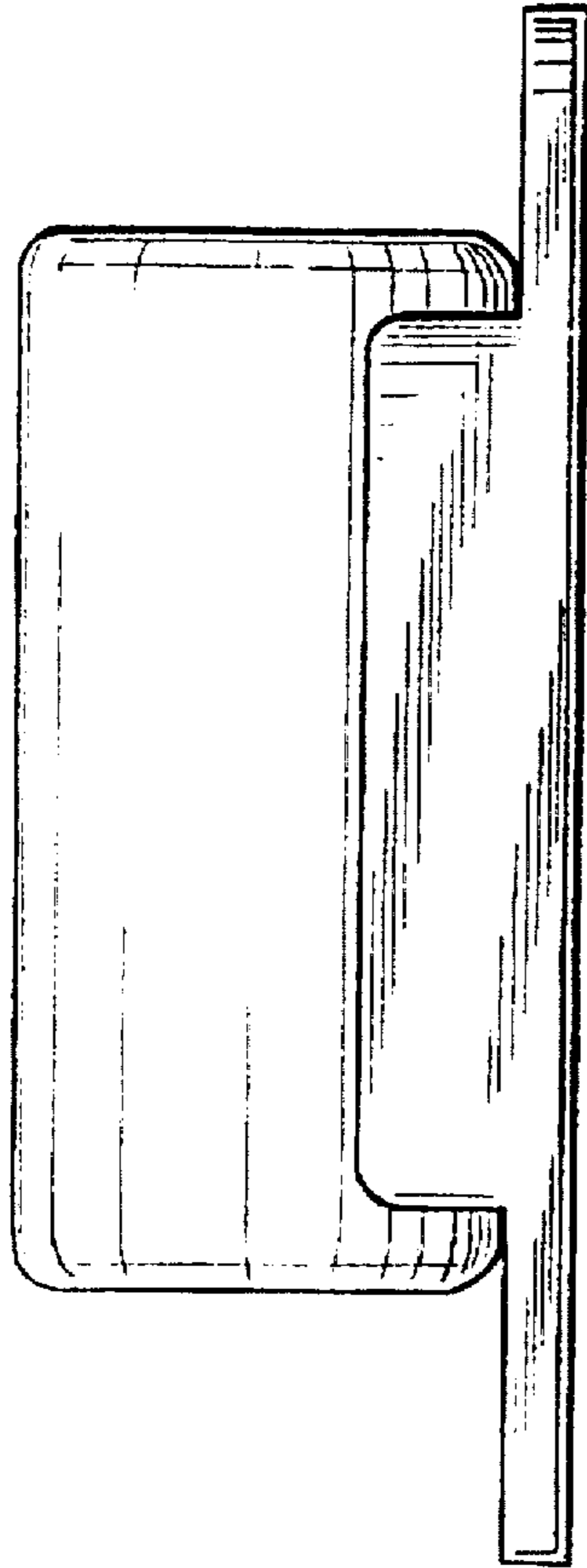


FIG. 3

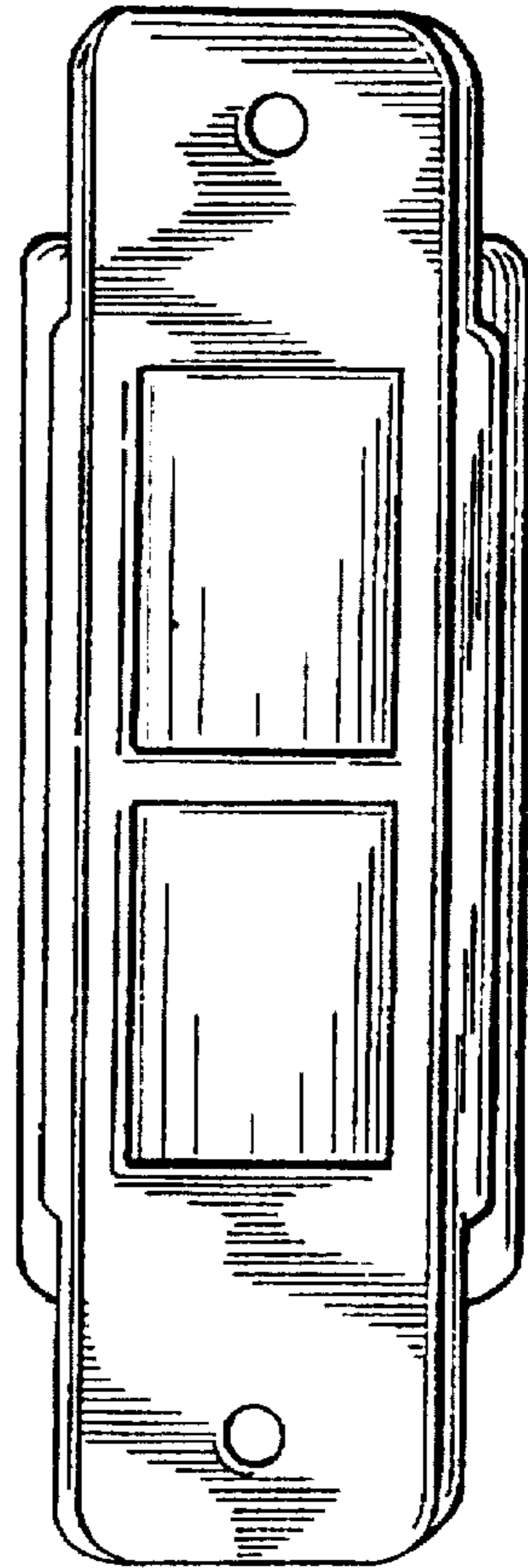


FIG. 2

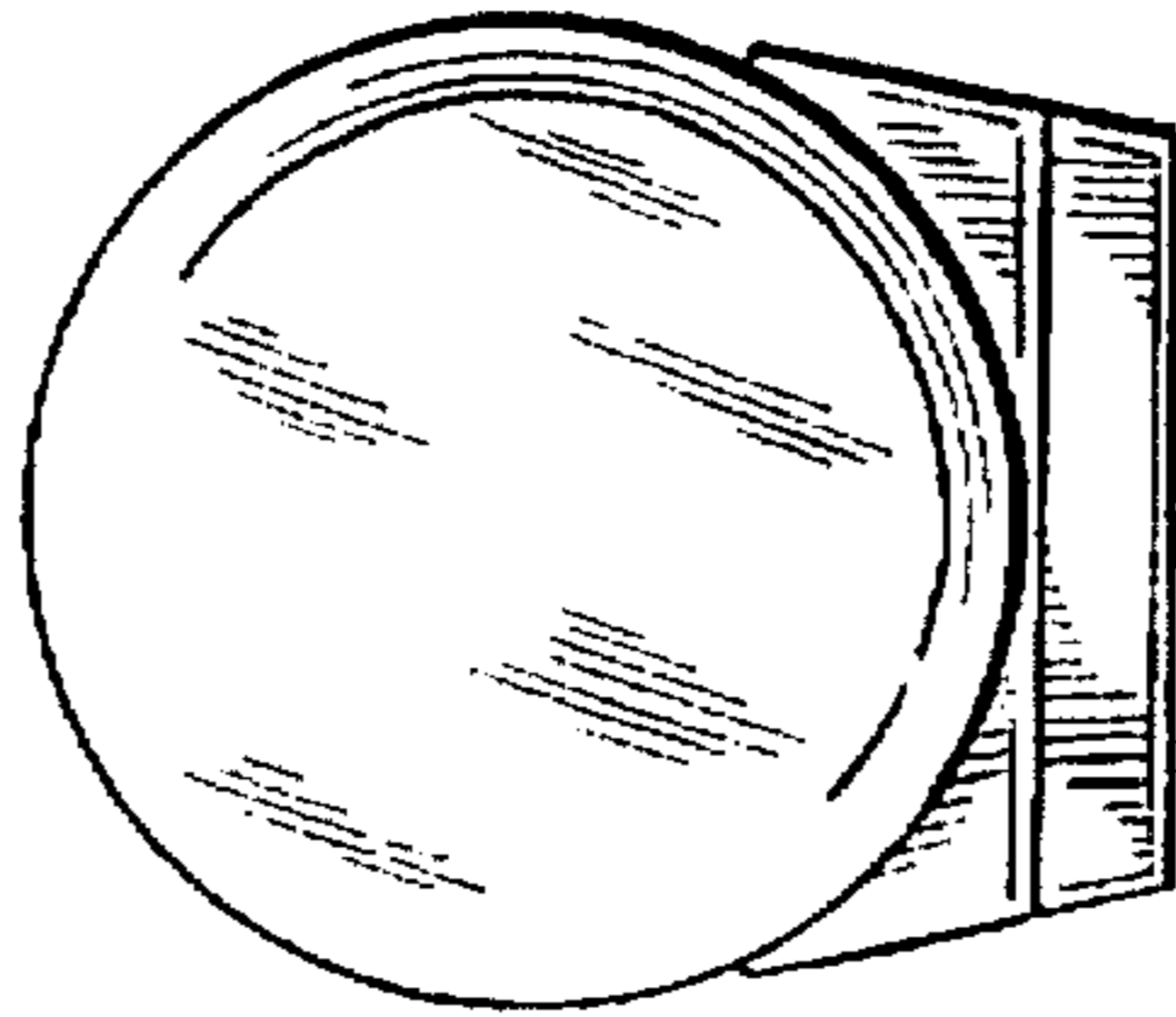


FIG. 5