

US00D391841S

United States Patent [19]

Loescher

[11] Patent Number: **Des. 391,841**

[45] Date of Patent: ****Mar. 10, 1998**

[54] **FURNITURE ROLLER**

[75] Inventor: **William A. Loescher**, Redding, Conn.

[73] Assignee: **Howe Furniture Corporation**,
Trumbull, Conn.

[**] Term: **14 Years**

[21] Appl. No.: **68,632**

[22] Filed: **Mar. 13, 1997**

[51] LOC (6) Cl. **08-05**

[52] U.S. Cl. **D8/375**

[58] Field of Search **D8/375; 16/45,**
16/18 R, 24

[56] **References Cited**

U.S. PATENT DOCUMENTS

D. 181,662 12/1957 Modarelli **D8/375**

D. 240,503 7/1976 Crescebi **D8/375**

Primary Examiner—Holly Baynham
Attorney, Agent, or Firm—Ware, Fressola, van der Sluys &
Adolphson LLP

[57] **CLAIM**

The ornamental design of a furniture roller, as shown and described.

DESCRIPTION

FIG. 1 is a perspective view of a furniture roller showing my new design;

FIG. 2 is a left end view of the roller of FIG. 1;

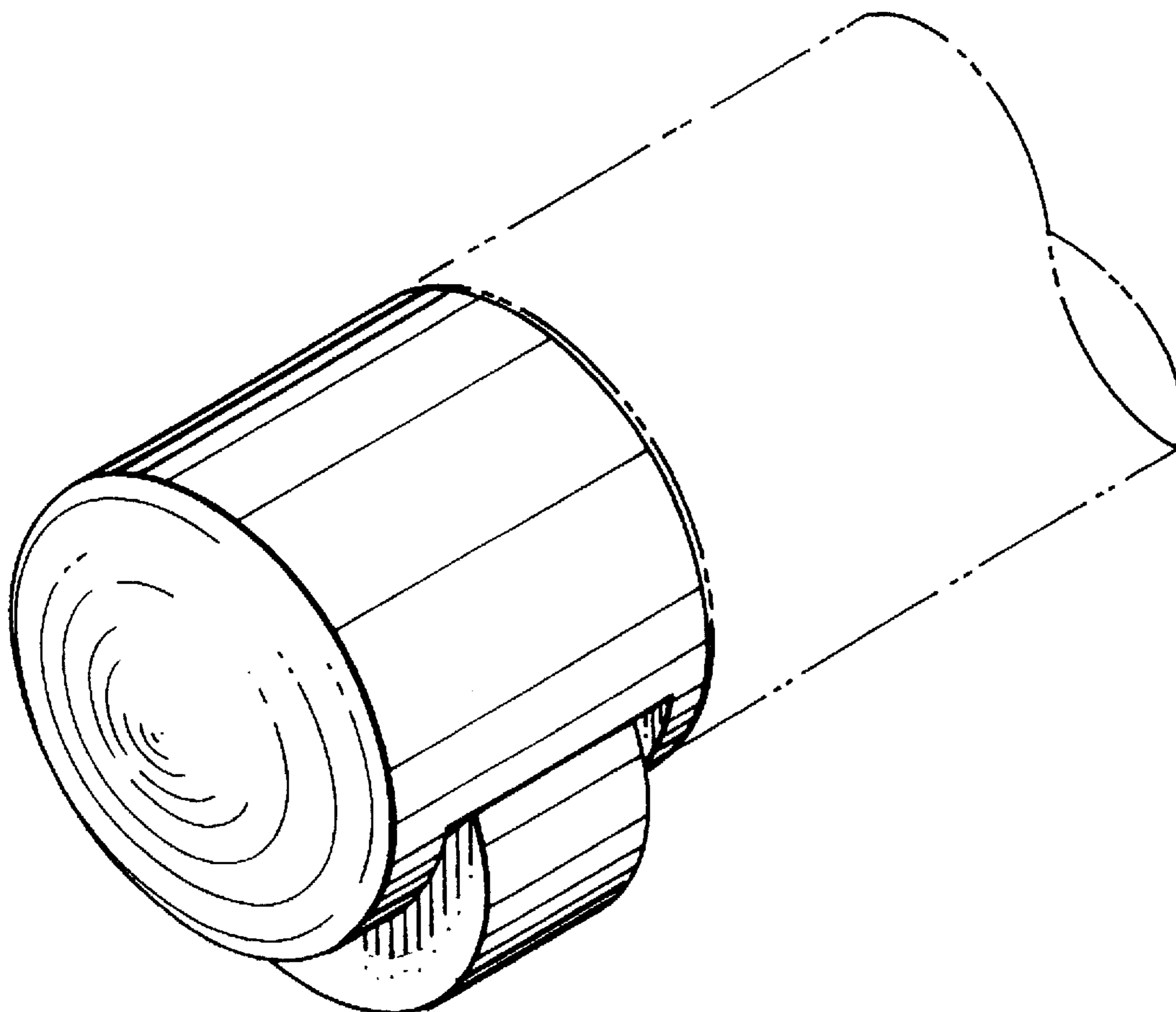
FIG. 3 is a top view;

FIG. 4 is an elevational view; and,

FIG. 5 is a bottom view.

The broken line showing of partial structure is for illustrative purposes only and forms no part of the claimed design.

1 Claim, 1 Drawing Sheet



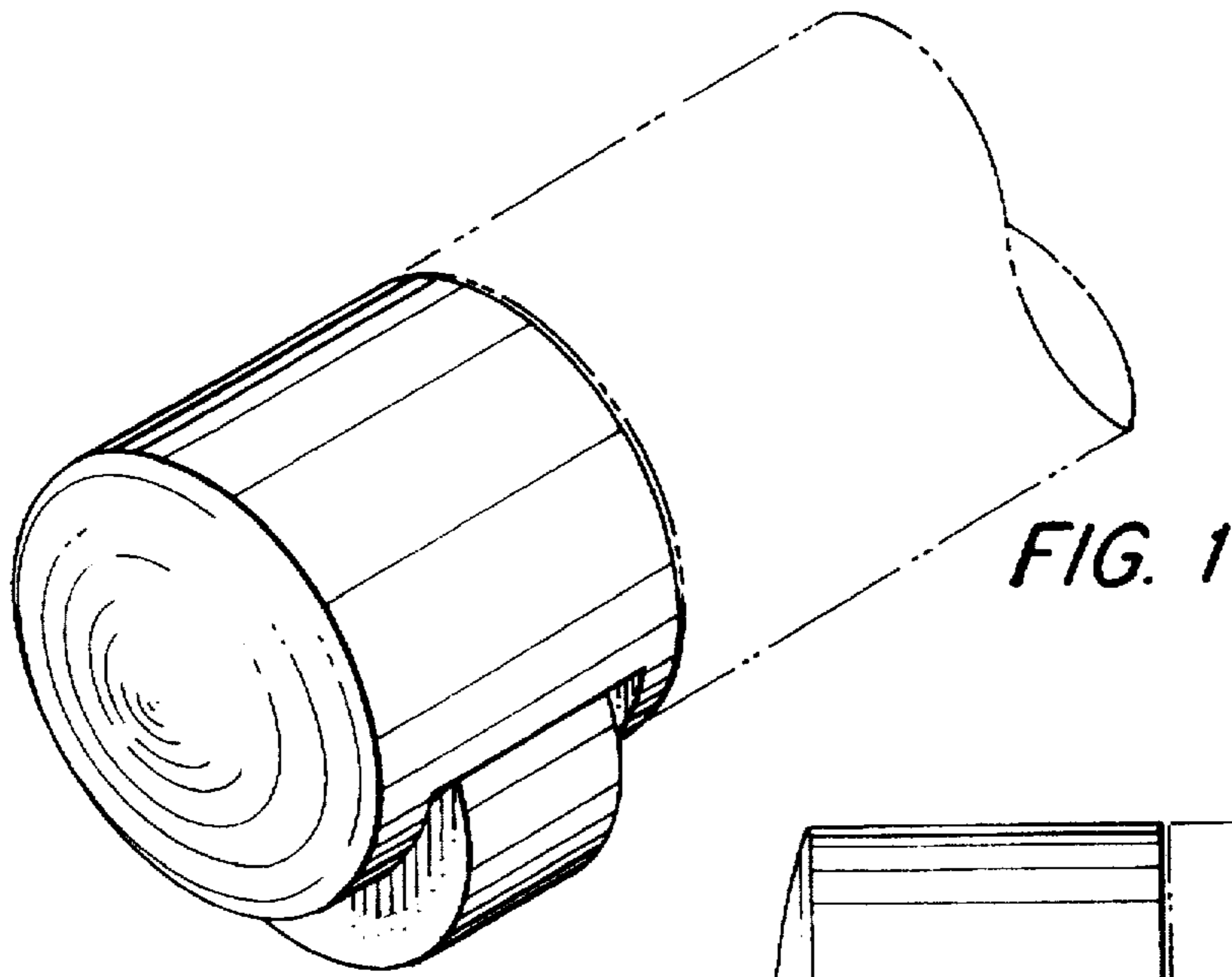


FIG. 1

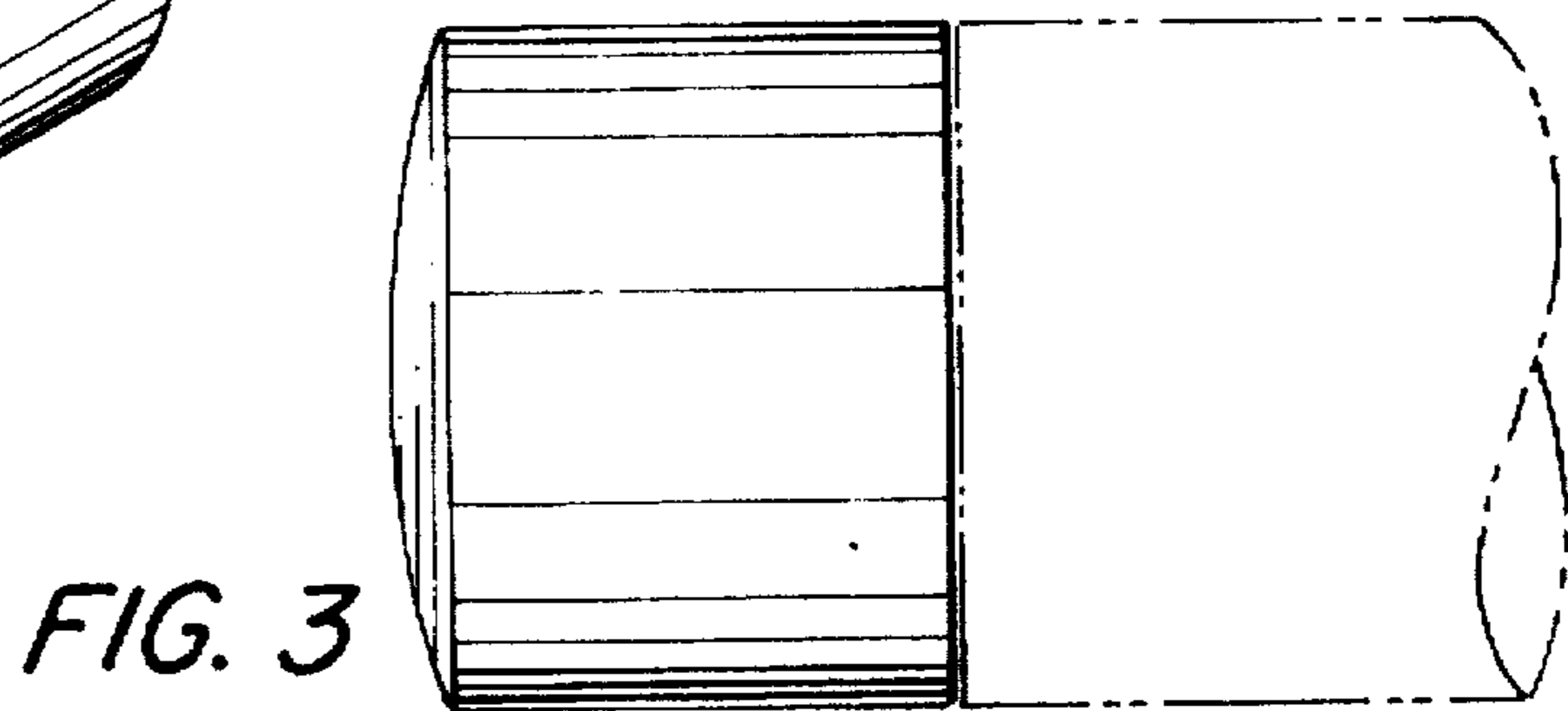


FIG. 3

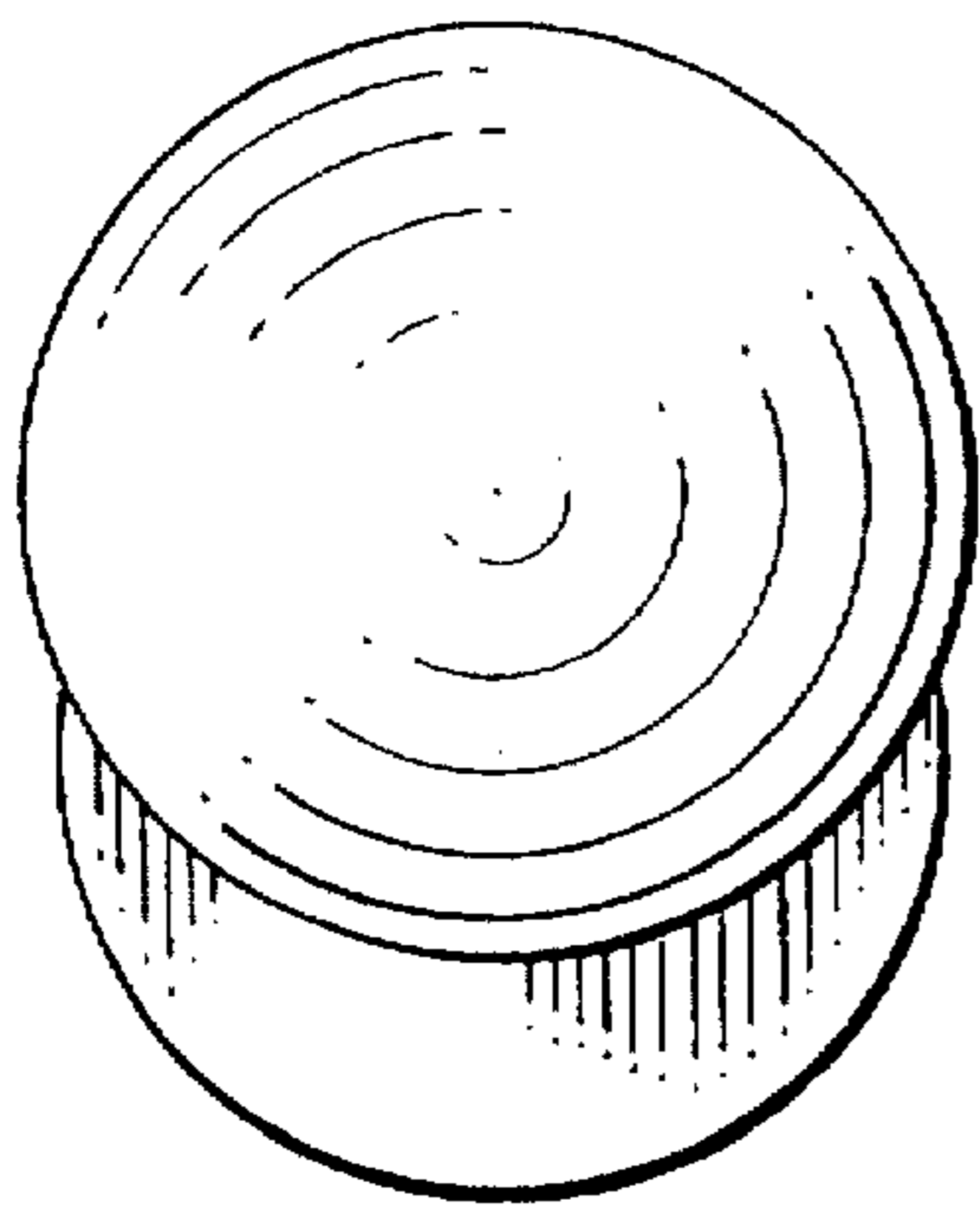


FIG. 2

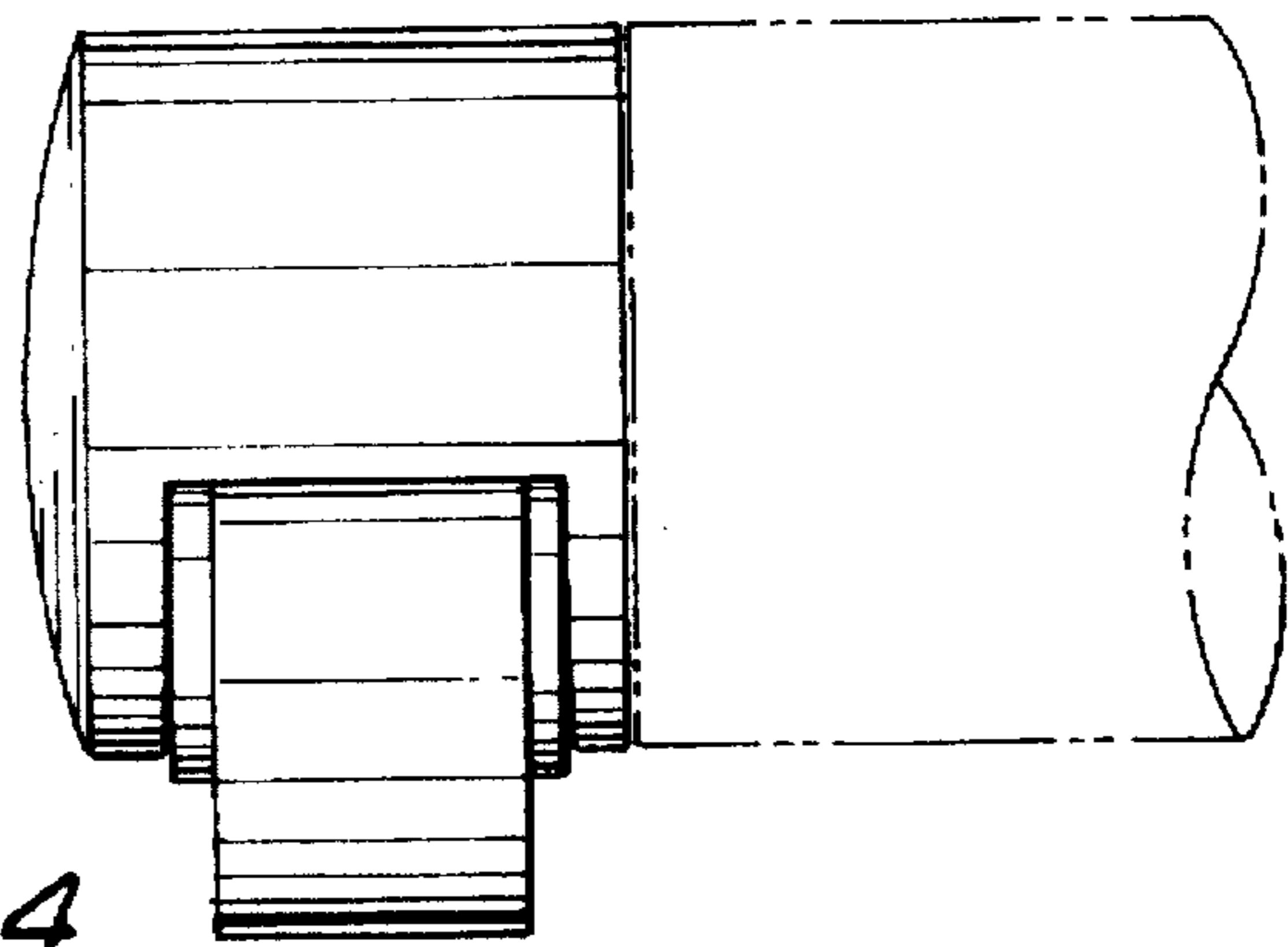


FIG. 4

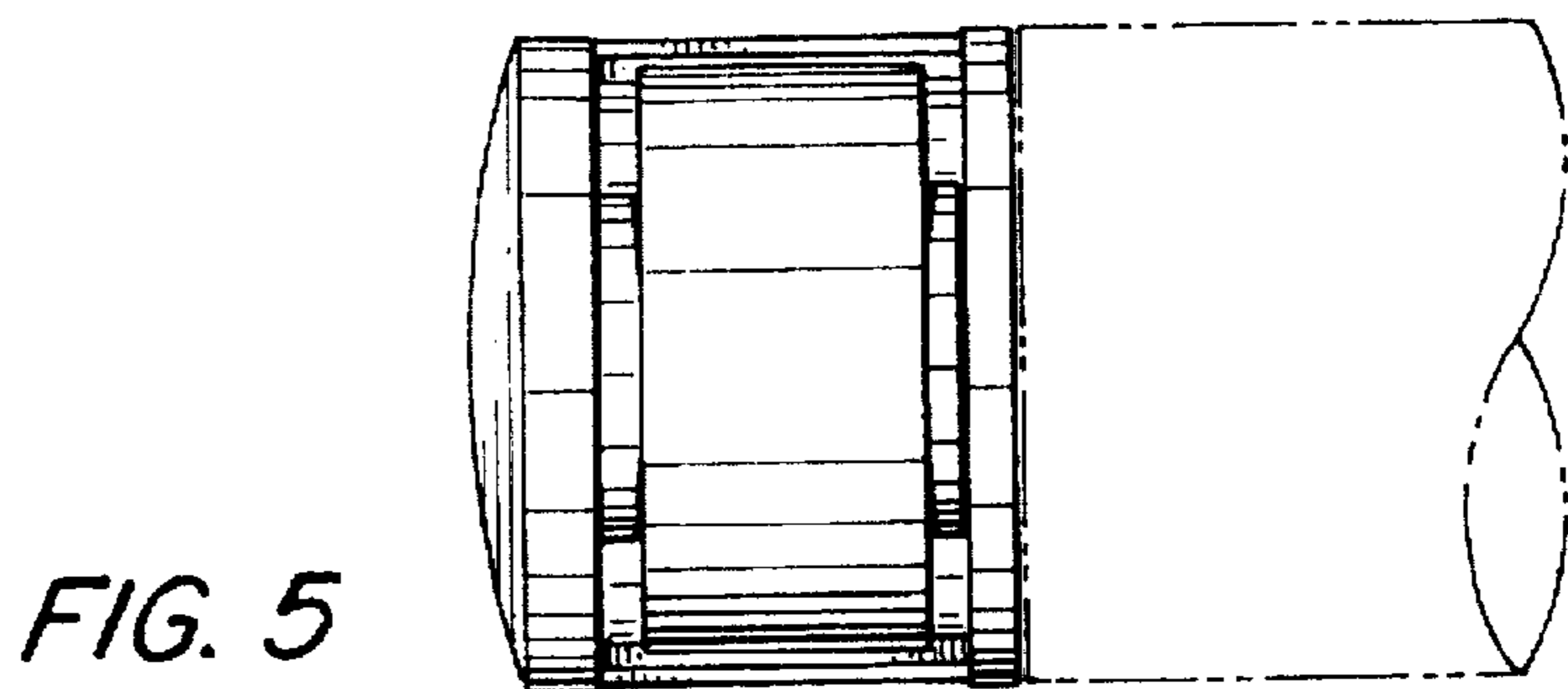


FIG. 5