

US00D391839S

United States Patent [19]

Viklund et al.

[11] Patent Number: Des. 391,839

[45] Date of Patent: **Mar. 10, 1998

[54] CABLE RETAINER

D. 257,665 12/1980 Young D8/367
D. 369,954 5/1996 Otramba D8/356

[75] Inventors: **Mark Viklund**, New Milford; **Jeff Edgerly**, Bristol, both of Conn.

Primary Examiner—Holly Baynham
Attorney, Agent, or Firm—Fishman, Dionne, Cantor & Colburn

[73] Assignee: **The Siemon Company**, Watertown, Conn.

[**] Term: **14 Years**

[57] CLAIM

The ornamental design for a cable retainer, as shown.

[21] Appl. No.: **66,607**

DESCRIPTION

[22] Filed: **Feb. 12, 1997**

FIG. 1 is a front view of the cable retainer;
FIG. 2 is a right side view, the left side view being a mirror image;
FIG. 3 is a top view thereof;
FIG. 4 is a rear view thereof;
FIG. 5 is a bottom view thereof;
FIG. 6 is a perspective view thereof; and
FIG. 7 is a perspective view thereof.

[51] LOC (6) Cl. **08-05**

[52] U.S. Cl. **D8/356**

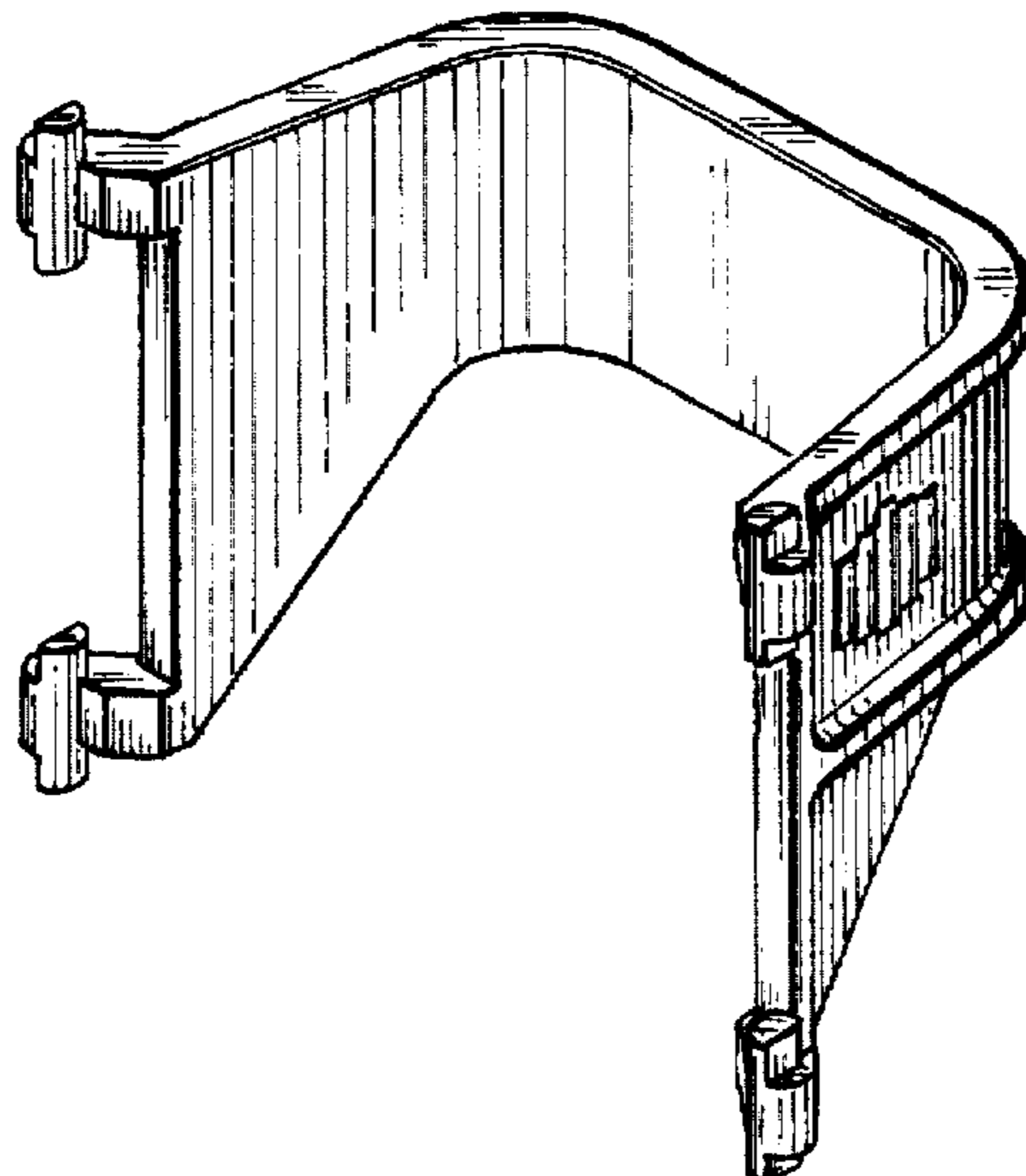
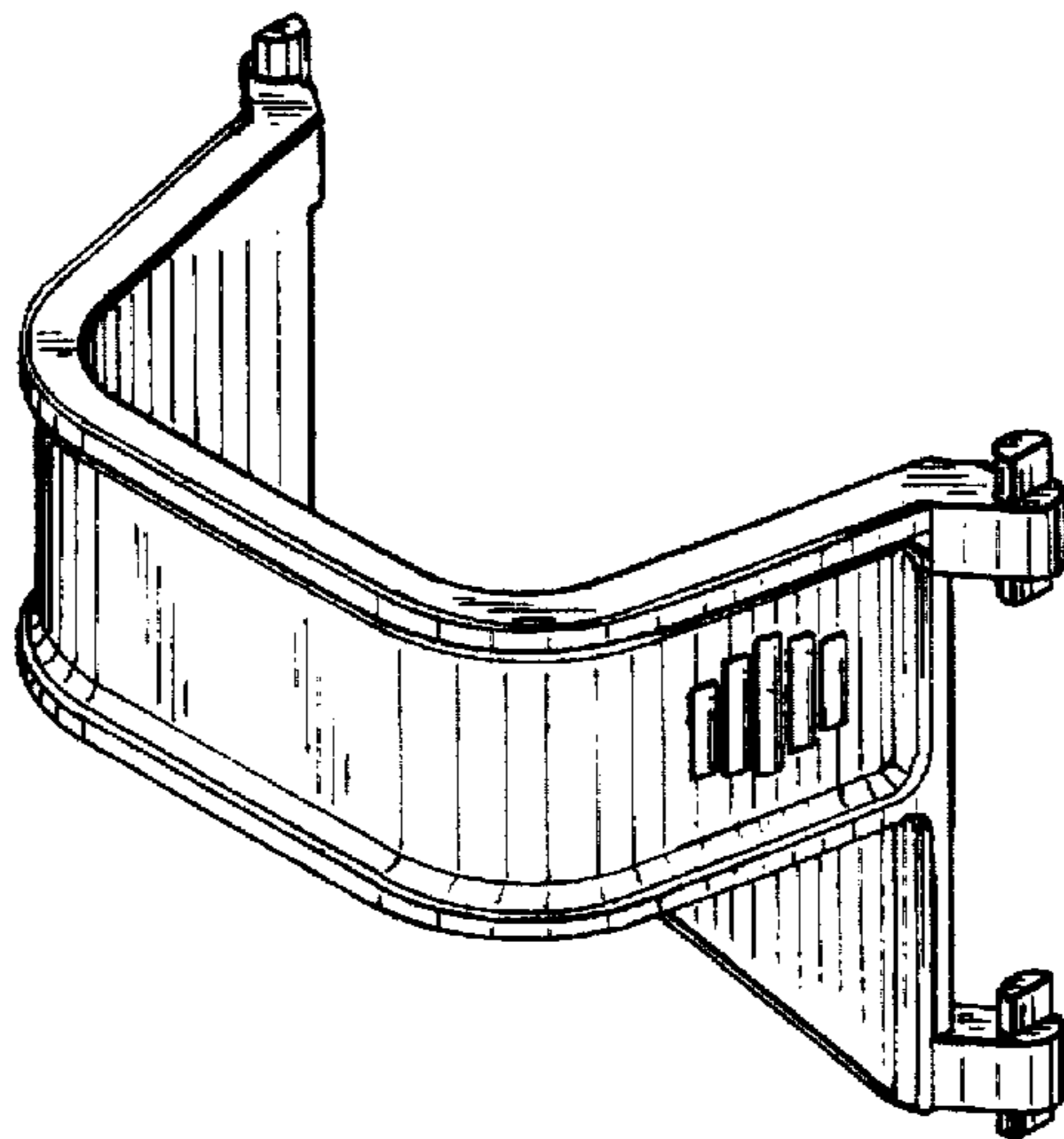
[58] Field of Search D8/356, 349, 354;
D13/155; 248/58, 74.1-74.4, 71-72; 174/65 R

[56] References Cited

U.S. PATENT DOCUMENTS

D. 204,563 4/1966 Scarborough, Jr. D8/356

1 Claim, 3 Drawing Sheets



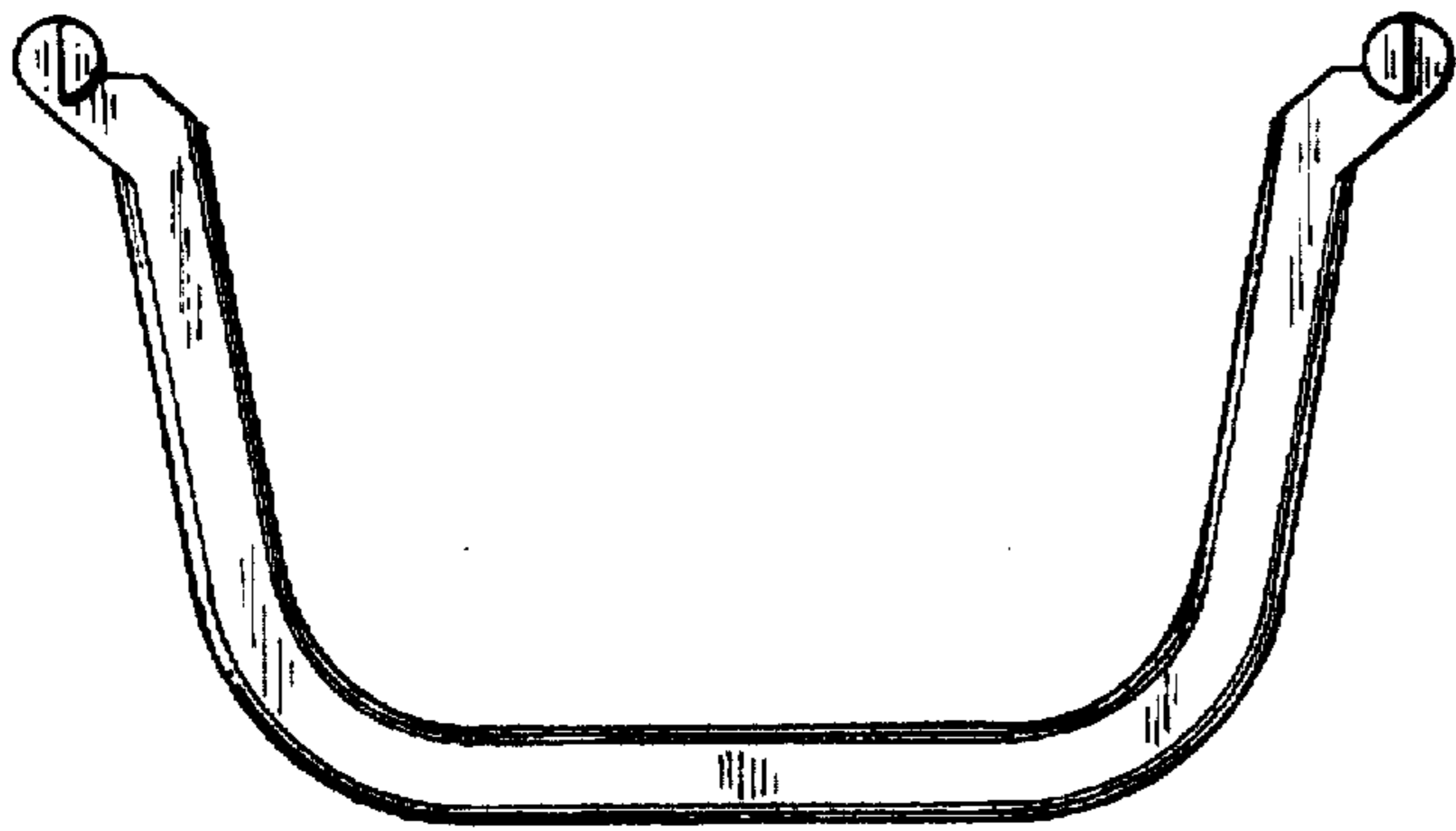


FIG. 3

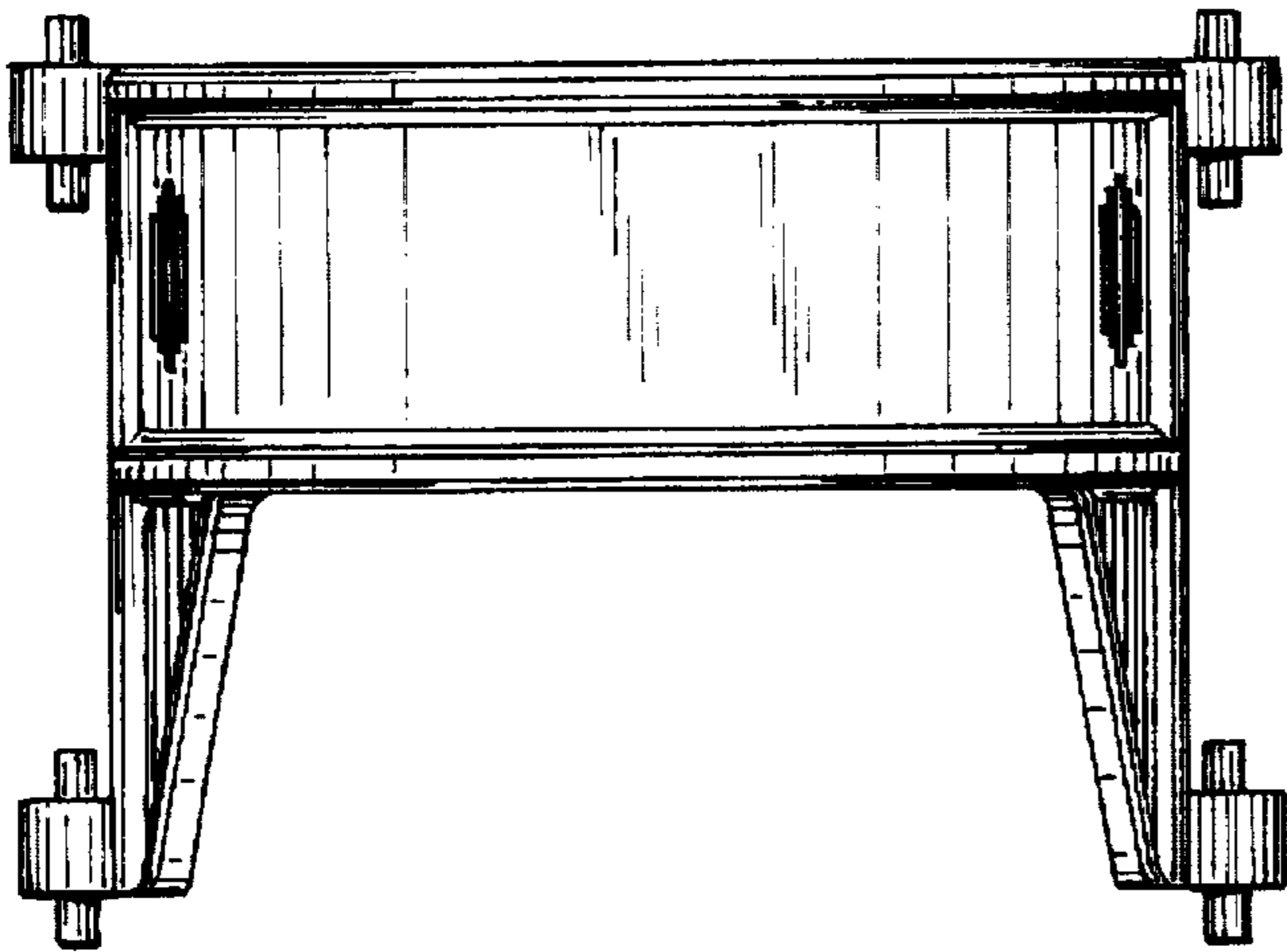


FIG. 1

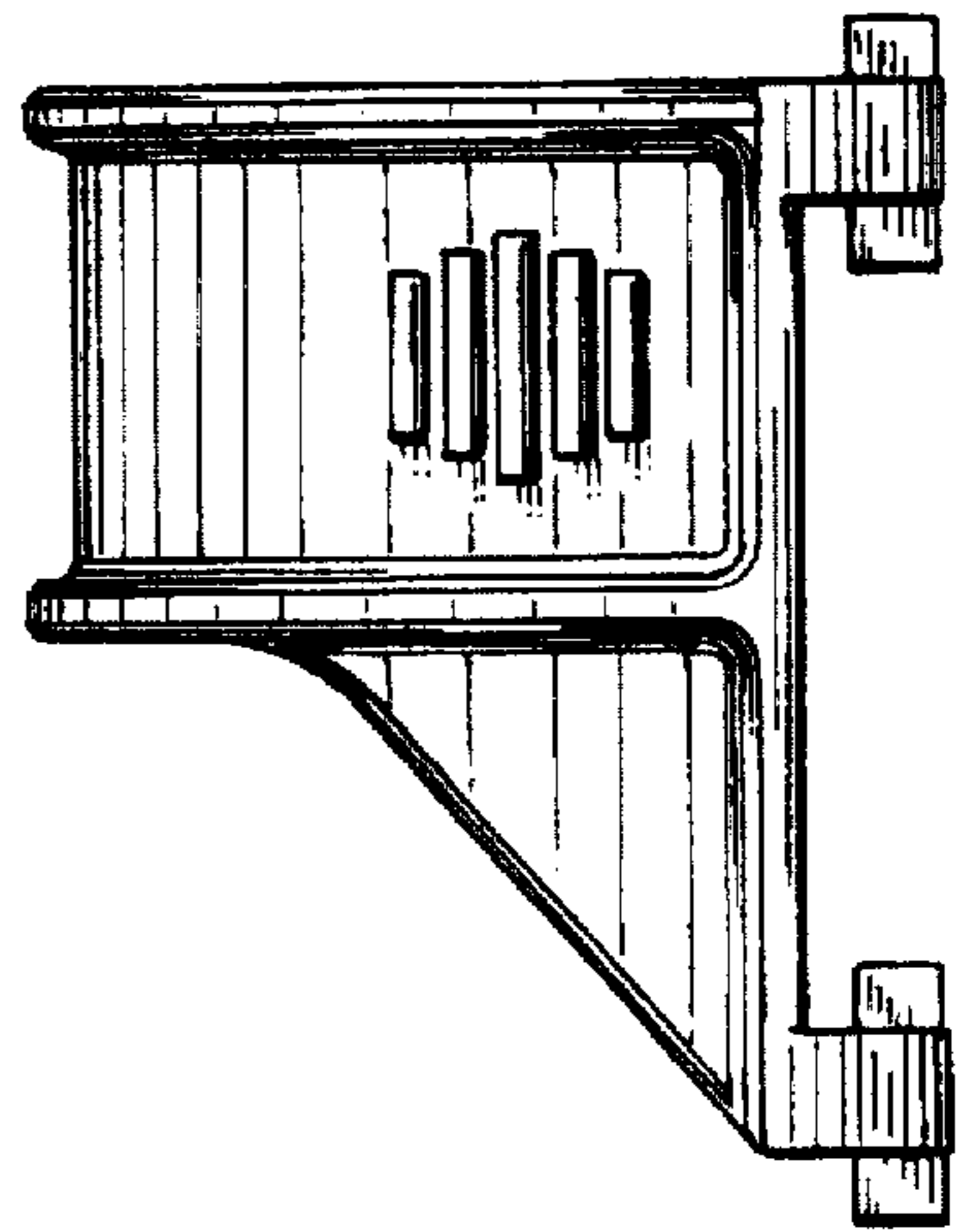


FIG. 2

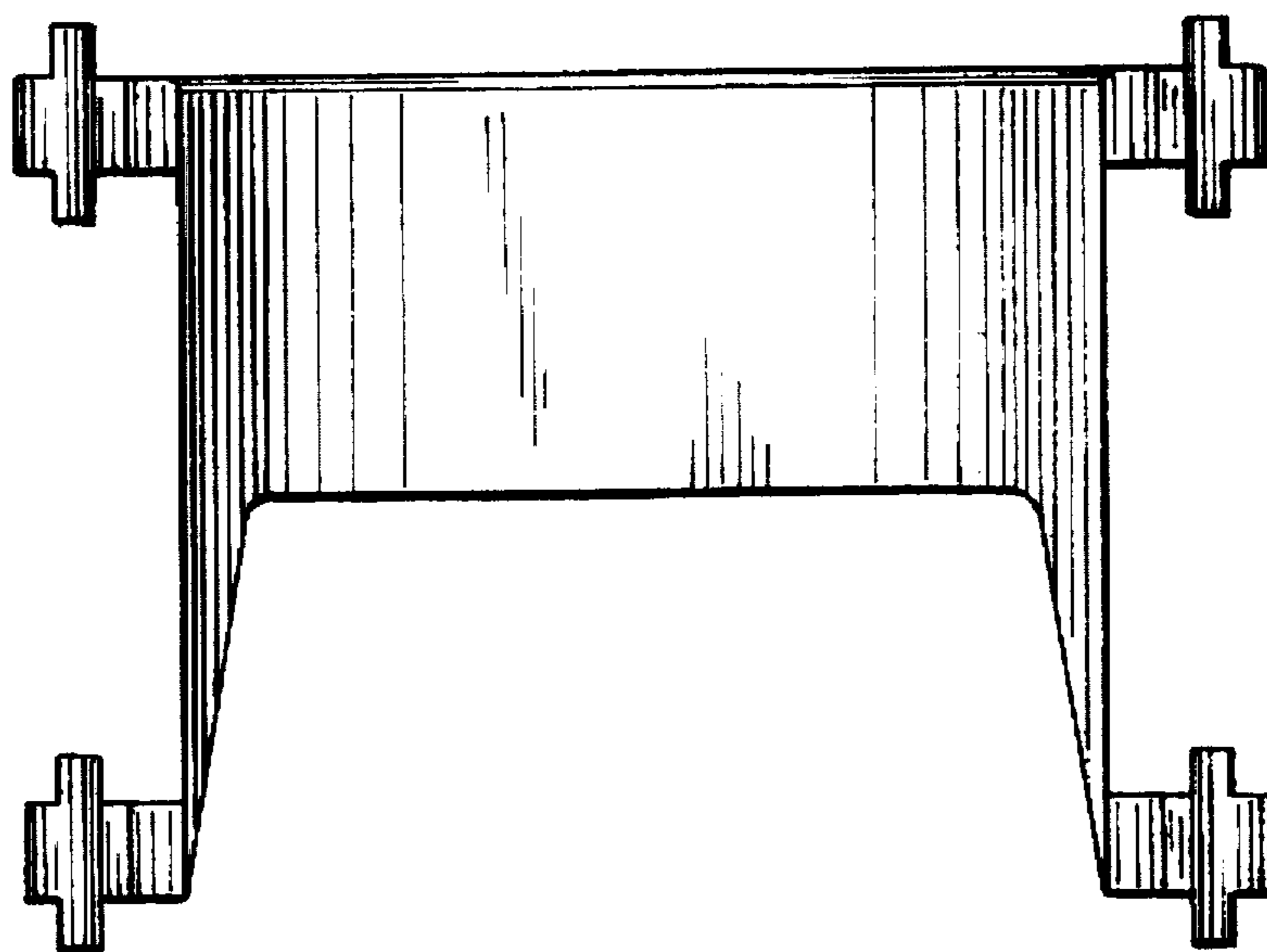


FIG. 4

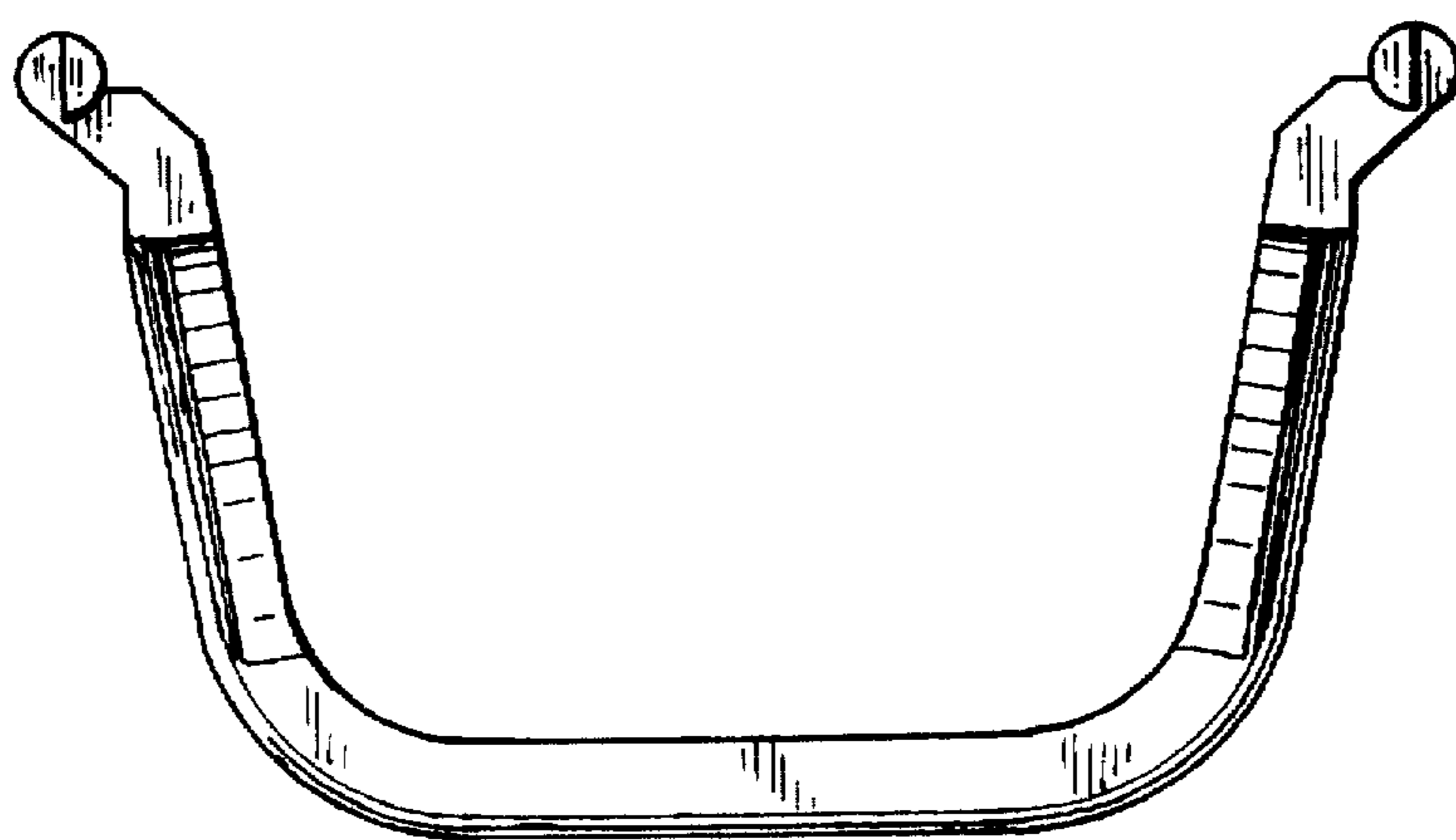


FIG. 5

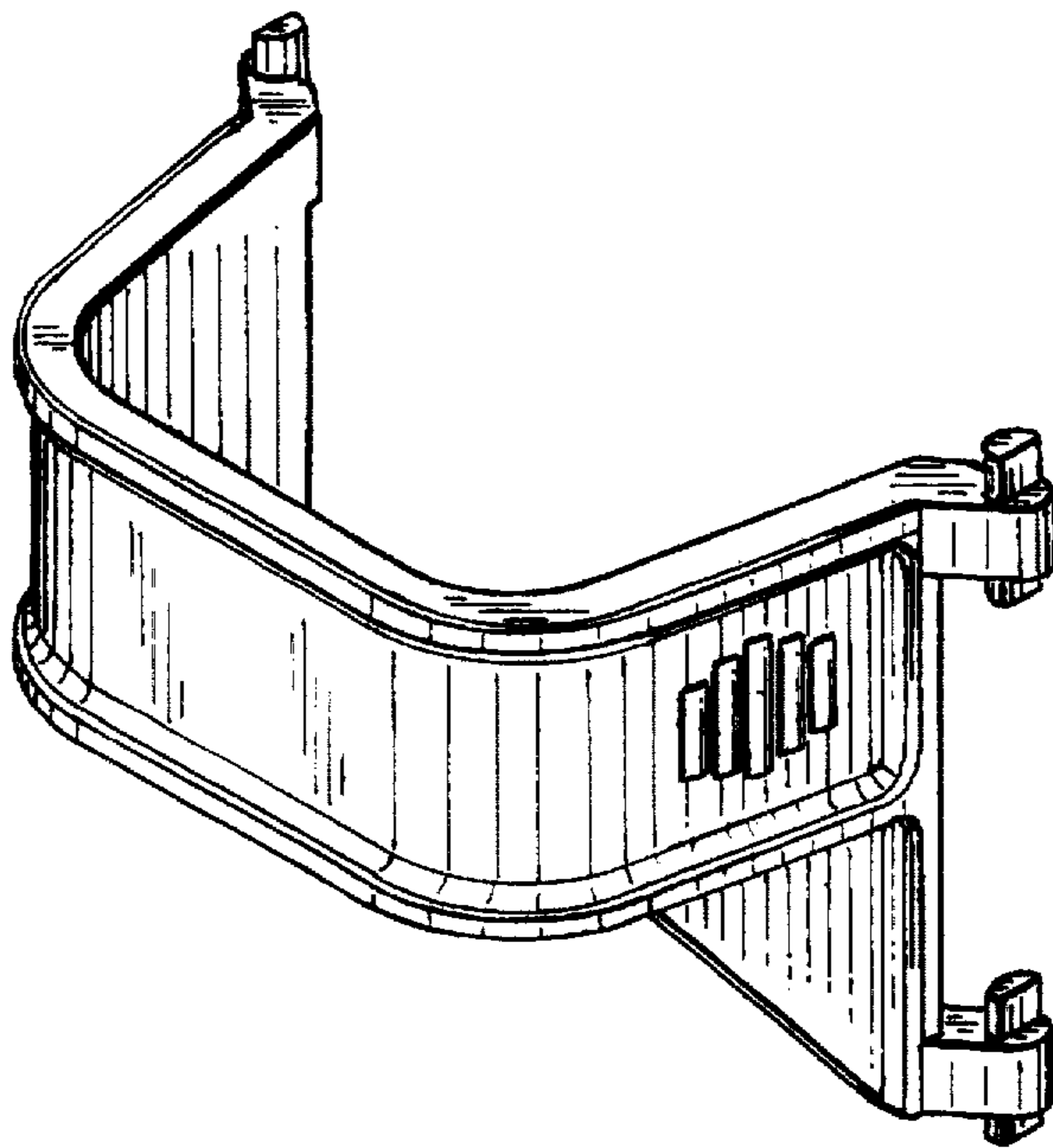


FIG. 6

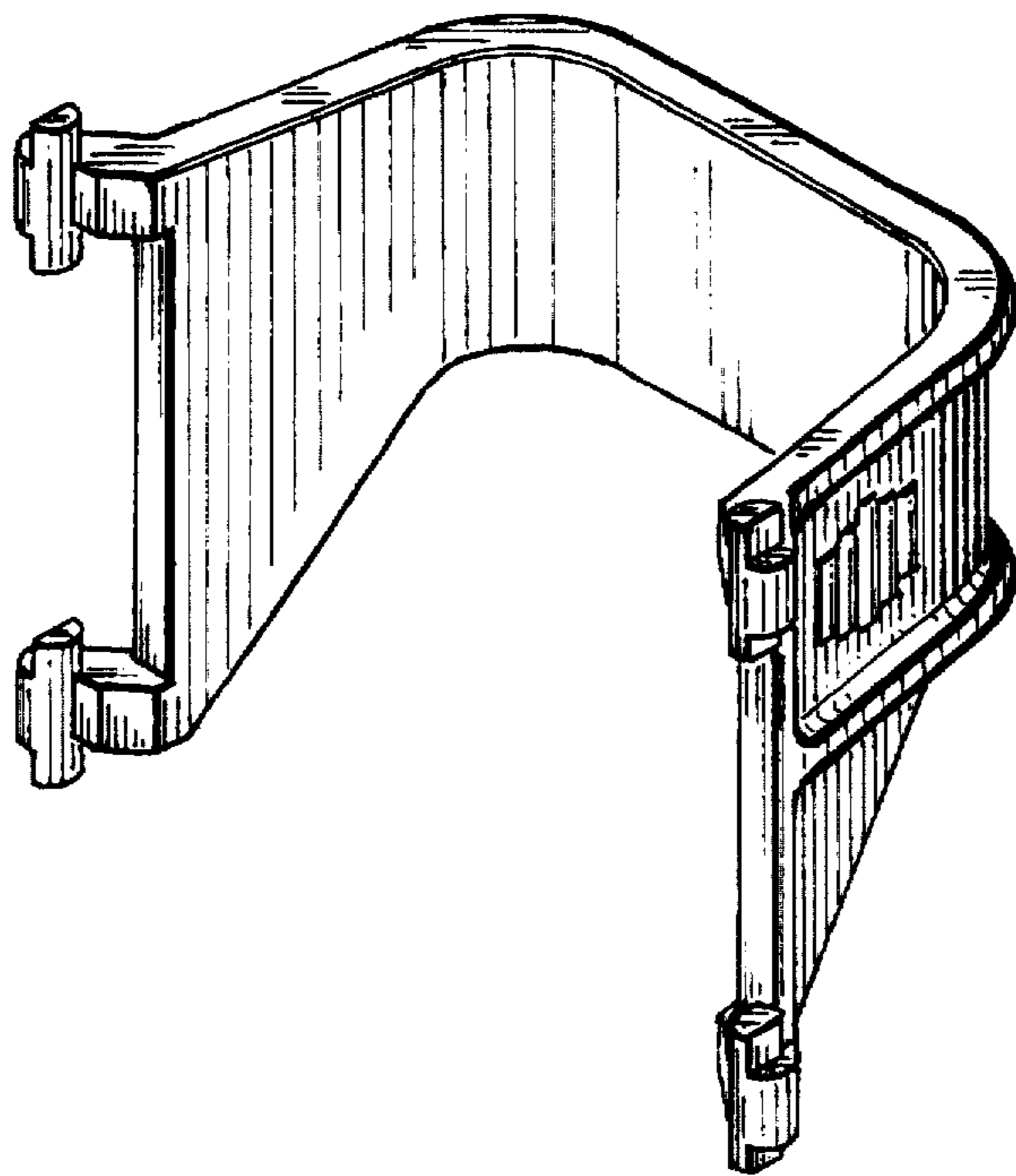


FIG. 7