



US00D391837S

United States Patent [19]

Adams

[11] Patent Number: **Des. 391,837**

[45] Date of Patent: ****Mar. 10, 1998**

[54] SUCTION CUP

[75] Inventor: **William E. Adams**, Portersville, Pa.

[73] Assignee: **Adams Mfg. Corp.**, Portersville, Pa.

[**] Term: **14 Years**

[21] Appl. No.: **63,204**

[22] Filed: **Dec. 2, 1996**

[51] LOC (6) Cl. **08-05**

[52] U.S. Cl. **D8/354**

[58] Field of Search **D8/354; 248/206.2, 248/205.5-205.9**

[56] **References Cited**

U.S. PATENT DOCUMENTS

398,679 2/1889 White 248/205.5
566,816 9/1896 Taylor et al. 248/205.5

1,267,270 5/1918 Rheinlander 248/205.5 X
2,145,142 1/1939 Stout 248/205.5
3,338,293 8/1967 Hohmann 248/205.5 X
5,078,356 1/1992 Adams 248/206.2

Primary Examiner—Holly Baynham
Attorney, Agent, or Firm—Buchanan Ingersoll, P.C.

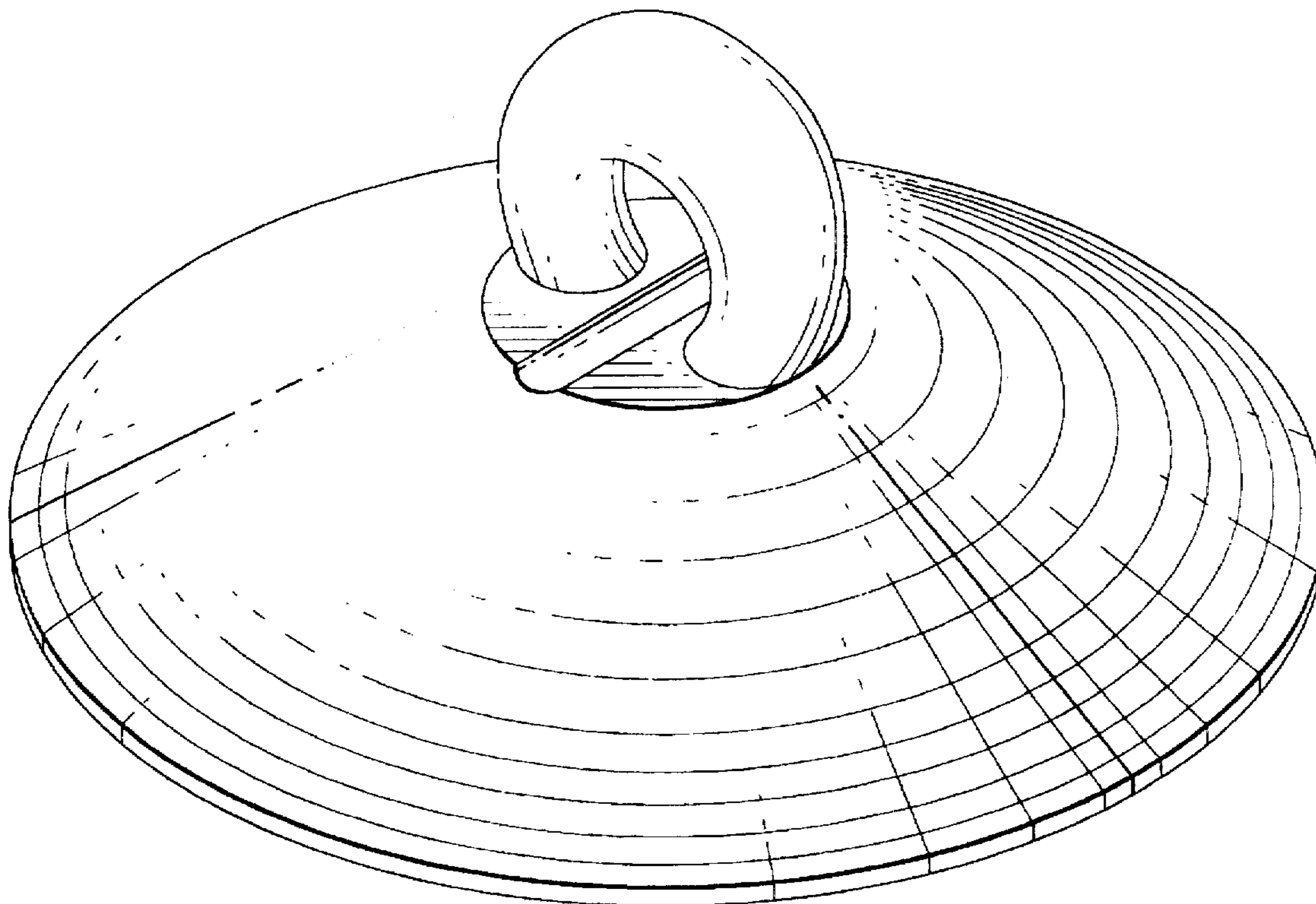
[57] **CLAIM**

The ornamental design for a suction cup, as shown and described.

DESCRIPTION

FIG. 1 is a perspective view of my suction cup;
FIG. 2 is a top plan view of my suction cup;
FIG. 3 is a front view of my suction cup the rear view being a mirror image thereof;
FIG. 4 is a bottom view of my suction cup; and,
FIG. 5 is a side view of my section cup.

1 Claim, 3 Drawing Sheets



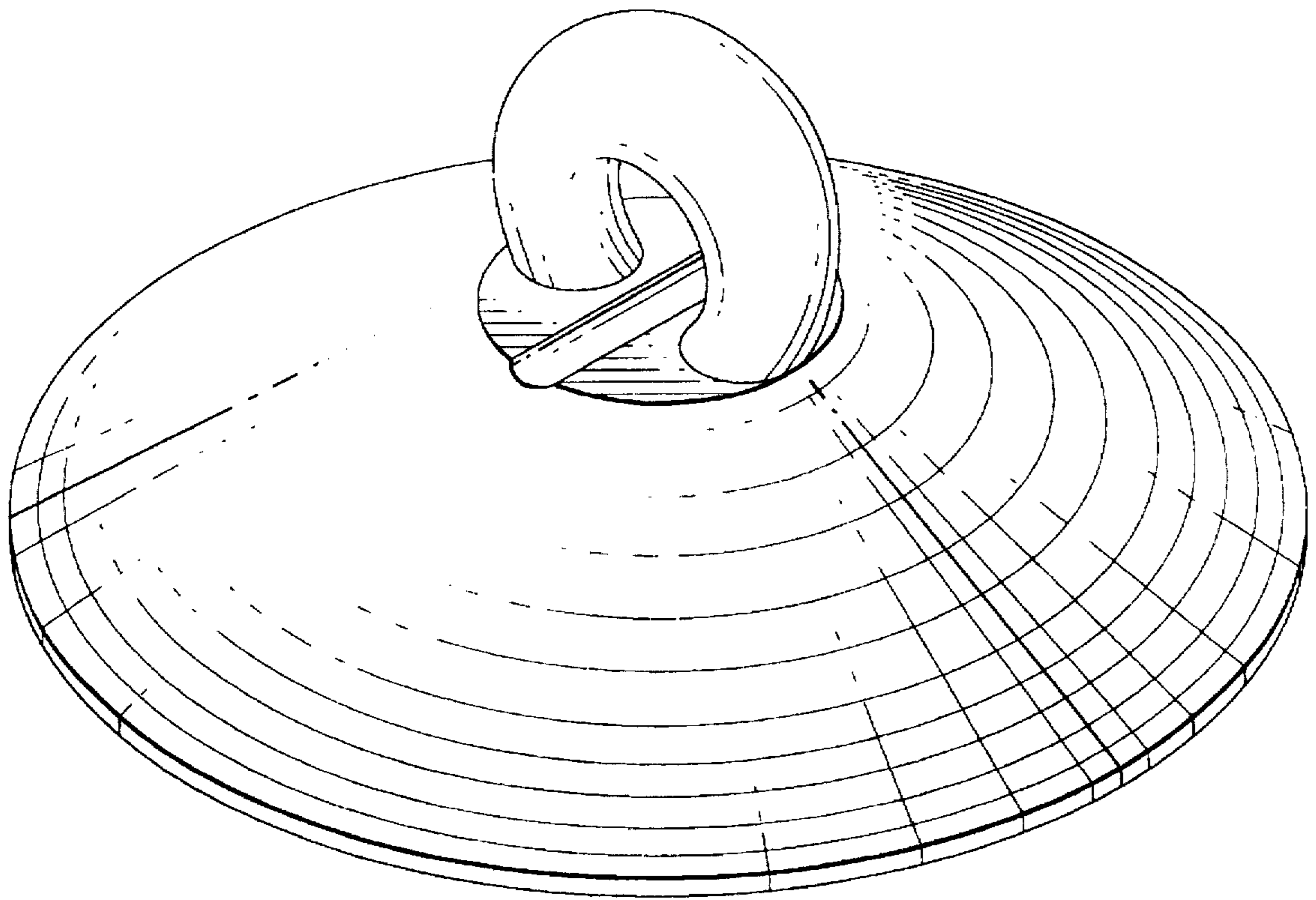


FIG. 1

FIG. 2

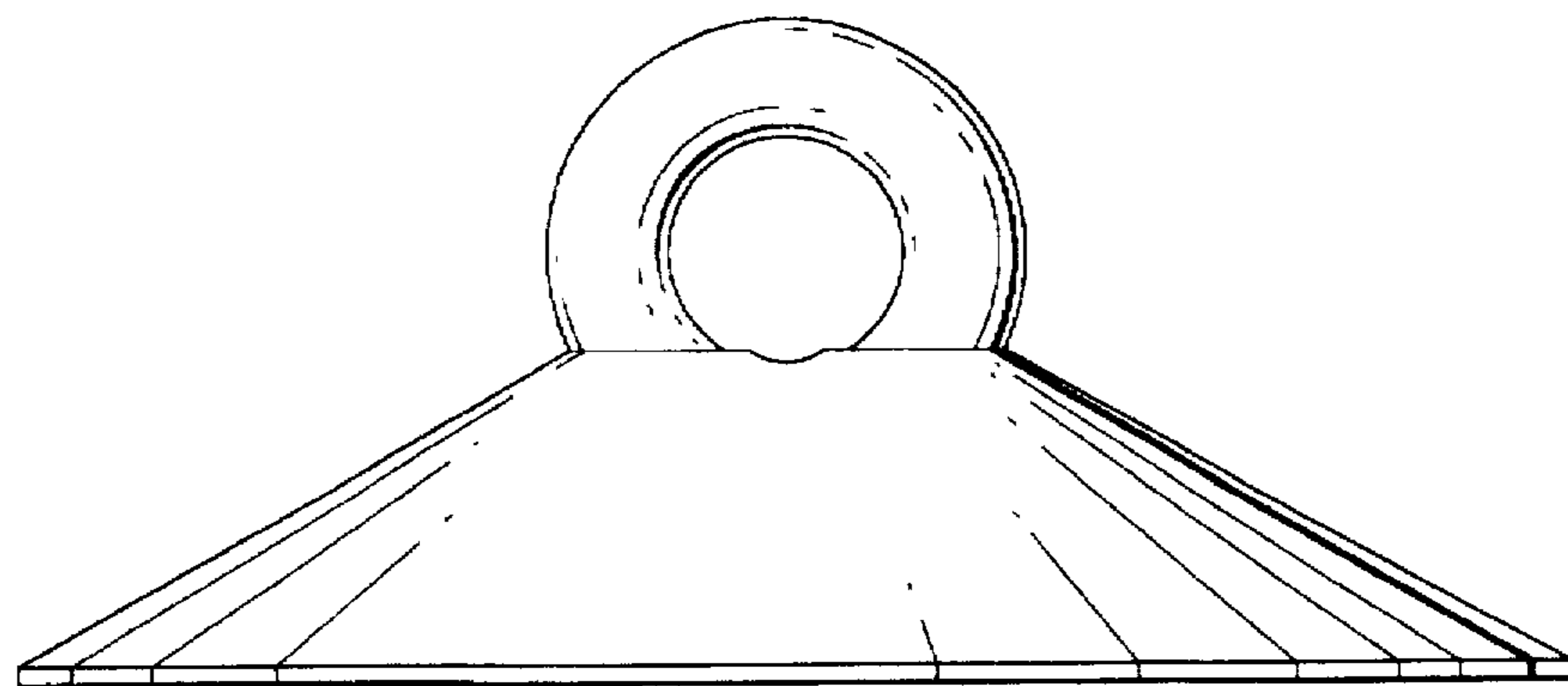
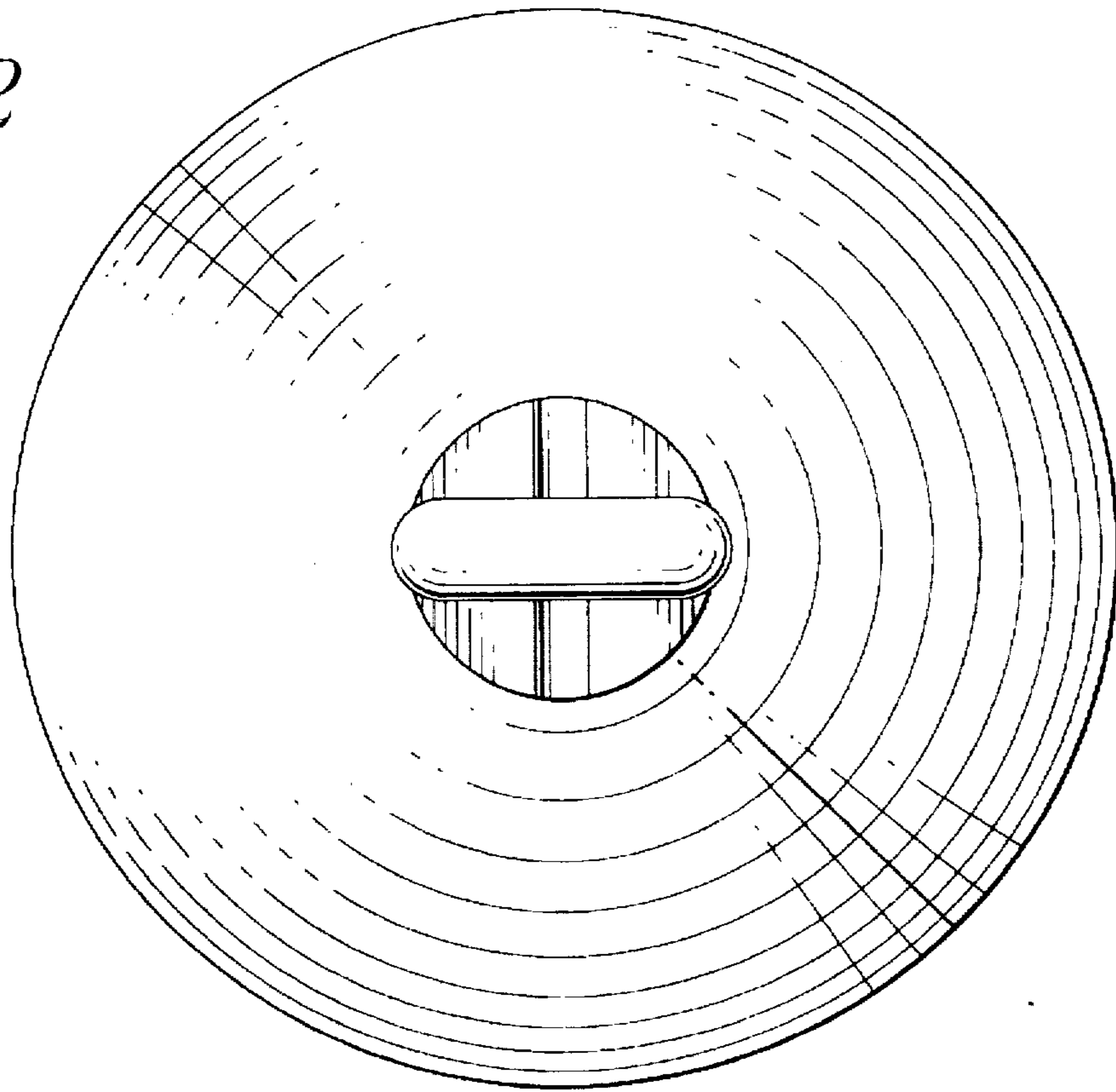


FIG. 3

FIG. 4

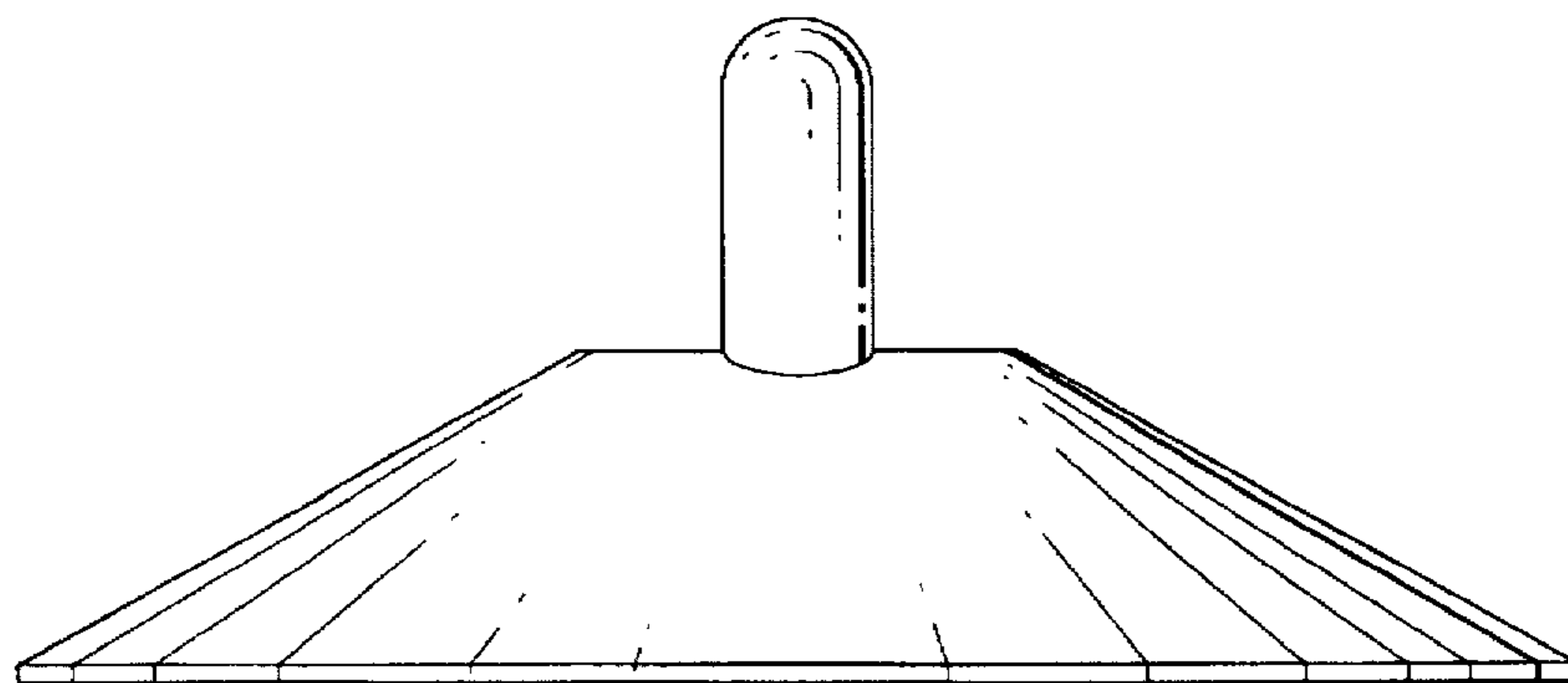
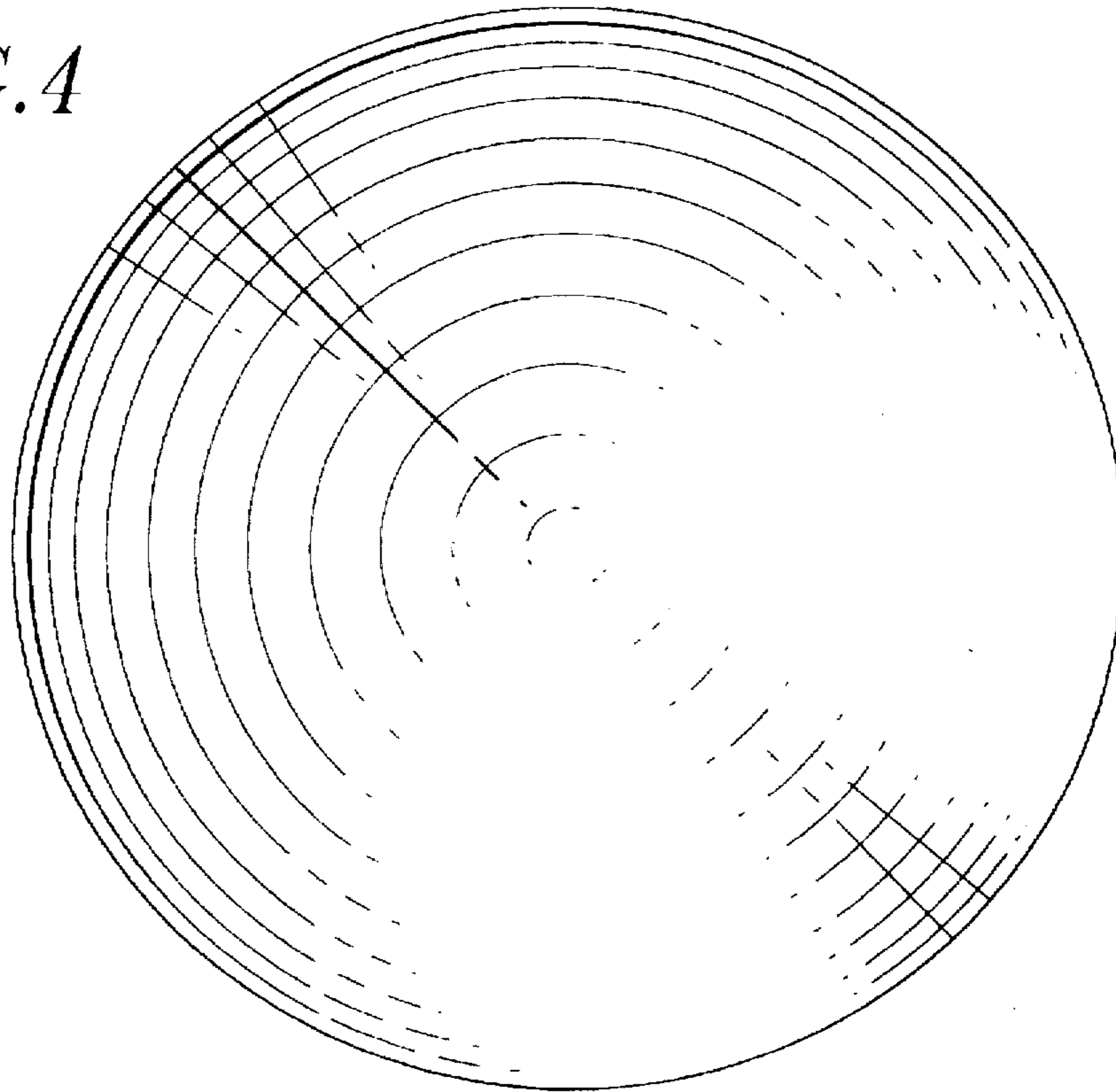


FIG. 5