

US00D391832S

United States Patent [19]
McDaid

[11] **Patent Number:** **Des. 391,832**
[45] **Date of Patent:** ****Mar. 10, 1998**

[54] **MOTORCYCLE DISK LOCK**
[75] **Inventor:** **Cornelius McDaid**, Dorchester, Mass.
[73] **Assignee:** **Kryptonite Corporation**, Canton, Mass.
[**] **Term:** **14 Years**

D359511 1/1994 France .
D206796 5/1993 Taiwan .
D210865 8/1993 Taiwan .
D217274 12/1993 Taiwan .
D218312 12/1993 Taiwan .
D218313 12/1993 Taiwan .

Primary Examiner—Brian N. Vinson
Attorney, Agent, or Firm—Morse, Altman & Benson

[21] **Appl. No.:** **65,391**
[22] **Filed:** **Jan. 27, 1997**

[57] **CLAIM**

The ornamental design for a motorcycle disk lock, as shown and described.

[51] **LOC (6) Cl.** **08-07**
[52] **U.S. Cl.** **D8/333**
[58] **Field of Search** **D8/330, 331, 333-34;**
70/14, 20, 31, 35, 38 R, 237, 259-260,
233, 226

DESCRIPTION

FIG. 1 is an isometric view showing the motorcycle disk lock of my new design;
FIG. 2 is a front elevational view of the motorcycle disk lock of FIG. 1;
FIG. 3 is a top plan view of the motorcycle disk lock of FIG. 1;
FIG. 4 is a bottom plan view of the motorcycle disk lock of FIG. 1;
FIG. 5 is a right side elevational view of the motorcycle disk lock of FIG. 1; and
FIG. 6 is a left side elevational view of the motorcycle disk lock of FIG. 1.
The rear view is a mirror image of the front view.

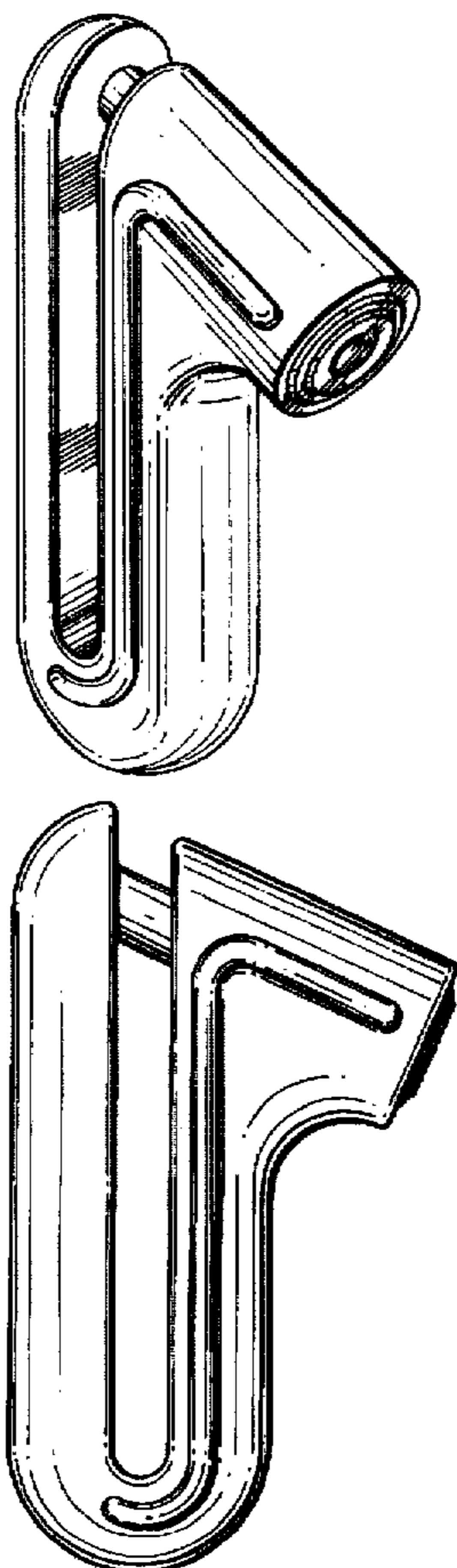
[56] **References Cited**
U.S. PATENT DOCUMENTS

D. 315,090 3/1991 Pedersen D8/334
D. 342,010 12/1993 Lebrecht et al. D8/334
D. 352,223 11/1994 Shieh D8/333
5,499,518 3/1996 Shieh 70/233

FOREIGN PATENT DOCUMENTS

D346366 12/1993 France .
D351489 12/1993 France .
D359509 1/1994 France .
D359510 1/1994 France .

1 Claim, 3 Drawing Sheets



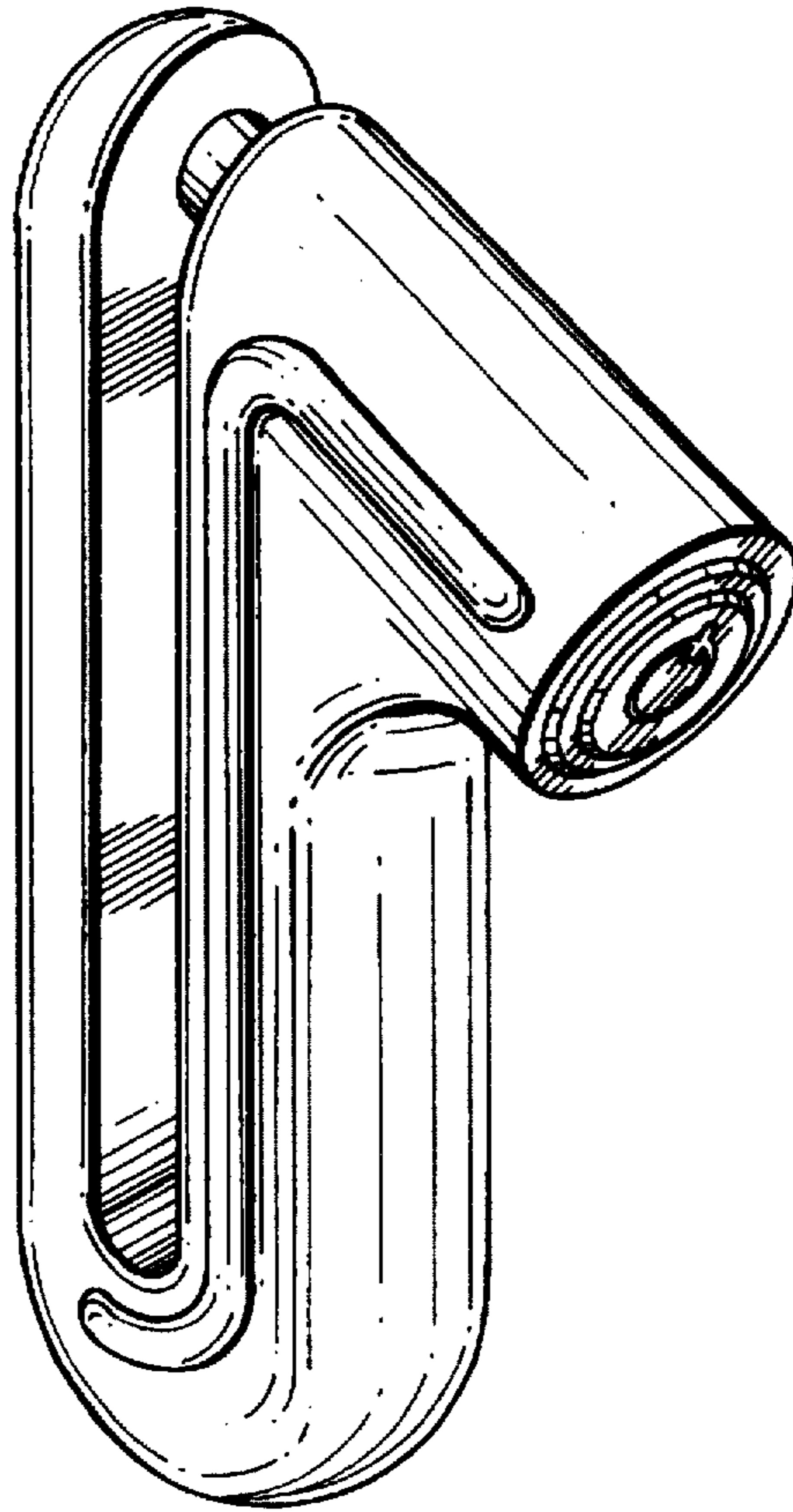


FIG. 1

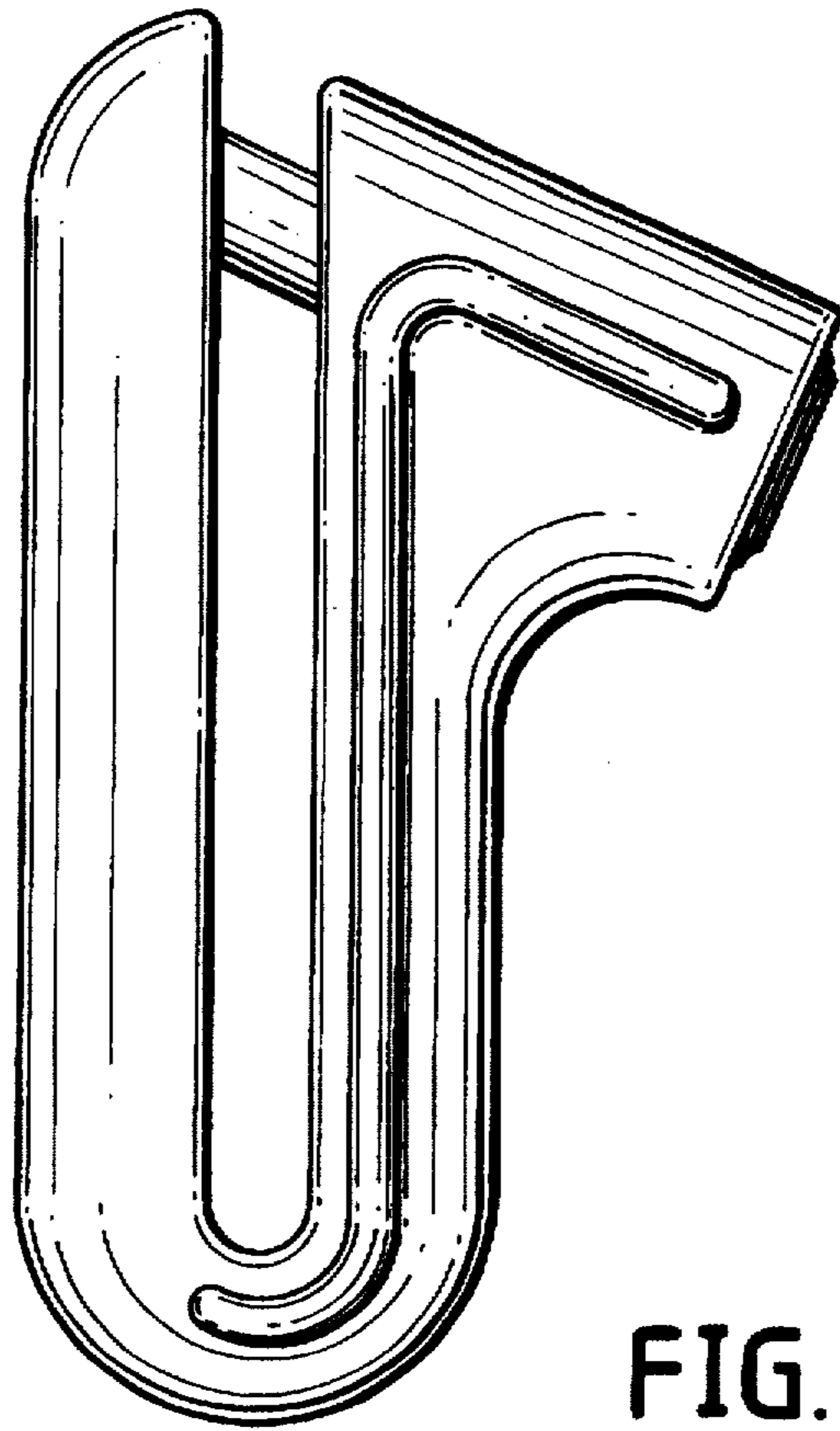


FIG. 2

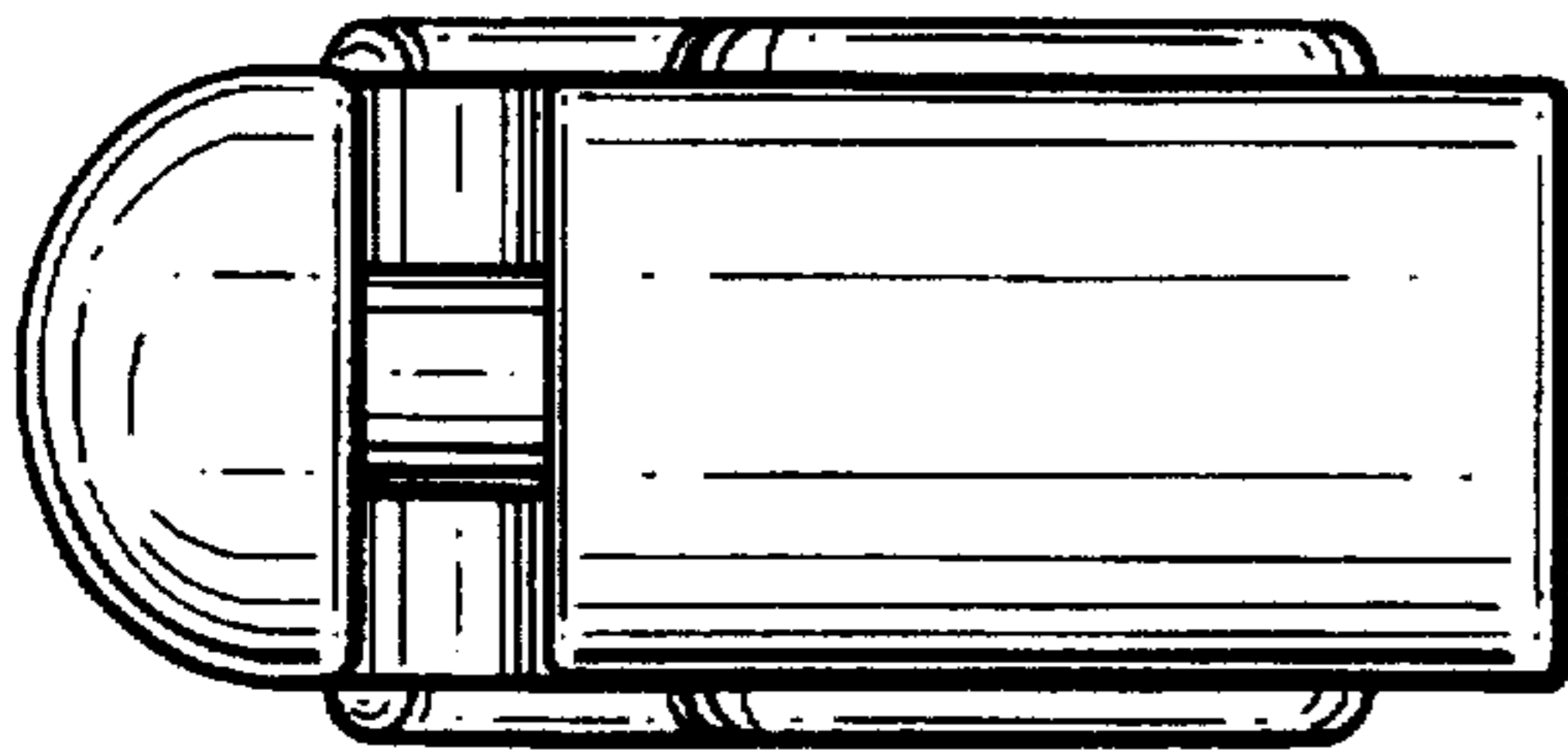


FIG. 3

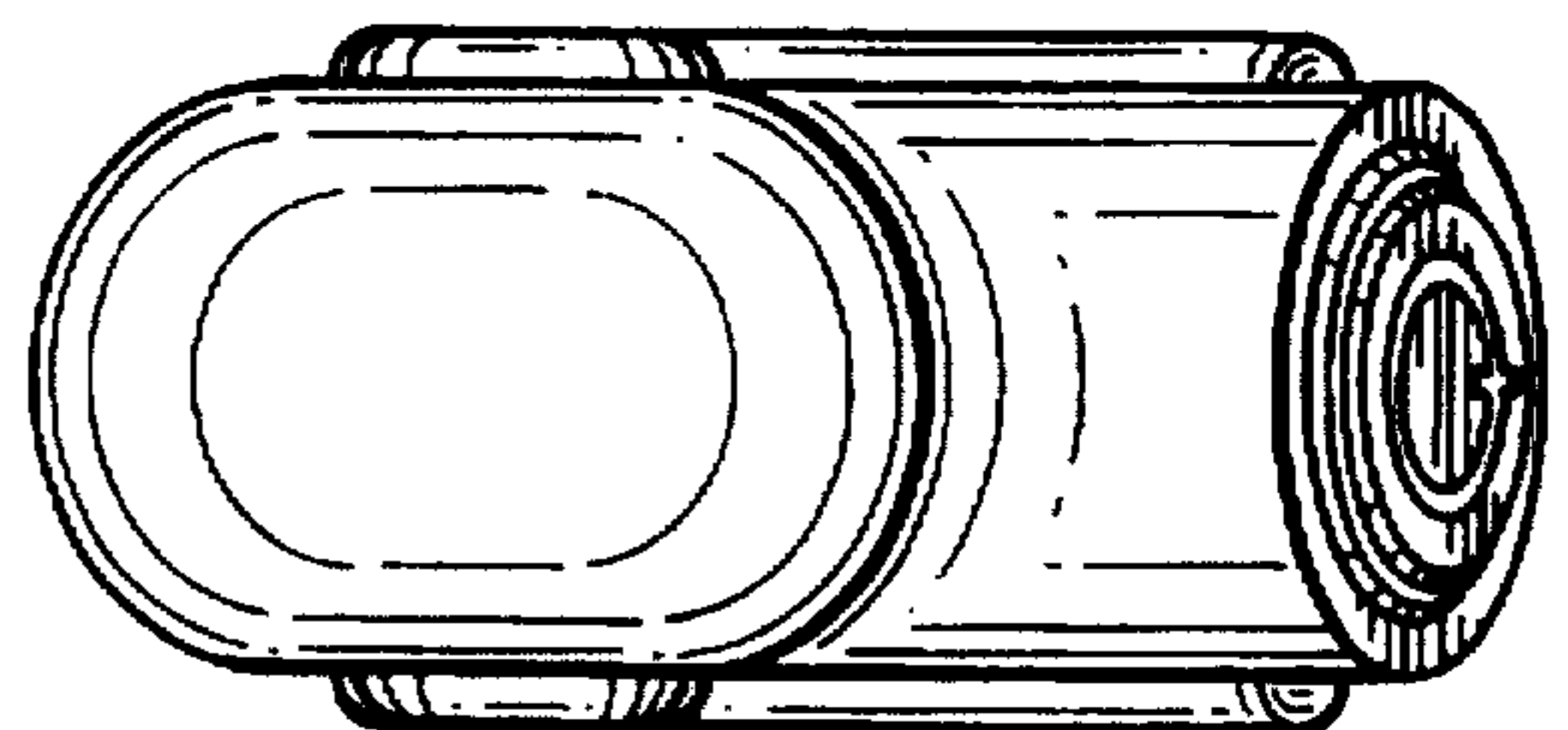


FIG. 4

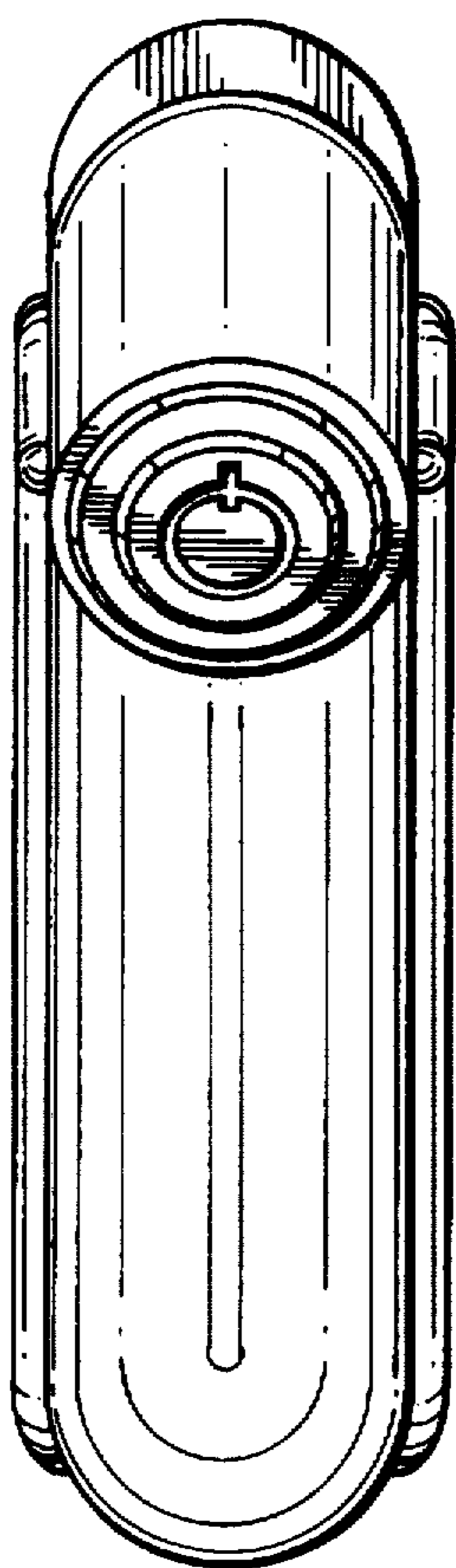


FIG. 5

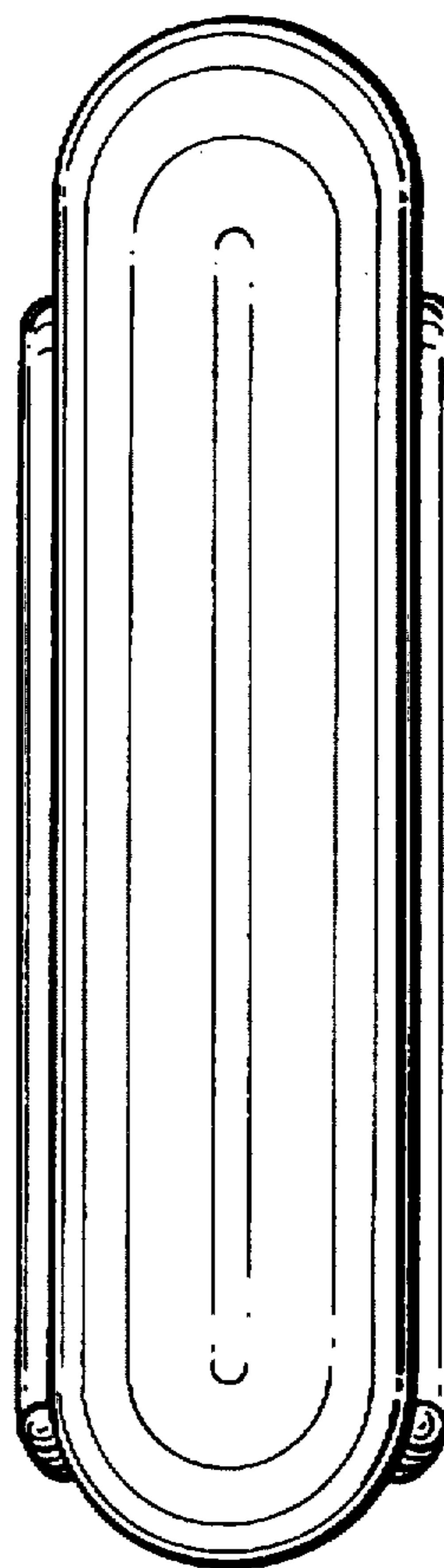


FIG. 6