



US00D391827S

United States Patent [19] Carsello

[11] Patent Number: **Des. 391,827**
[45] Date of Patent: ****Mar. 10, 1998**

[54] **HANDLESET**
[75] Inventor: **Anthony J. Carsello**, Chino, Calif.
[73] Assignee: **Emhart Inc.**, Newark, Del.
[**] Term: **14 Years**
[21] Appl. No.: **58,208**
[22] Filed: **Aug. 9, 1996**
[51] LOC (6) Cl. **08-06**
[52] U.S. Cl. **D8/321; D8/302; D8/320; D8/350**
[58] Field of Search **D8/300, 301, 302, D8/315-320, 350; 16/110 R, 121; 292/357**

1,026,233 5/1912 Zacsek .
1,059,952 4/1913 Spooner .
1,810,350 6/1931 Hines .
3,287,054 11/1966 Russell et al. .

OTHER PUBLICATIONS

Kwikset Cat.; ©1985; p. 8; Diplomat handleset.
Sageo Cat. 37; ©1937; p. 335; Handle No. WS4290.

Primary Examiner—B. J. Bullock
Attorney, Agent, or Firm—Spencer T. Smith

[57] CLAIM

The ornamental design for the handleset, as shown and described.

DESCRIPTION

FIG. 1 is an oblique view of a handleset, the milk pitcher handle shown in broken lines forms no part of the claimed design;

FIG. 2 is an enlarged left side view of FIG. 1, the right side being a mirror image;

FIG. 3 is front view of FIG. 2;

FIGS. 4 and 5 are top and bottom views of FIG. 2, respectively;

FIG. 6 is an enlarged front view of the circled area in FIG. 3;

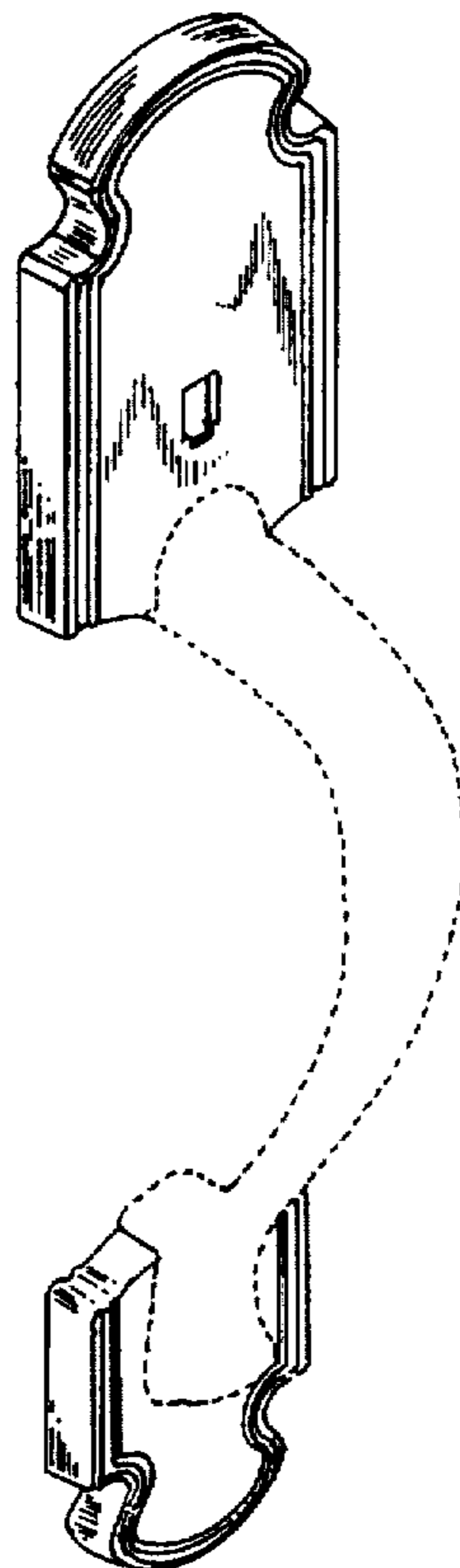
FIG. 7 is an enlarged fragmentary cross sectional view taken on line 7—7 of FIG. 6 shown at a 45° angle; and,

FIG. 8 is an enlarged fragmentary cross sectional view taken on line 8—8 of FIG. 3.

[56] References Cited U.S. PATENT DOCUMENTS

- D. 43,561 2/1913 Weiser .
- D. 140,760 4/1945 Borchers .
- D. 175,886 10/1955 Grodt et al. .
- D. 212,685 11/1968 Deadrick .
- D. 223,991 6/1972 Gerlach .
- D. 223,992 6/1972 Gerlach .
- D. 246,501 11/1977 Clayton .
- D. 260,360 8/1981 Meisner .
- D. 260,361 8/1981 Meisner .
- D. 300,203 3/1989 Halsted et al. .
- D. 302,103 7/1989 Halsted et al. .
- D. 303,489 9/1989 Halsted et al. .
- D. 348,200 6/1994 Carsello .
- D. 361,706 8/1995 Carsello .
- 408,974 8/1889 Hoffman, Jr. .

1 Claim, 1 Drawing Sheet



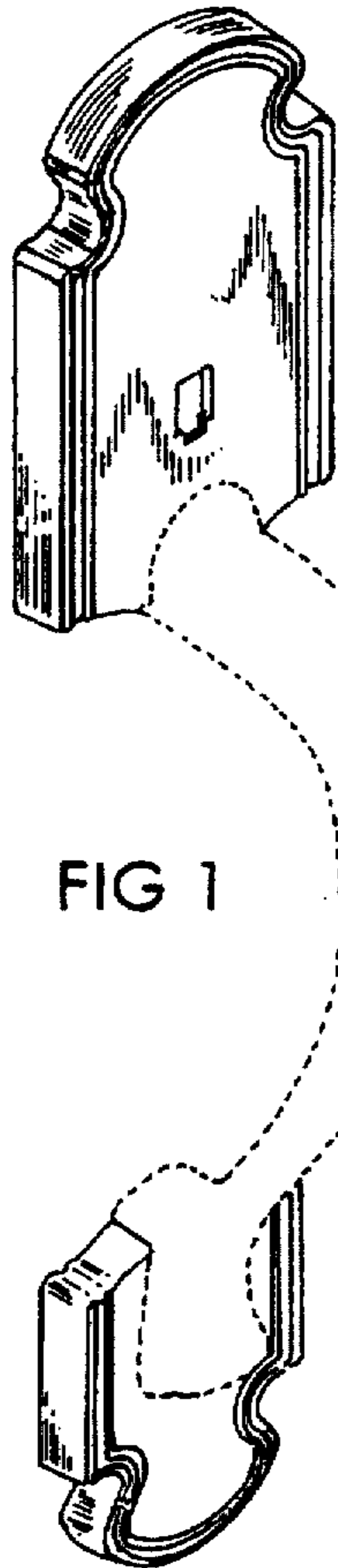


FIG 1

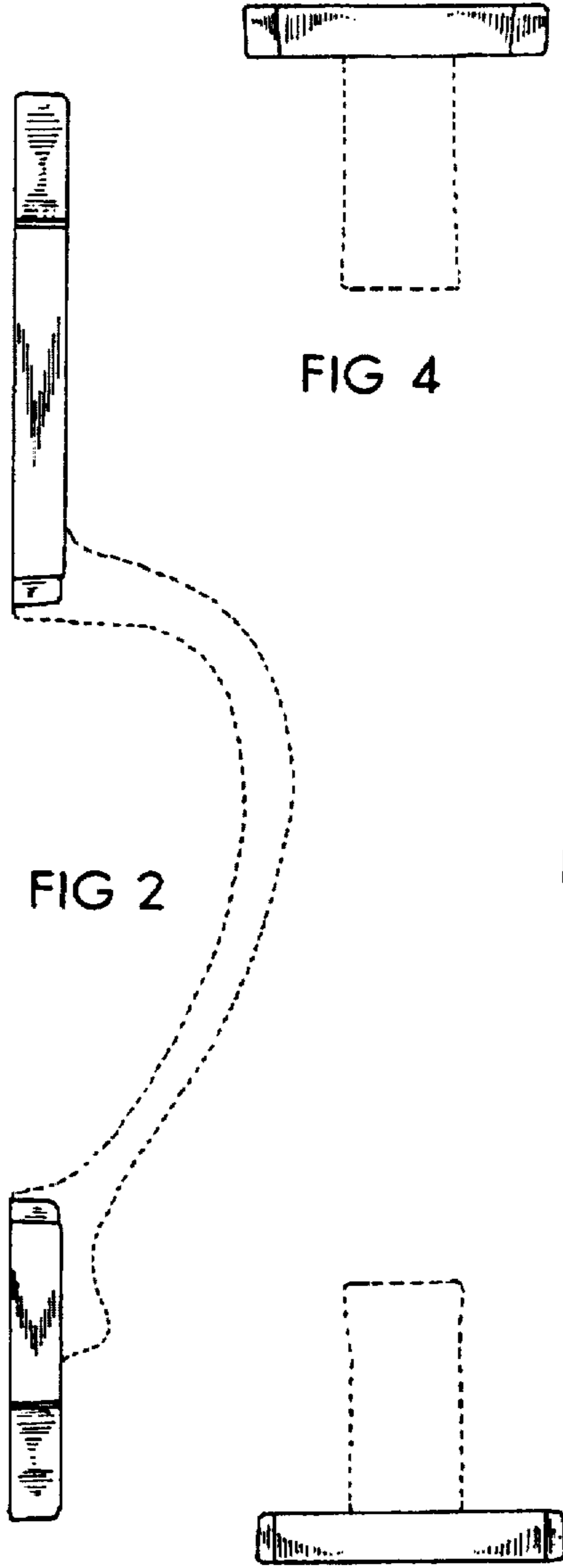


FIG 2

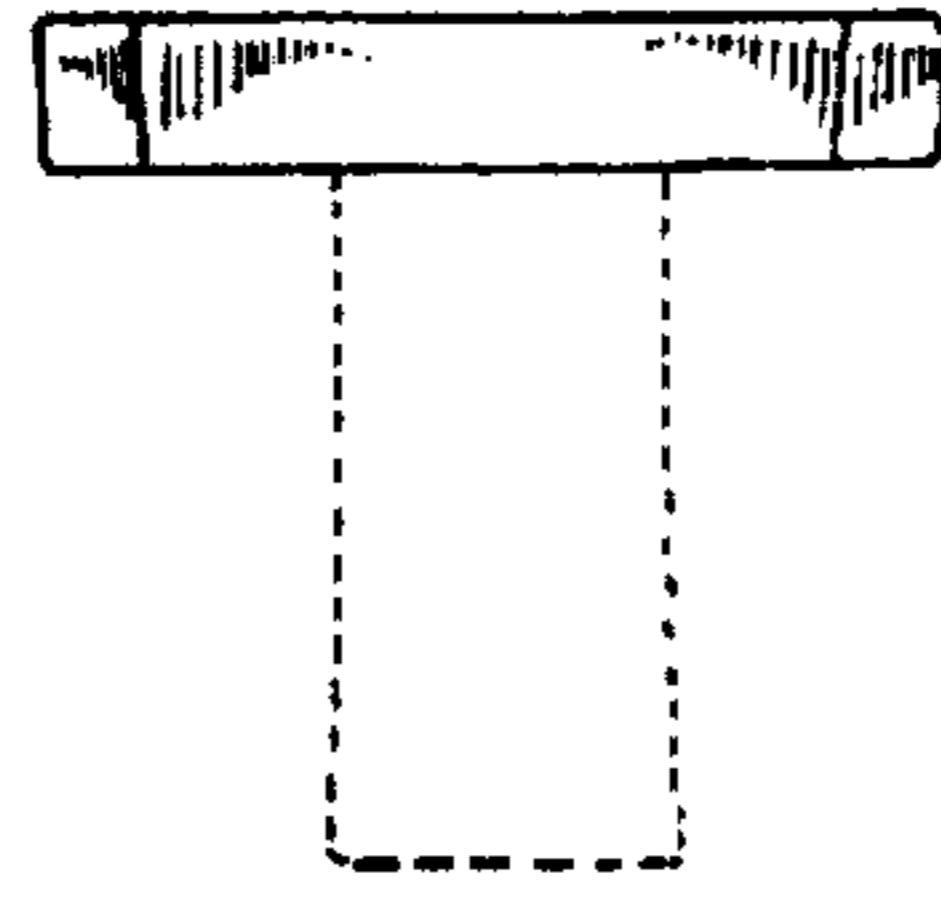


FIG 4

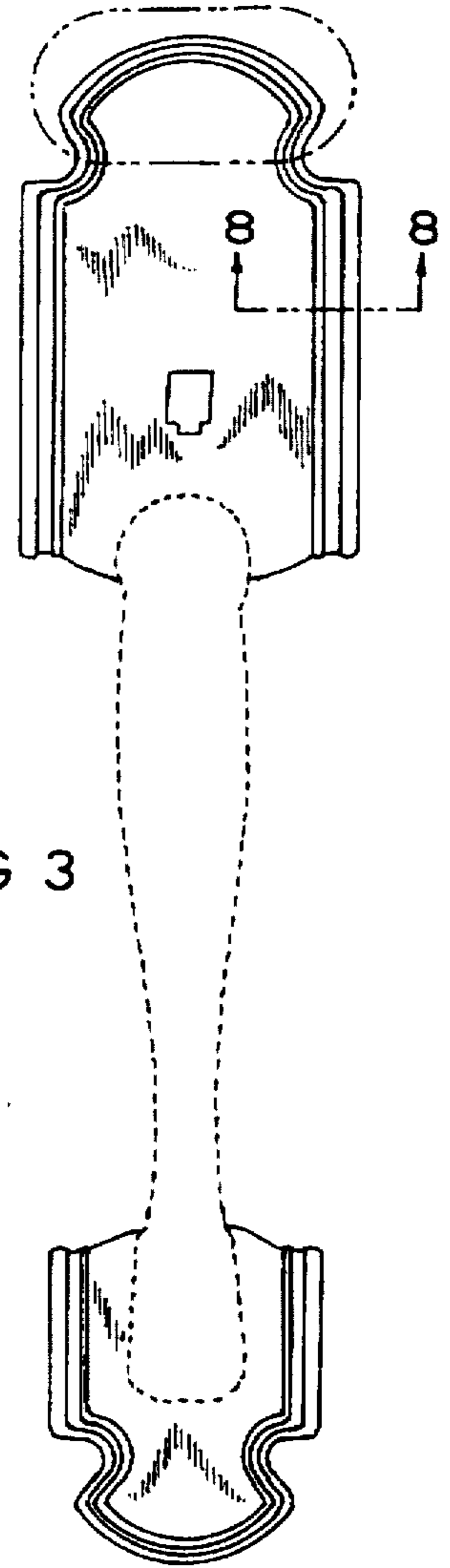


FIG 3

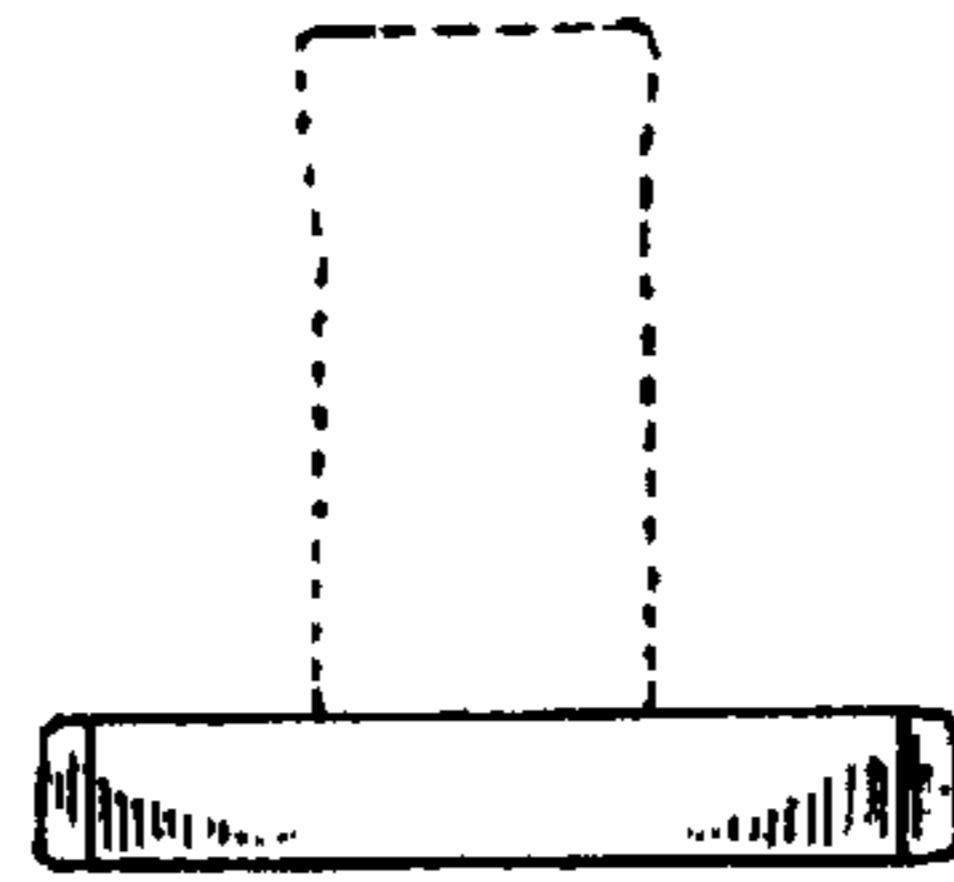


FIG 5

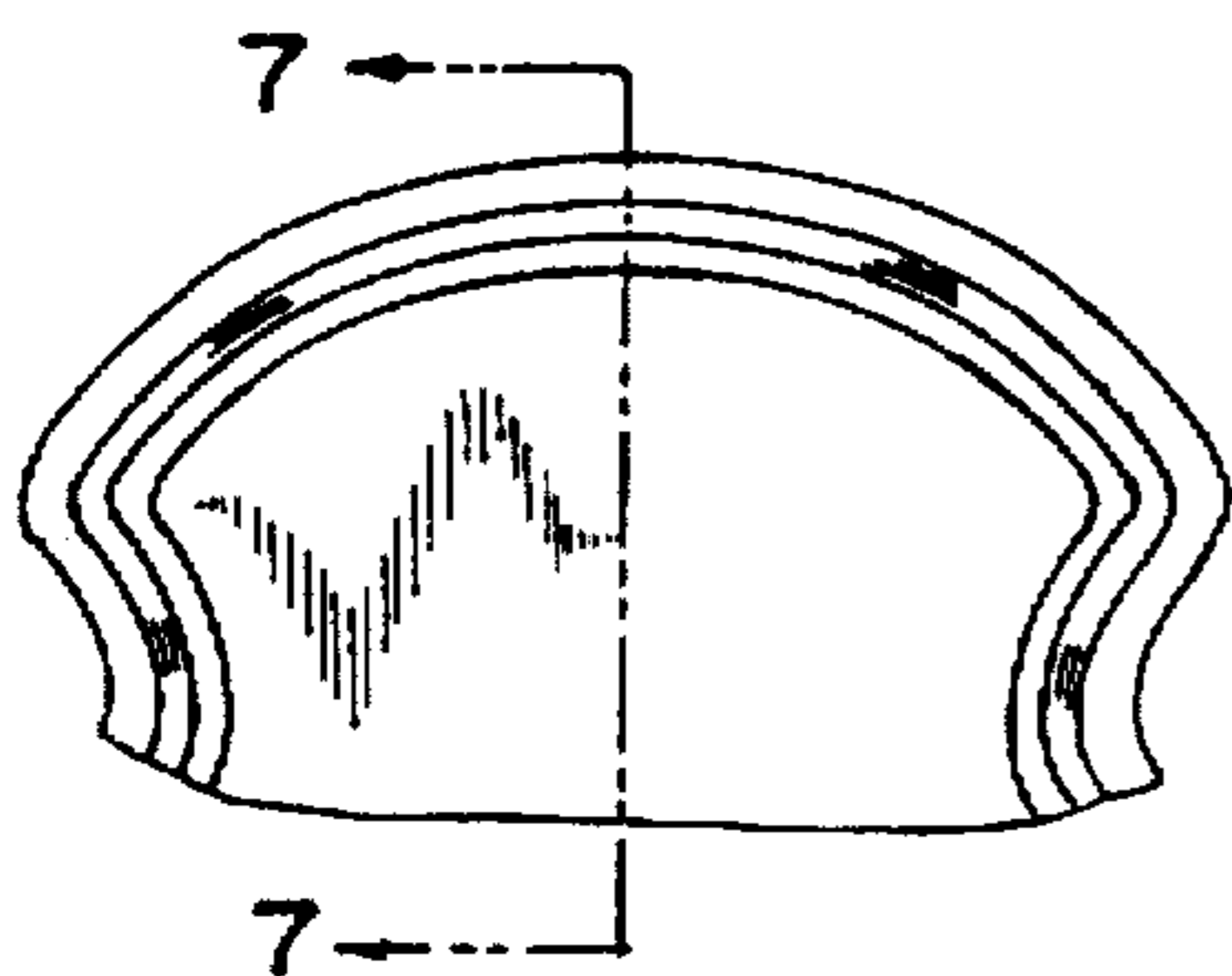


FIG 6



FIG 7

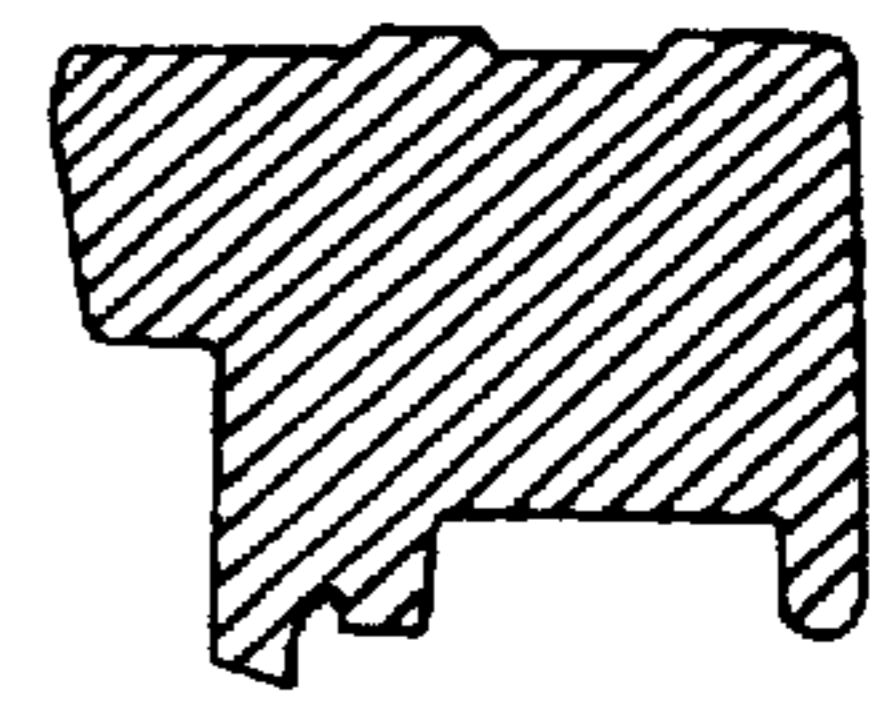


FIG 8