



US00D391824S

United States Patent [19] Larson

[11] Patent Number: **Des. 391,824**
[45] Date of Patent: ****Mar. 10, 1998**

[54] BICYCLE HANDLE SHIFTER GRIP

[75] Inventor: **Michael W. Larson, Chicago, Ill.**
[73] Assignee: **SRAM Corporation, Chicago, Ill.**
[**] Term: **14 Years**

[21] Appl. No.: **61,913**
[22] Filed: **Nov. 1, 1996**

Related U.S. Application Data

[62] Division of Ser. No. 30,496, Oct. 31, 1994.
[51] LOC (6) Cl. **08-06**
[52] U.S. Cl. **D8/303**
[58] Field of Search **D8/303, 300; D12/179;**
74/551.8; 16/170 R, 110.5, 111 R, DIG. 12

[56] References Cited

U.S. PATENT DOCUMENTS

D. 313,770 1/1991 Bulgeri D11/3
D. 319,770 9/1991 Borromeo D8/303
D. 337,859 7/1993 Rommerdale D28/62
D. 361,695 8/1995 Sutker D7/401.2
3,713,350 1/1973 Brilando 74/551.9
4,308,762 1/1982 Jannard 74/551.9
4,895,044 1/1990 Ekins 74/551.9
5,097,566 3/1992 Decker et al. 16/111 R
5,145,210 9/1992 Lennon 280/281.1

FOREIGN PATENT DOCUMENTS

0523237 10/1992 European Pat. Off. .
485145 2/1959 France .
688541 2/1940 Germany .
9317875 10/1994 Germany .
19602 of 1893 United Kingdom .
122270 1/1919 United Kingdom .

OTHER PUBLICATIONS

SRAM Corporation, Grip Cover, 1982.

Primary Examiner—Melody N. Brown
Attorney, Agent, or Firm—Jefferson Perkins

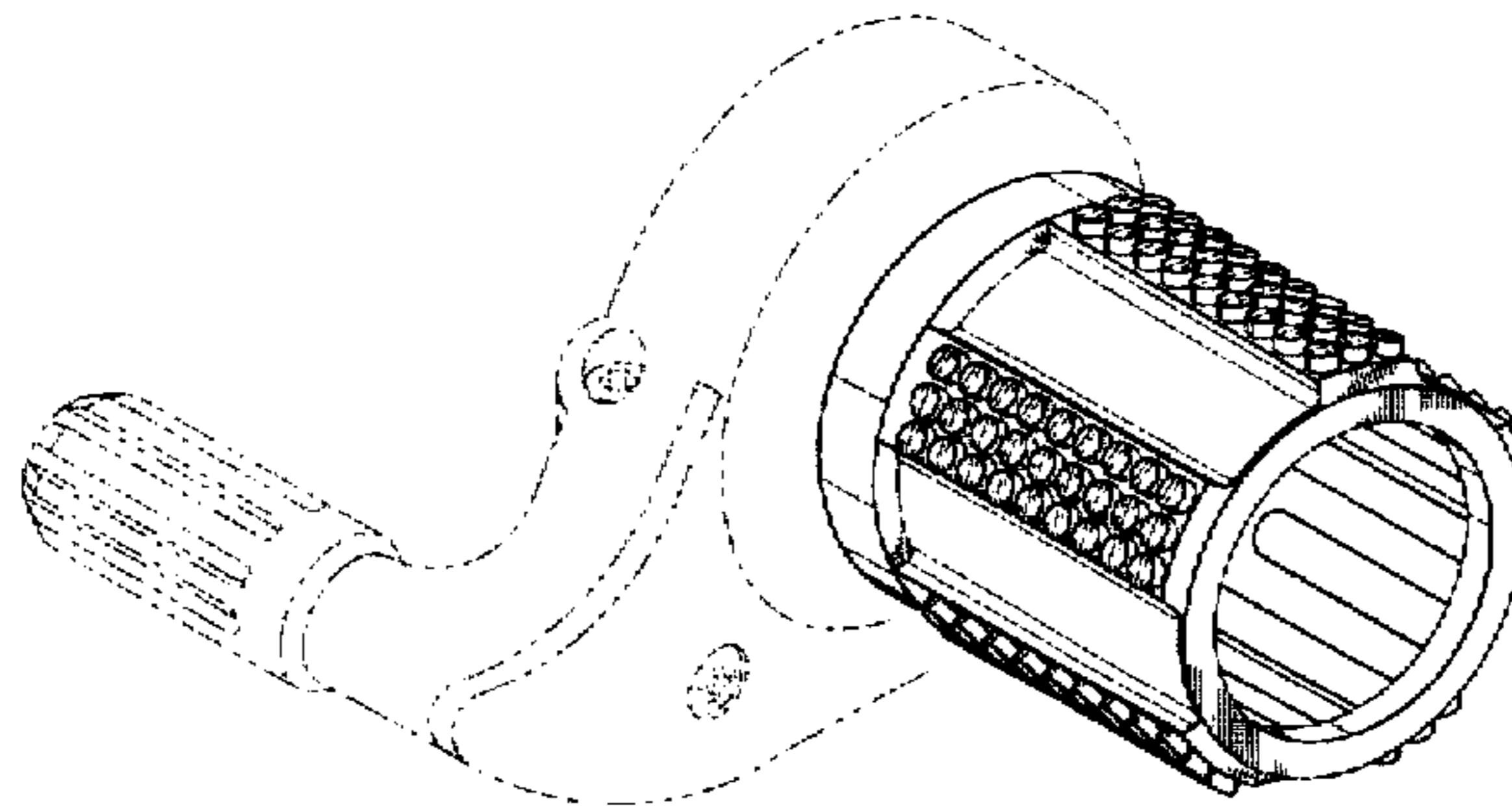
[57] CLAIM

The ornamental design for a bicycle handle shifter grip, as shown and described.

DESCRIPTION

FIG. 1 is a perspective view of a bicycle handle shifter grip showing my new design;
FIG. 2 is a side elevational view thereof, all other sides being a mirror image of that shown; and,
FIG. 3 is an end elevational view thereof, the opposite end being flat and unornamented.
The broken lines shown in FIG. 1 are for illustrative purposes only and form no part of the claimed design.

1 Claim, 2 Drawing Sheets



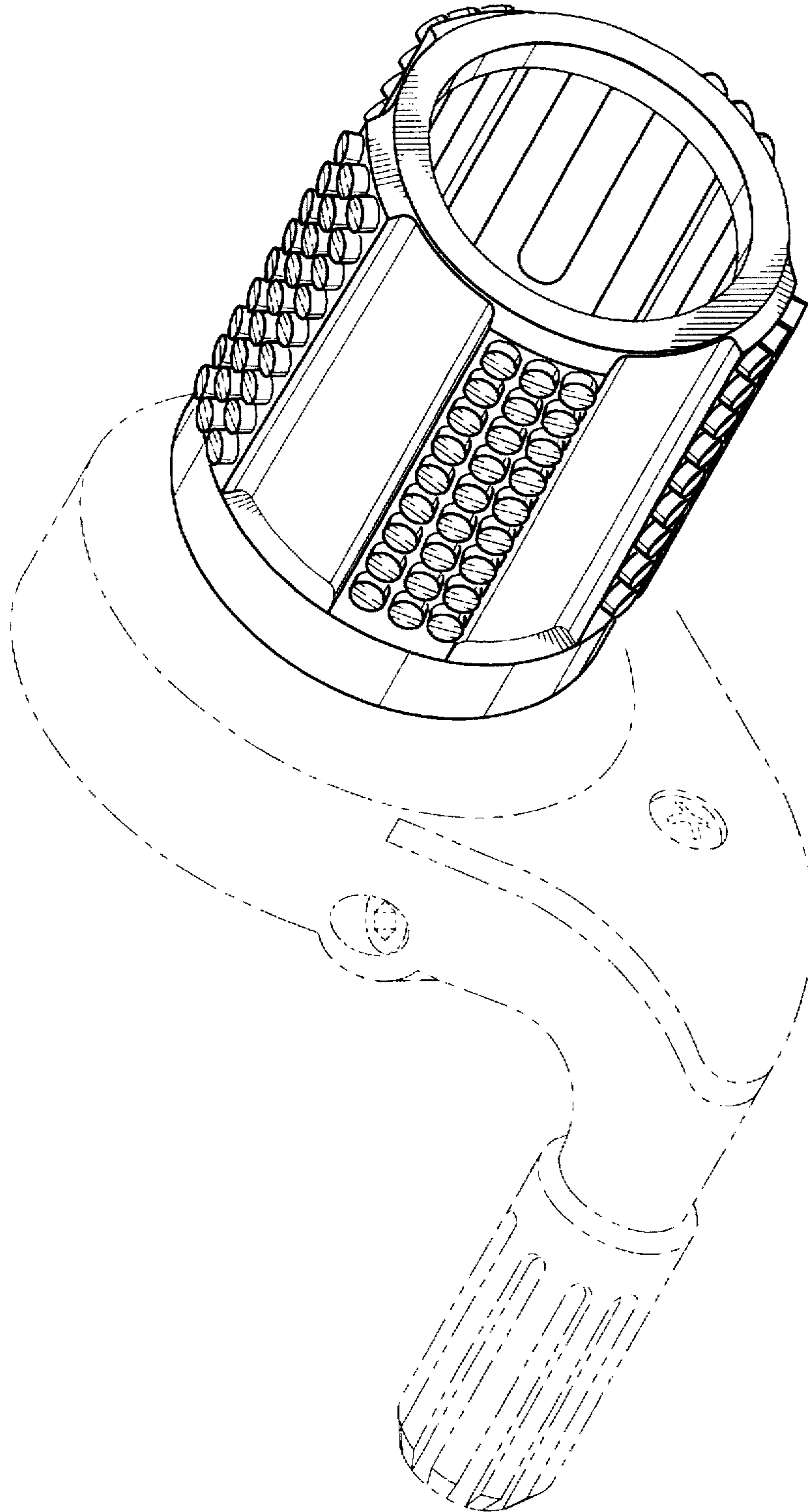


FIG. 1

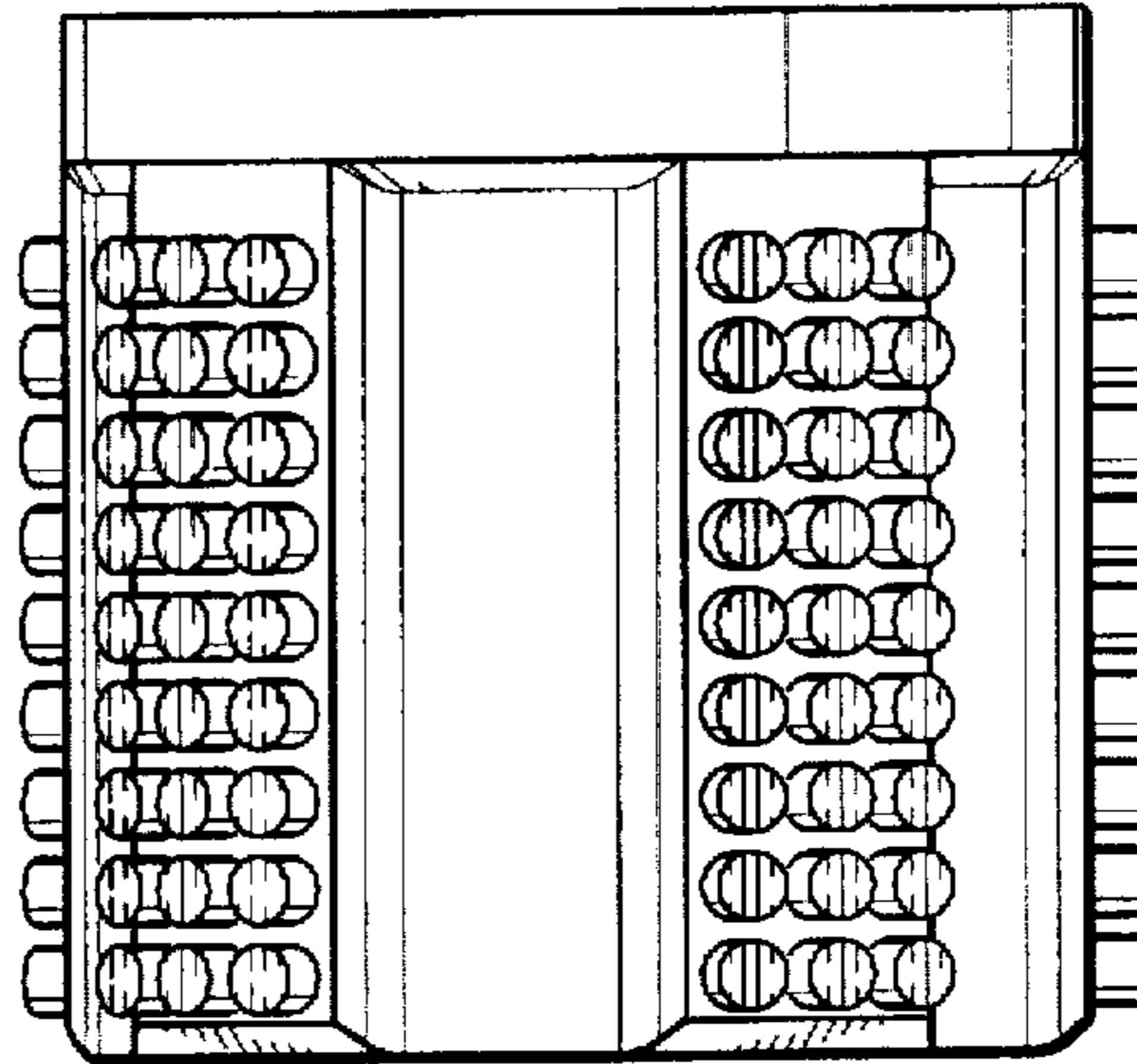


FIG. 2

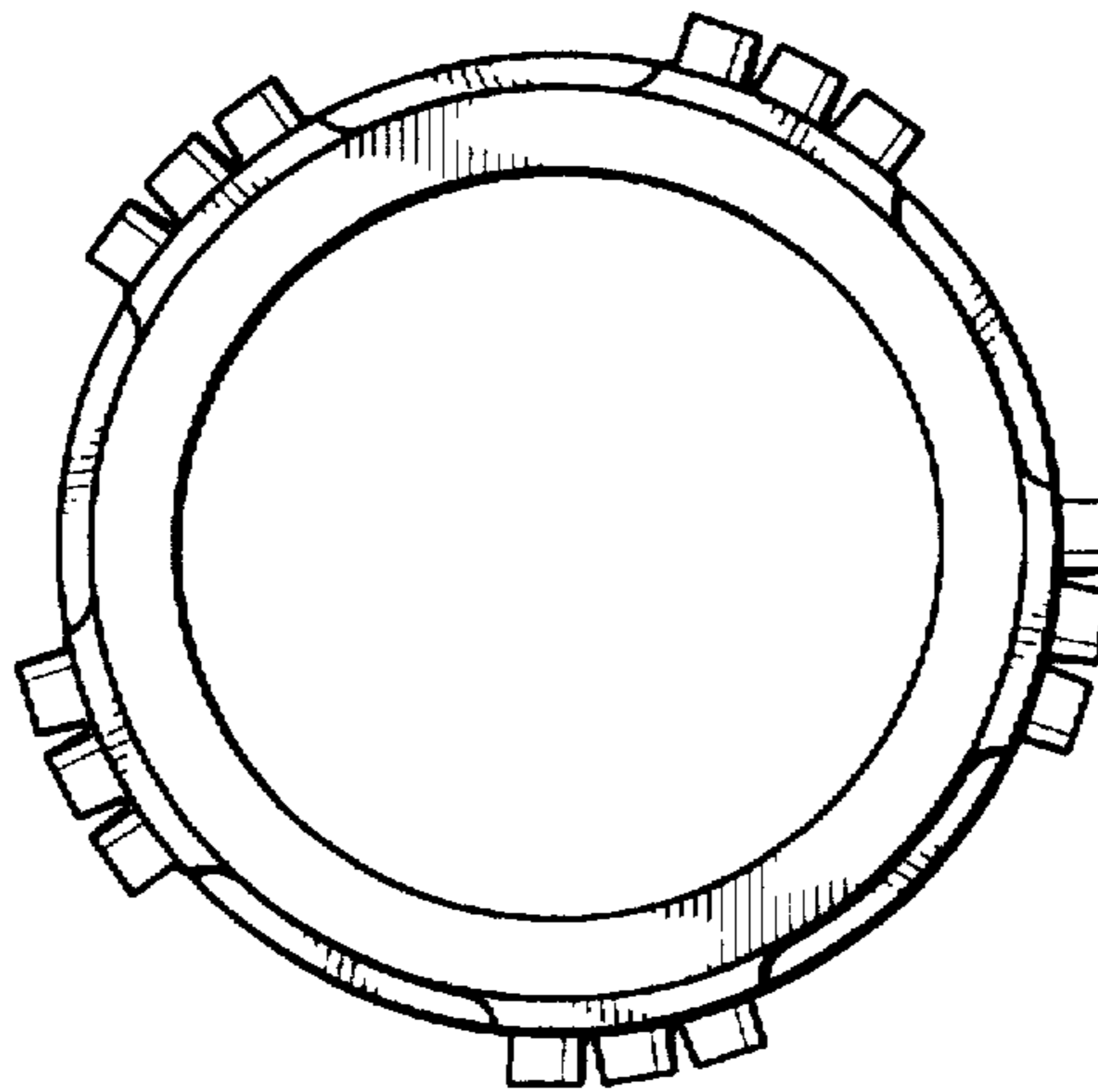


FIG. 3