

US00D391822S

# United States Patent [19]

Applebaum

[11] Patent Number: **Des. 391,822**

[45] Date of Patent: **\*\*Mar. 10, 1998**

[54] **PHOTOGRAPH CUTTER**

4,957,235 9/1990 Beno et al. .... 83/607  
5,320,011 6/1994 Lee ..... 83/607

[76] Inventor: **Richard M. Applebaum**, 21 Maitland Grove Rd., Maitland, Fla. 32751

*Primary Examiner*—Philip S. Hyder  
*Attorney, Agent, or Firm*—William M. Hobby, III

[\*\*] Term: **14 Years**

[57] **CLAIM**

[21] Appl. No.: **68,268**

The ornamental design for a photograph cutter, as shown and described.

[22] Filed: **Mar. 24, 1997**

**DESCRIPTION**

[51] LOC (6) Cl. .... **08-03**

[52] U.S. Cl. .... **D8/98**

[58] Field of Search ..... D8/98, 51; D19/72;  
83/37, 607, 608, 609, 584, 468

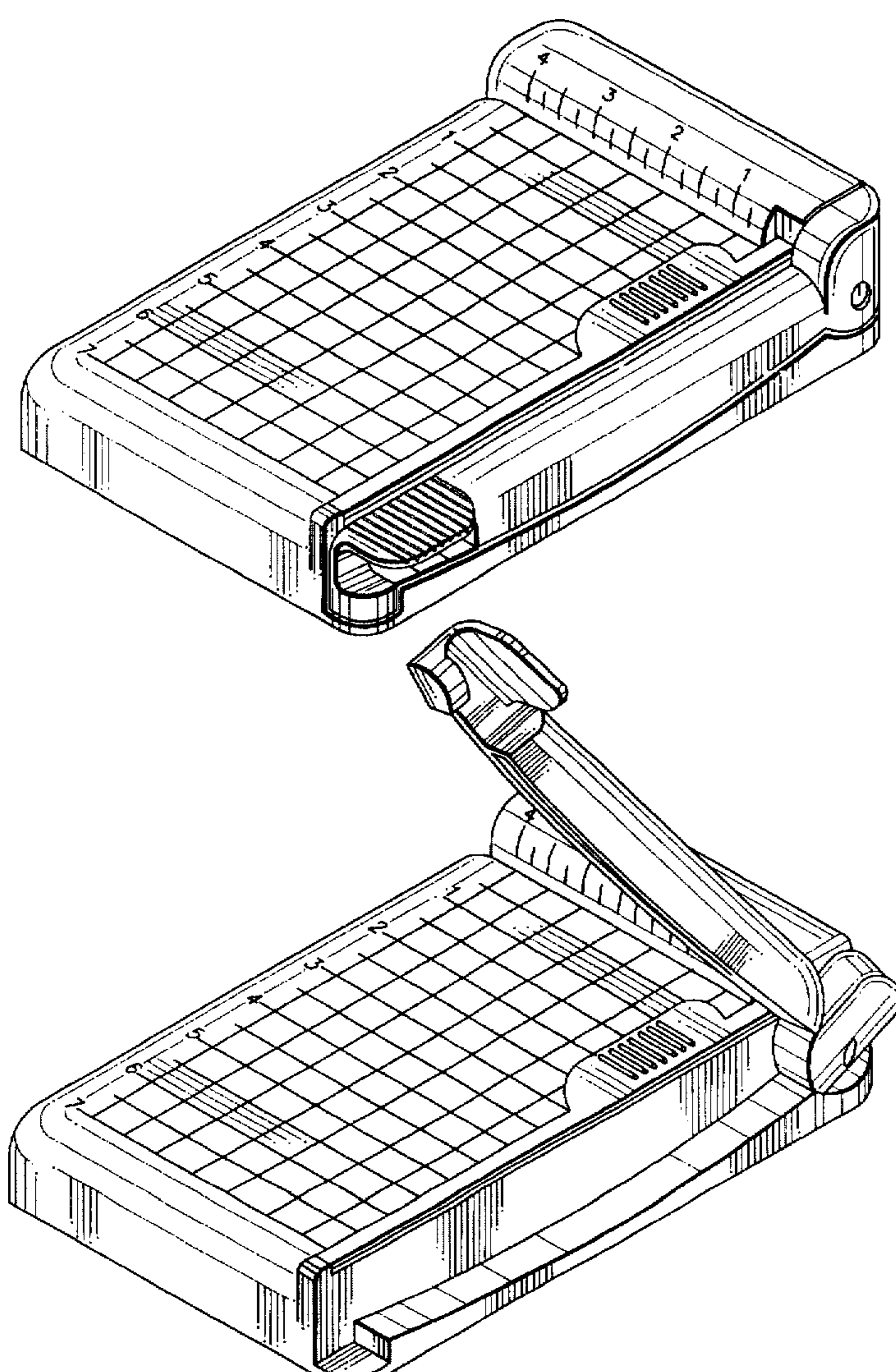
FIG. 1 is a top, front and right side perspective view of my new photograph cutter;  
FIG. 2 is a top, front and right side perspective view having the cutter arm raised;  
FIG. 3 is a top plan view;  
FIG. 4 is a bottom plan view;  
FIG. 5 is a rear elevation view;  
FIG. 6 is a front elevation view;  
FIG. 7 is a right side elevation view; and,  
FIG. 8 is a left side elevation view.

[56] **References Cited**

**U.S. PATENT DOCUMENTS**

2,185,985	1/1940	Lund	83/607
3,089,373	5/1963	Fisher et al.	83/607
3,792,636	2/1974	Pottern	83/607
4,494,430	1/1985	Bautista et al.	83/607
4,957,025	9/1990	Beno	83/607

**1 Claim, 2 Drawing Sheets**



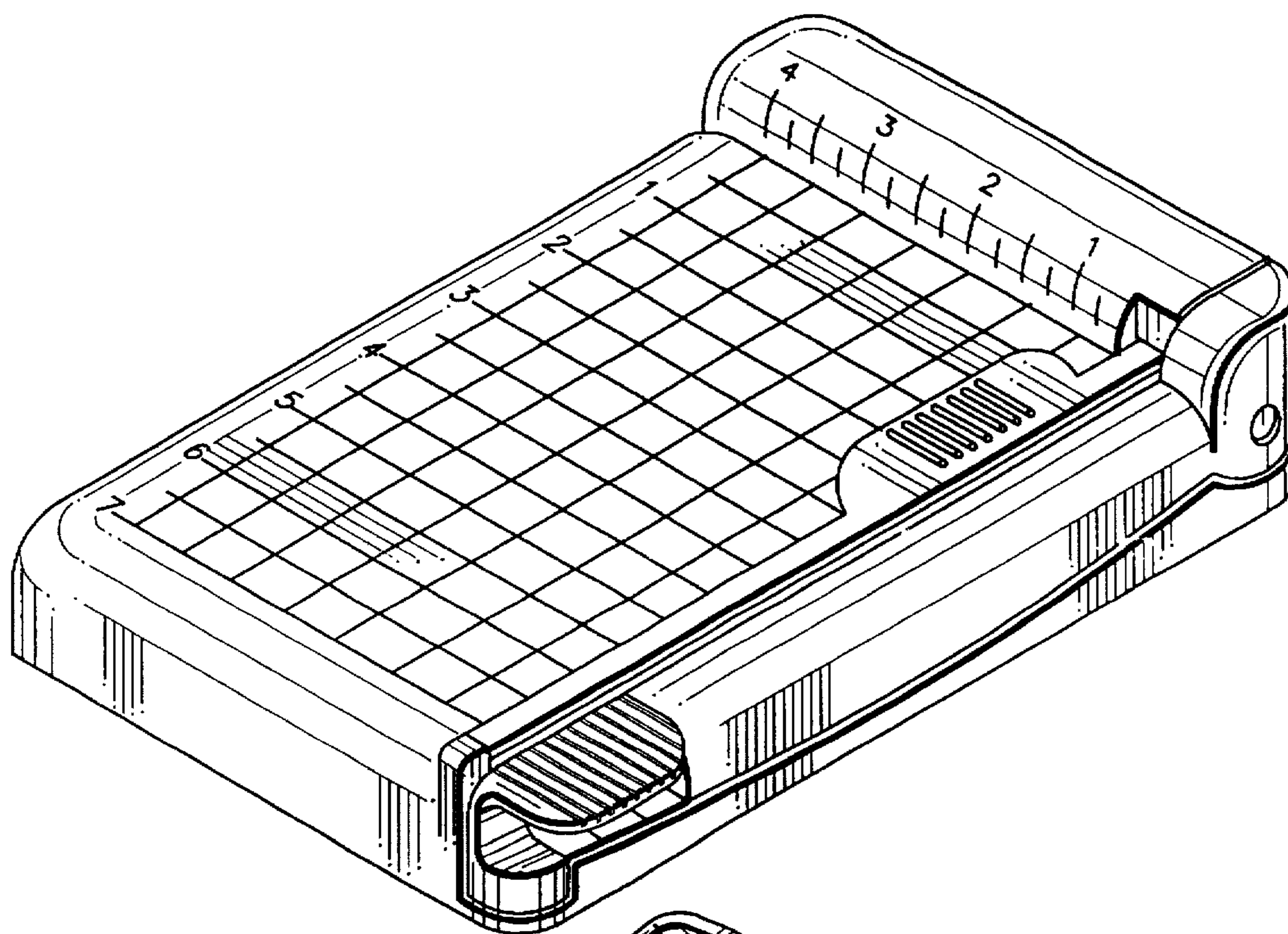


FIG. 1

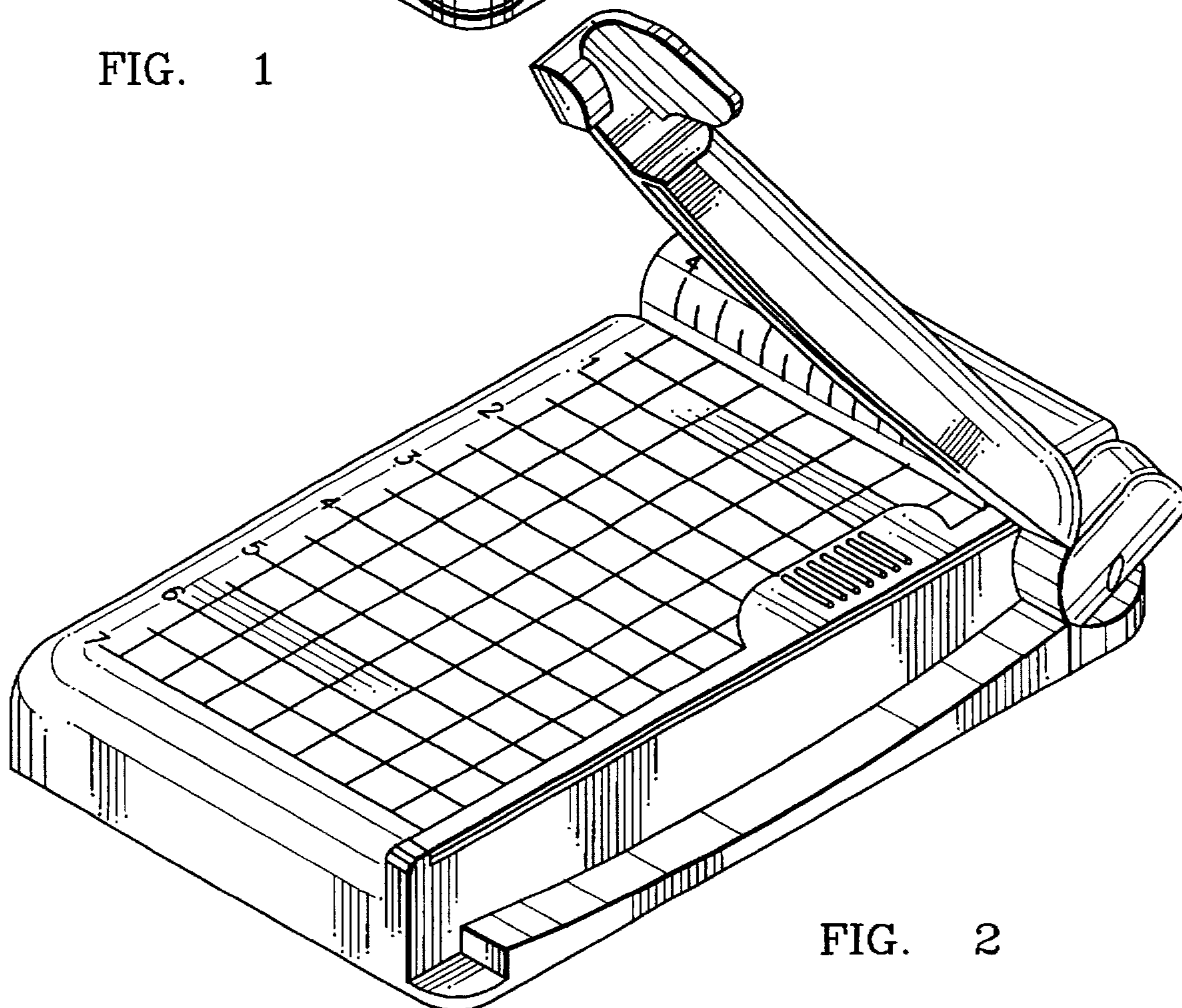


FIG. 2

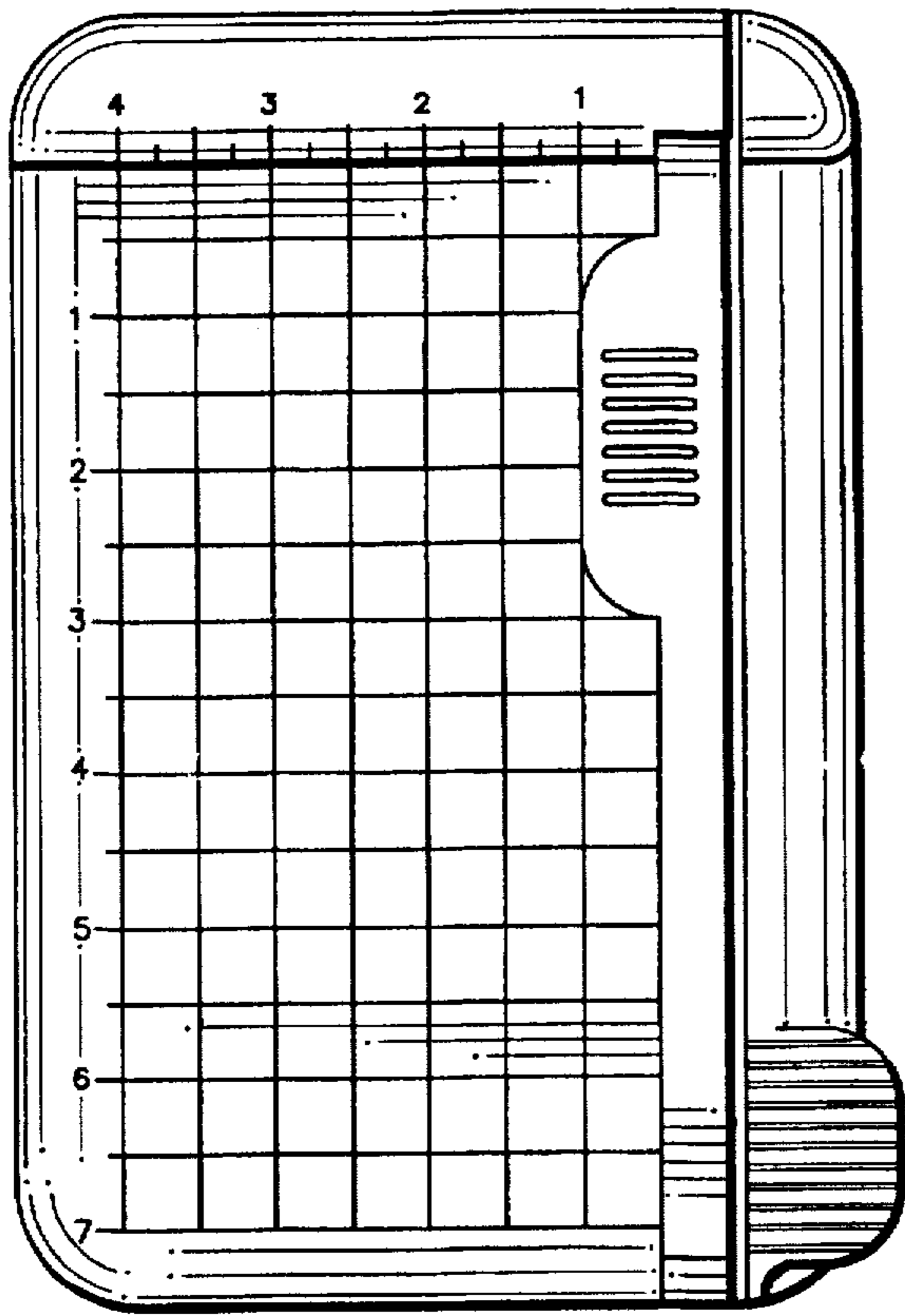


FIG. 3

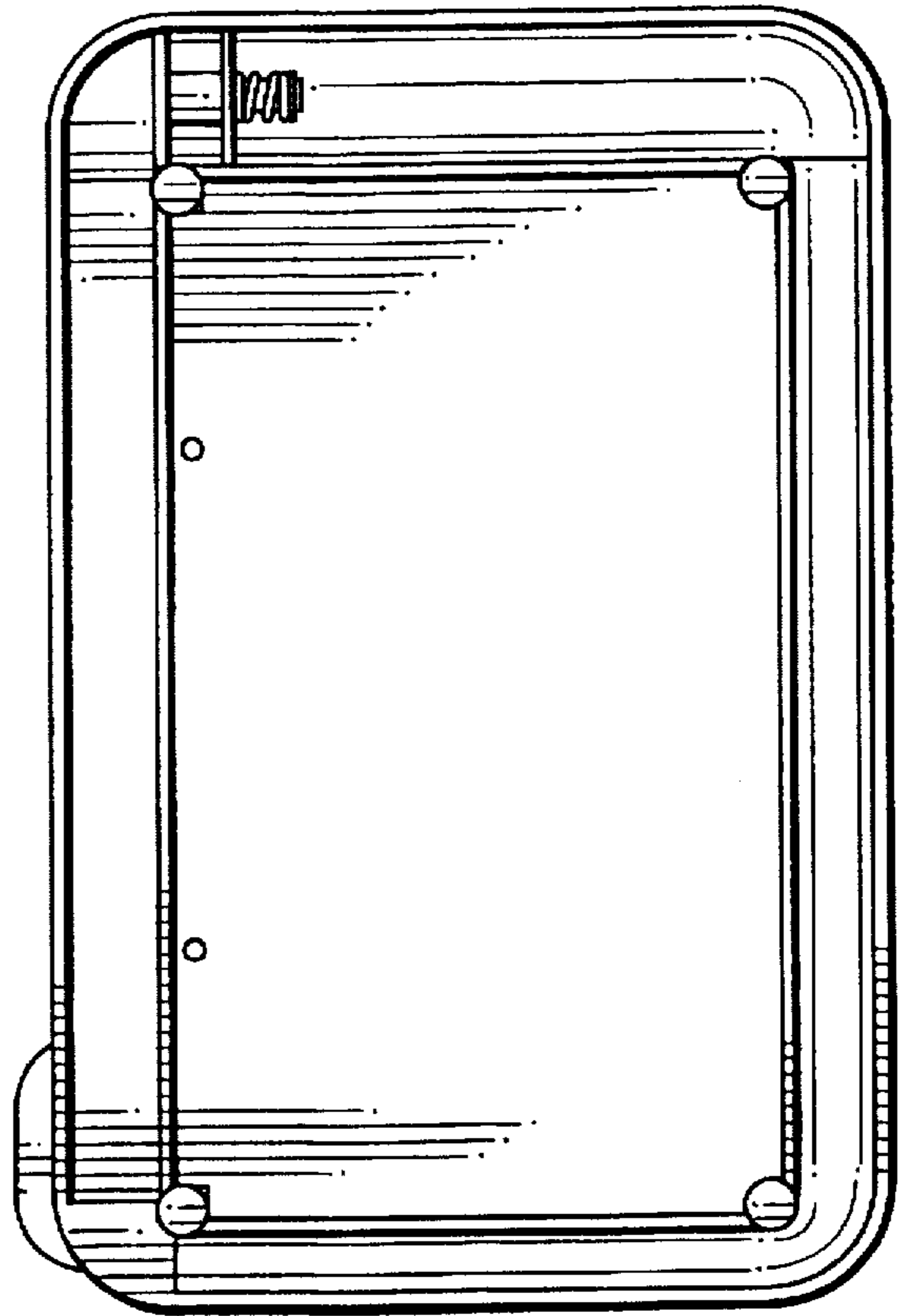


FIG. 4

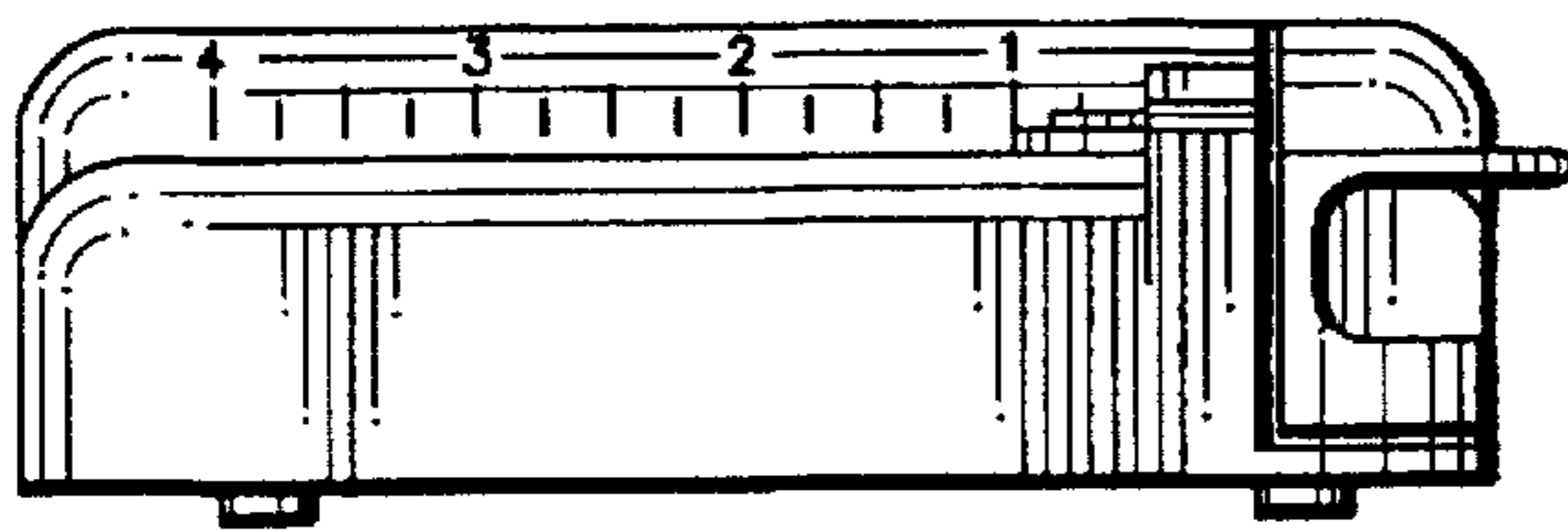


FIG. 6

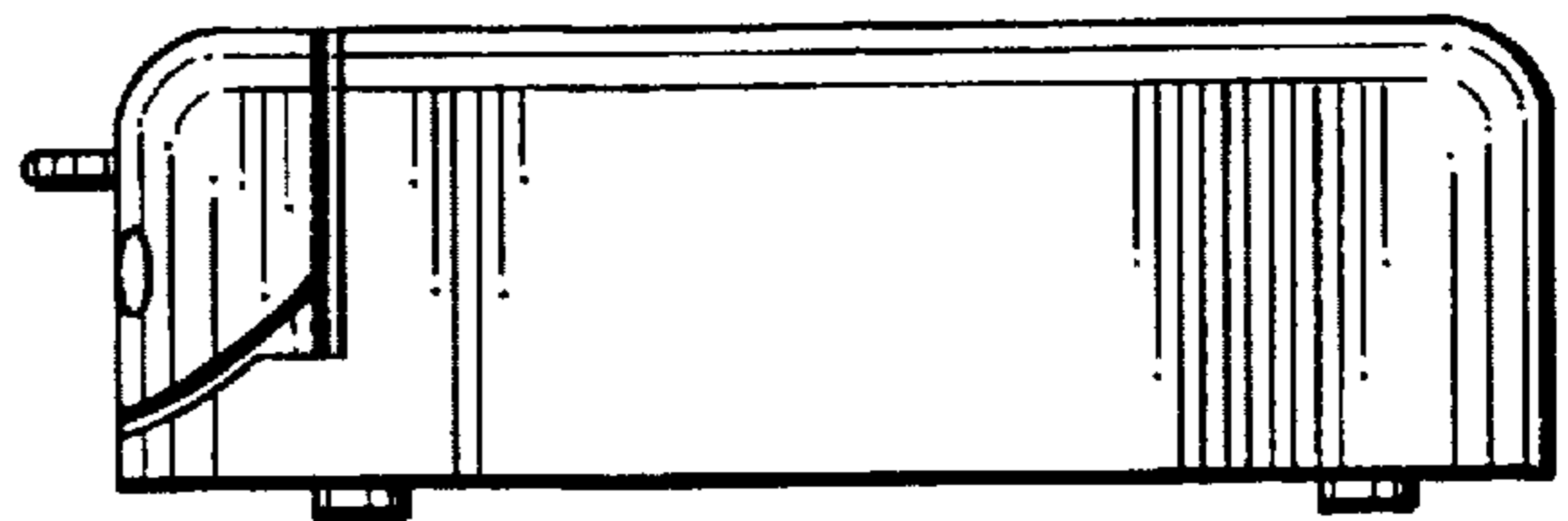


FIG. 5

FIG. 7

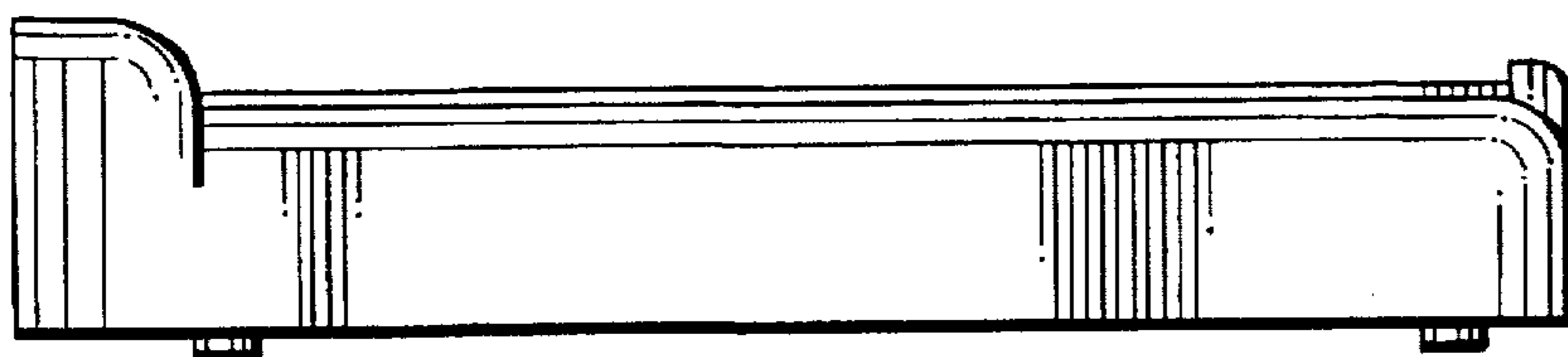
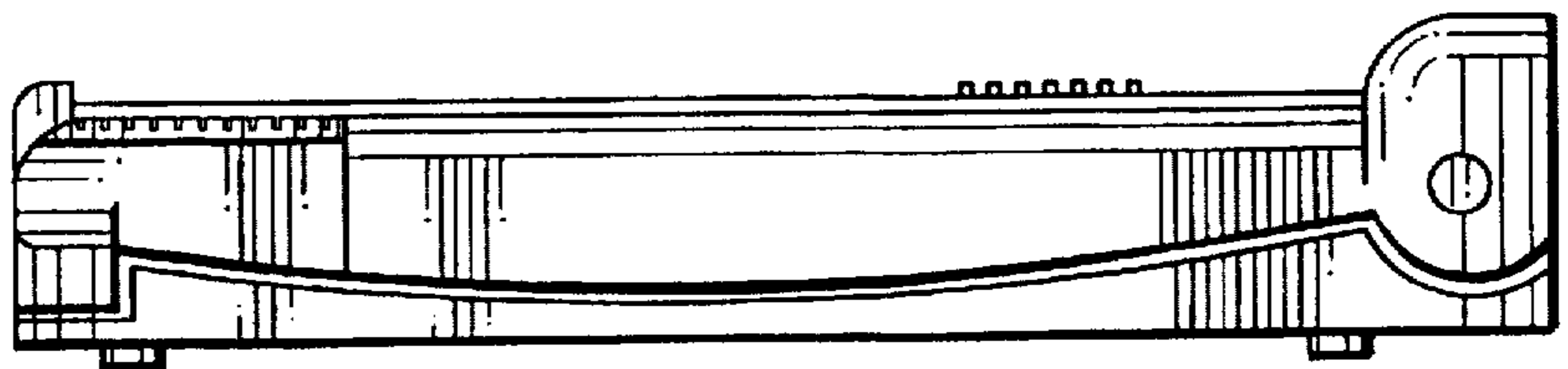


FIG. 8

UNITED STATES PATENT AND TRADEMARK OFFICE  
CERTIFICATE OF CORRECTION

PATENT NO : Des. 391,822  
DATED : March 10, 1998  
INVENTOR(S): Richard M. Appelbaum

It is certified that error appears in the above-identified patent and that said Letters Patent is hereby corrected as shown below:

On the title page, item [76]:

Inventors last name appears as "Applebaum" and the correct spelling should read "Appelbaum".

Signed and Sealed this  
Nineteenth Day of May, 1998



BRUCE LEHMAN

Commissioner of Patents and Trademarks

Attest:

Attesting Officer