

US00D391821S

# United States Patent [19] Schultz

[11] Patent Number: **Des. 391,821**  
[45] Date of Patent: **\*\*Mar. 10, 1998**

[54] **FIBERGLASS KNIFE**  
[76] Inventor: **Vincent L. Schultz**, 435 W. Seventh Ave., Shakopee, Minn. 55379  
[\*\*] Term: **14 Years**  
[21] Appl. No.: **67,242**  
[22] Filed: **Feb. 7, 1997**

832,455	10/1906	Christensen .	
2,316,446	4/1943	Matsunaga .	
2,559,689	7/1951	Truesdell .	
2,907,106	10/1959	Lockwood .	
2,948,960	8/1960	Eckstein .	
3,157,946	11/1964	Smecko .	
3,219,316	11/1965	Fried .	
3,965,575	6/1976	Stunger .....	30/317
4,713,884	12/1987	Dunnagan .....	30/294
4,821,418	4/1989	Windhager .....	30/329
5,063,627	11/1991	Marra .....	7/105

### Related U.S. Application Data

[63] Continuation-in-part of Ser. No. 51,273, Mar. 8, 1996, Pat. No. Des. 379,293.

[51] **LOC (6) Cl.** ..... **08-03**  
[52] **U.S. Cl.** ..... **D8/98**  
[58] **Field of Search** ..... **D8/98, 99, 107, D8/14; D22/118; 30/329, 317, 294, 337, 336, 162**

### References Cited

#### U.S. PATENT DOCUMENTS

D. 245,570	8/1977	West et al. ....	D8/99
D. 299,807	2/1989	Sawa .....	D8/98
D. 300,600	4/1989	High .....	D8/107
D. 344,155	2/1994	Ueno et al. ....	D8/98
825,063	7/1906	Lawbaugh .	

*Primary Examiner*—Philip S. Hyder  
*Attorney, Agent, or Firm*—Palmatier, Sjoquist, Helget & Voigt, P.A.

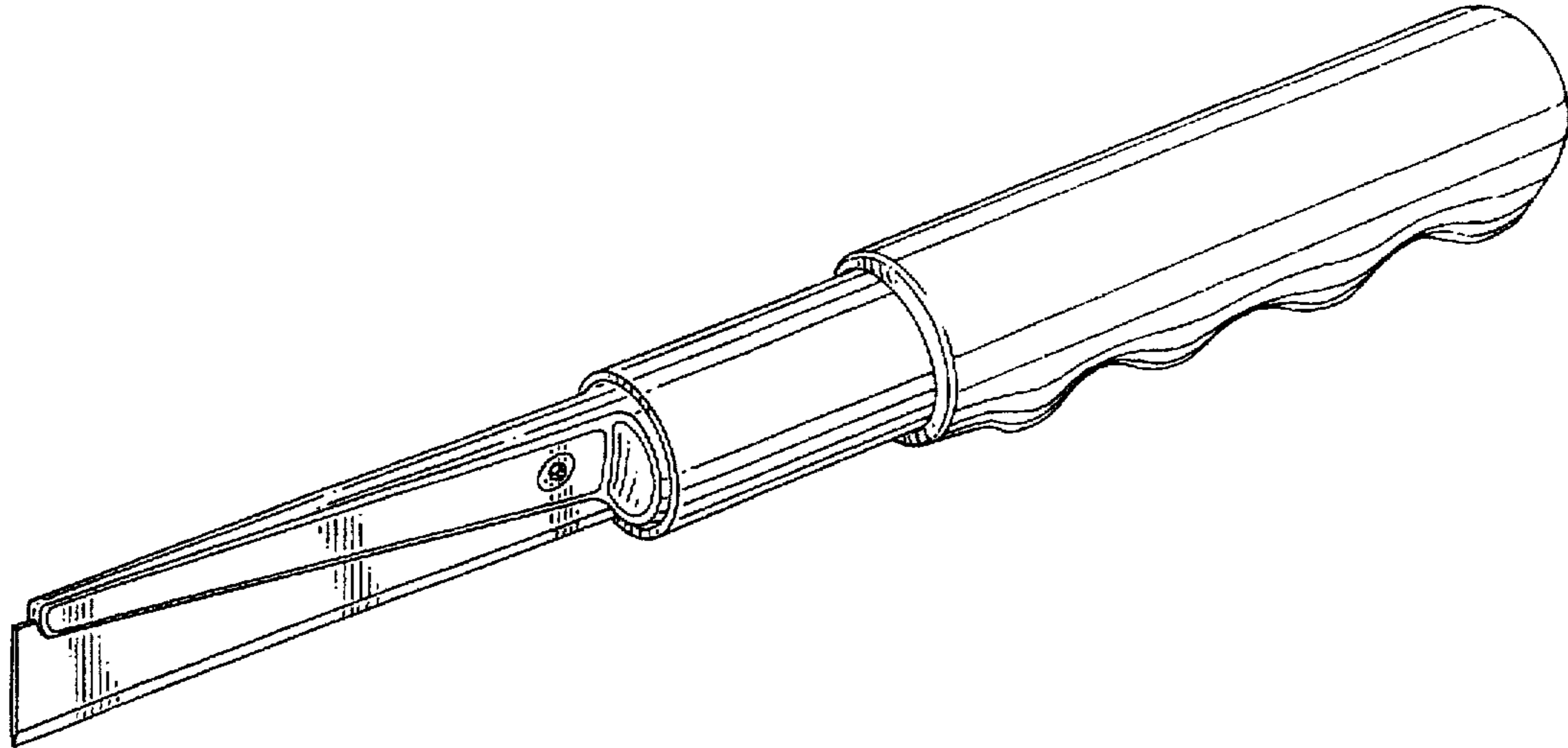
### CLAIM

[57] The ornamental design for a fiberglass knife, as shown and described.

### DESCRIPTION

FIG. 1 is an isometric view of the fiberglass knife; FIG. 2 is a front end view of the fiberglass knife; FIG. 3 is a rear end view of the fiberglass knife; FIG. 4 is a bottom view of the fiberglass knife; FIG. 5 is a top view of the fiberglass knife; and, FIG. 6 is a side view of the fiberglass knife.

**1 Claim, 2 Drawing Sheets**



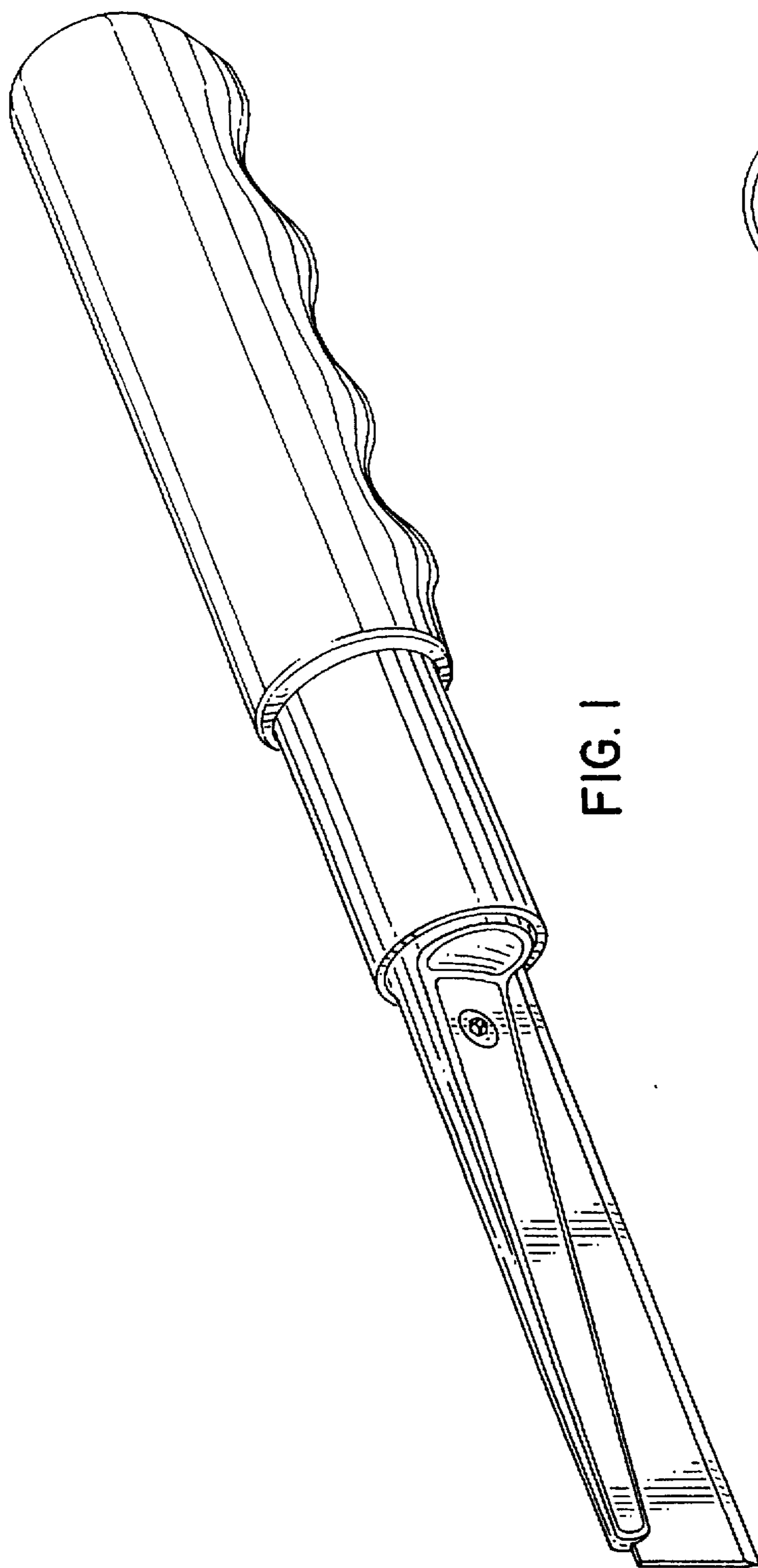


FIG. 1

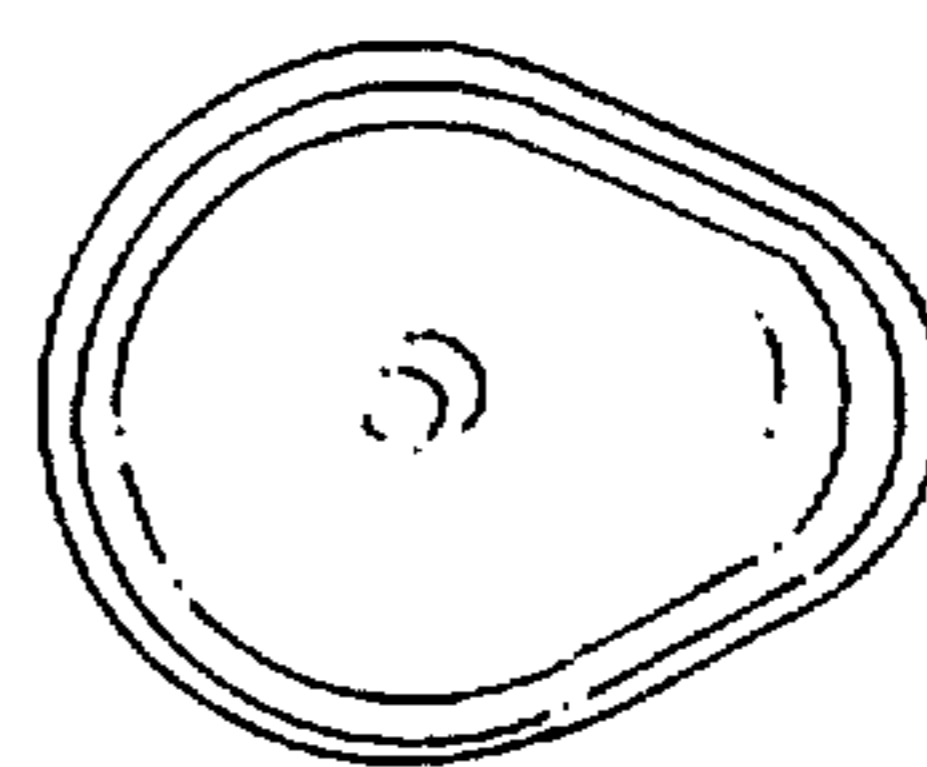


FIG. 3

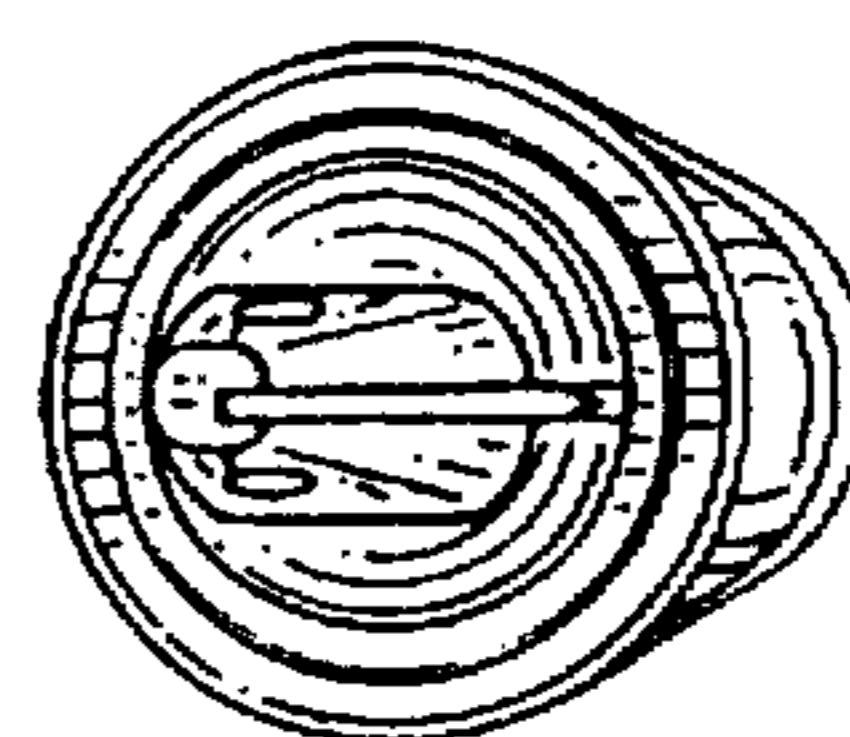


FIG. 2

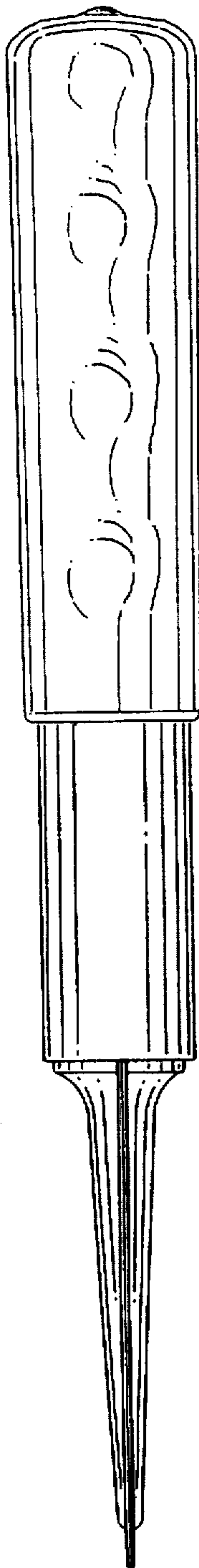


FIG. 4

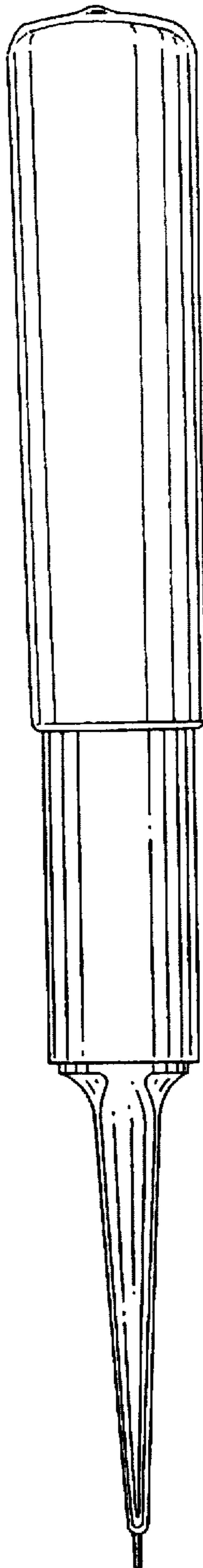


FIG. 5

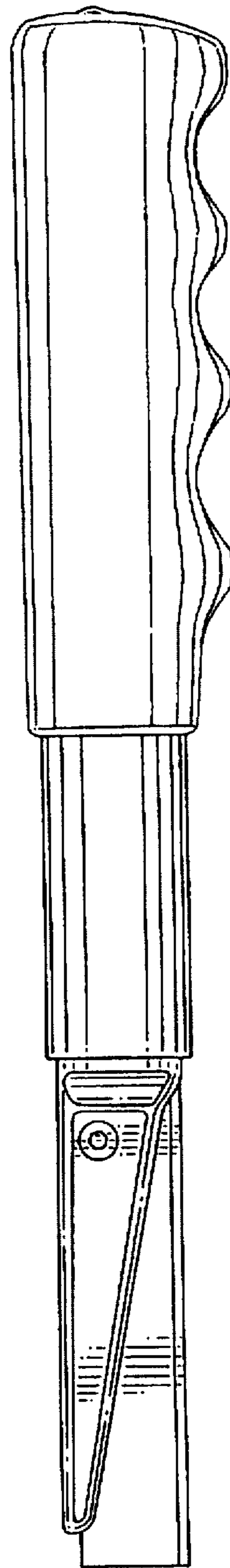


FIG. 6