



US00D391820S

United States Patent [19] Bunyea

[11] Patent Number: **Des. 391,820**

[45] Date of Patent: ****Mar. 10, 1998**

[54] **CORDLESS SCREWDRIVER**

[76] Inventor: **Roderick F. Bunyea**, 316 Avalon La.,
Westminster, Md. 21158

[**] Term: **14 Years**

[21] Appl. No.: **55,388**

[22] Filed: **Jun. 5, 1996**

Related U.S. Application Data

[63] Continuation of Ser. No. 40,552, Jun. 21, 1995, abandoned,
which is a continuation of Ser. No. 26,997, Aug. 11, 1994,
abandoned.

[51] LOC (6) Cl. **08-04**

[52] U.S. Cl. **D8/61**

[58] Field of Search D8/61, 62; D19/53;
81/54, 57, 57.11, 57.13; 173/90, 91, 170,
216, 217; 451/358

[56] References Cited

U.S. PATENT DOCUMENTS

- D. 295,601 5/1988 Svetlik .
- D. 297,104 8/1988 Svetlik .
- D. 304,543 11/1989 Somers et al. D8/61

- D. 305,093 12/1989 Hoshino et al. .
- D. 308,622 6/1990 Fushiya et al. .
- D. 322,205 12/1991 Liu .
- D. 323,274 1/1992 Sasaki et al. D8/61
- D. 325,503 4/1992 Kikuchi et al. .
- D. 343,561 1/1994 McCambridge D8/61
- D. 353,309 12/1994 Somers D8/61

Primary Examiner—James Gandy
Assistant Examiner—Robert M. Spear
Attorney, Agent, or Firm—Dennis A. Dearing; John D. Del
Ponti; Charles E. Yocum

[57] CLAIM

The ornamental design for a cordless screwdriver, as shown
and described.

DESCRIPTION

FIG. 1 is perspective view of a cordless screwdriver showing
my new design;
FIG. 2 is a front elevational view thereof;
FIG. 3 is a rear elevational view thereof;
FIG. 4 is a left side elevational view thereof;
FIG. 5 is a right side elevational view thereof;
FIG. 6 is a top plan view thereof; and,
FIG. 7 is a bottom plan view thereof.

1 Claim, 3 Drawing Sheets

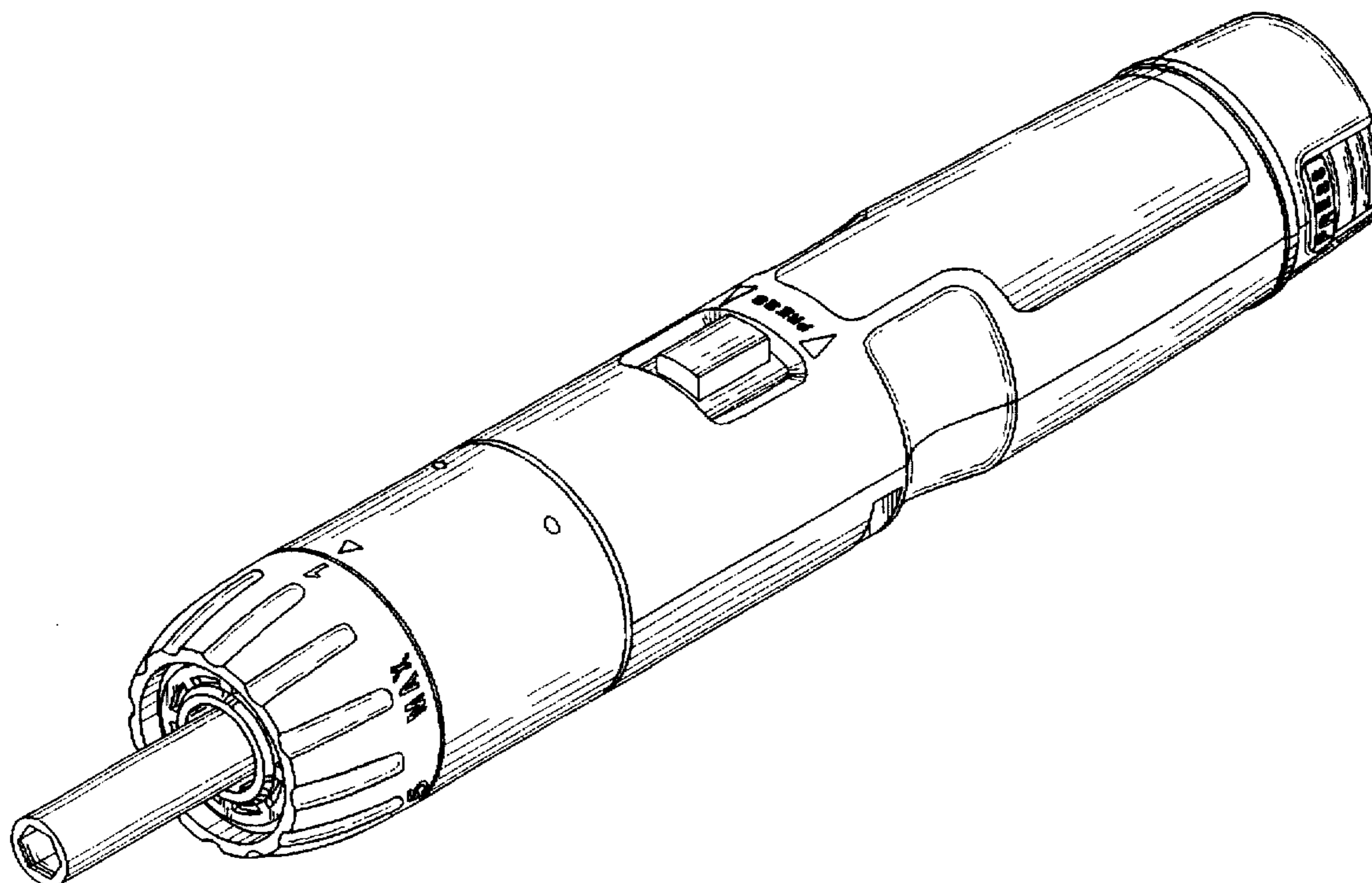


FIG. 1

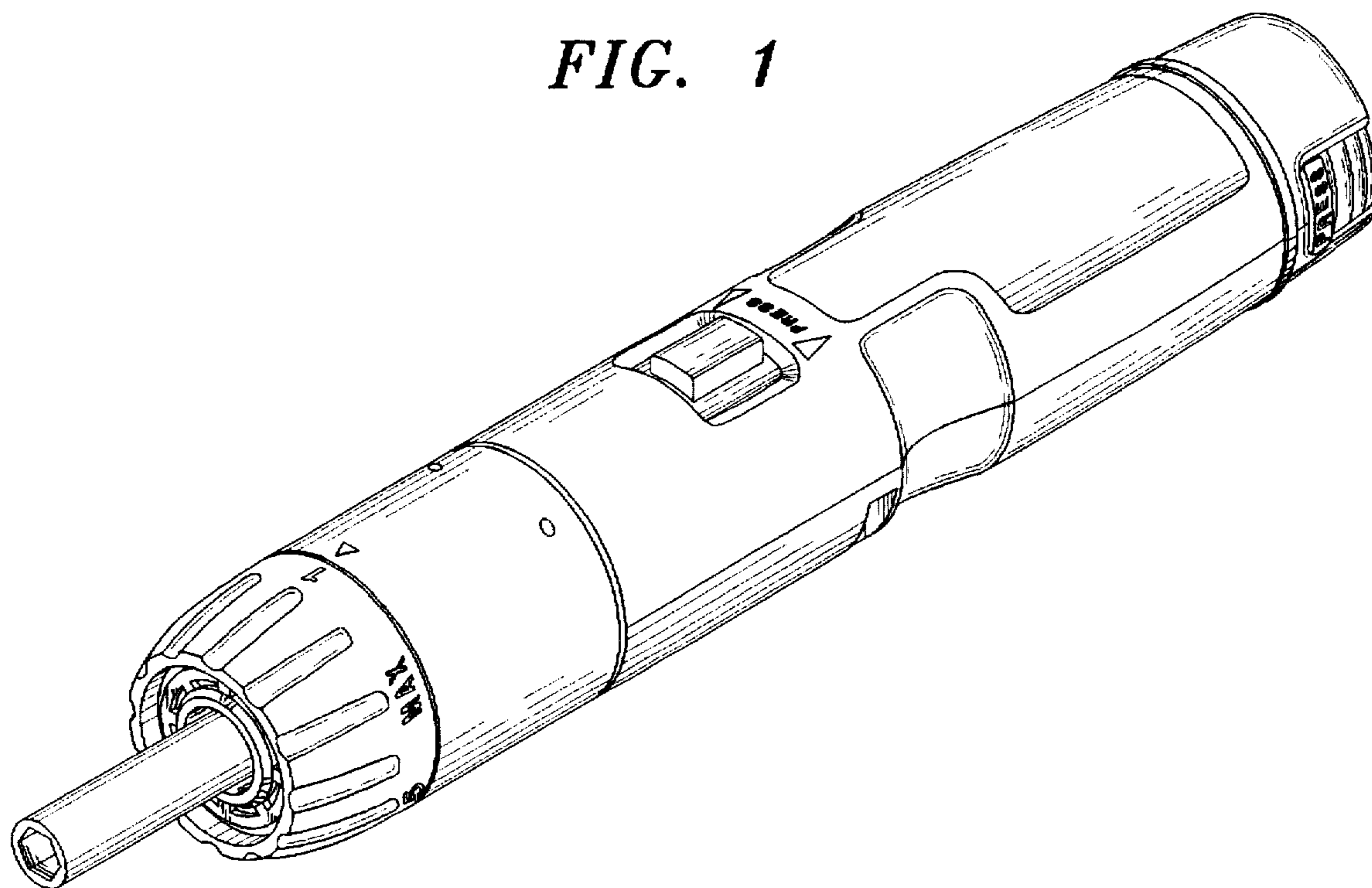


FIG. 2

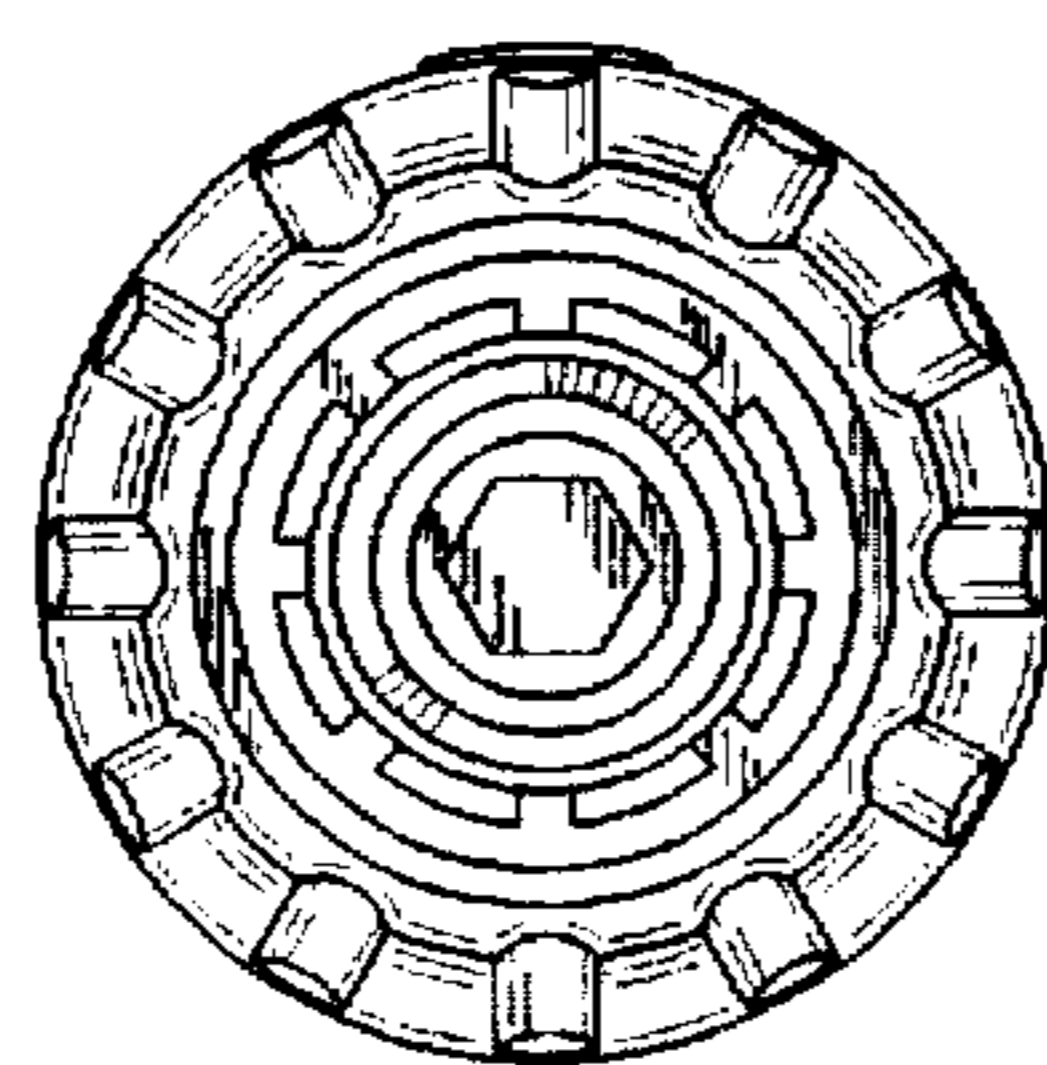


FIG. 3

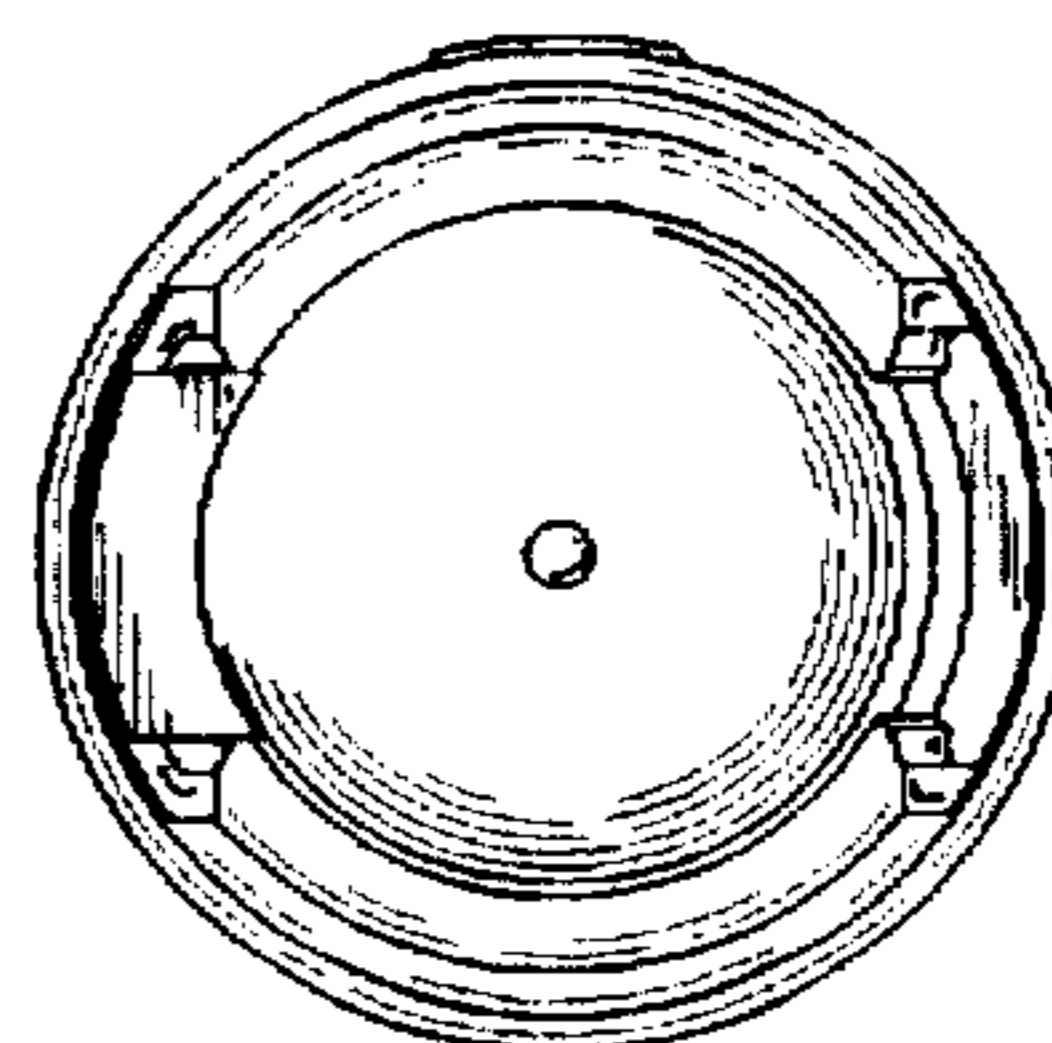


FIG. 4

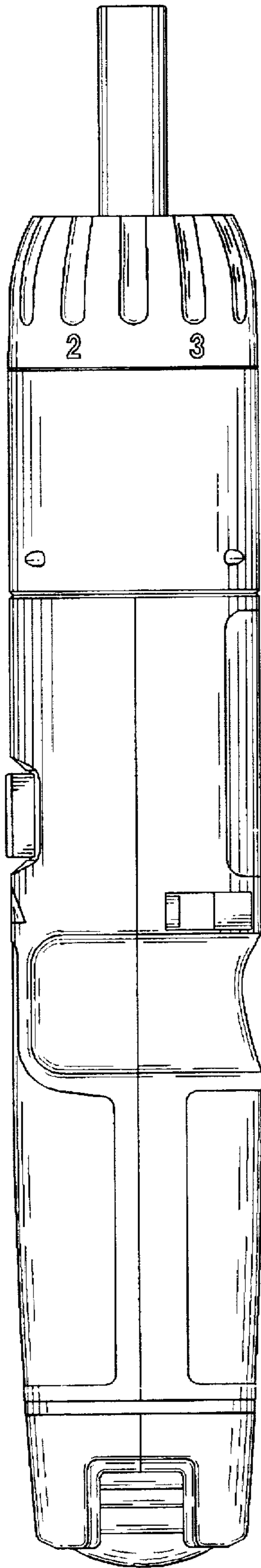


FIG. 5

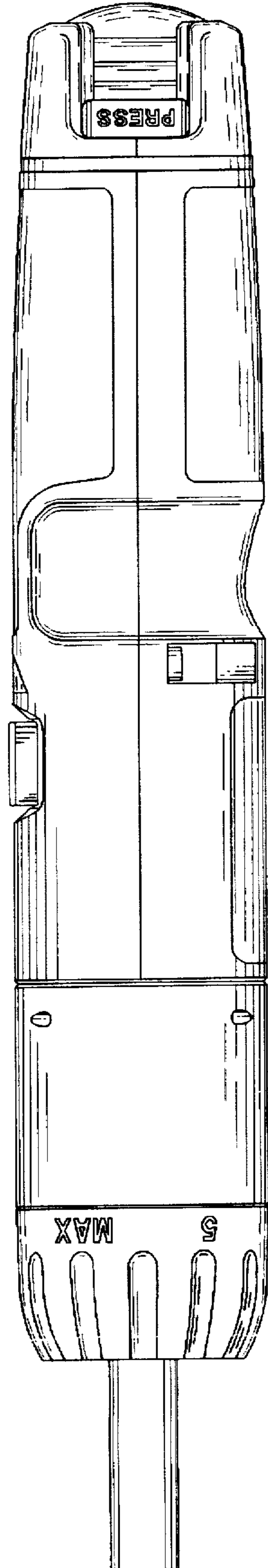


FIG. 6

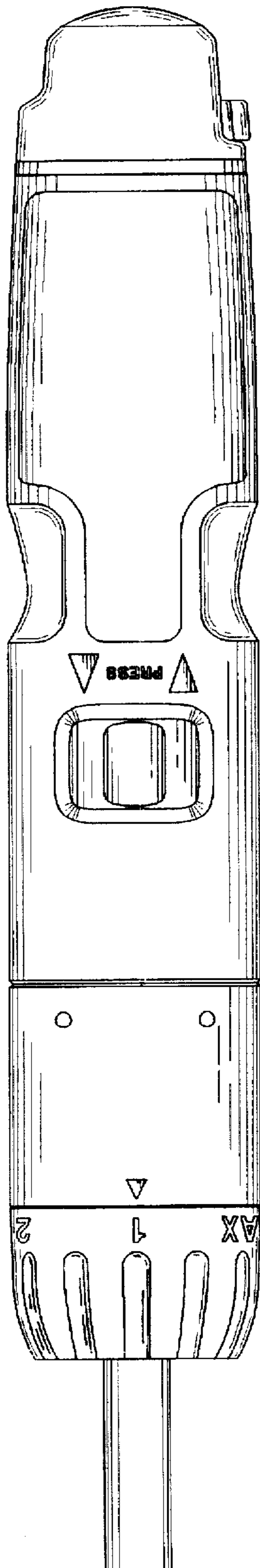


FIG. 7

