



US00D391817S

United States Patent [19]

Christian, Jr.

[11] Patent Number: **Des. 391,817**

[45] Date of Patent: ****Mar. 10, 1998**

[54] CLOTHES HANGER HOOK

4,203,332 5/1980 Corsetti 294/19.1 X
4,836,595 6/1989 DiCarlo 294/19.1 X

[76] Inventor: **James E. Christian, Jr.**, 4470
Homestead Dr., Roanoke, Tex. 76262

Primary Examiner—Ted Shooman
Assistant Examiner—Richelle Shelton
Attorney, Agent, or Firm—Dennis T. Griggs

[**] Term: **14 Years**

[57] CLAIM

[21] Appl. No.: **68,579**

The ornamental design for a clothes hanger hook, as shown and described.

[22] Filed: **Mar. 24, 1997**

[51] LOC (6) Cl. **08-05**

[52] U.S. Cl. **D8/14**

[58] Field of Search D8/14, 408; D6/411;
294/19.1, 19.3, 22; 223/85

DESCRIPTION

FIG. 1 is a front elevational view of a clothes hanger hook showing my new design, the rear elevational view being the mirror image thereof;

FIG. 2 is a right side elevational view thereof, the left side elevational view being the mirror image thereof;

FIG. 3 is a top plan view thereof;

FIG. 4 is a bottom plan view thereof; and,

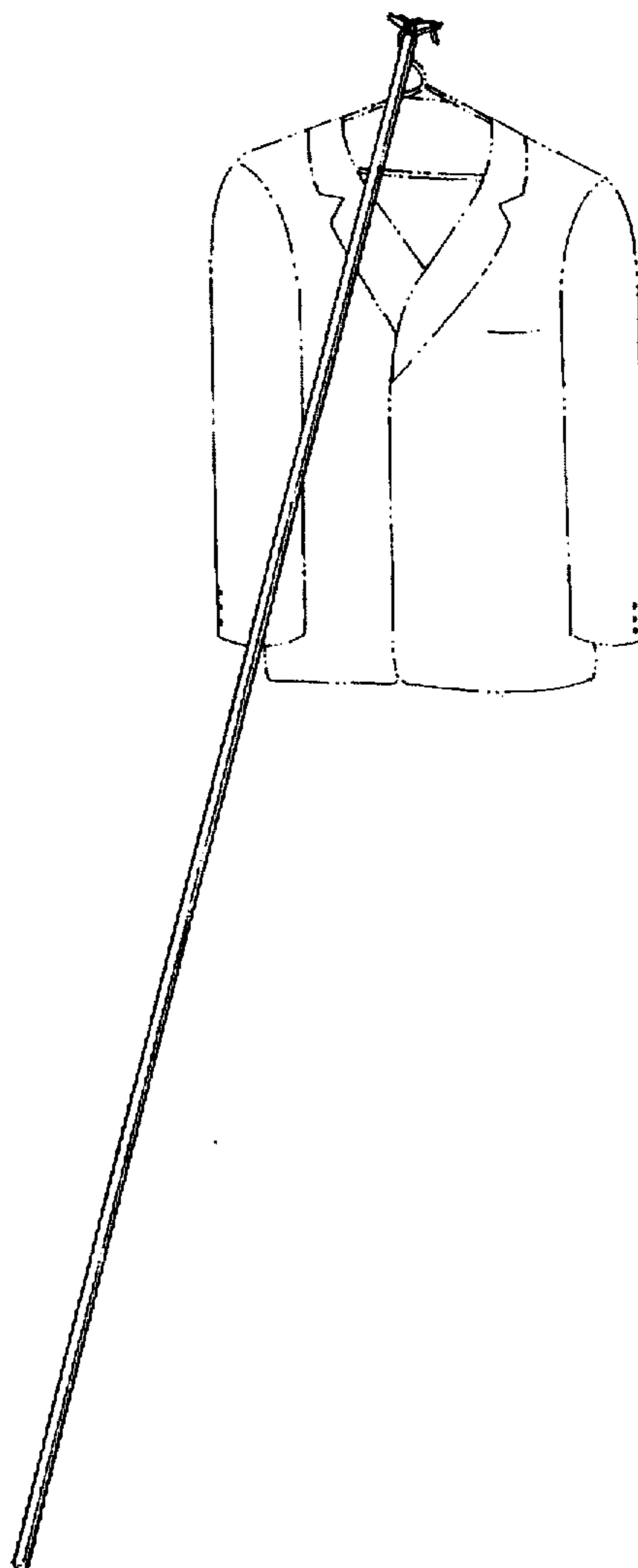
FIG. 5 is a perspective view thereof, with the dashed lines showing the outline of a jacket and hanger for illustrative purposes only and forming no part of the claimed design.

[56] References Cited

U.S. PATENT DOCUMENTS

D. 365,019	12/1995	Rich	D8/402
927,546	7/1909	Johnston	294/19.1 X
1,377,933	5/1921	Sheatsley	294/19.1 X
3,588,161	6/1971	Sayre et al.	294/19.1
4,023,843	5/1977	Coons	294/19.1
4,121,531	10/1978	Norton	294/19.1 X

1 Claim, 1 Drawing Sheet



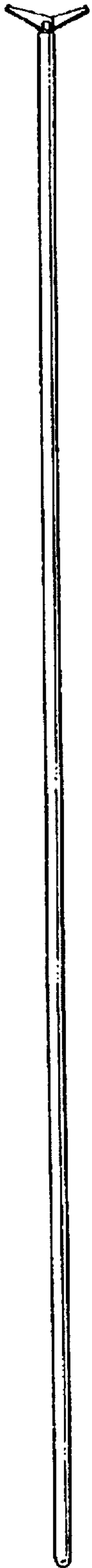


FIG. 1



FIG. 2

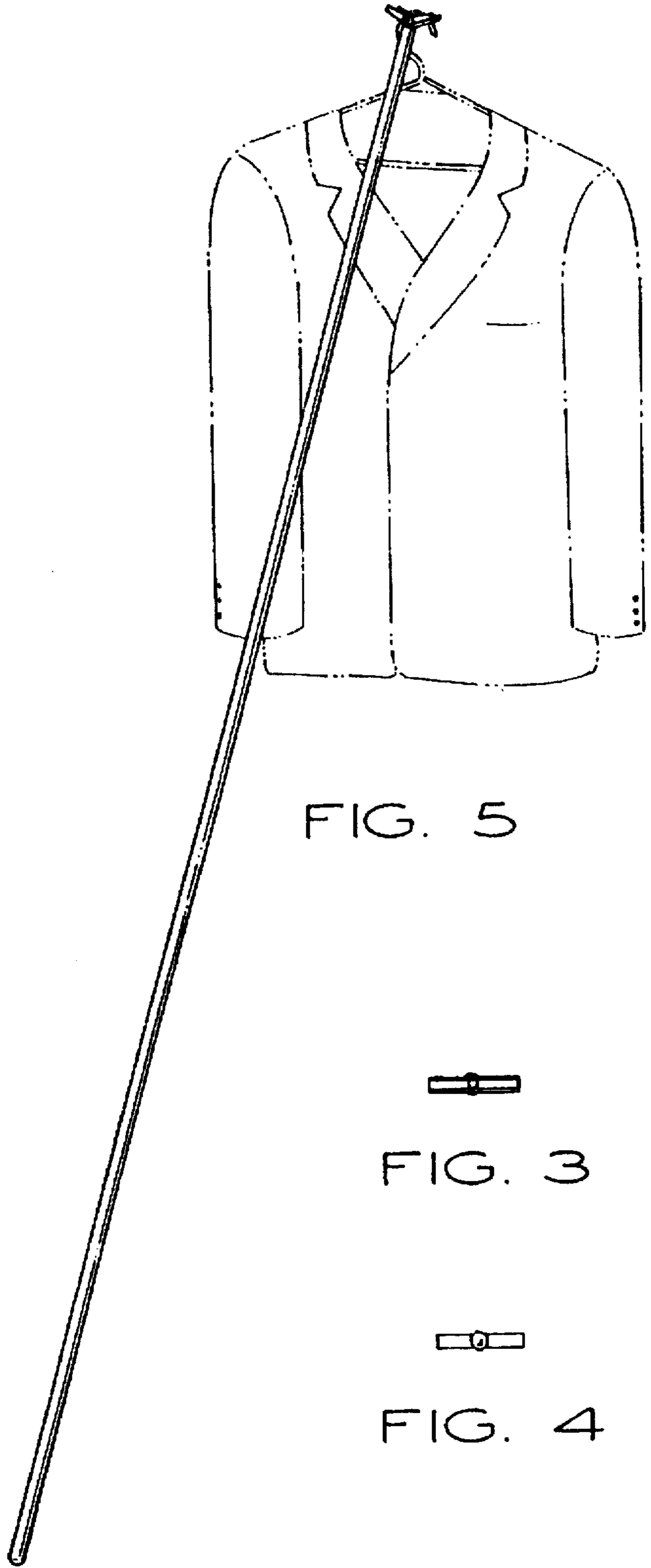


FIG. 5



FIG. 3



FIG. 4