



US00D391816S

# United States Patent [19] Higgins

[11] Patent Number: Des. 391,816  
[45] Date of Patent: \*\*Mar. 10, 1998

## [54] PLUMBING TOOL FOR DRAIN FIXTURE

[76] Inventor: Ernest J. Higgins, 412 Benedict Ave.,  
Apartment GR5, Tarrytown, N.Y. 10591

[\*\*] Term: 14 Years

[21] Appl. No.: 62,635

[22] Filed: Nov. 20, 1996

[51] LOC (6) Cl. .... 08-05

[52] U.S. Cl. .... D8/14

[58] Field of Search ..... D8/14, 21, 29;  
81/176.15, 436, 461, 3.4, 125; 29/270

## [56] References Cited

### U.S. PATENT DOCUMENTS

D. 261,606	11/1981	LaFargo et al. ....	D8/21
D. 301,964	7/1989	Ball .....	D8/14 X
2,605,664	8/1952	Galbraith .	
2,956,461	10/1960	Anderson .	
3,086,414	4/1963	Nardi .	
3,578,046	5/1971	Curran .	
4,237,754	12/1980	Battrick .....	81/439
4,252,036	2/1981	Vanderhoof .....	81/461
5,090,276	2/1992	Groskey .....	81/436
5,103,698	4/1992	Delaney .....	81/461
5,172,615	12/1992	Albrecht .....	81/436
5,425,289	6/1995	Iwinski .....	81/3.4
5,499,557	3/1996	Fry .....	81/125

## FOREIGN PATENT DOCUMENTS

473744 5/1951 Canada .

Primary Examiner—Prabhakar G. Deshmukh  
Assistant Examiner—Richelle Shelton  
Attorney, Agent, or Firm—Ware, Fressola, Van Der Sluys &  
Adolphson LLP

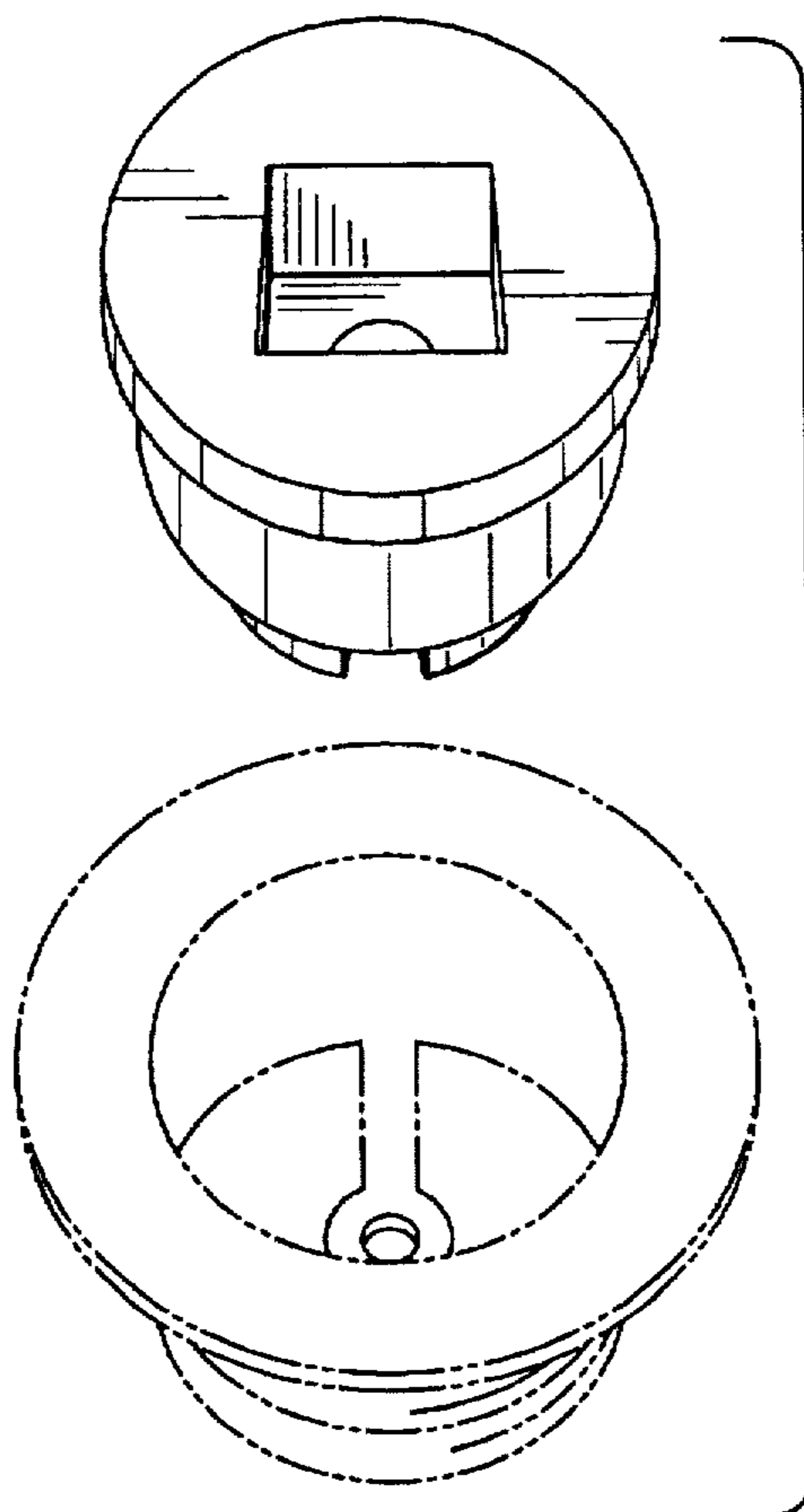
## [57] CLAIM

The ornamental design for plumbing tool for a drain fixture,  
as shown and described.

## DESCRIPTION

FIG. 1 is a perspective view of the invention, shown in  
relation to an exemplary drain fixture;  
FIG. 2 is a second perspective view of the invention;  
FIG. 3 is a side view of the invention;  
FIG. 4 is a second side view of the invention, rotated 90°  
relative to the side view of FIG. 3;  
FIG. 5 is a top view of the invention;  
FIG. 6 is a bottom view of the invention; and  
FIG. 7 is a cross-sectional view of the invention taken along  
line 7—7 of FIG. 3, showing the relative depths of apertures  
formed in the top and bottom of the invention.  
The broken line showing of a drain fixture is for illustrative  
purposes only and forms no part of the claimed design.

1 Claim, 1 Drawing Sheet



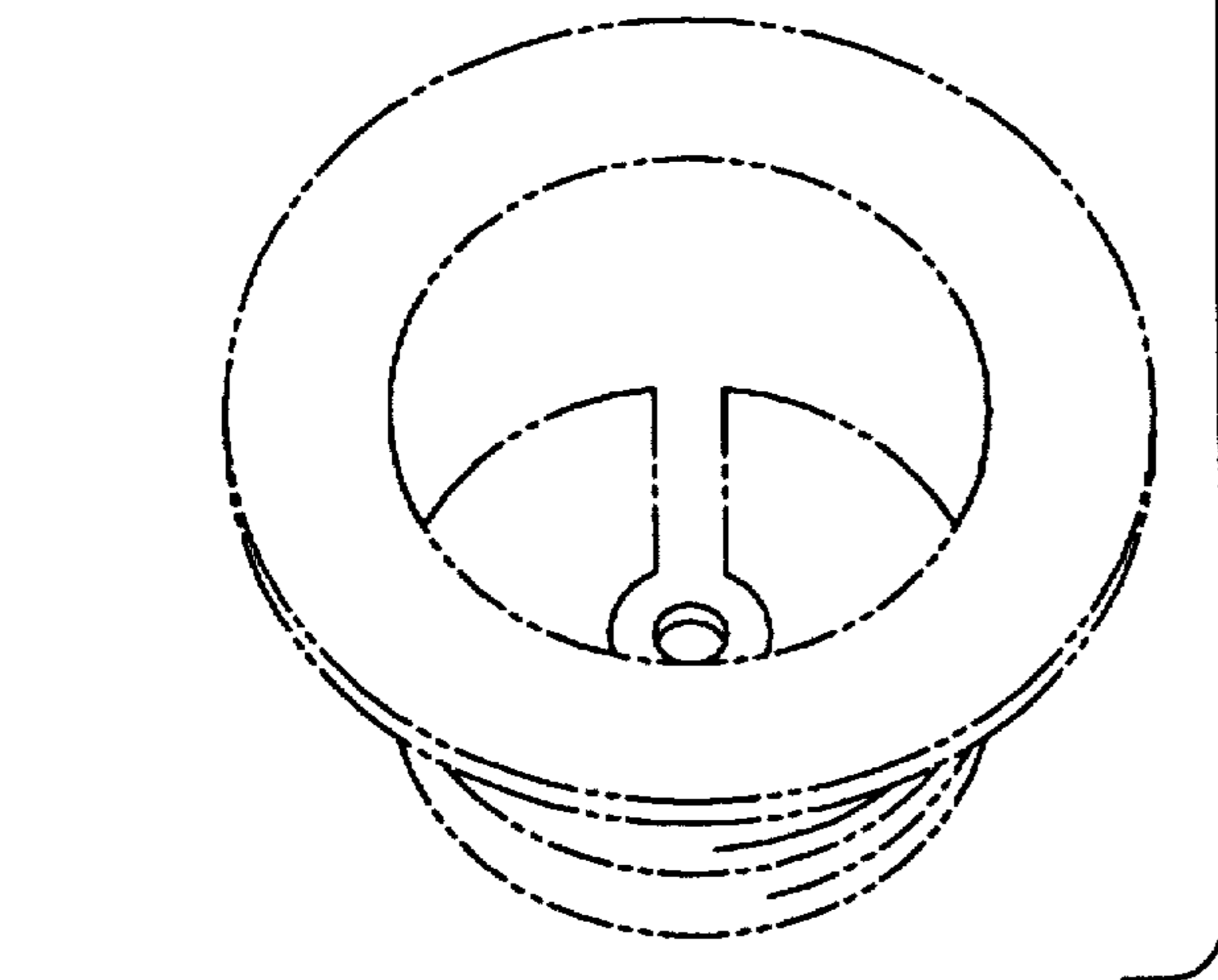
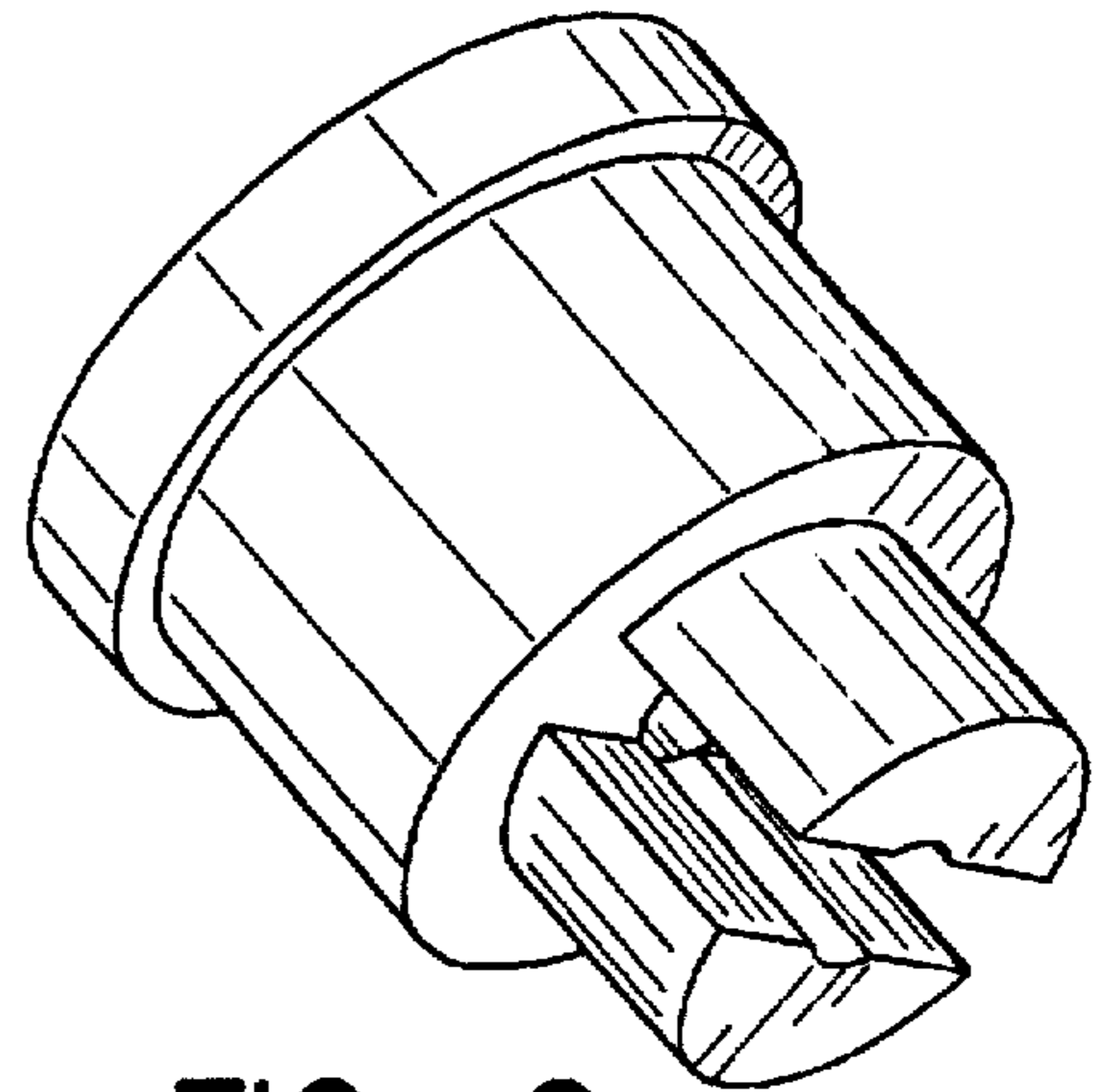
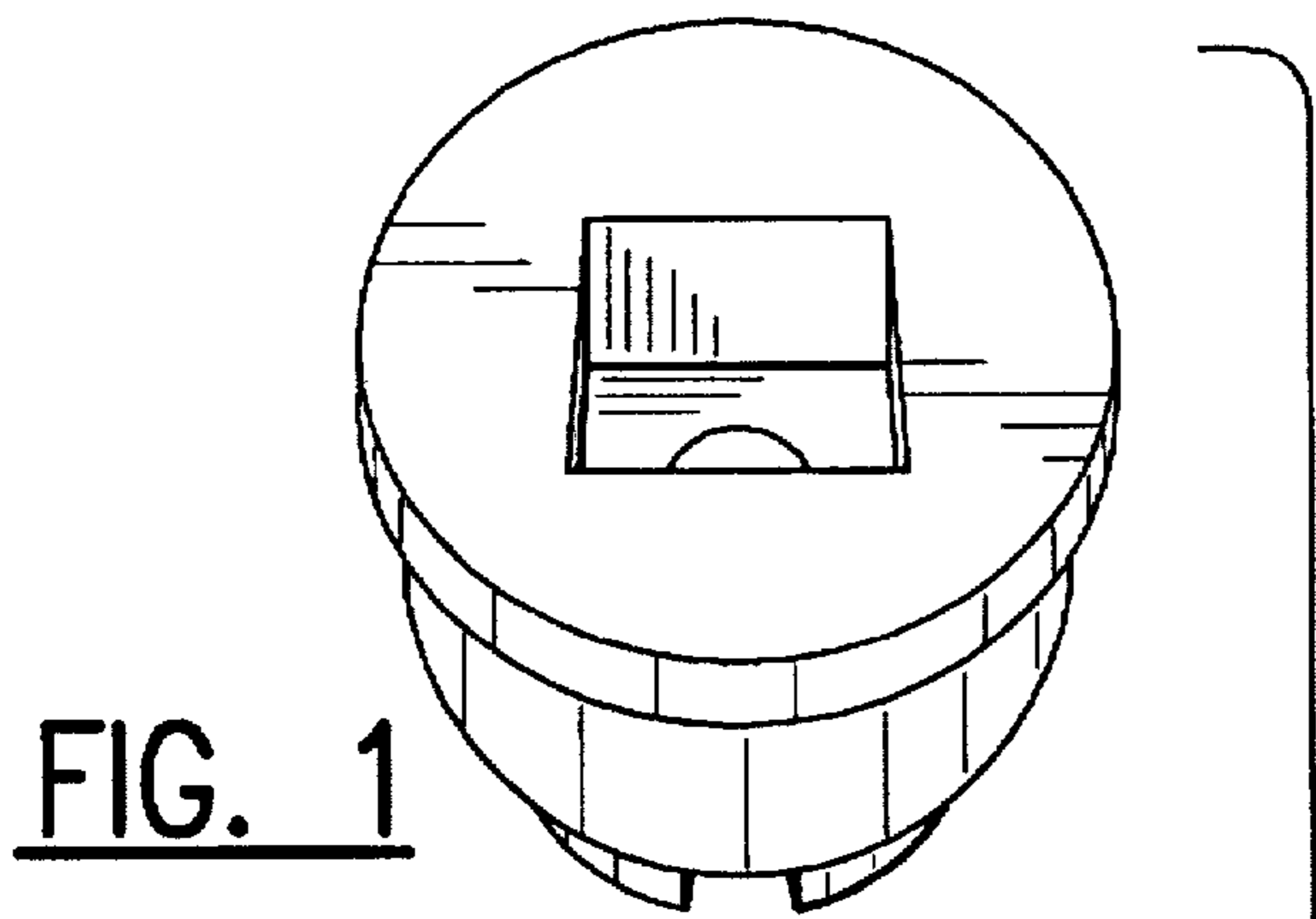


FIG. 2

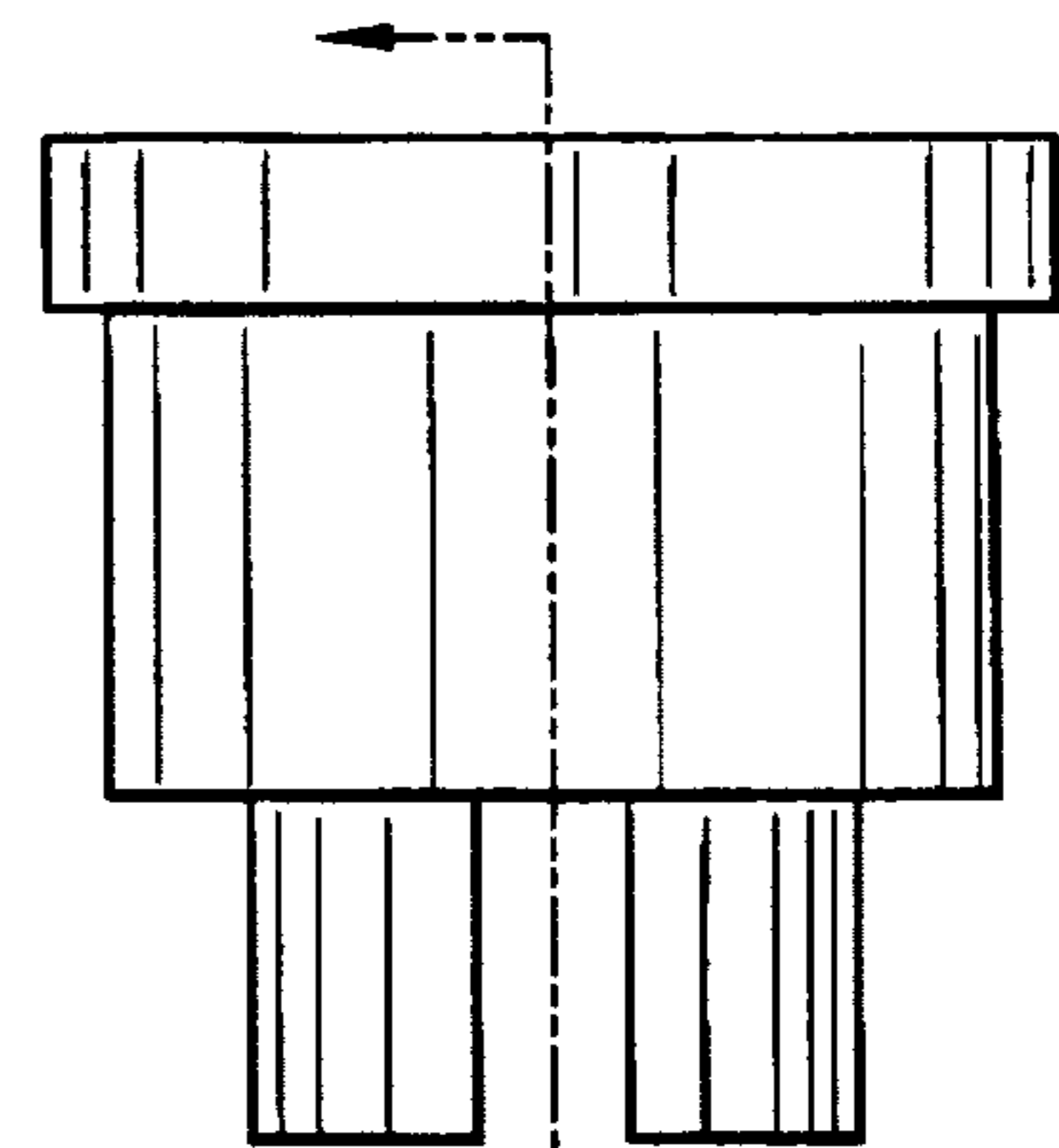


FIG. 5

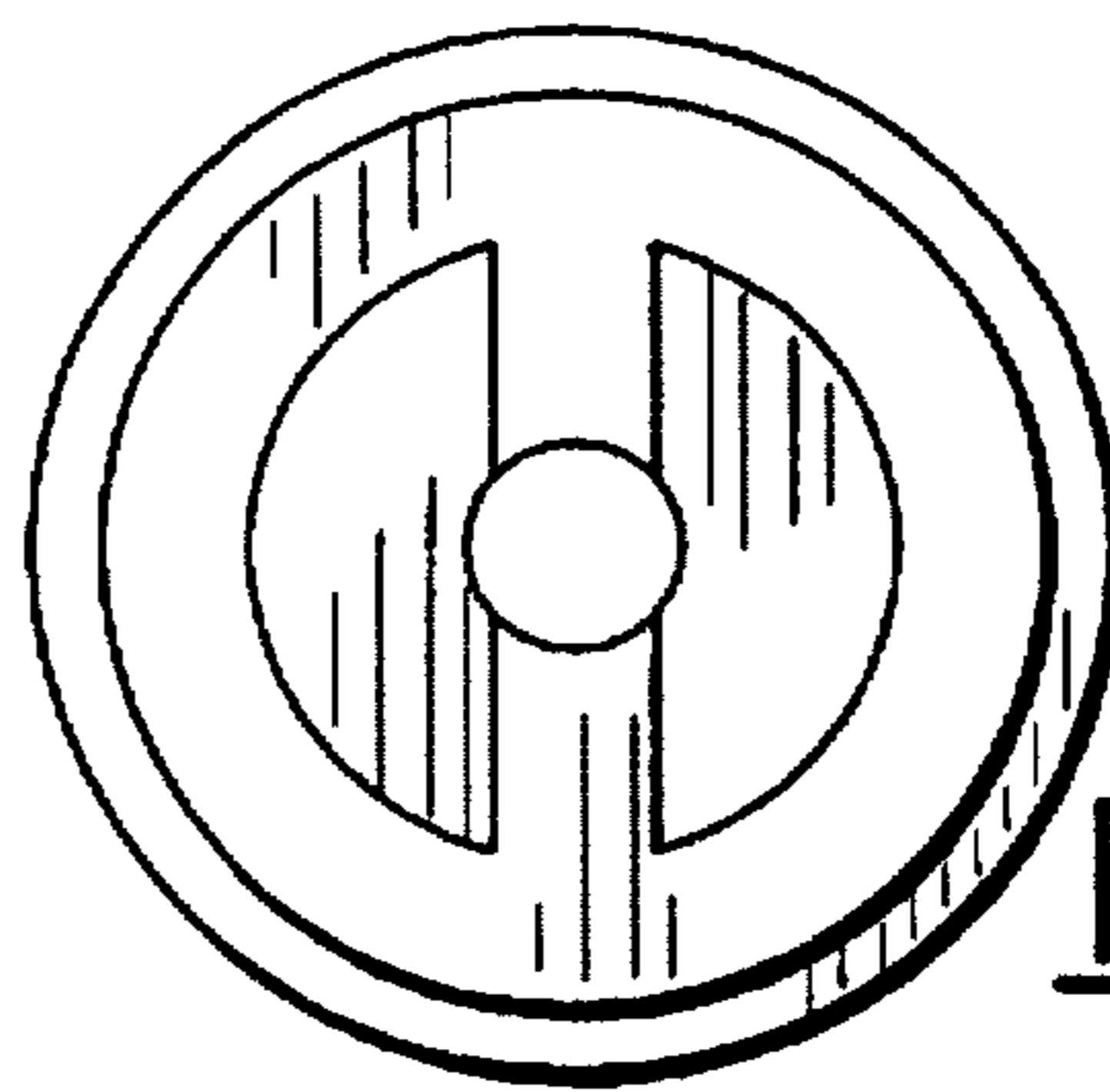
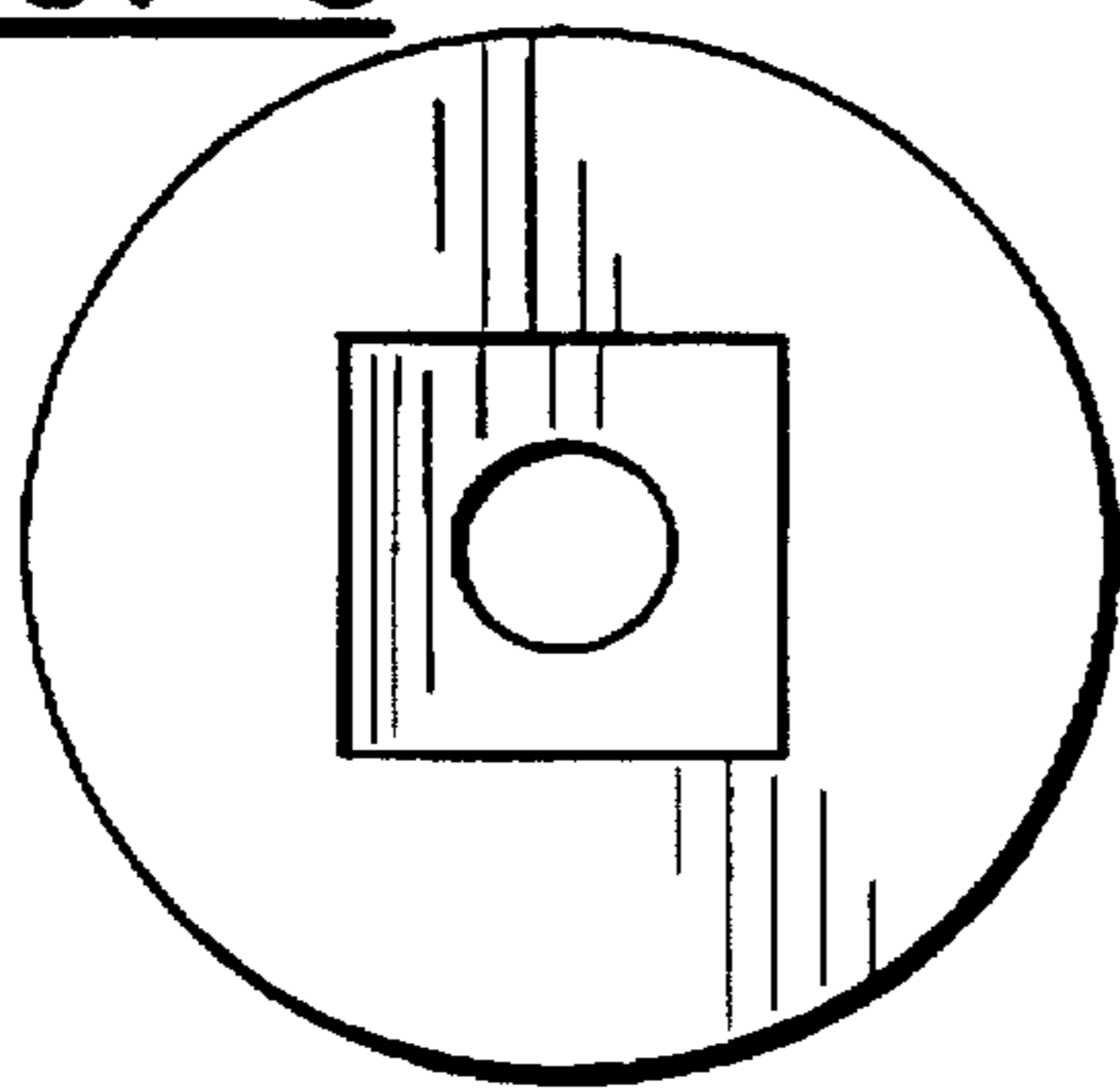


FIG. 3

FIG. 6

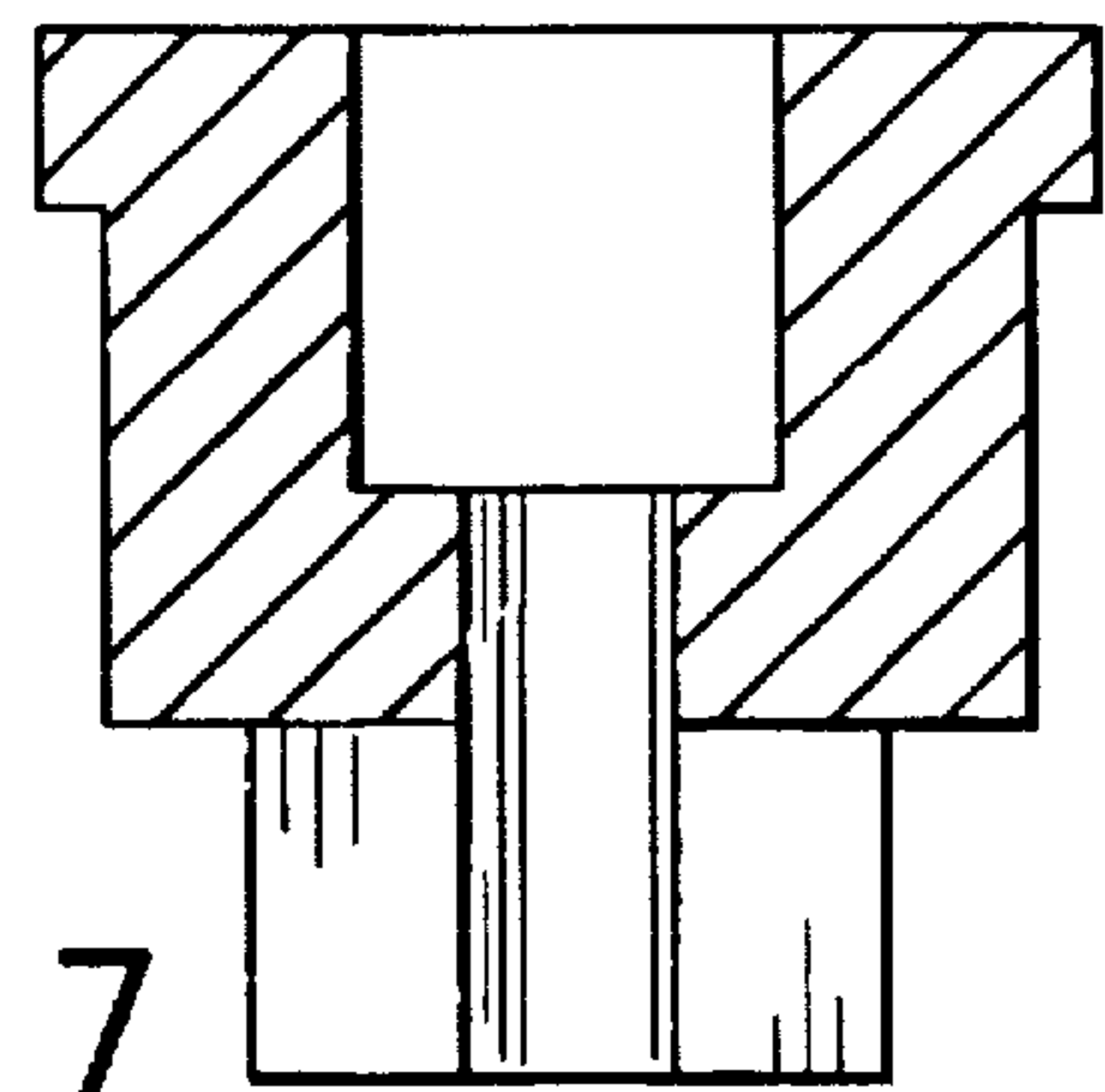
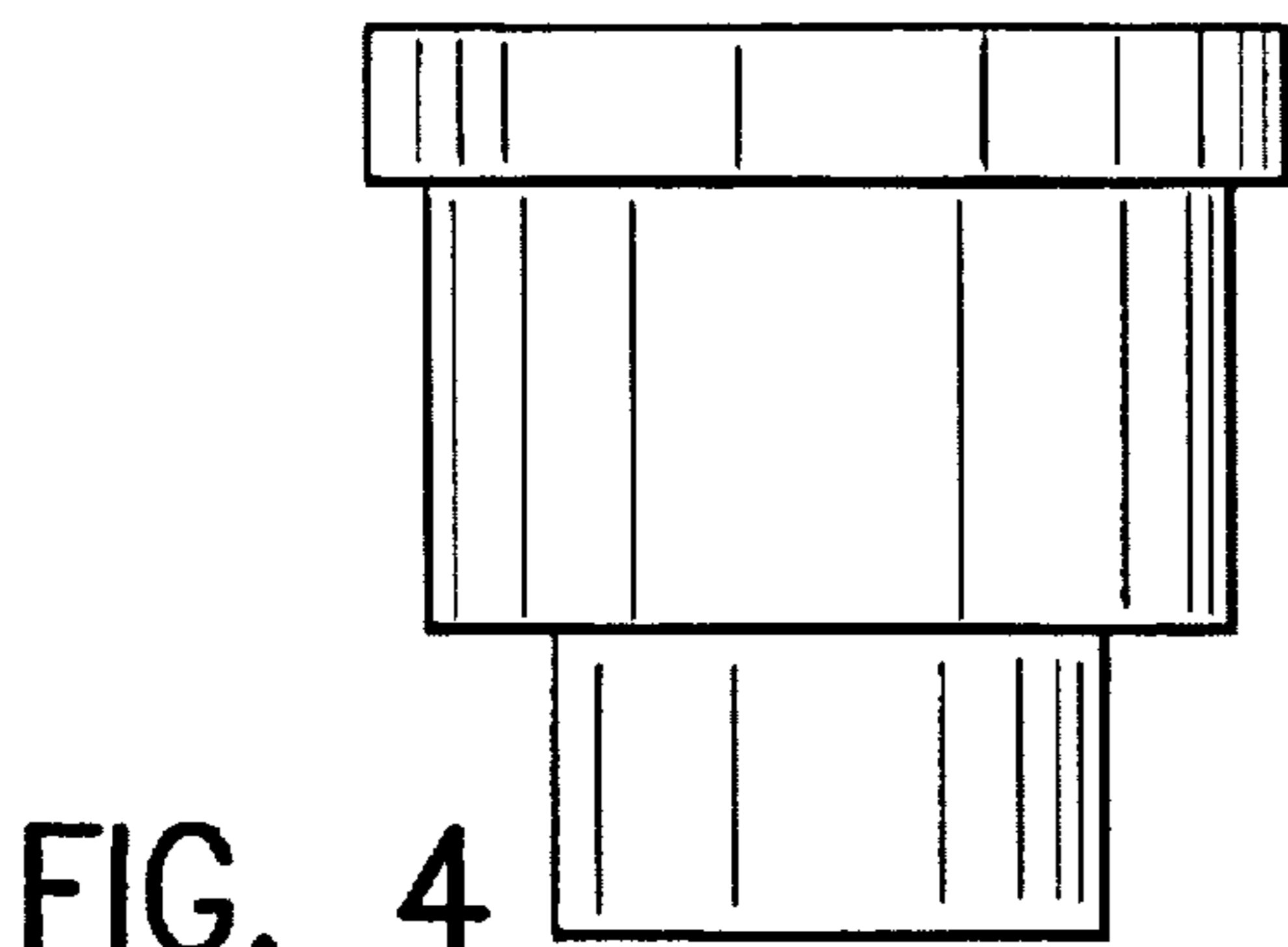


FIG. 4

FIG. 7