



US00D391814S

United States Patent [19]
Lindsey

[11] **Patent Number: Des. 391,814**
[45] **Date of Patent: **Mar. 10, 1998**

[54] **LEAF RAKE**

[76] **Inventor: Larry M. Lindsey, 6688 S. Aroma St., Littleton, Colo. 80120**

[**] **Term: 14 Years**

[21] **Appl. No.: 54,163**

[22] **Filed: May 6, 1996**

[51] **LOC (6) Cl. 08-01**

[52] **U.S. Cl. D8/13**

[58] **Field of Search D8/13; 56/400.01, 56/400.04-400.21**

[56] **References Cited**

U.S. PATENT DOCUMENTS

| | | | |
|------------|--------|-----------------|---------|
| D. 359,207 | 6/1995 | Meiller | D8/13 |
| 3,688,484 | 9/1972 | Cox | D8/13 X |
| 4,953,347 | 9/1990 | Seigfried | D8/13 X |
| 4,991,386 | 2/1991 | Dirksen | D8/13 X |

OTHER PUBLICATIONS

Green River Tools, 1986, p. 13, leaf rake item C located at left of page.

Primary Examiner—Holly Baynham

[57] **CLAIM**

The ornamental design for a leaf rake, as shown.

DESCRIPTION

FIG. 1 is a front view of the leaf rake of the present invention;

FIG. 2 is a rear view of the leaf rake of FIG. 1;

FIG. 3 is a right side view of the leaf rake of FIG. 1;

FIG. 4 is a left side view of the leaf rake of FIG. 1;

FIG. 5 is a top view of the leaf rake of FIG. 1; and,

FIG. 6 is a bottom view of the leaf rake of FIG. 1.

1 Claim, 3 Drawing Sheets

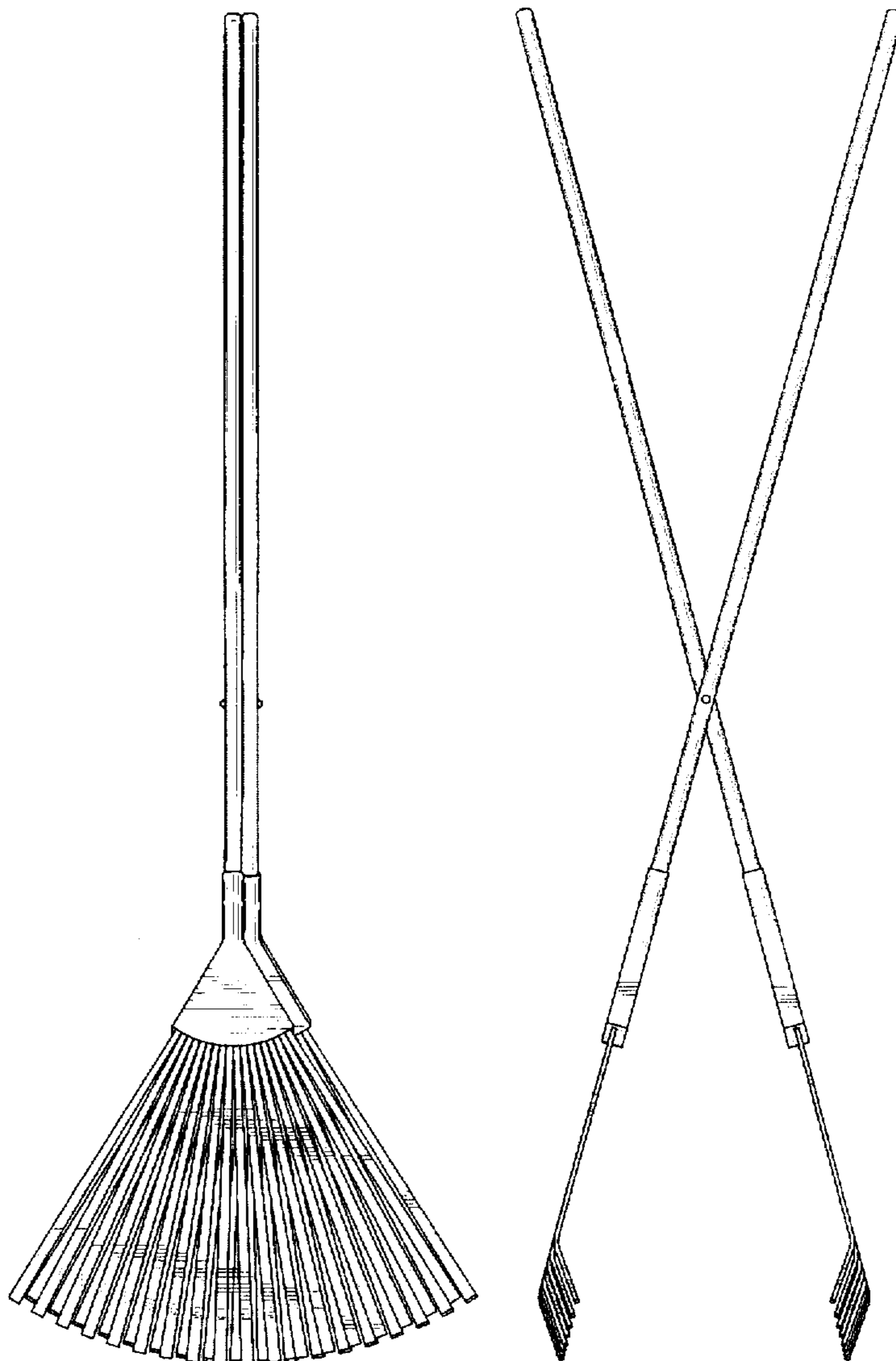


FIG. 1

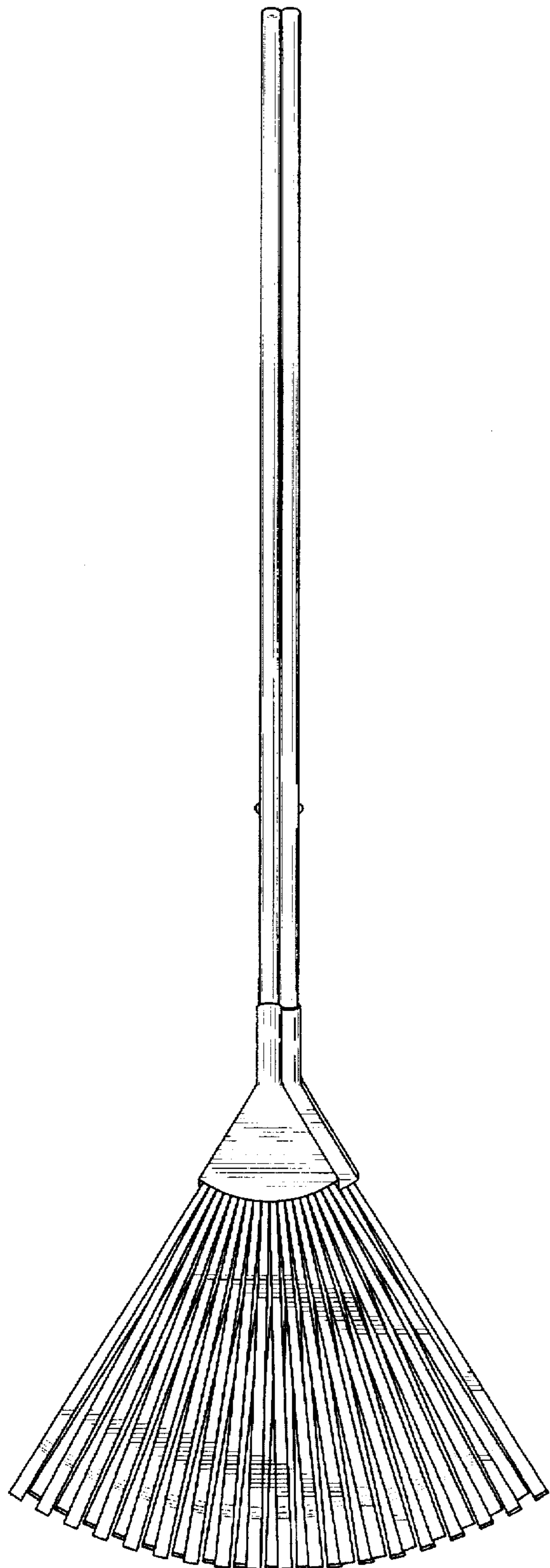


FIG. 2

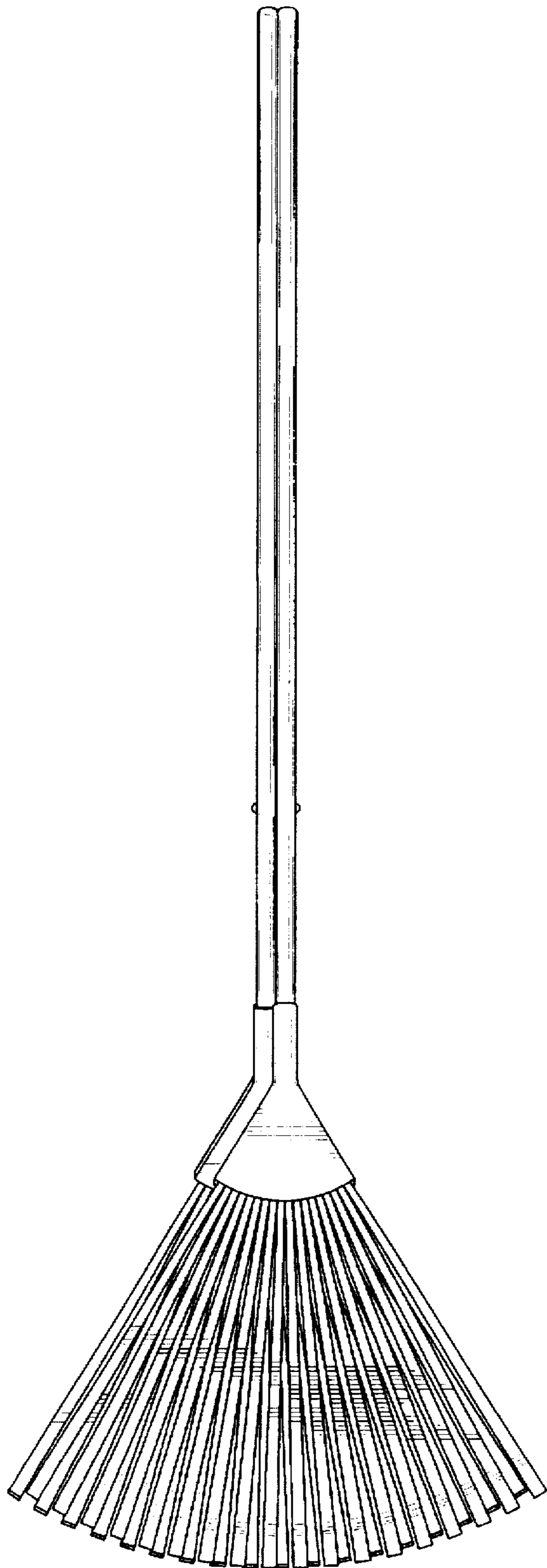


FIG. 3

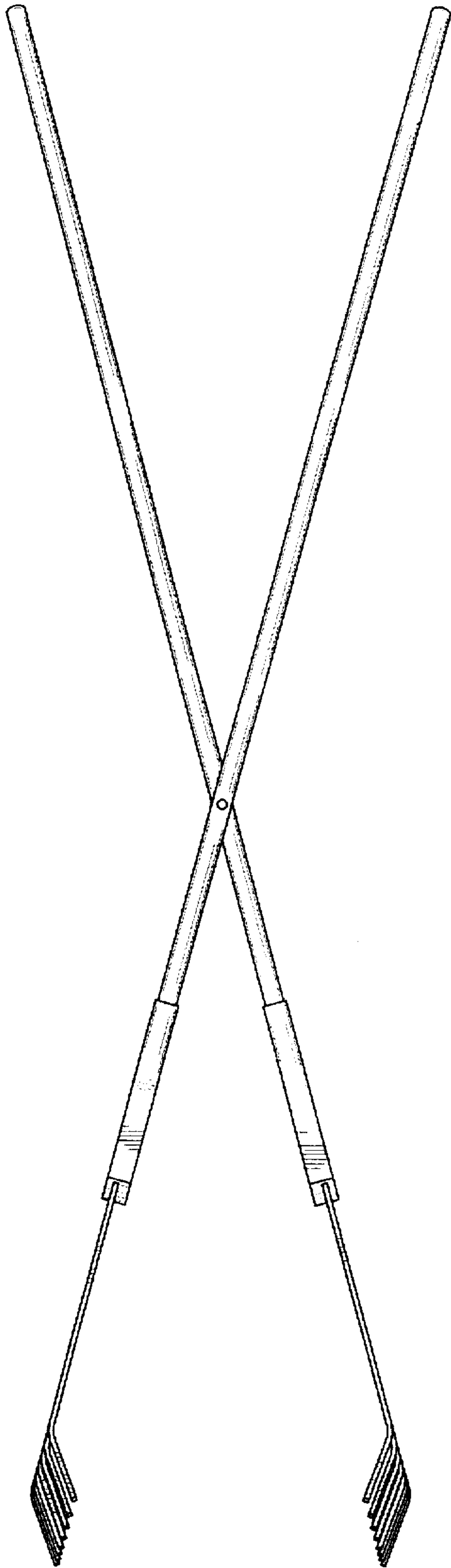


FIG. 4

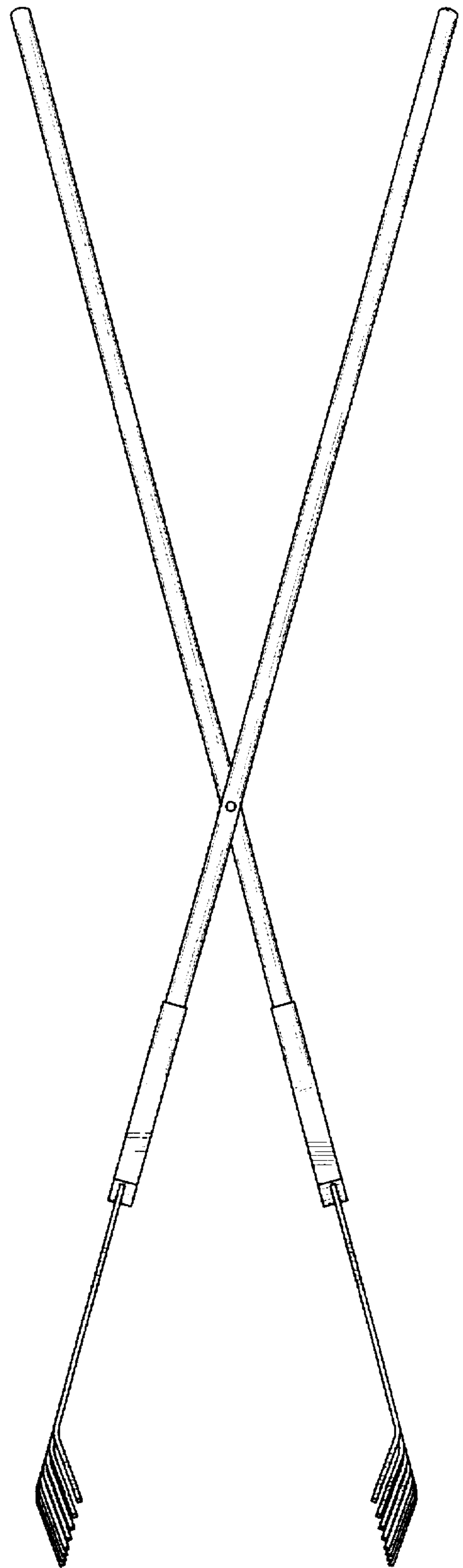


FIG. 5

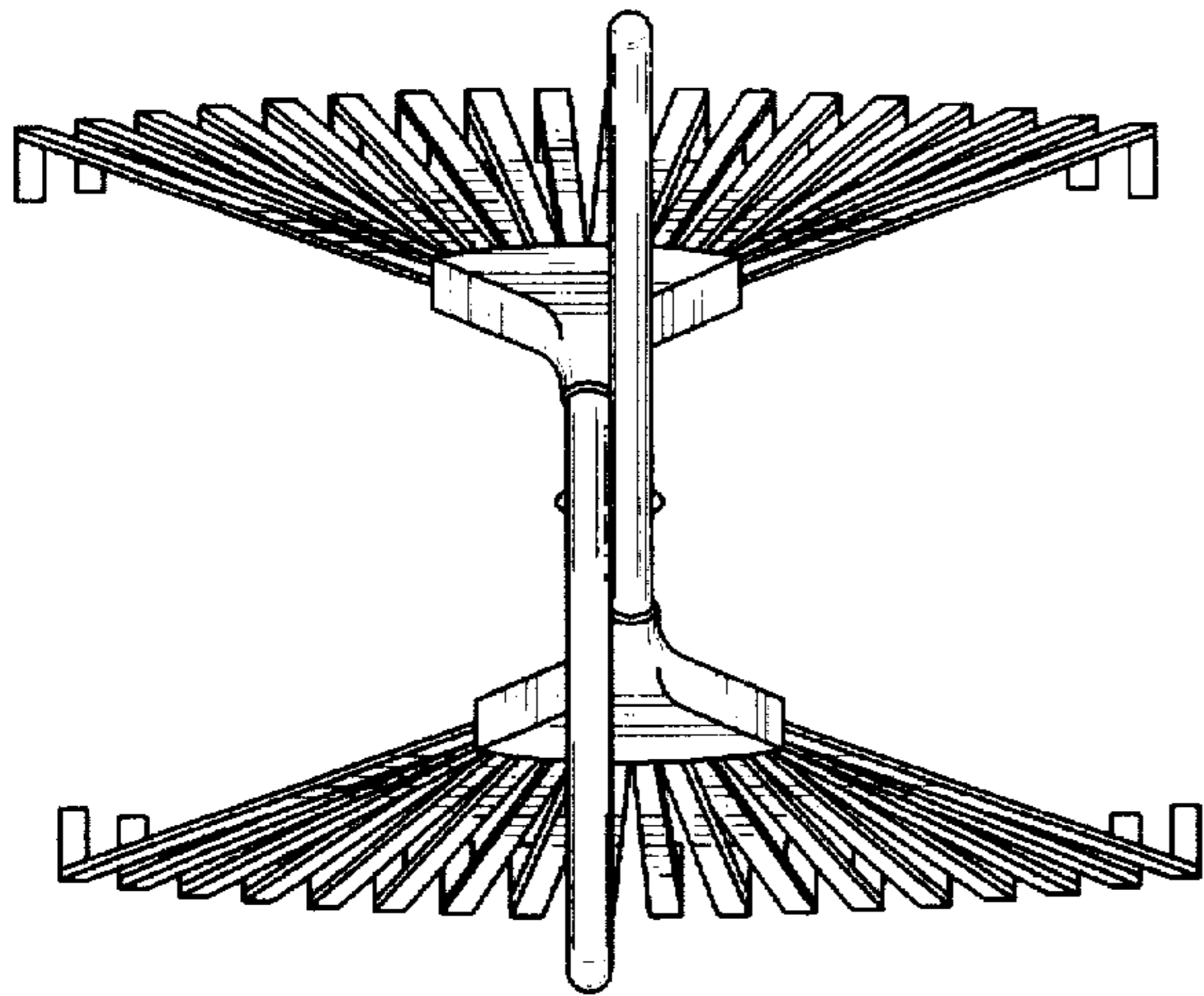


FIG. 6

