



US00D391813S

United States Patent [19]
Johnson

[11] **Patent Number: Des. 391,813**

[45] **Date of Patent: **Mar. 10, 1998**

[54] **NO LIFT RAKE**

[76] **Inventor: Roy D. Johnson, 2425 Old Alturas Rd.,
Redding, Calif. 96003**

[**] **Term: 14 Years**

[21] **Appl. No.: 53,002**

[22] **Filed: Mar. 22, 1996**

[51] **LOC (6) Cl. 08-01**

[52] **U.S. Cl. D8/13**

[58] **Field of Search D8/10, 13; D15/11,
D15/14, 16, 18; 56/400.04, 400.06, 400.14;
172/376, 357**

[56] **References Cited**

U.S. PATENT DOCUMENTS

736,878 8/1903 Reis 56/400.04

1,722,293 7/1929 Hoffman 172/376 X
2,511,642 6/1950 Law 172/357 X
5,054,278 10/1991 Thorndike 56/400.04 X
5,235,799 8/1993 Quesnelle et al. 56/400.04

Primary Examiner—Holly Baynham

[57] **CLAIM**

The ornamental design for a no lift rake, as shown and described.

DESCRIPTION

FIG. 1 is a front view of a rake, showing a new design;
FIG. 2 is a rear view thereof;
FIG. 3 is a three quarter view thereof; and,
FIG. 4 is a side view of thereof.

1 Claim, 2 Drawing Sheets

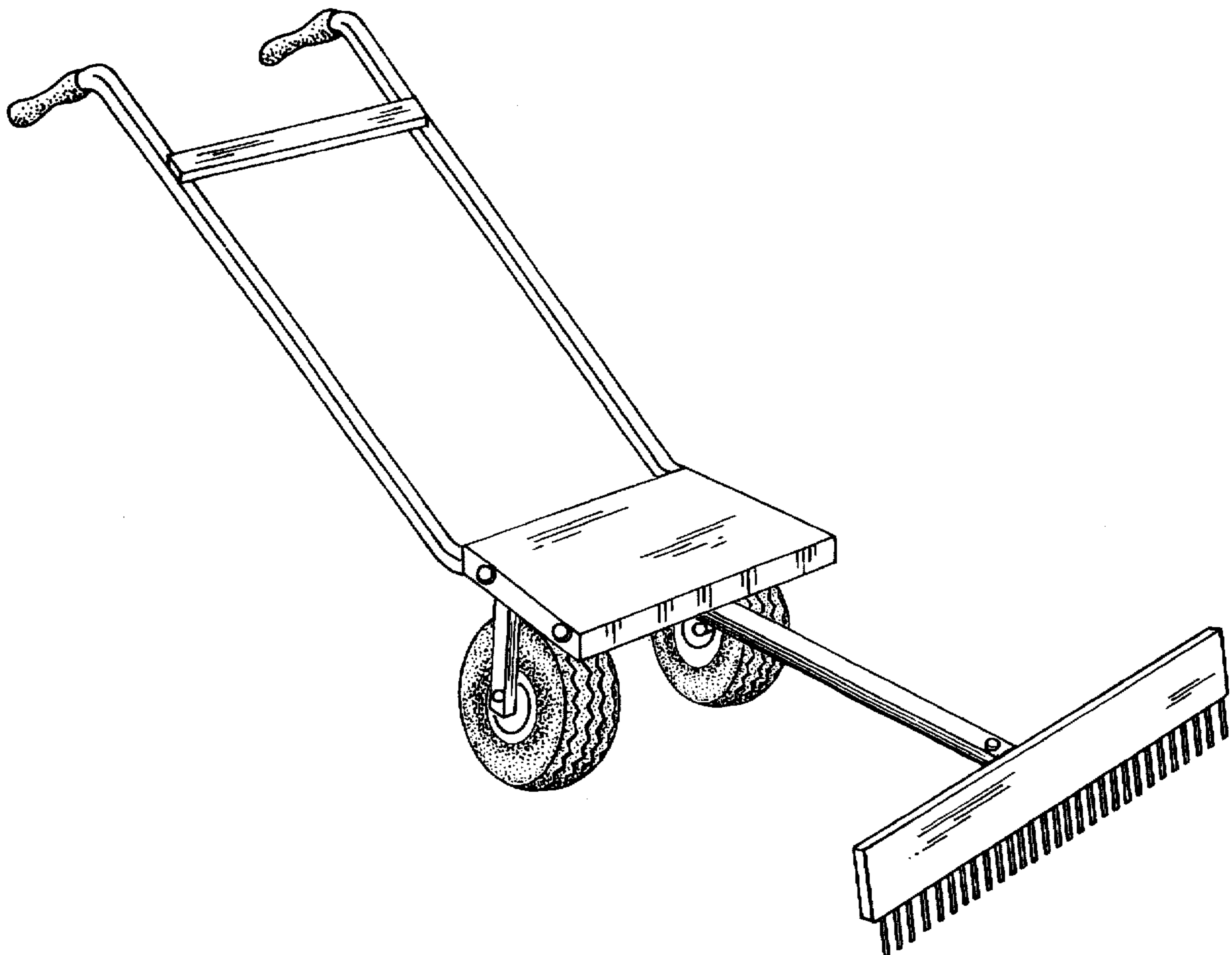


Figure 1

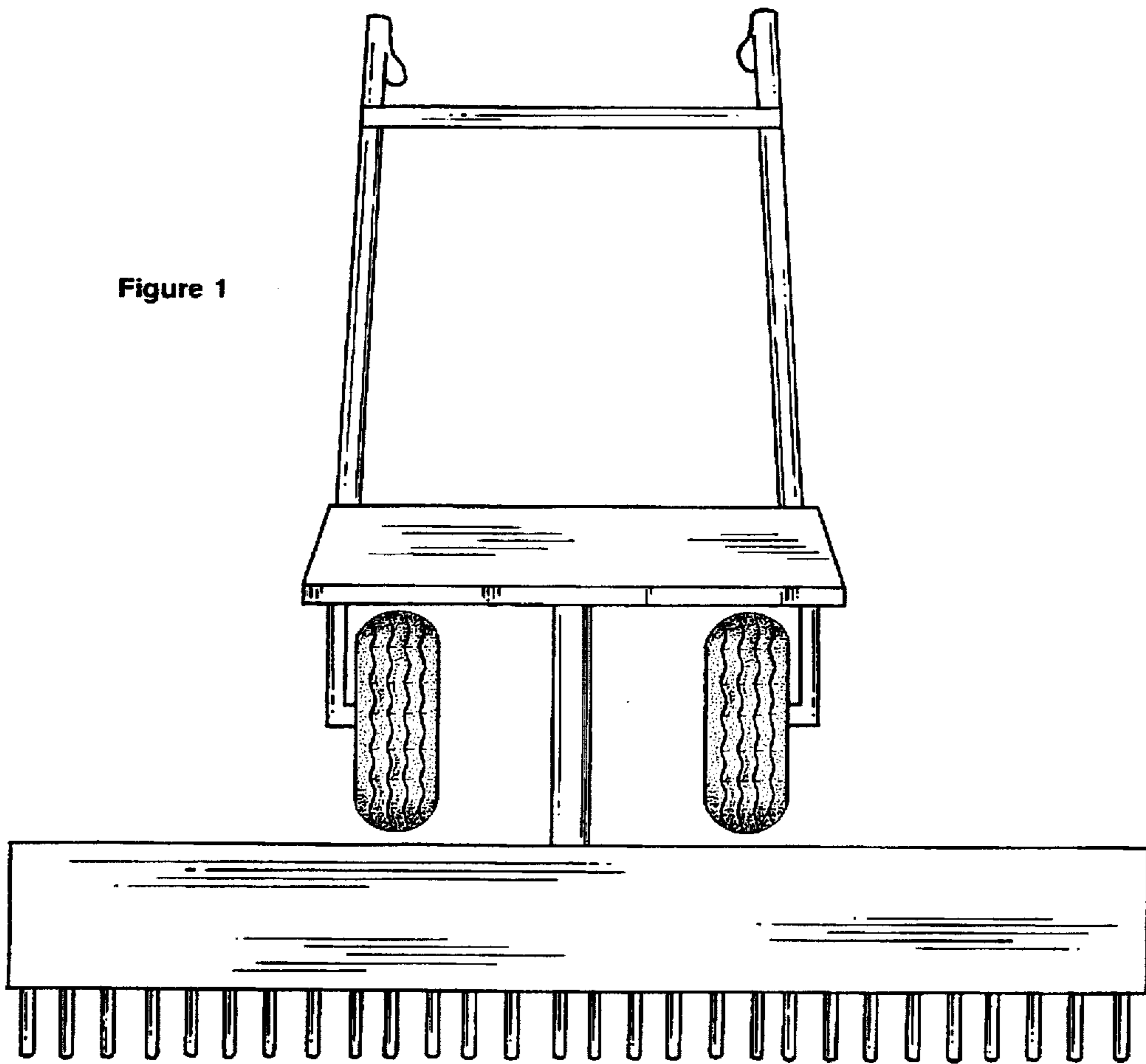
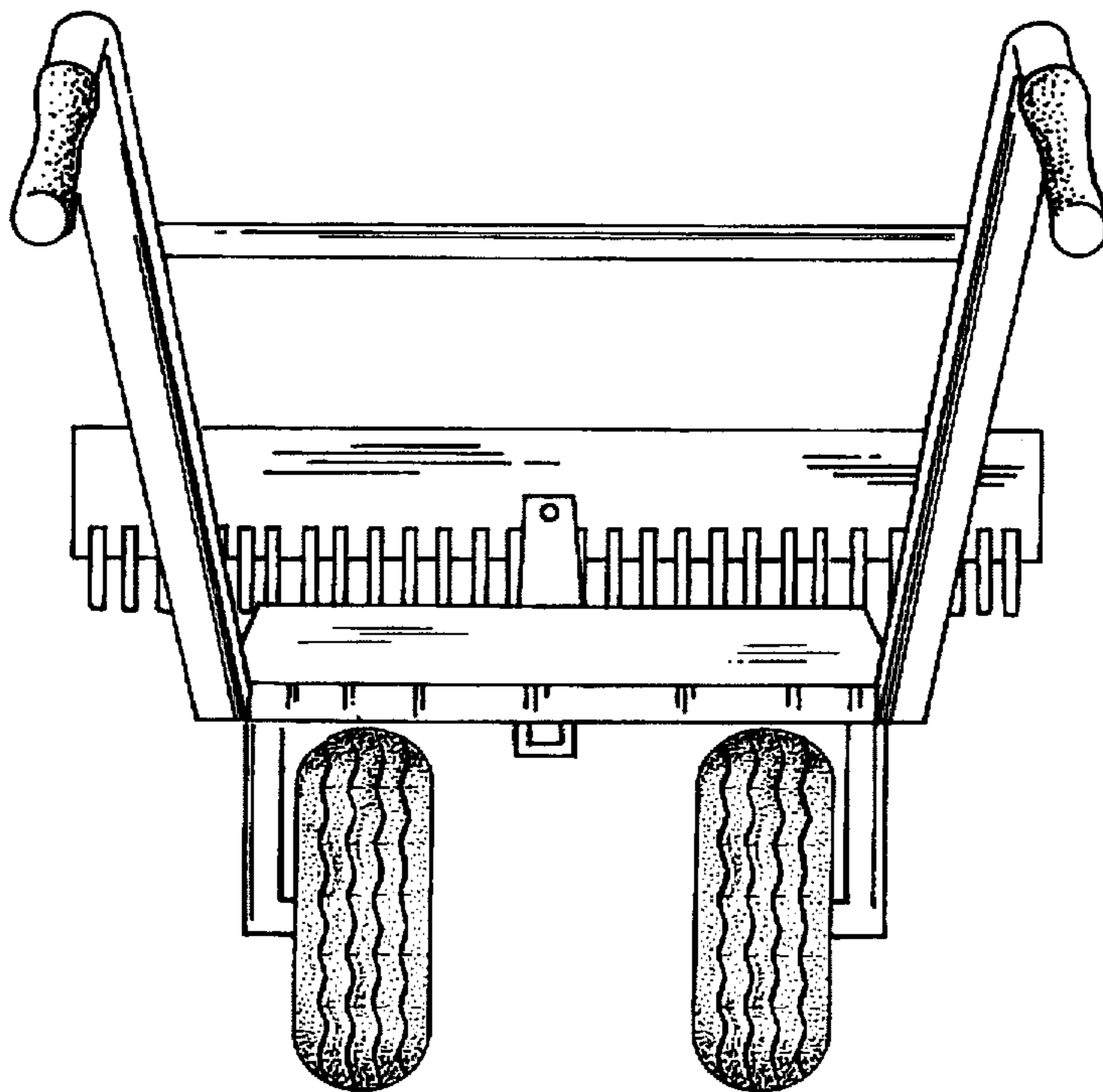


Figure 2



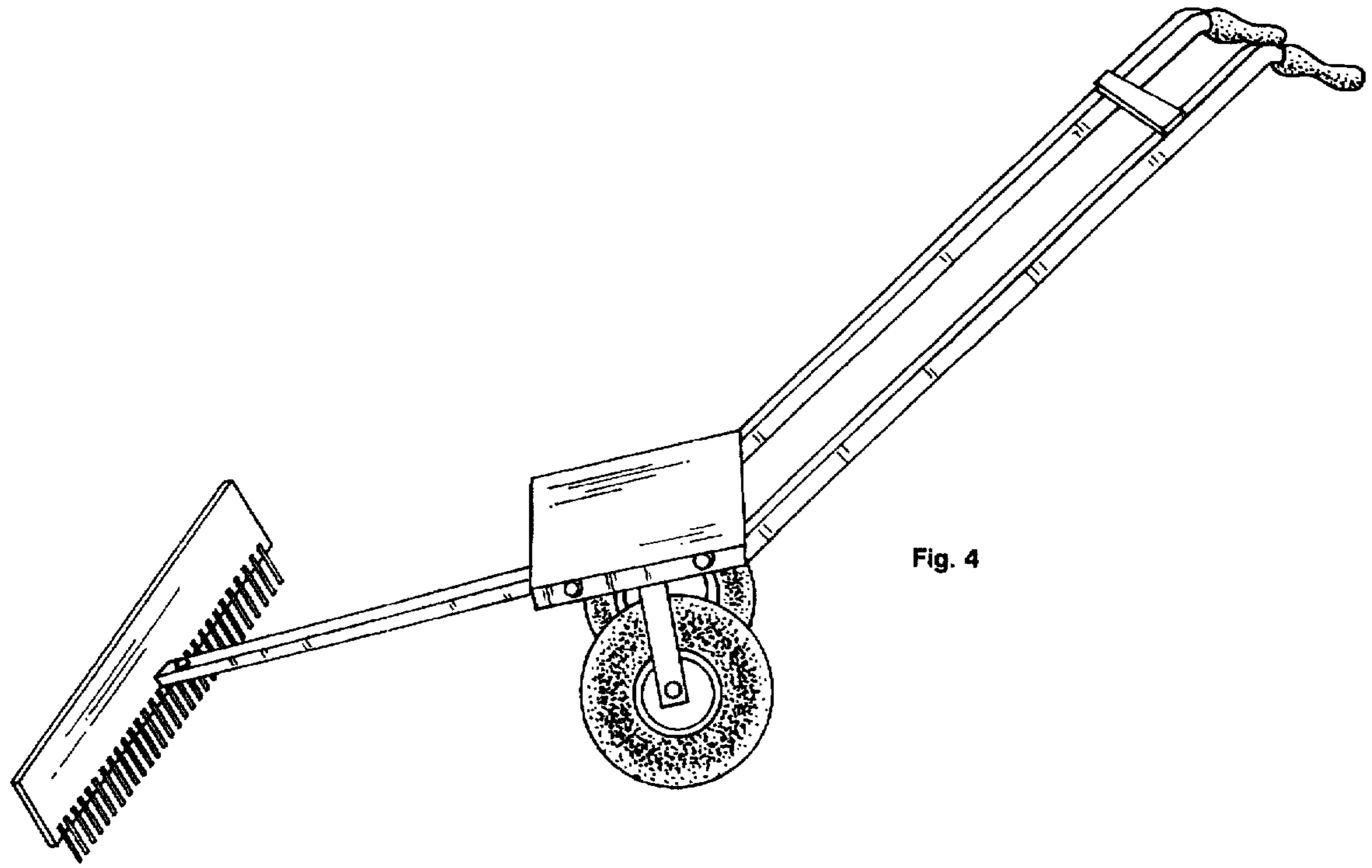


Fig. 4

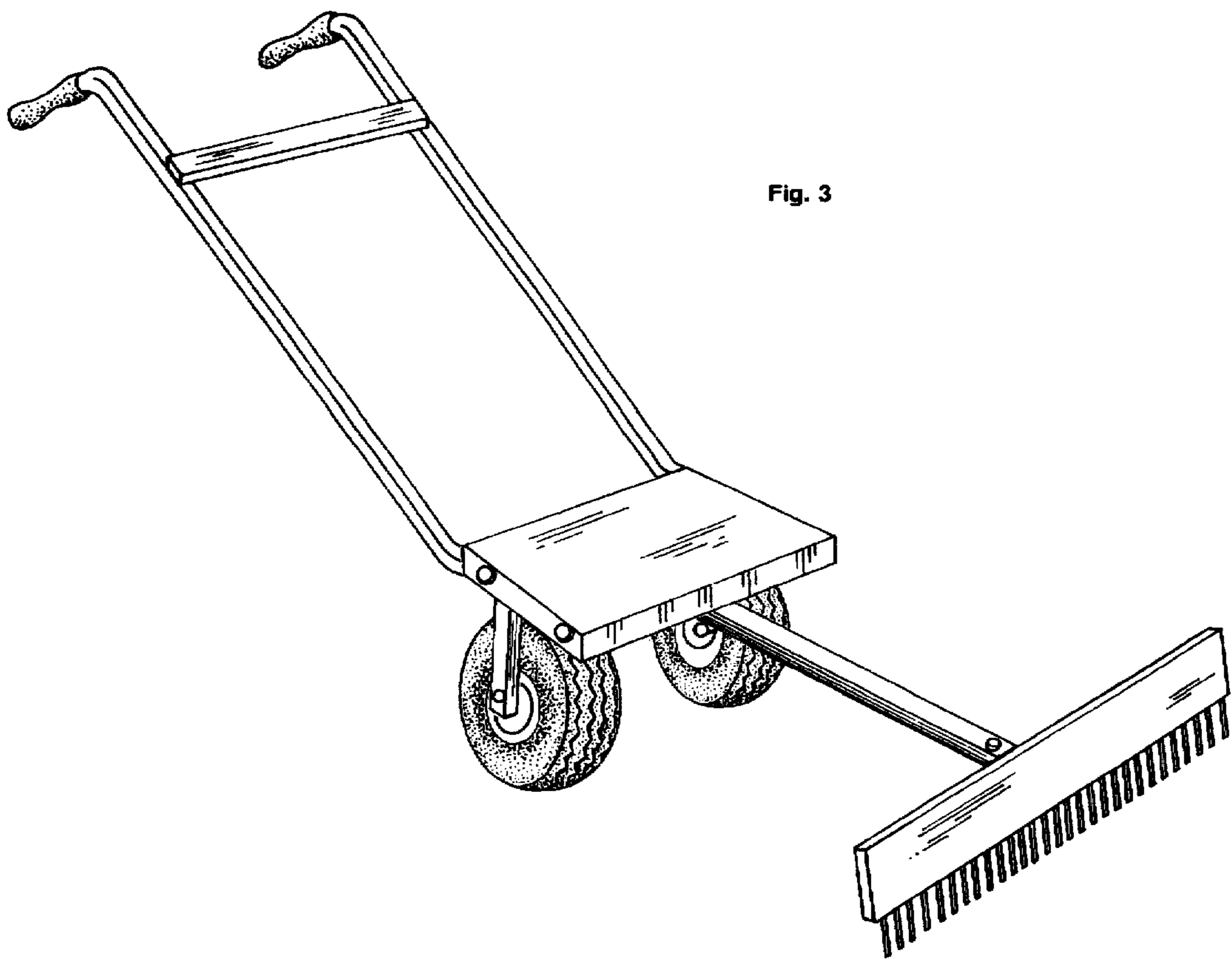


Fig. 3