



US00D391809S

United States Patent [19]

[11] Patent Number: **Des. 391,809**

Jeppesen et al.

[45] Date of Patent: ****Mar. 10, 1998**

[54] FOOD STORER AND SERVER

[75] Inventors: **Hanne Dalsgaard Jeppesen**, Holte;
Jakob Heiberg, Charlottenlund; **Stig Lillelund**, Gentofte, all of Denmark

[73] Assignee: **Dart Industries Inc.**, Orlando, Fla.

[**] Term: **14 Years**

[21] Appl. No.: **64,041**

[22] Filed: **Dec. 20, 1996**

[51] LOC (6) Cl. **07-01**

[52] U.S. Cl. **D7/629; D7/502**

[58] Field of Search **D7/502, 538-542,
D7/629; D9/424, 430-432; 220/337, 445,
796, 799, 352, 353, 675**

[56] References Cited

U.S. PATENT DOCUMENTS

D. 158,999	6/1950	Paul	D7/673 X
D. 302,924	8/1989	Daenen et al.	D7/502
2,716,814	9/1955	Lerner	D7/673 X
3,426,935	2/1969	Swett	D7/502 X

OTHER PUBLICATIONS

"Better Homes & Gardens", p. 131, Butter Dish, Apr. 1980.

Primary Examiner—Terry A. Wallace
Attorney, Agent, or Firm—John A. Doninger

[57] CLAIM

The ornamental design for a food storer and server, as shown and described.

DESCRIPTION

FIG. 1 is a top, front and end perspective view of a food storer and server showing our new design;

FIG. 2 is an exploded perspective view thereof;

FIG. 3 is an exploded perspective view thereof with the tray inverted;

FIG. 4 is a top plan view thereof;

FIG. 5 is a bottom plan view thereof;

FIG. 6 is a rear elevation view thereof;

FIG. 7 is a front elevation view thereof;

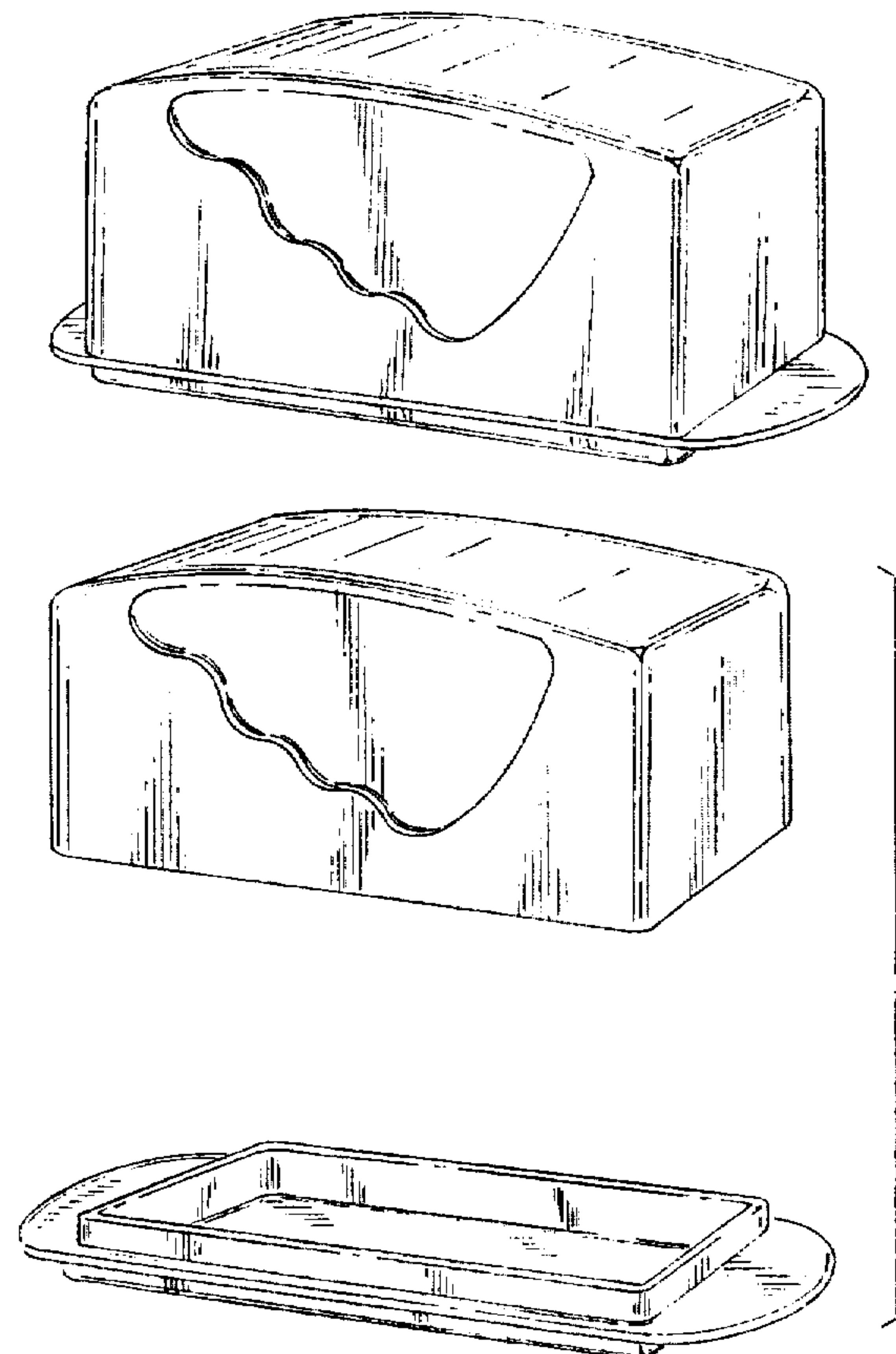
FIG. 8 is a right end elevational view thereof;

FIG. 9 is a left end elevation view thereof;

FIG. 10 is a cross-section thereof taken on line 10—10 in FIG. 4; and,

FIG. 11 is a cross-section thereof taken on line 11—11 in FIG. 4.

1 Claim, 5 Drawing Sheets



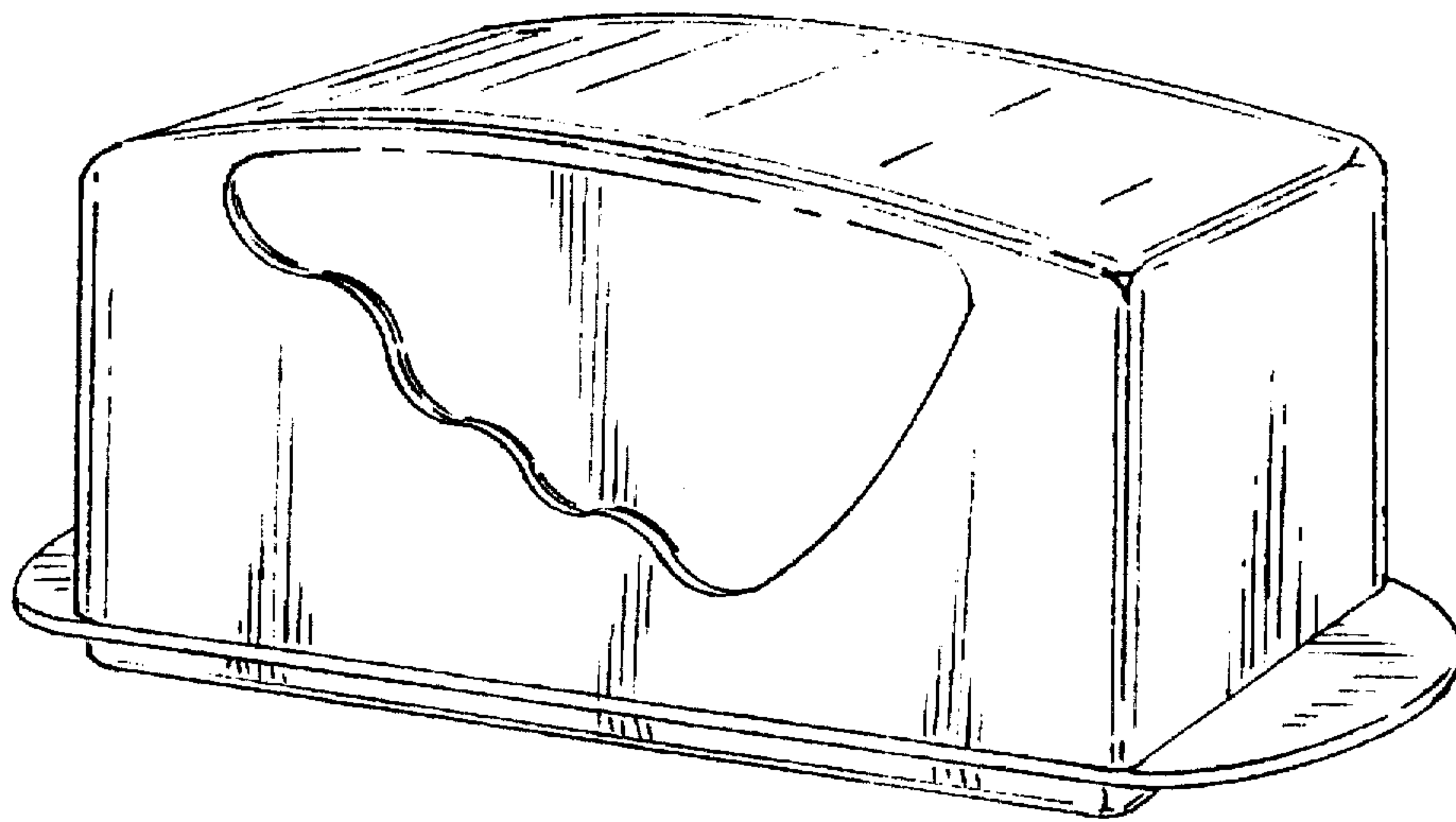


FIG. 1

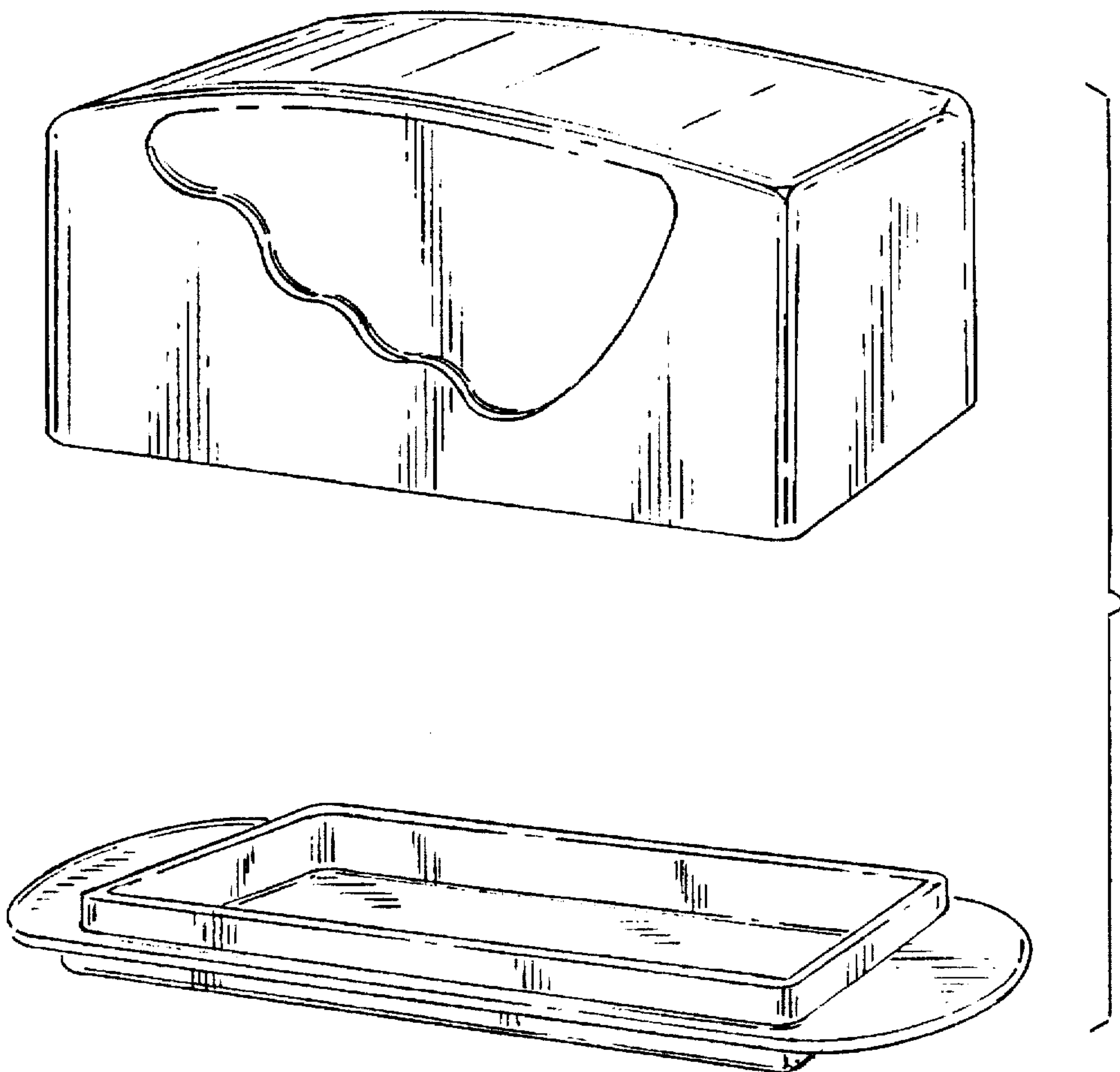


FIG. 2

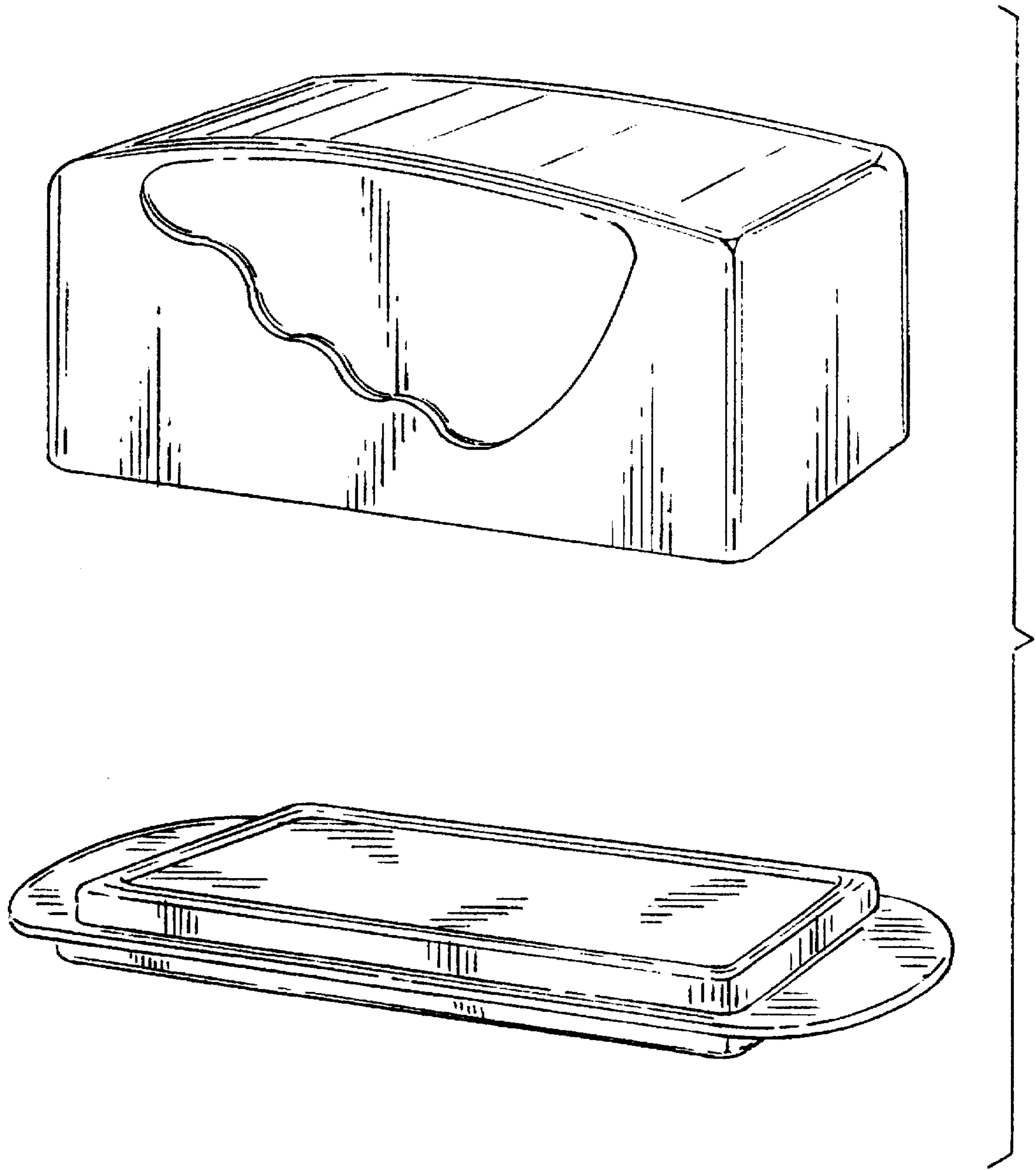


FIG. 3

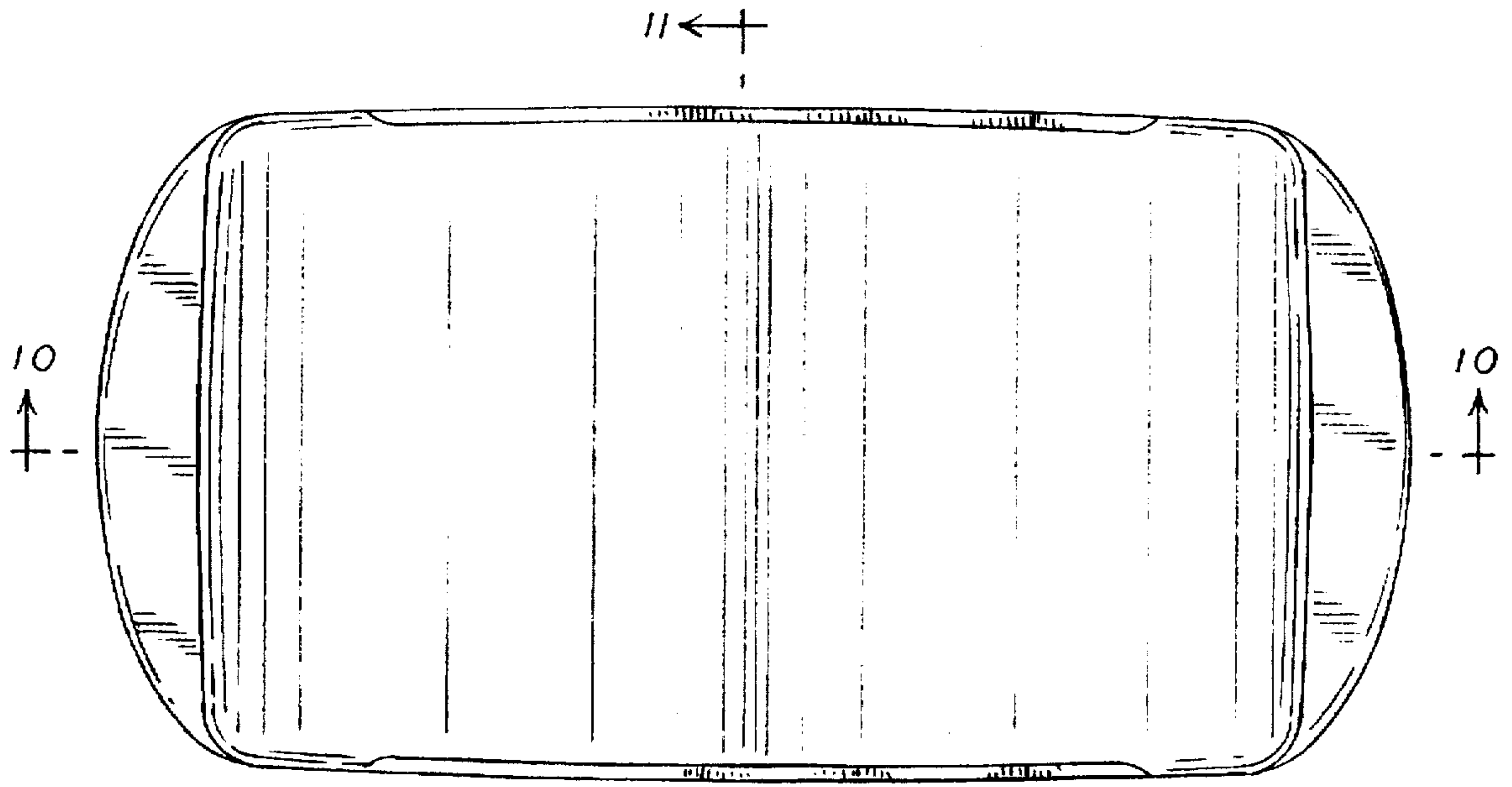


FIG. 4

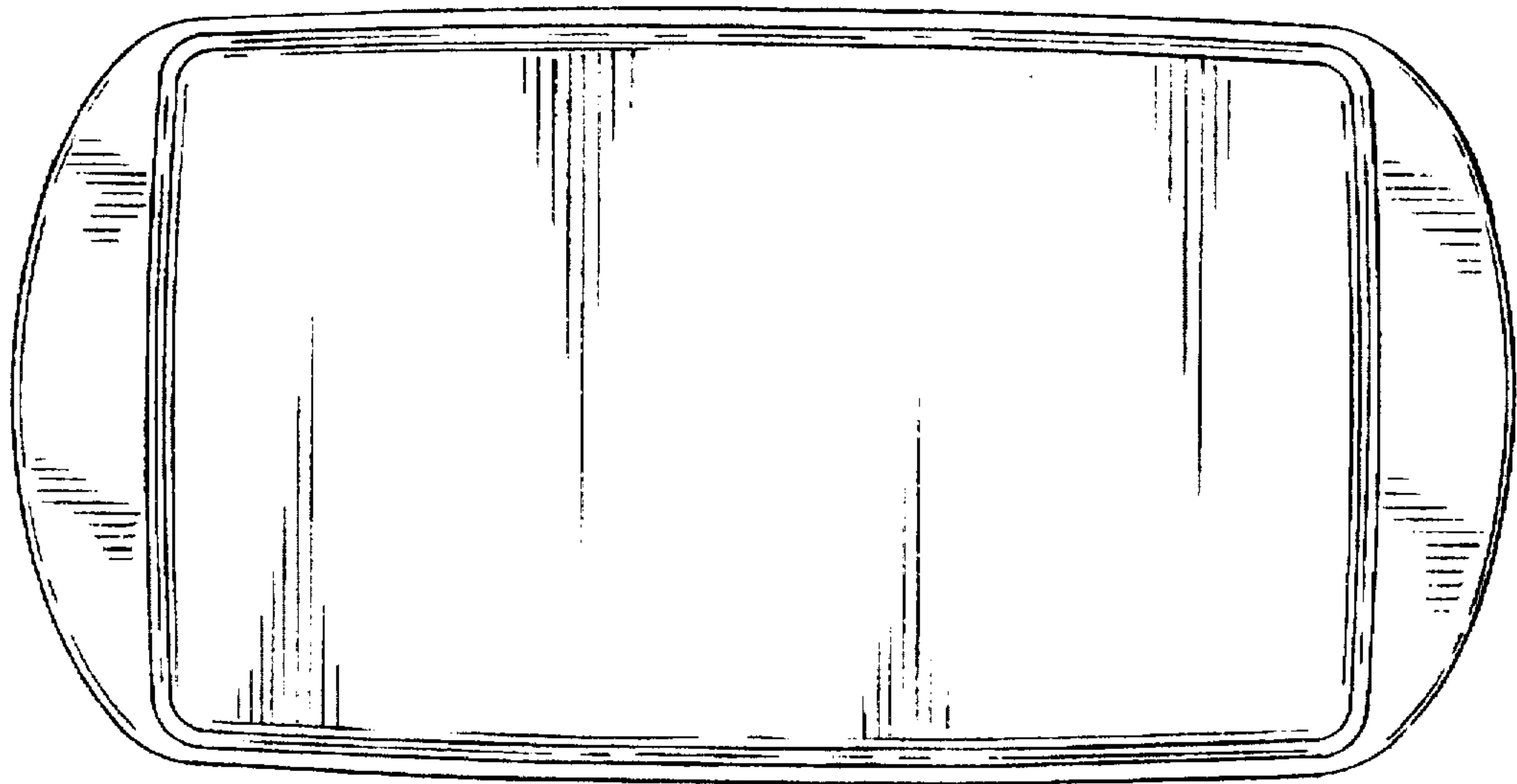


FIG. 5

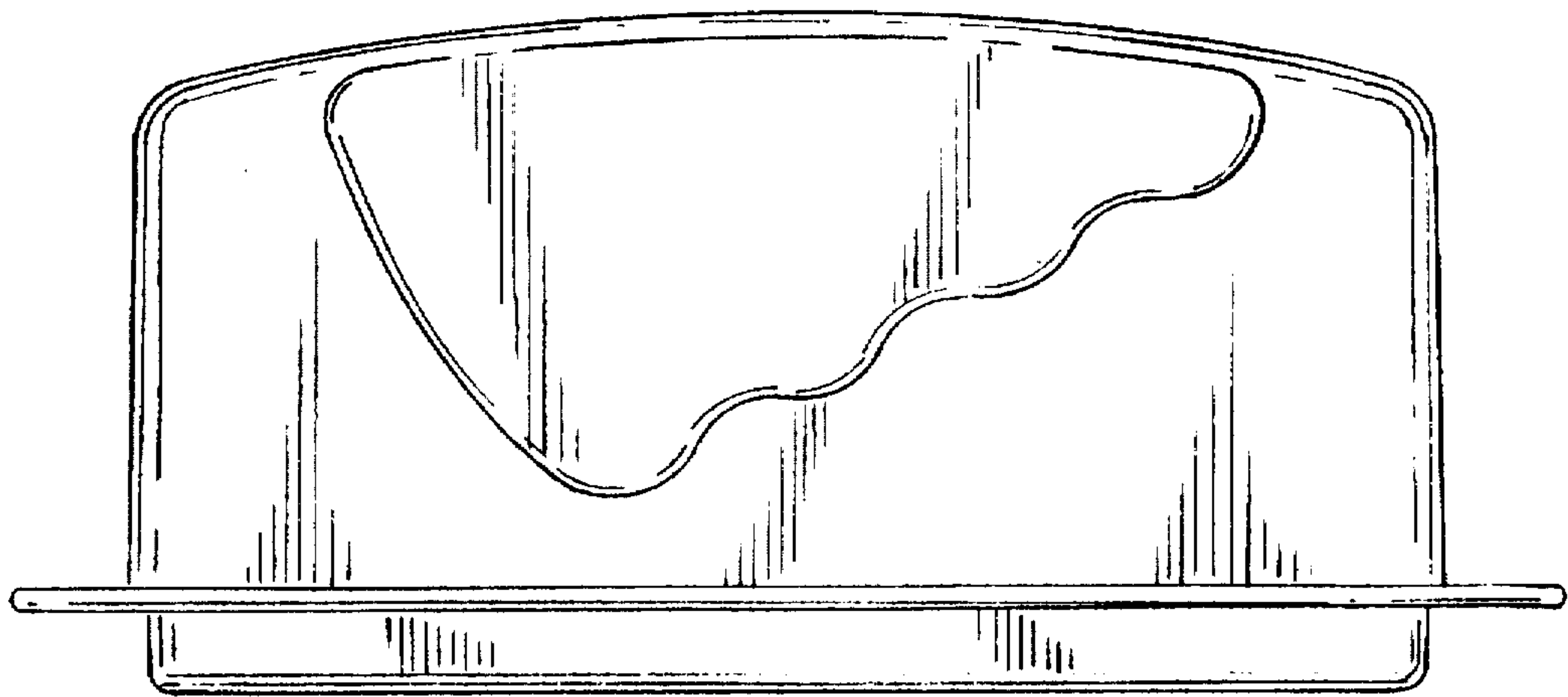


FIG. 6

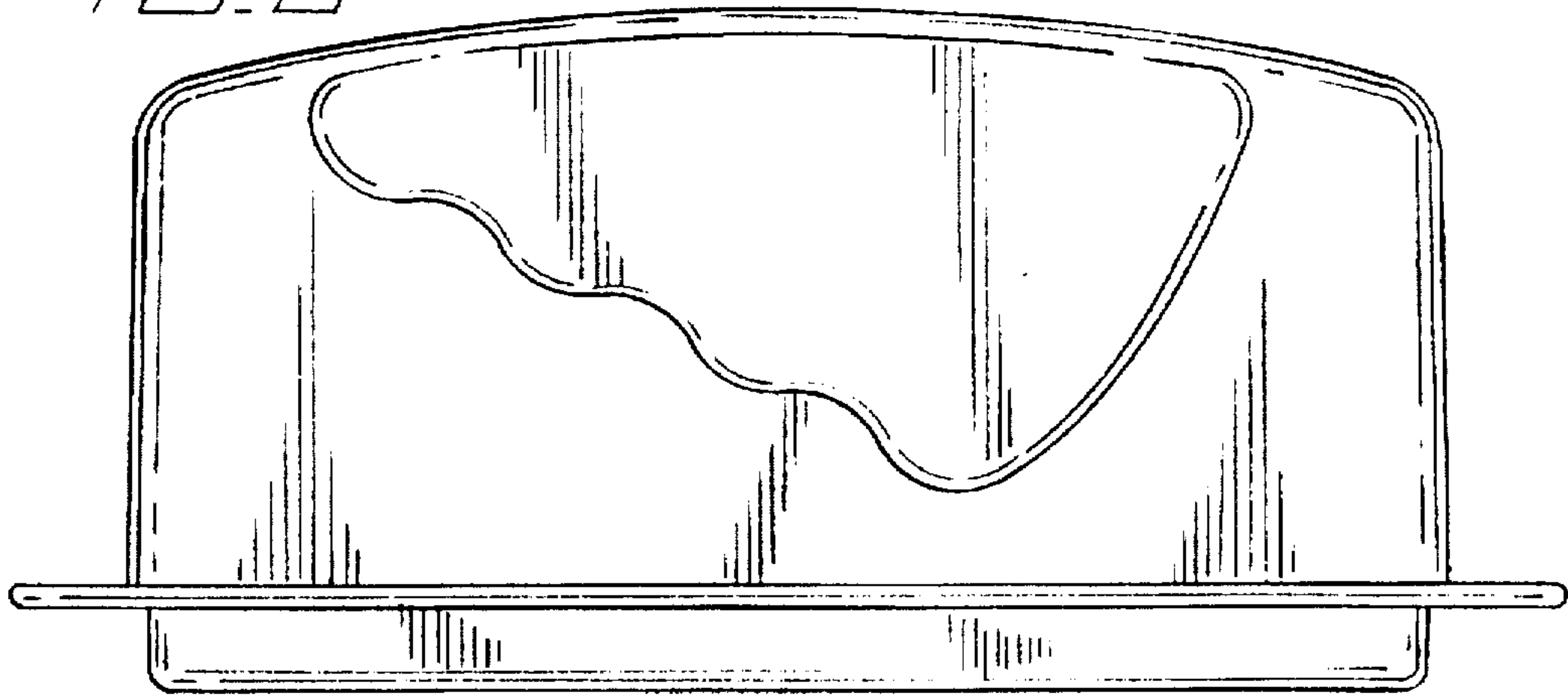


FIG. 7

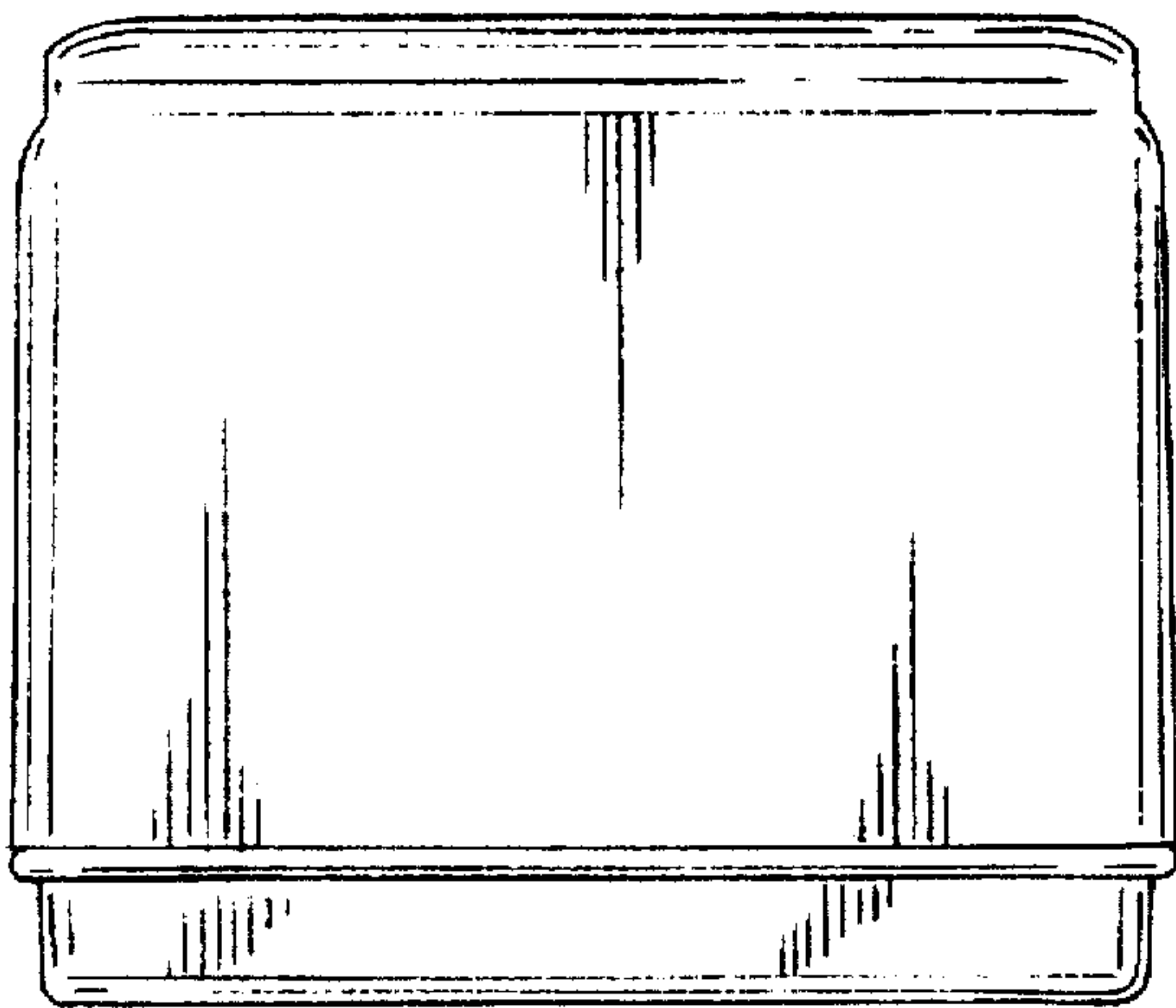


FIG. 8

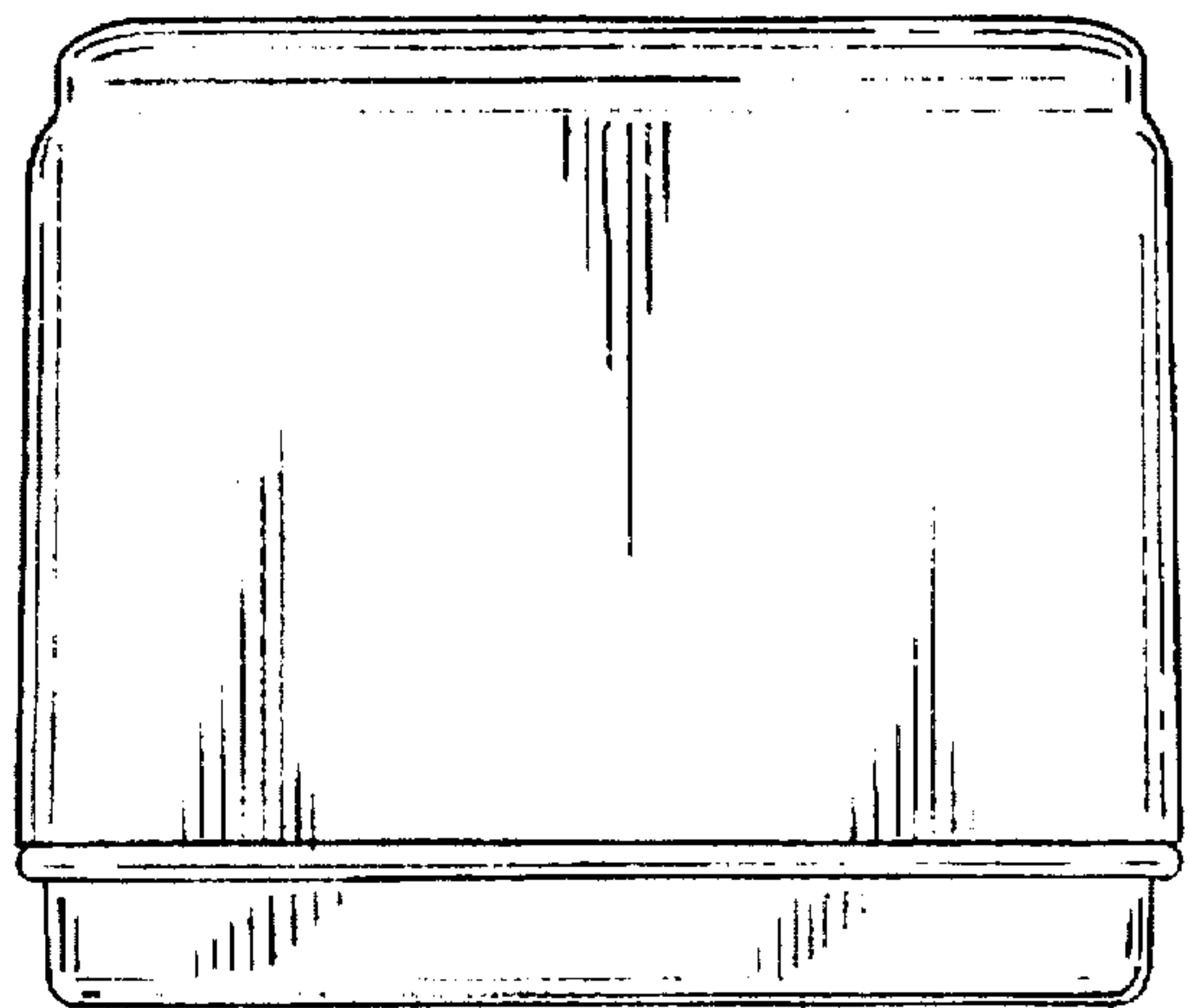


FIG. 9

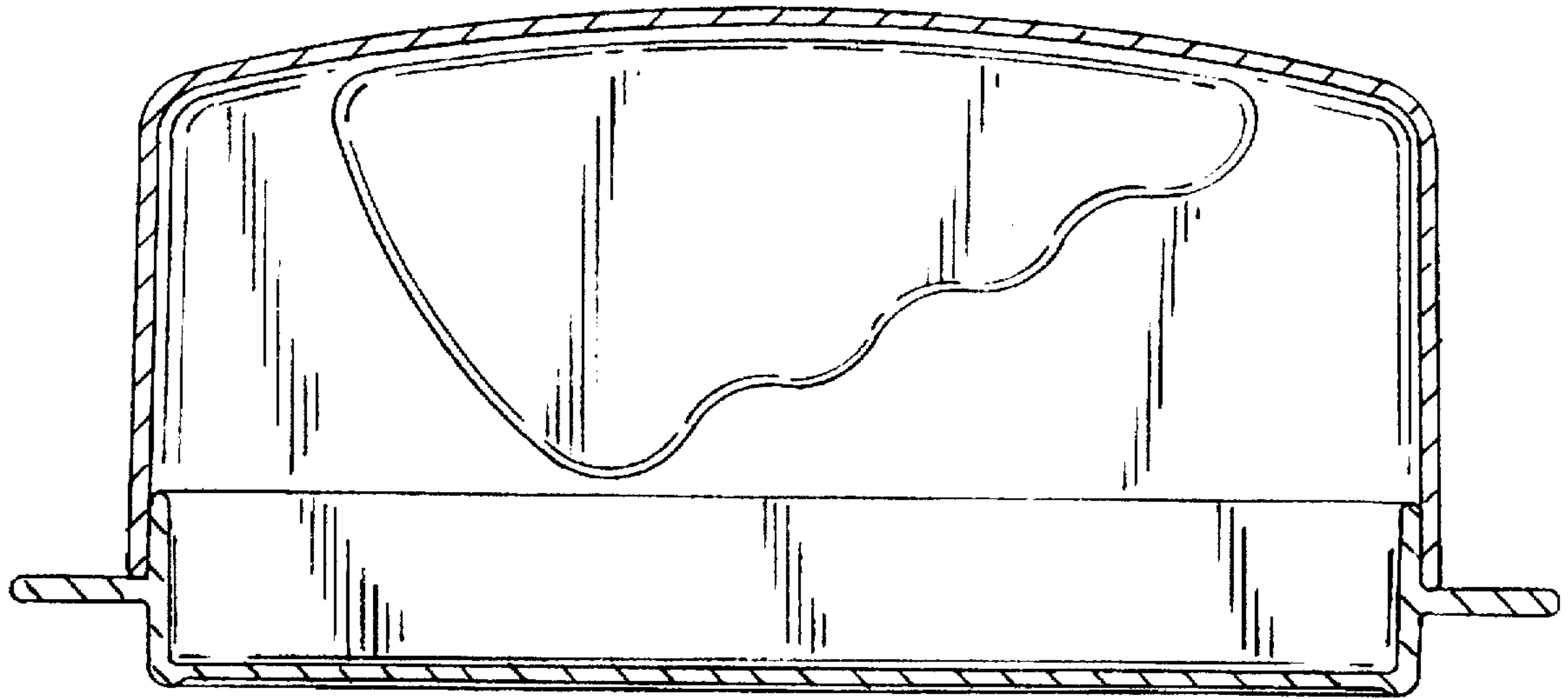


FIG. 10

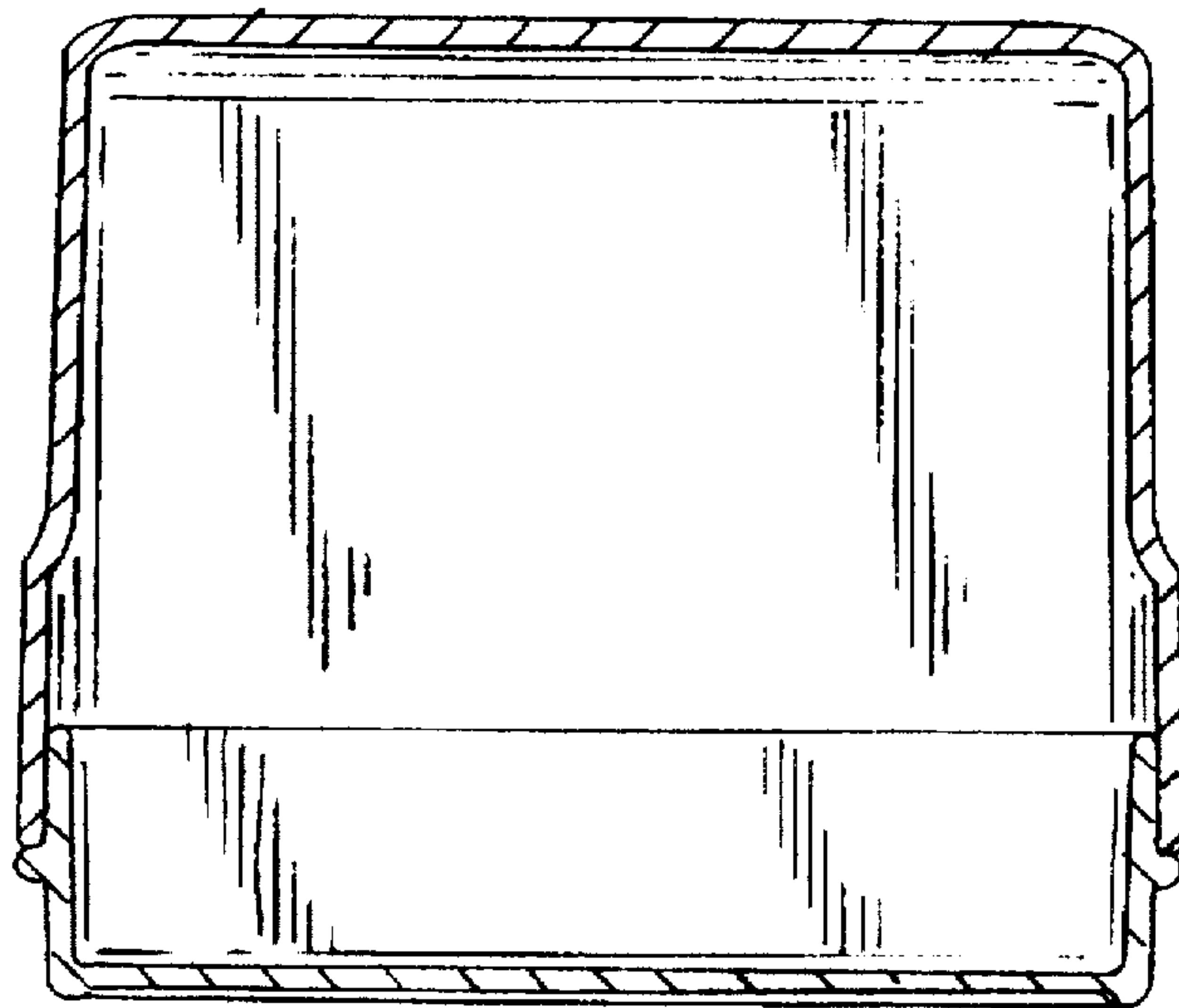


FIG. 11