



US00D391806S

United States Patent [19]
Khubani

[11] **Patent Number: Des. 391,806**

[45] **Date of Patent: **Mar. 10, 1998**

[54] **WHISK FOR A MIXER**

[75] **Inventor: Ashok Khubani, Fairfield, N.J.**

[73] **Assignee: Ontel Products Corporation, Fairfield, N.J.**

[**] **Term: 14 Years**

[21] **Appl. No.: 54,733**

[22] **Filed: May 21, 1996**

[51] **LOC (6) Cl. 31-00**

[52] **U.S. Cl. D7/412**

[58] **Field of Search D7/372, 376, 378, D7/380, 384, 412, 690; 99/348; 206/219; 219/621, 652, 663; 366/69, 98, 83, 129, 130, 188, 189, 194, 208, 221, 247, 248, 298, 300, 320, 333, 344, 343, 601, 605; 416/63, 170 R, 176; 425/377**

[56] **References Cited**

U.S. PATENT DOCUMENTS

- D. 154,202 6/1949 Hutton D7/380
- D. 320,326 10/1991 Barrault D7/384
- D. 365,246 12/1995 Staffin et al. D7/376

OTHER PUBLICATIONS

Bloomington flyer; Washington Post, p. 10; Donvier Shakemaker, top right, Nov. 9, 1986.

Primary Examiner—Caron D. Veynar

Attorney, Agent, or Firm—Sterne, Kessler, Goldstein & Fox P.L.L.C.

[57] **CLAIM**

The ornamental design for a whisk for a mixer, as shown and described.

DESCRIPTION

FIG. 1 is a front elevational view of a whisk for a mixer showing my new design, the rear elevational view thereof being the same;

FIG. 2 is a side elevational view thereof, the other side elevational view thereof being the same;

FIG. 3 is a perspective view thereof;

FIG. 4 is a top plan view thereof, the bottom view is flat and unornamented;

FIG. 5 is a front elevational view of an alternate embodiment of the whisk for a mixer, the rear elevational view thereof being the same;

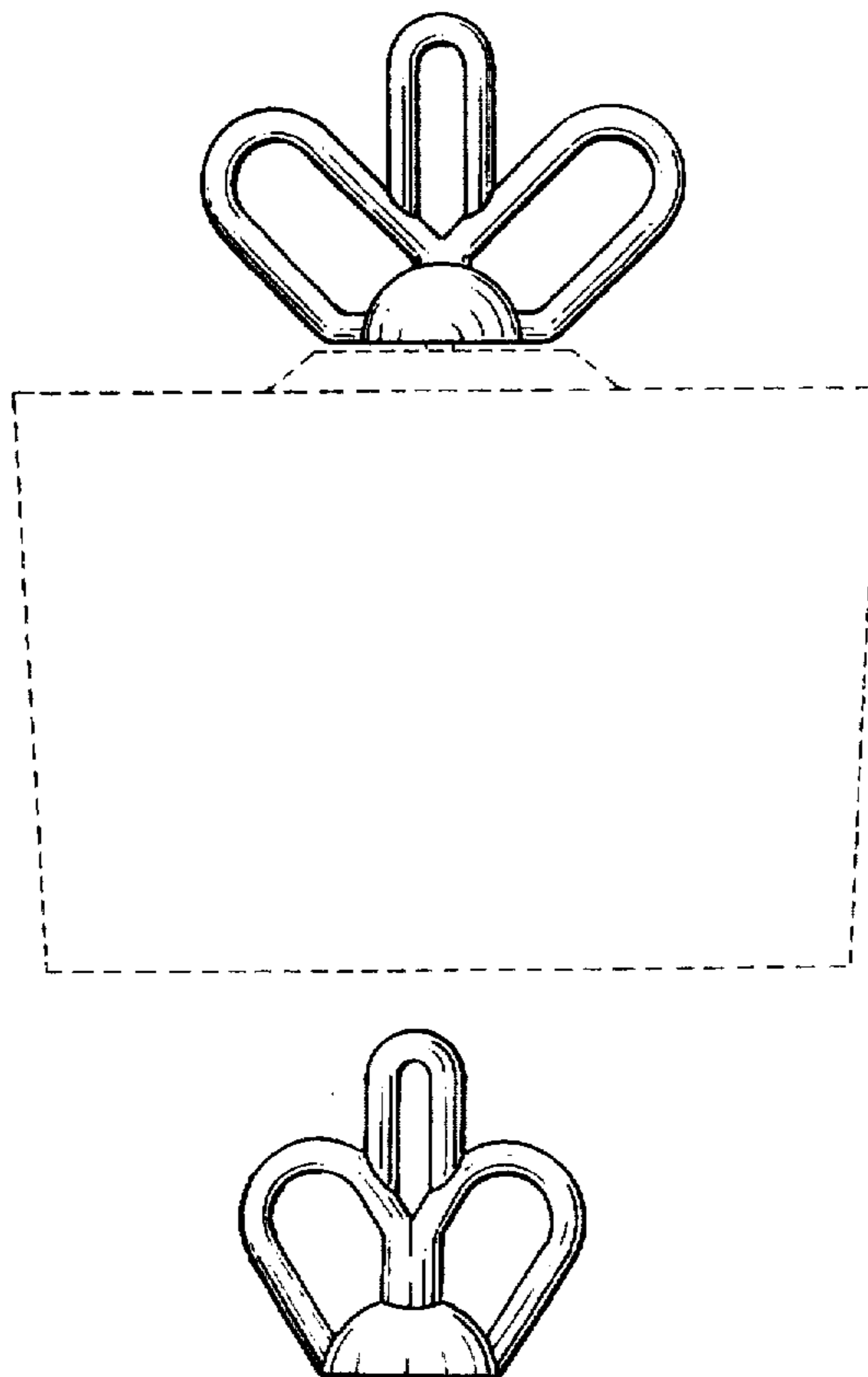
FIG. 6 is a side elevational view thereof, the other side elevational view thereof being the same;

FIG. 7 is a bottom plan view thereof; and,

FIG. 8 is a top plan view thereof.

The broken line showing of a base in FIGS. 1-4 is environmental only and forms no part of the claimed design.

1 Claim, 5 Drawing Sheets



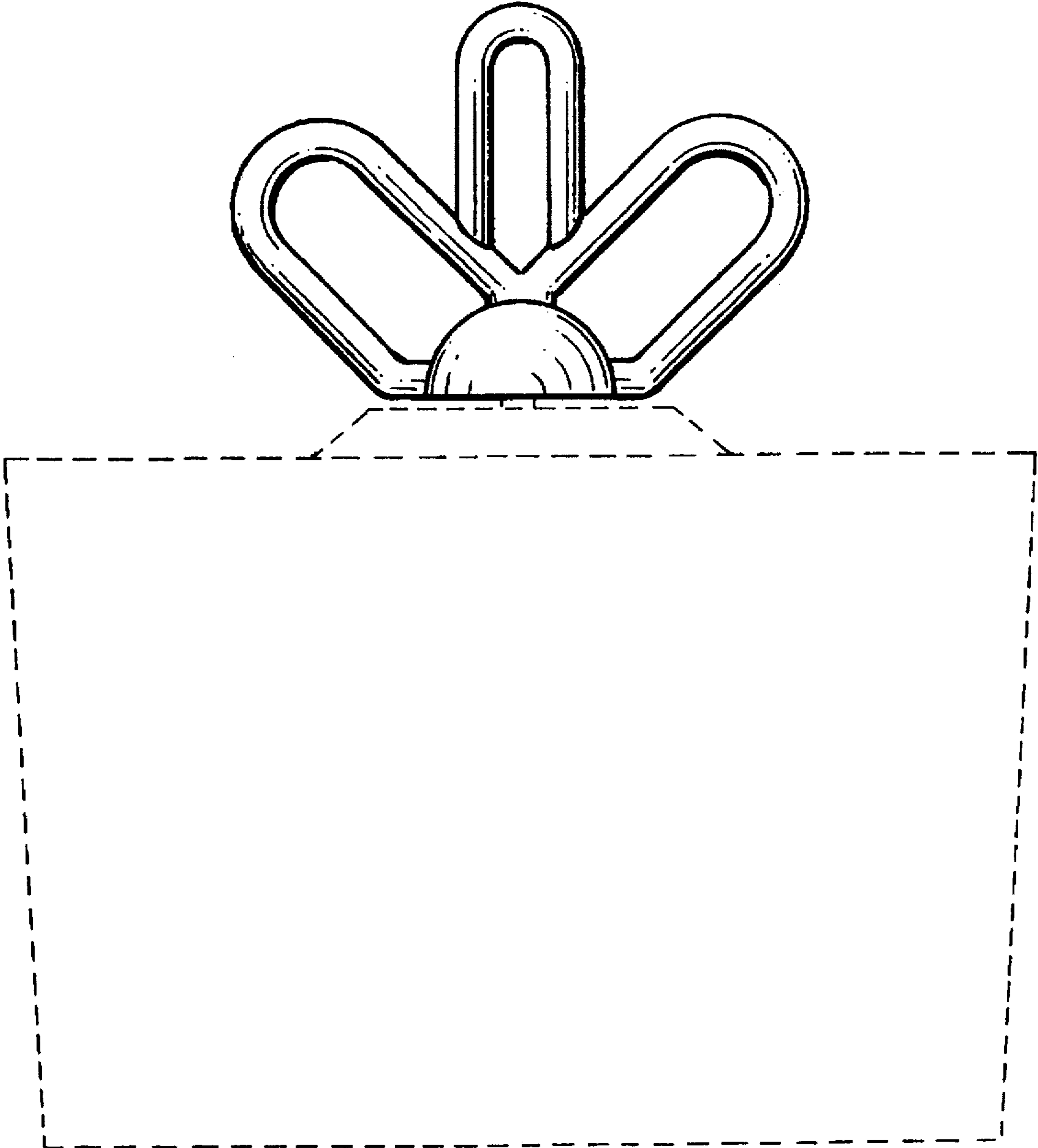


FIG. 1

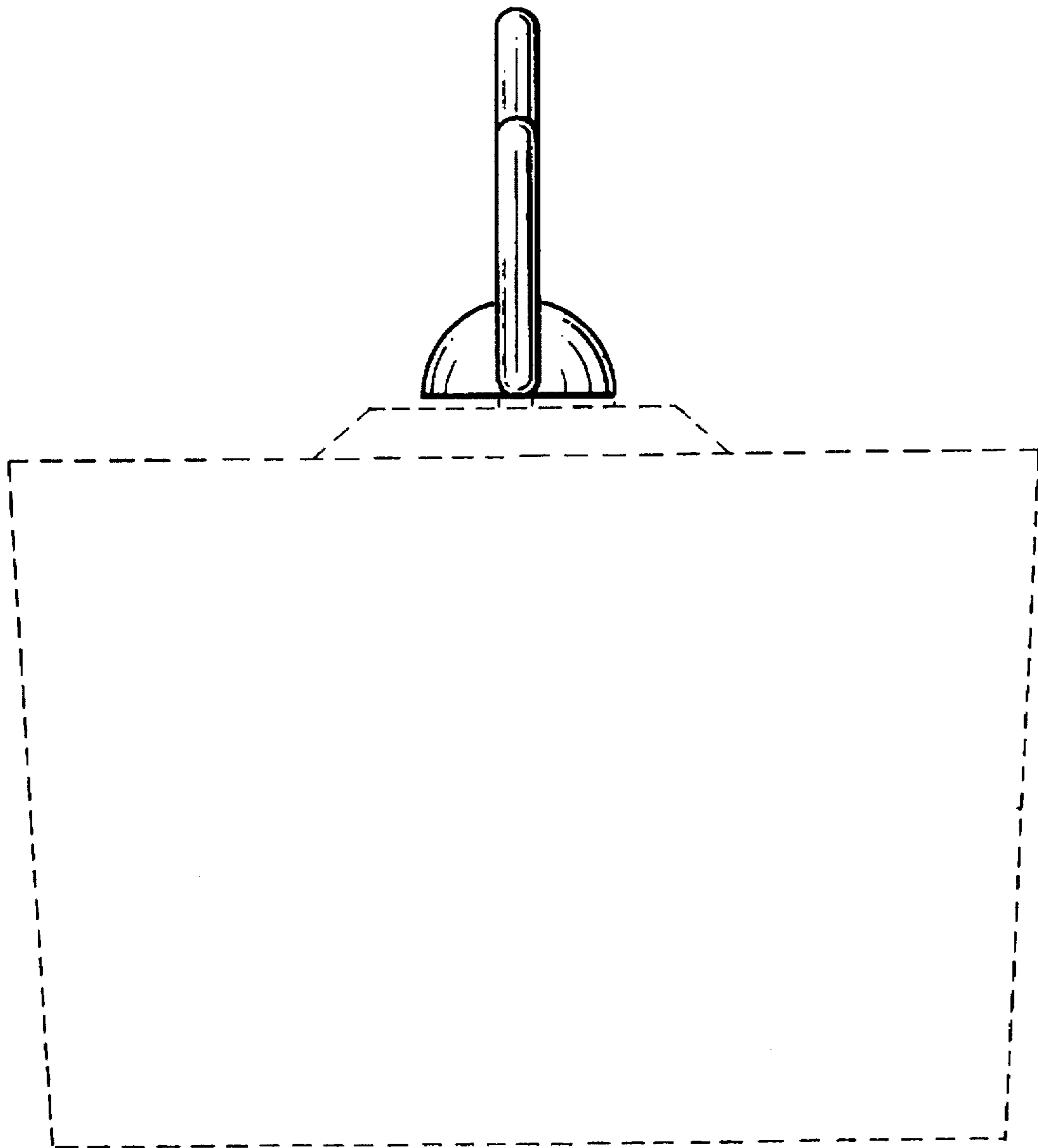


FIG. 2

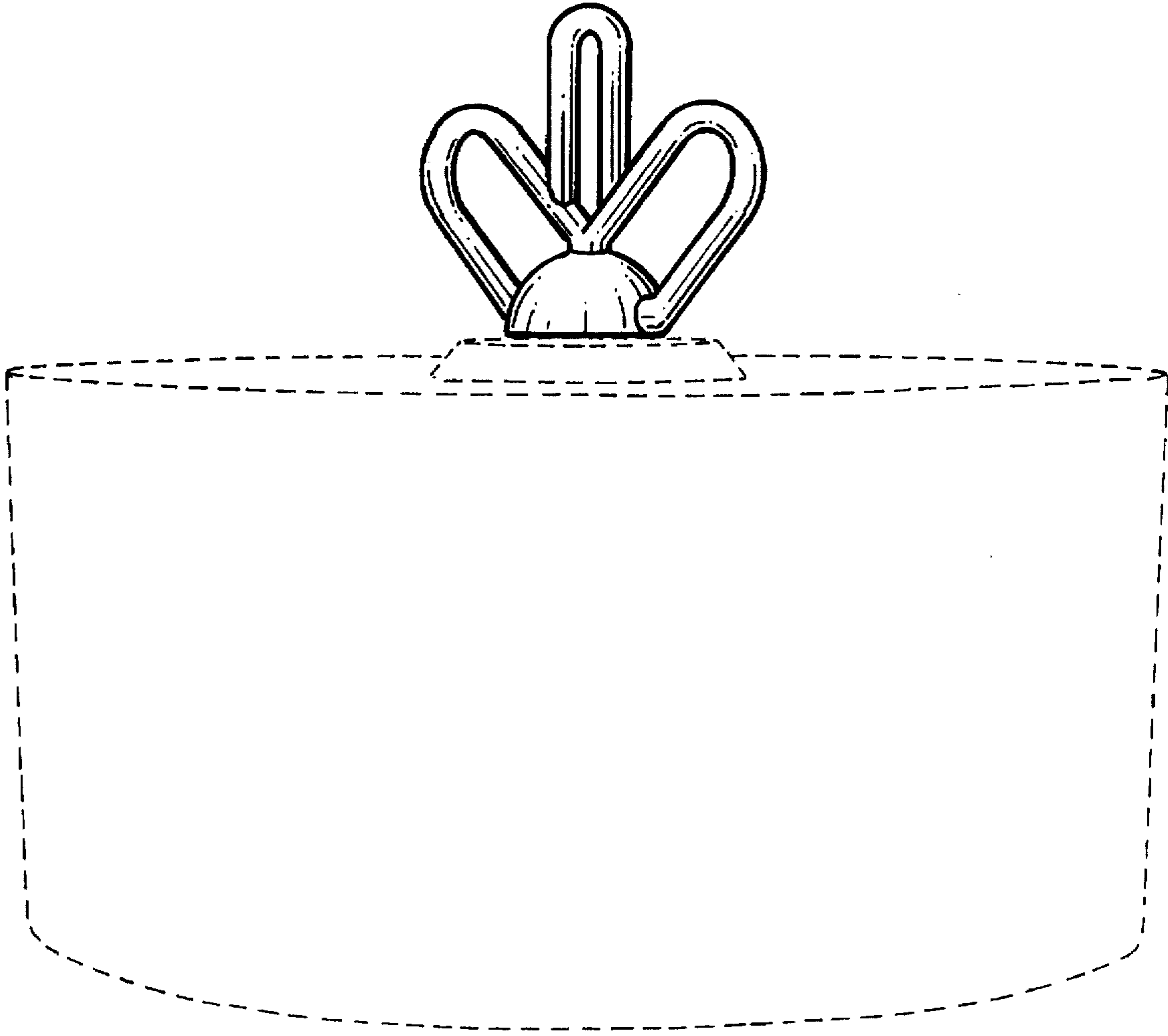


FIG. 3

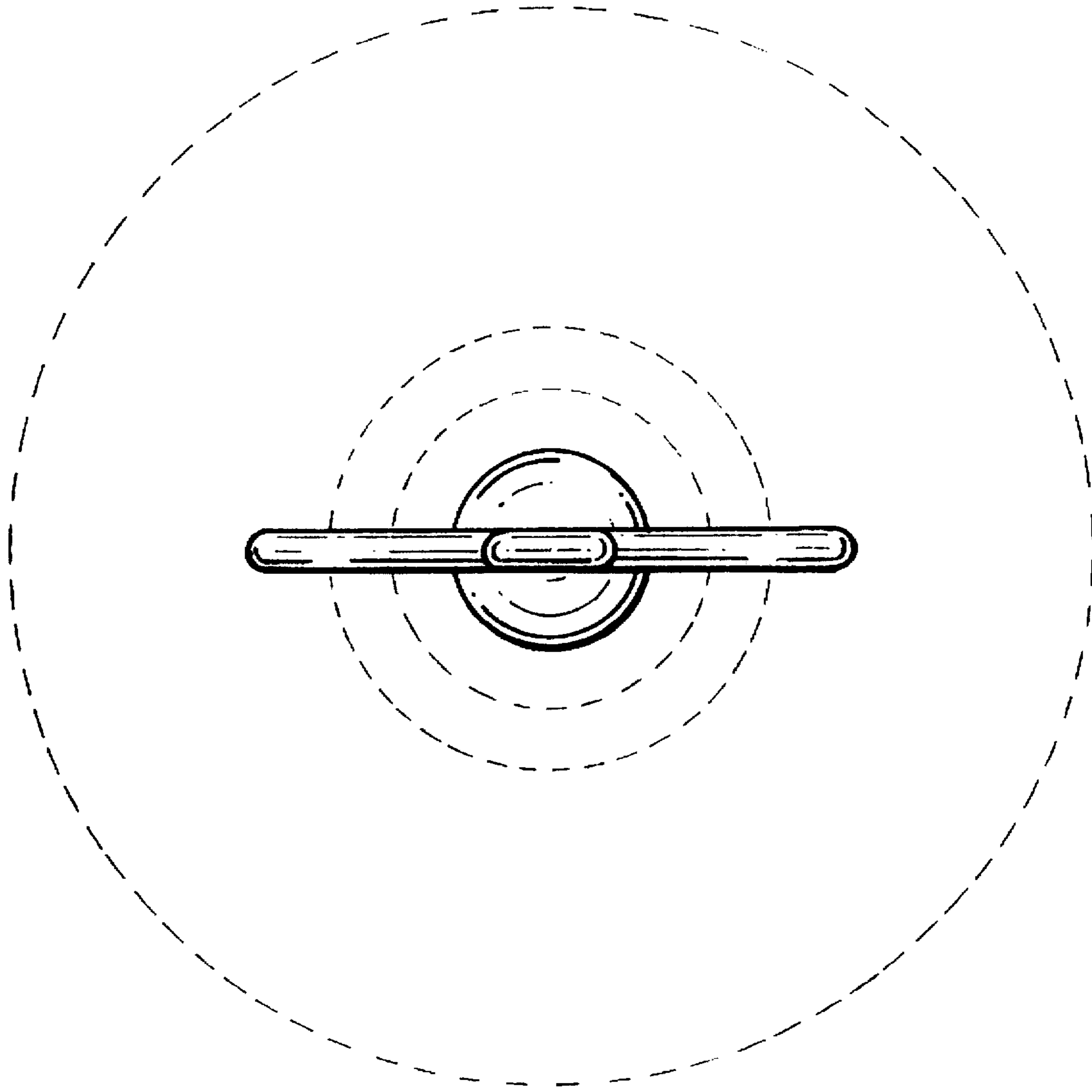


FIG. 4

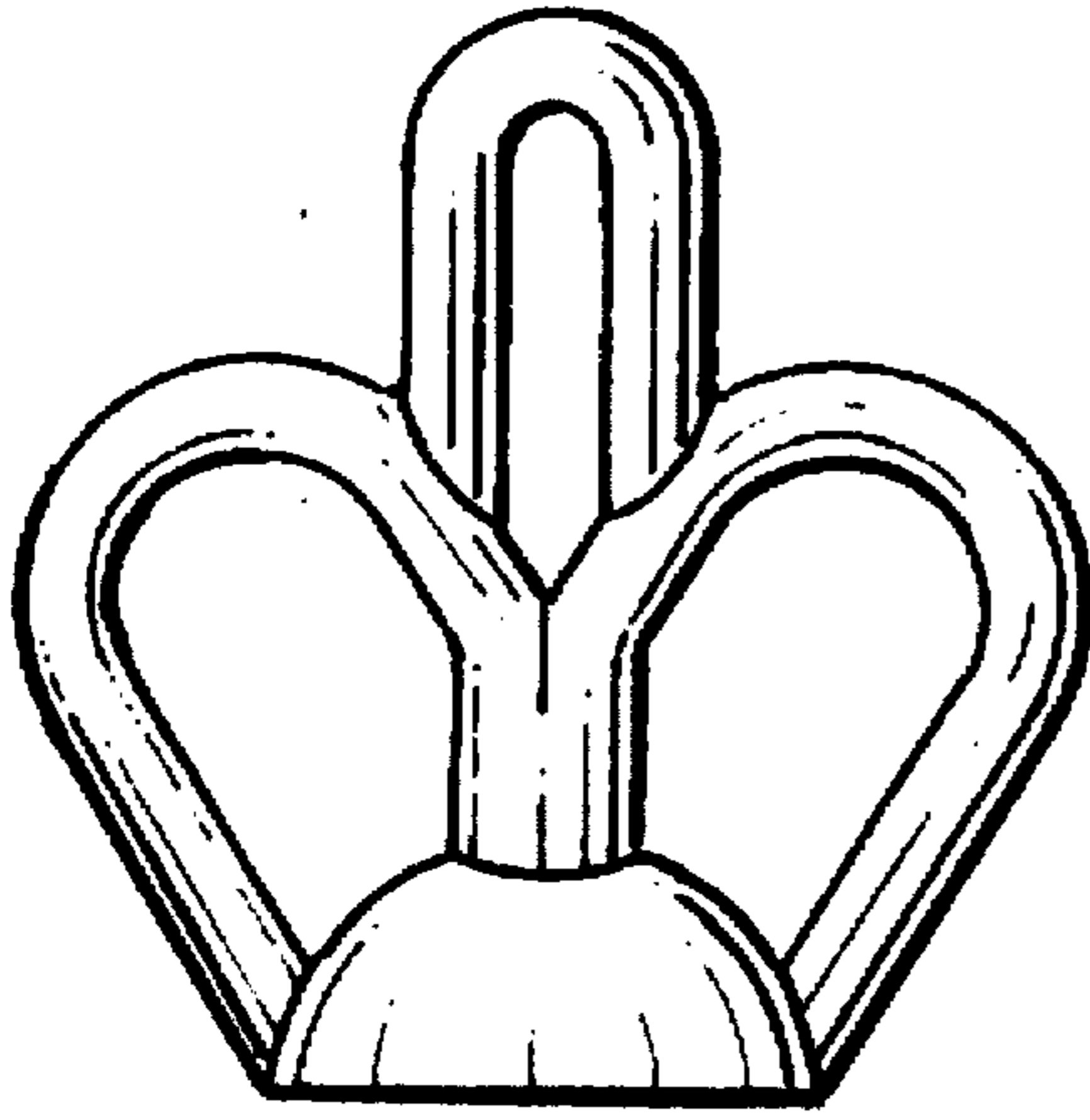


FIG. 5

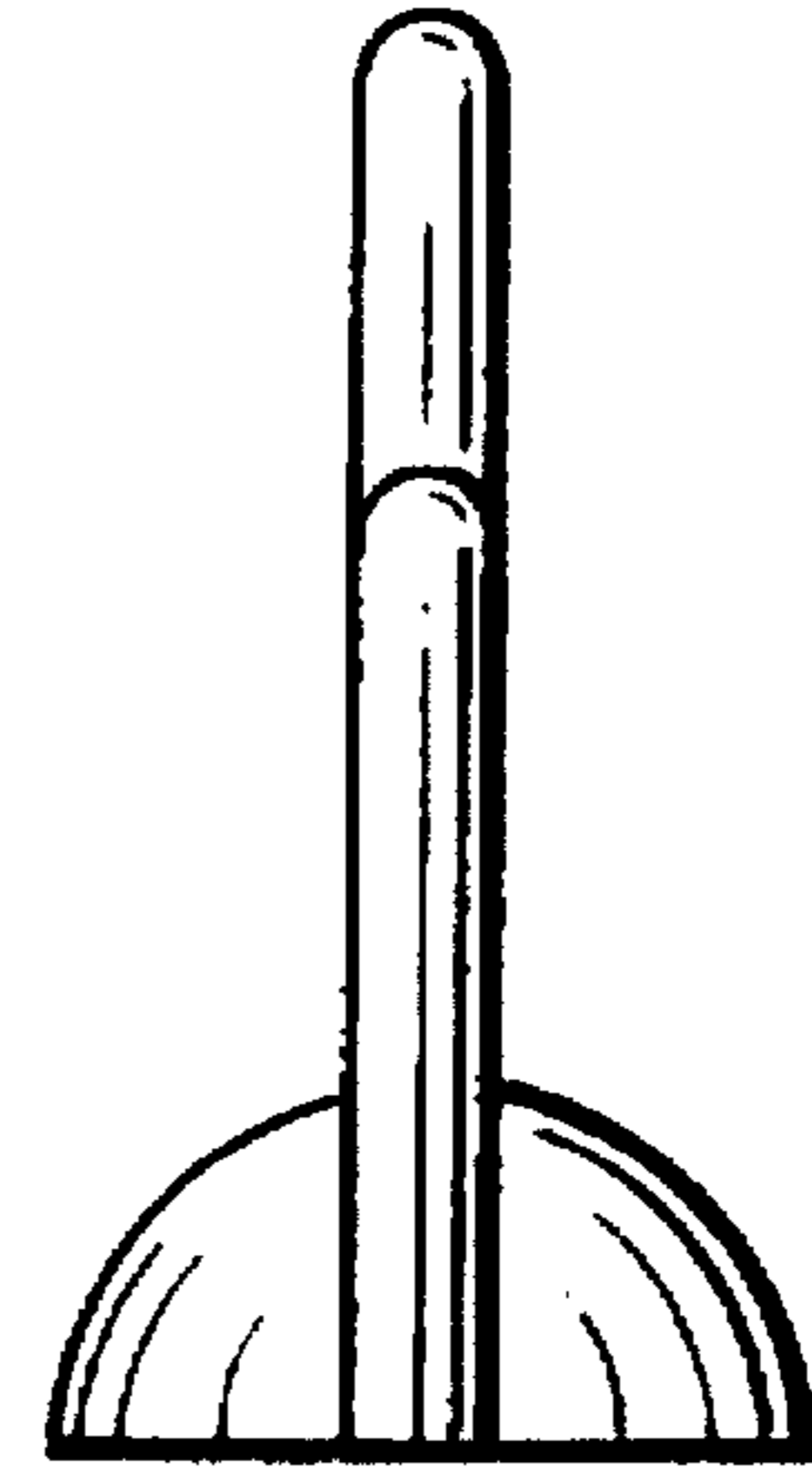


FIG. 6

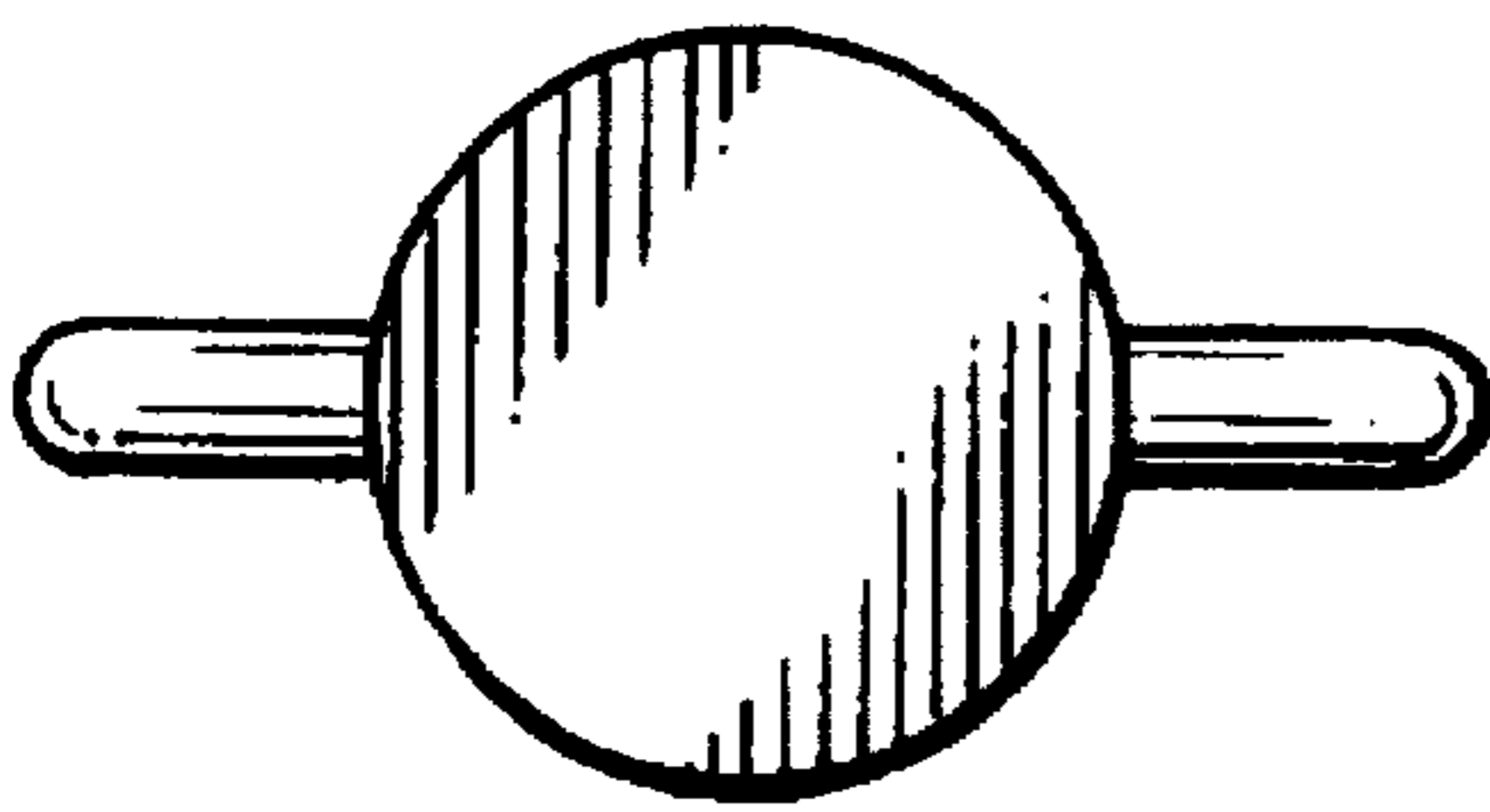


FIG. 7

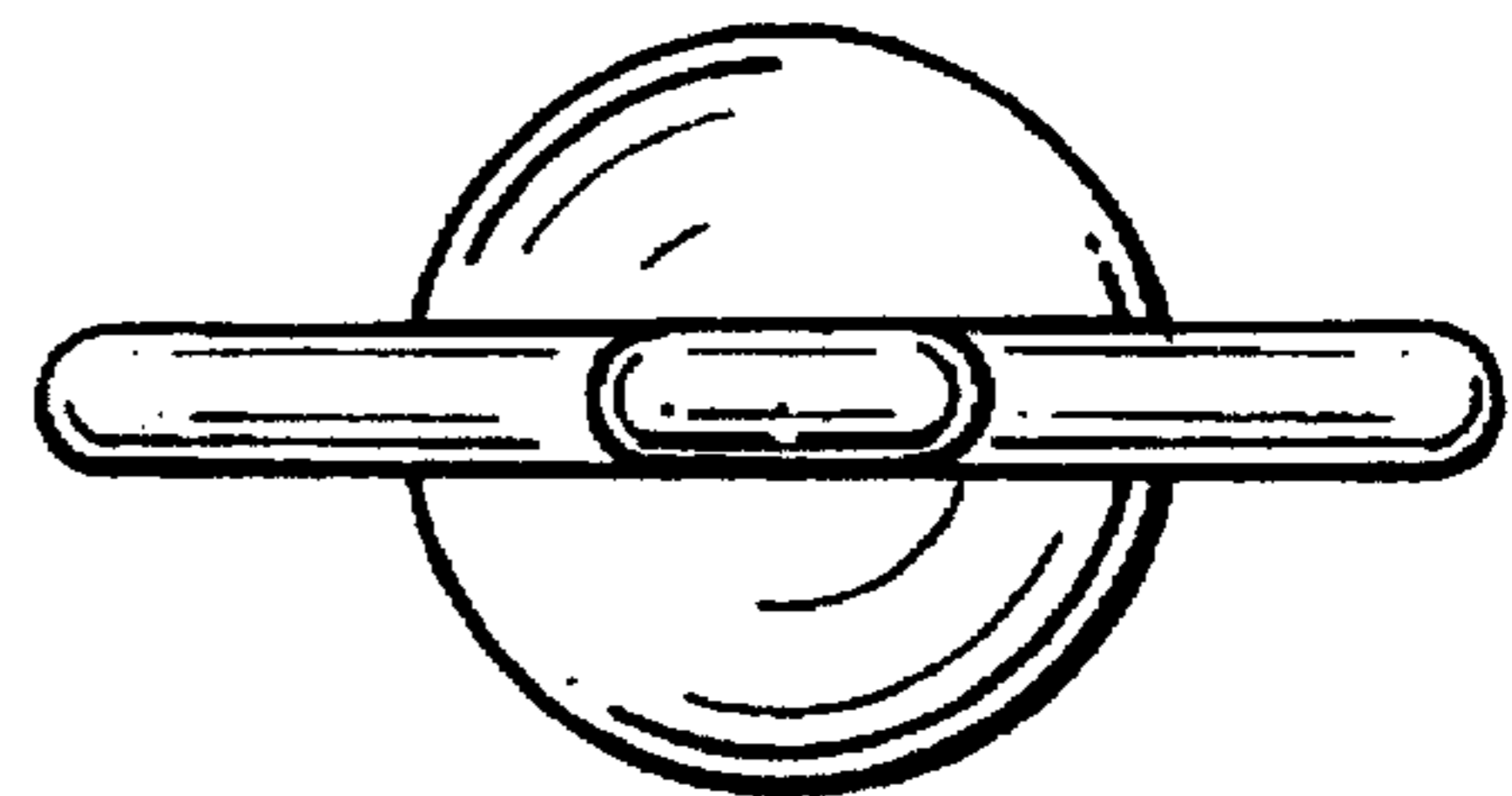


FIG. 8