



US00D391804S

United States Patent [19]

Wong

[11] Patent Number: **Des. 391,804**

[45] Date of Patent: ****Mar. 10, 1998**

[54] MIXER
[76] Inventor: **Yan Kwong Wong**, Unit 17, 10/F
Metro Centre 11, 21 Lam Hing Street,
Kowloon Bay, Kowloon, Hong Kong

[**] Term: **14 Years**

[21] Appl. No.: **60,739**

[22] Filed: **Oct. 4, 1996**

[51] LOC (6) Cl. **31-00**

[52] U.S. Cl. **D7/380; D7/376**

[58] Field of Search **D7/376, 378, 380,
D7/381, 384, 316-318; 366/242, 244, 247,
279**

[56] **References Cited**

U.S. PATENT DOCUMENTS

D. 183,384 8/1958 de Mille D7/381
309,147 12/1884 Just 366/248 X

D. 361,694 8/1995 Wong D7/376 X
4,149,455 4/1979 Ross 366/247 X
4,488,817 12/1984 Uesaka et al. 366/247 X
5,156,084 10/1992 Lin 366/279 X

Primary Examiner—Caron D. Veynar
Attorney, Agent, or Firm—Salter & Michaelson

[57] **CLAIM**

The ornamental design for a mixer, as shown and described.

DESCRIPTION

FIG. 1 is a perspective view of a mixer showing my new design;

FIG. 2 is a left side elevational view thereof;

FIG. 3 is a right side elevational view thereof;

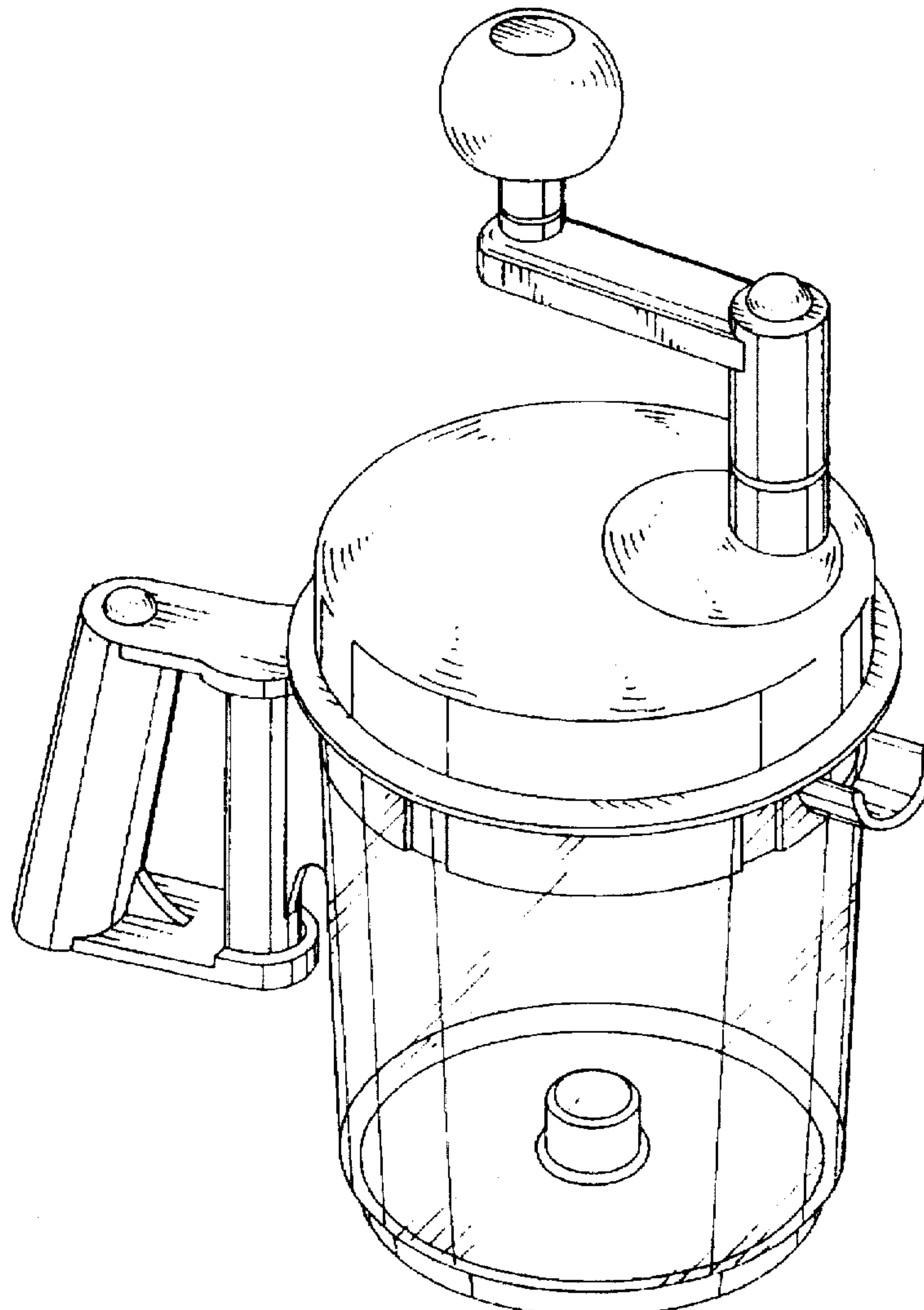
FIG. 4 is a front elevational view thereof;

FIG. 5 is a rear elevational view thereof;

FIG. 6 is a top plan view thereof; and,

FIG. 7 is a bottom plan view thereof.

1 Claim, 2 Drawing Sheets



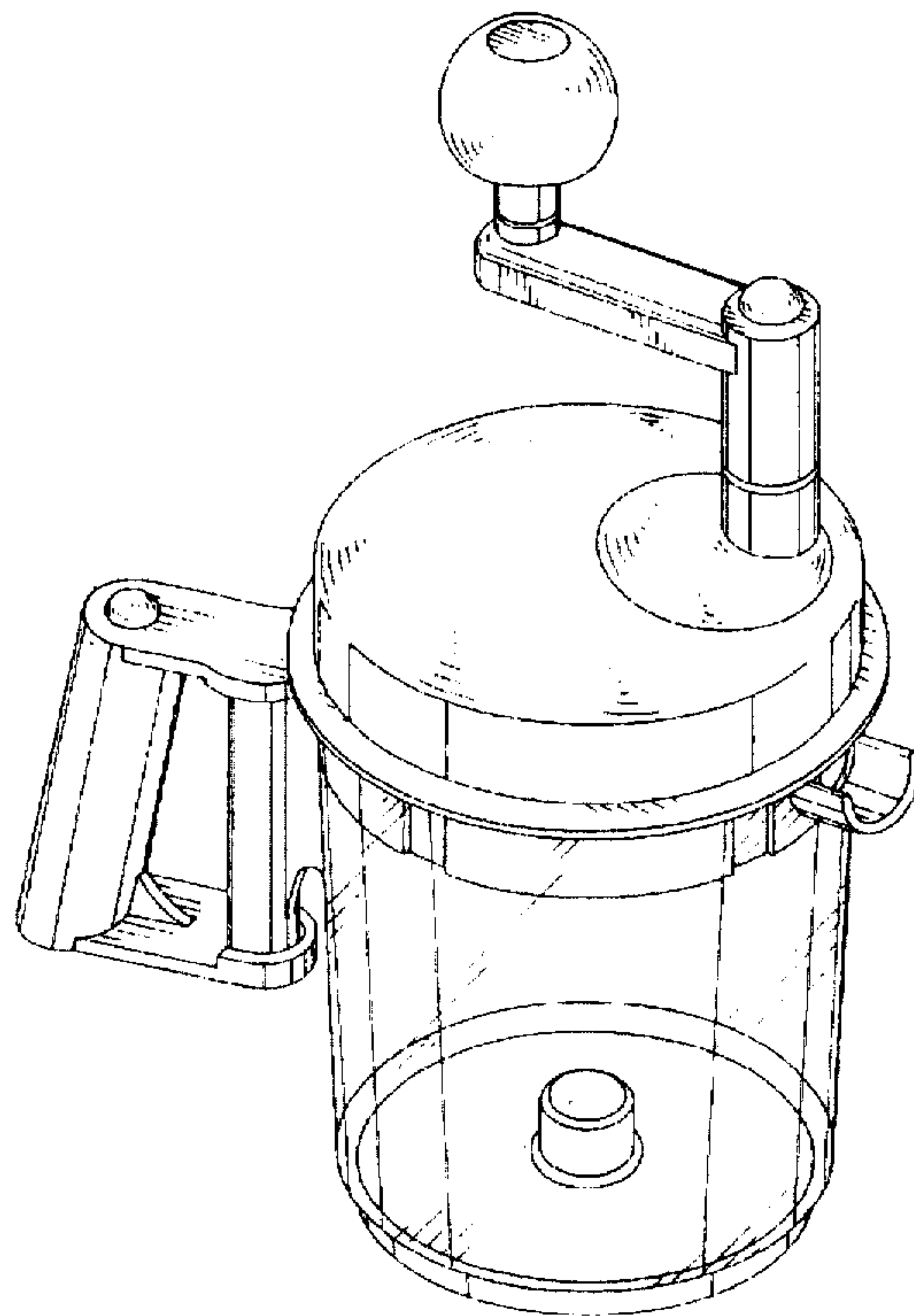


FIG. 1

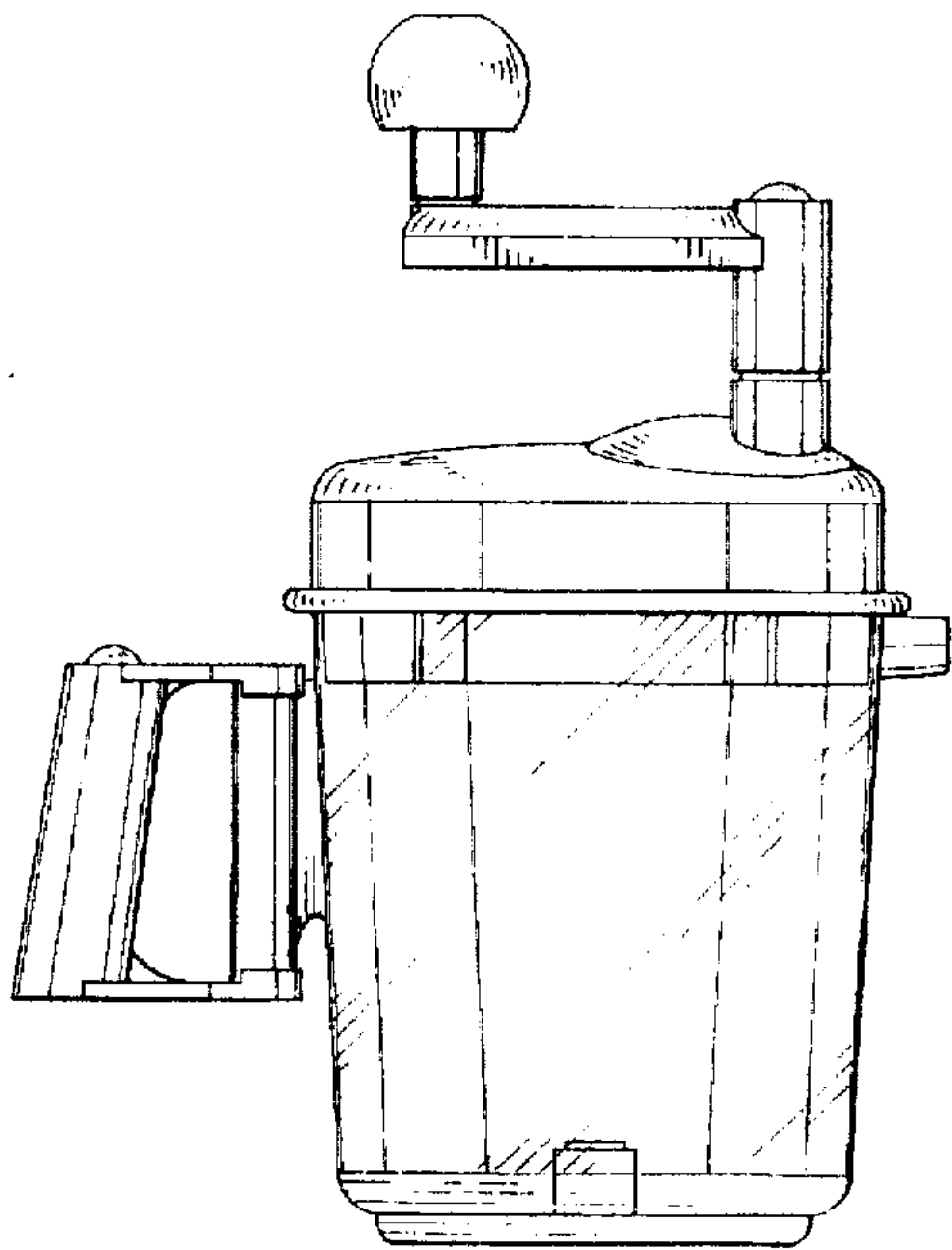


FIG. 2

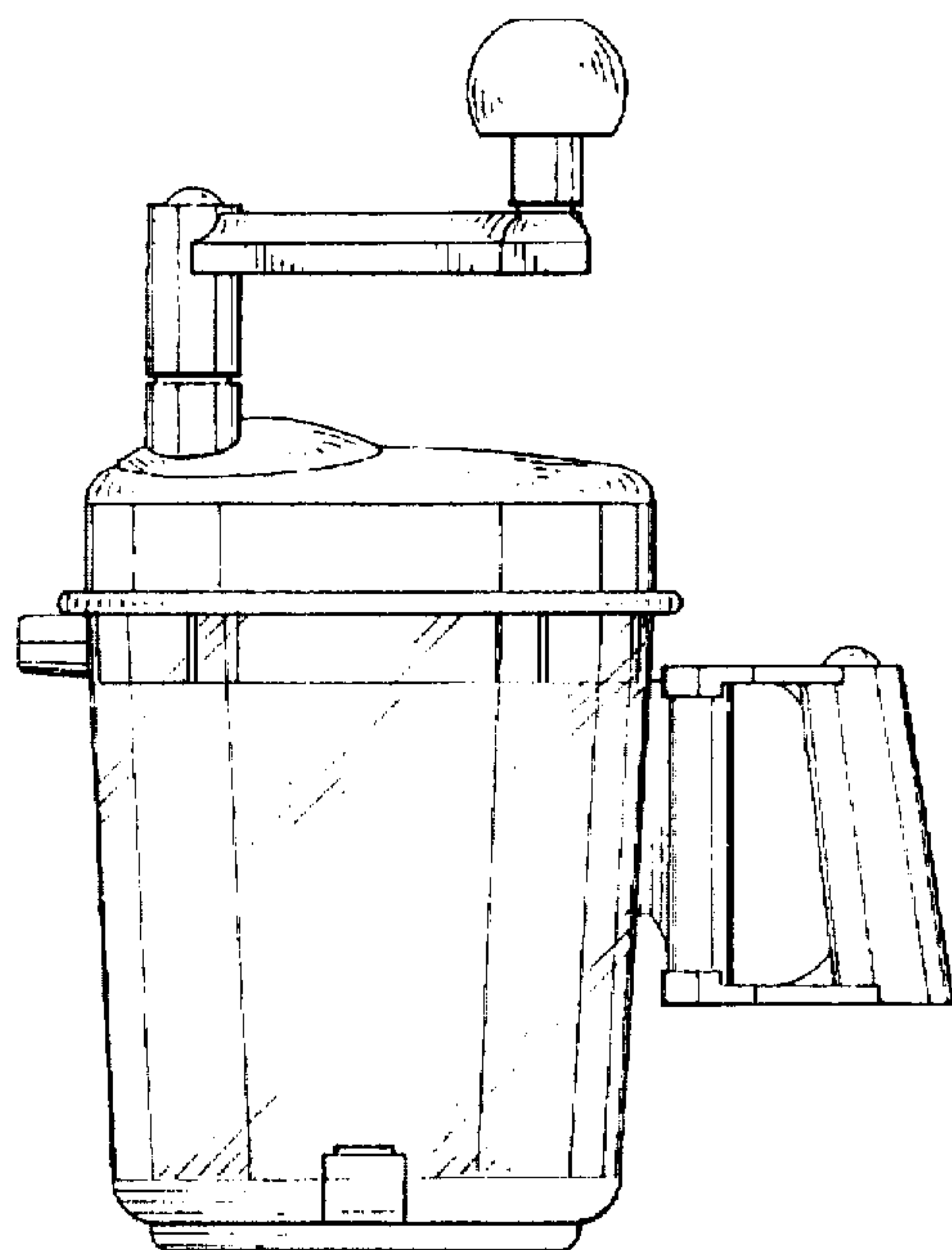


FIG. 3

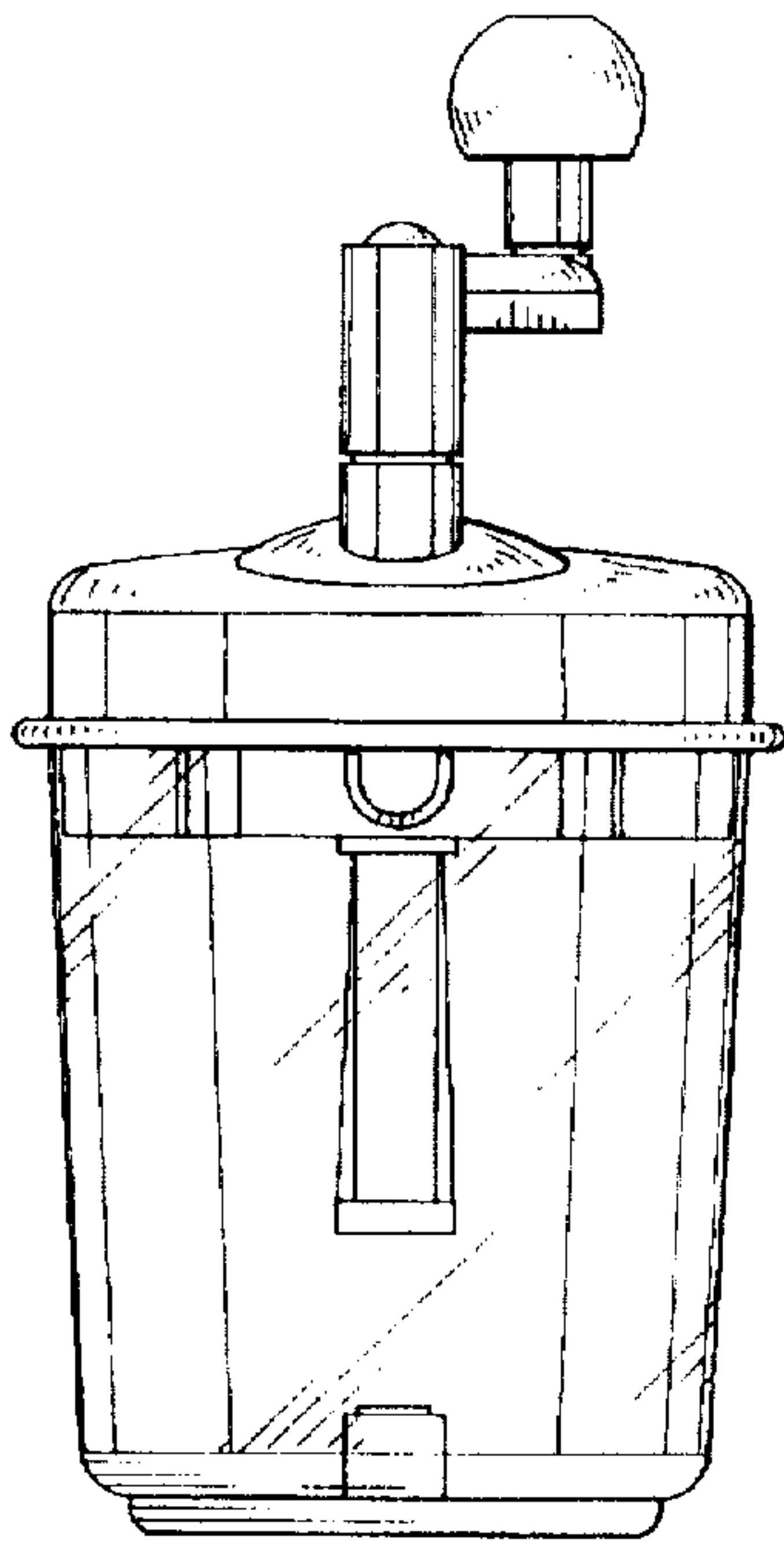


FIG. 4

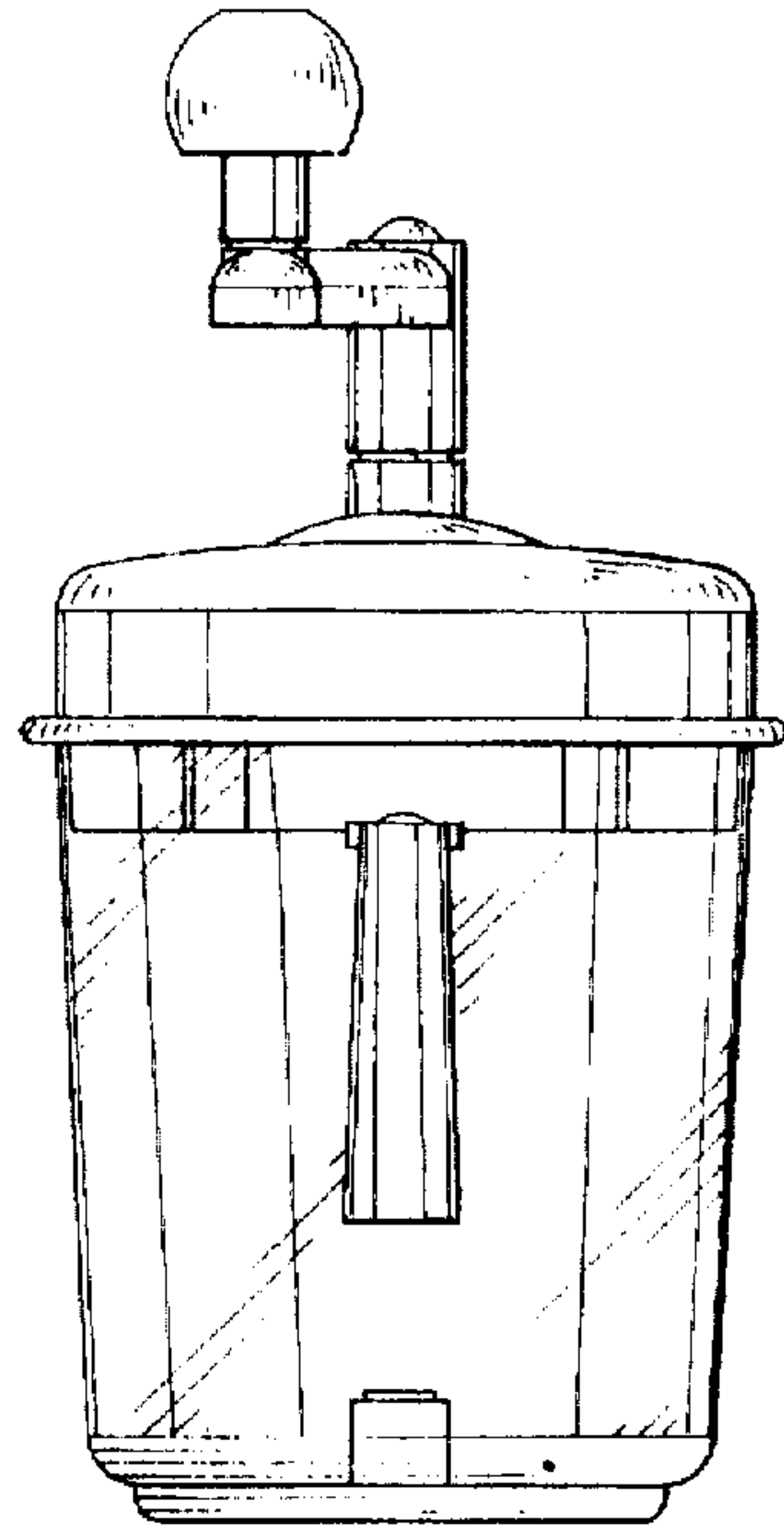


FIG. 5

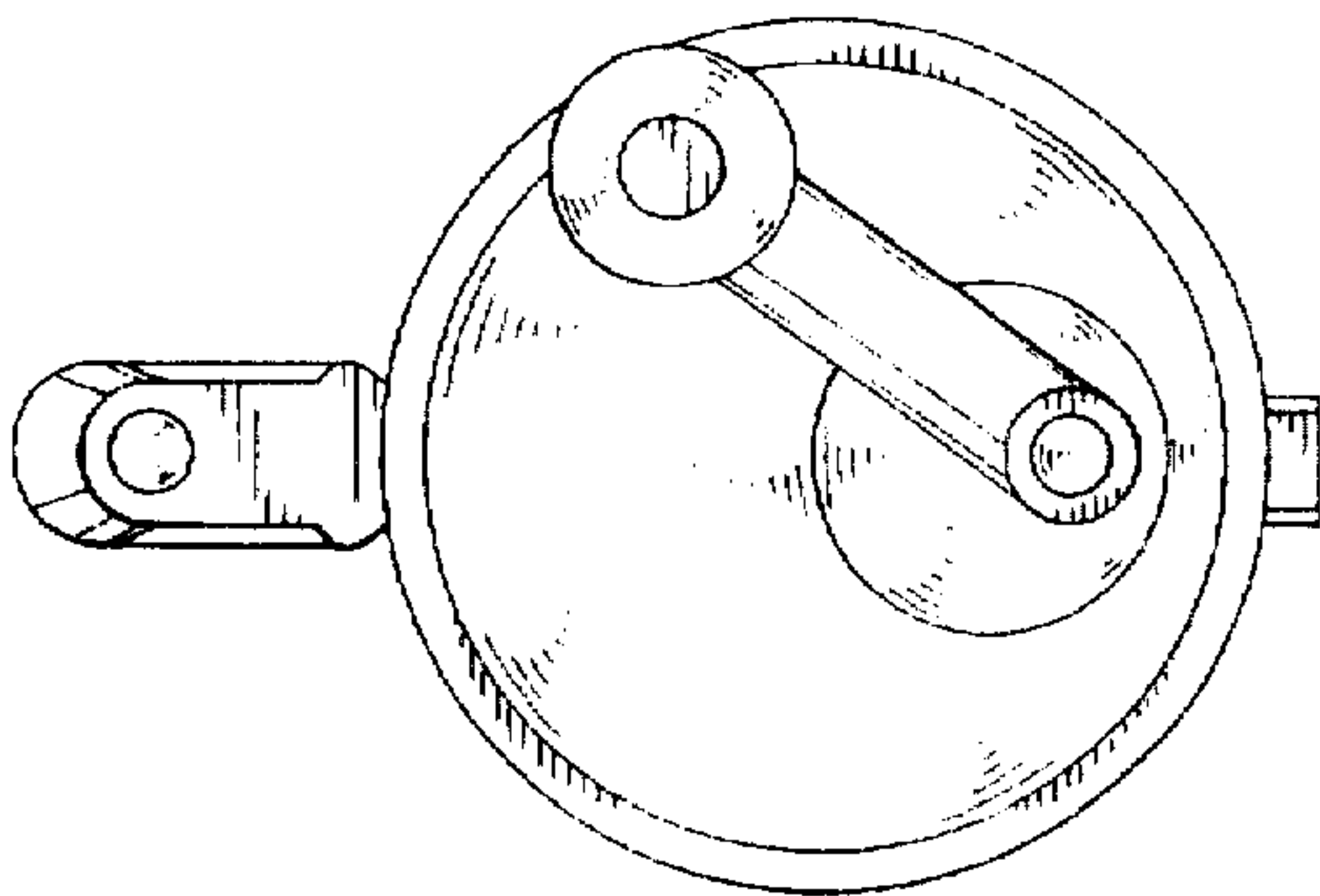


FIG. 6

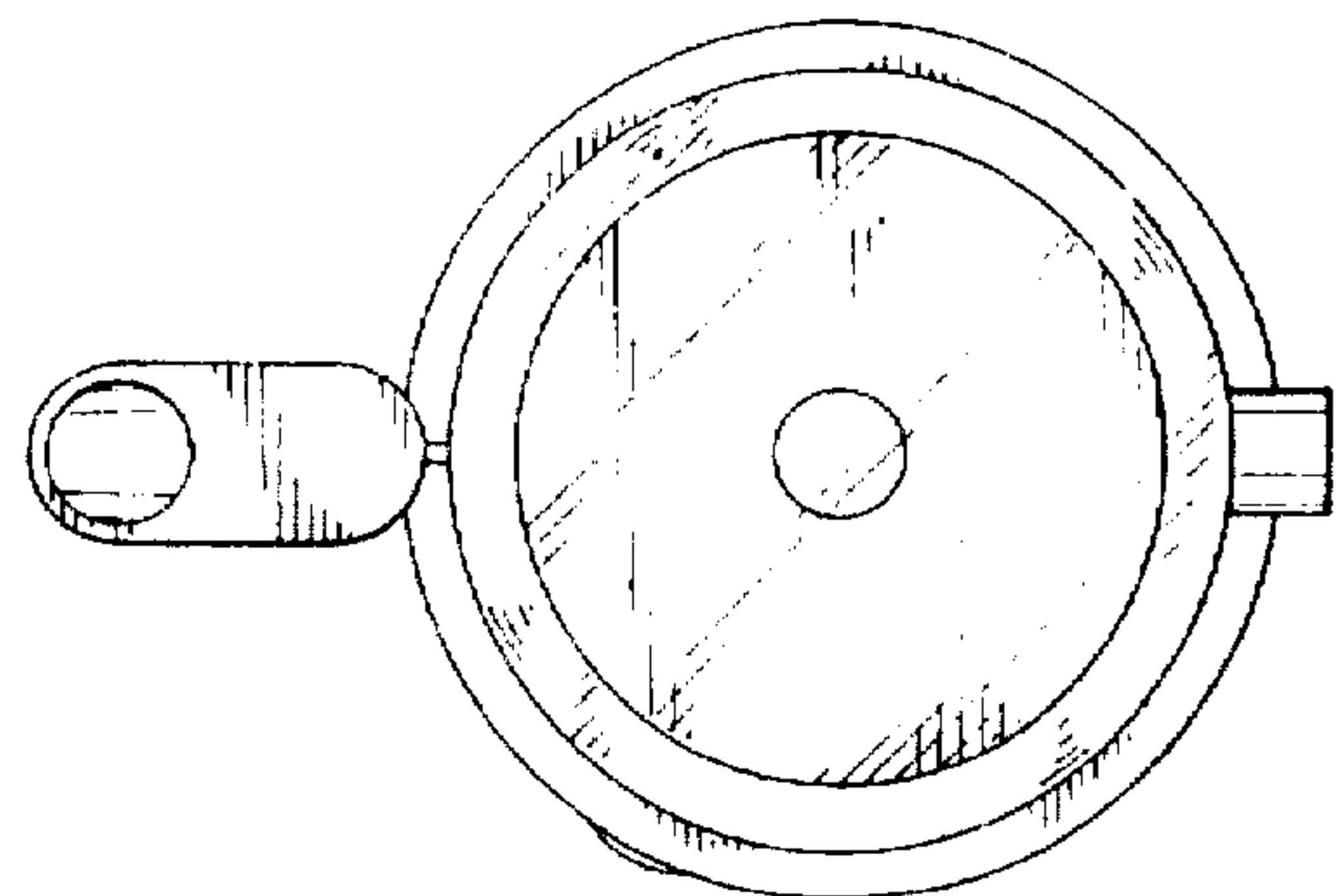


FIG. 7