



US00D391798S

# United States Patent [19]

[11] Patent Number: **Des. 391,798**

**Kirihara et al.**

[45] Date of Patent: **\*\*Mar. 10, 1998**

[54] CASE FOR A DISC

2064486 10/1981 United Kingdom ..... 206/308.1  
2078678 1/1982 United Kingdom ..... 206/308.1

[75] Inventors: **Kazushi Kirihara; Daiki Kobayashi,**  
both of Tokyo, Japan

*Primary Examiner*—Cathy Anne MacCormac  
*Attorney, Agent, or Firm*—Foley & Lardner

[73] Assignee: **Sony Corporation,** Tokyo, Japan

[57] **CLAIM**

[\*\*] Term: **14 Years**

The ornamental design for a case for a disc, as shown and described.

[21] Appl. No.: **55,340**

### DESCRIPTION

[22] Filed: **Jun. 3, 1996**

### [30] Foreign Application Priority Data

Dec. 5, 1995 [JP] Japan ..... 7-36595

[51] LOC (6) Cl. .... **06-04**

[52] U.S. Cl. .... **D6/634; 206/308.1**

[58] Field of Search ..... D6/407, 626-635;  
206/308.1, 309-312, 472, 456-457, 387.1,  
387.12, 387.14, 581; D9/420, 423, 424,  
426, 430, 432; D3/289, 201, 245, 301;  
224/240

FIG. 1 is a perspective view of a case for a disc showing our new design;

FIG. 2 is another perspective view of FIG. 1 showing the cover in open position;

FIG. 3 is a top plan view of FIG. 1;

FIG. 4 is a left side elevational view of FIG. 1;

FIG. 5 is a front elevational view of FIG. 1;

FIG. 6 is a right side elevational view of FIG. 1;

FIG. 7 is a bottom plan view of FIG. 1;

FIG. 8 is a rear elevational view of FIG. 1;

FIG. 9 is a perspective view of a second embodiment of FIG. 1;

FIG. 10 is another perspective view showing the cover in open position;

FIG. 11 is a front elevational view of FIG. 9;

FIG. 12 is a right side elevational view of FIG. 9;

FIG. 13 is a perspective view of a third embodiment of FIG. 1;

FIG. 14 is another perspective view showing the cover in open position;

FIG. 15 is a front elevational view of the embodiment of FIG. 13; and,

FIG. 16 is a right side elevational view of the embodiment of FIG. 13.

The top and bottom plan views and the left side and rear elevational views of the second and third embodiments are identical to FIGS. 3, 4, 7 and 8 of the embodiment of FIG. 1.

### [56] References Cited

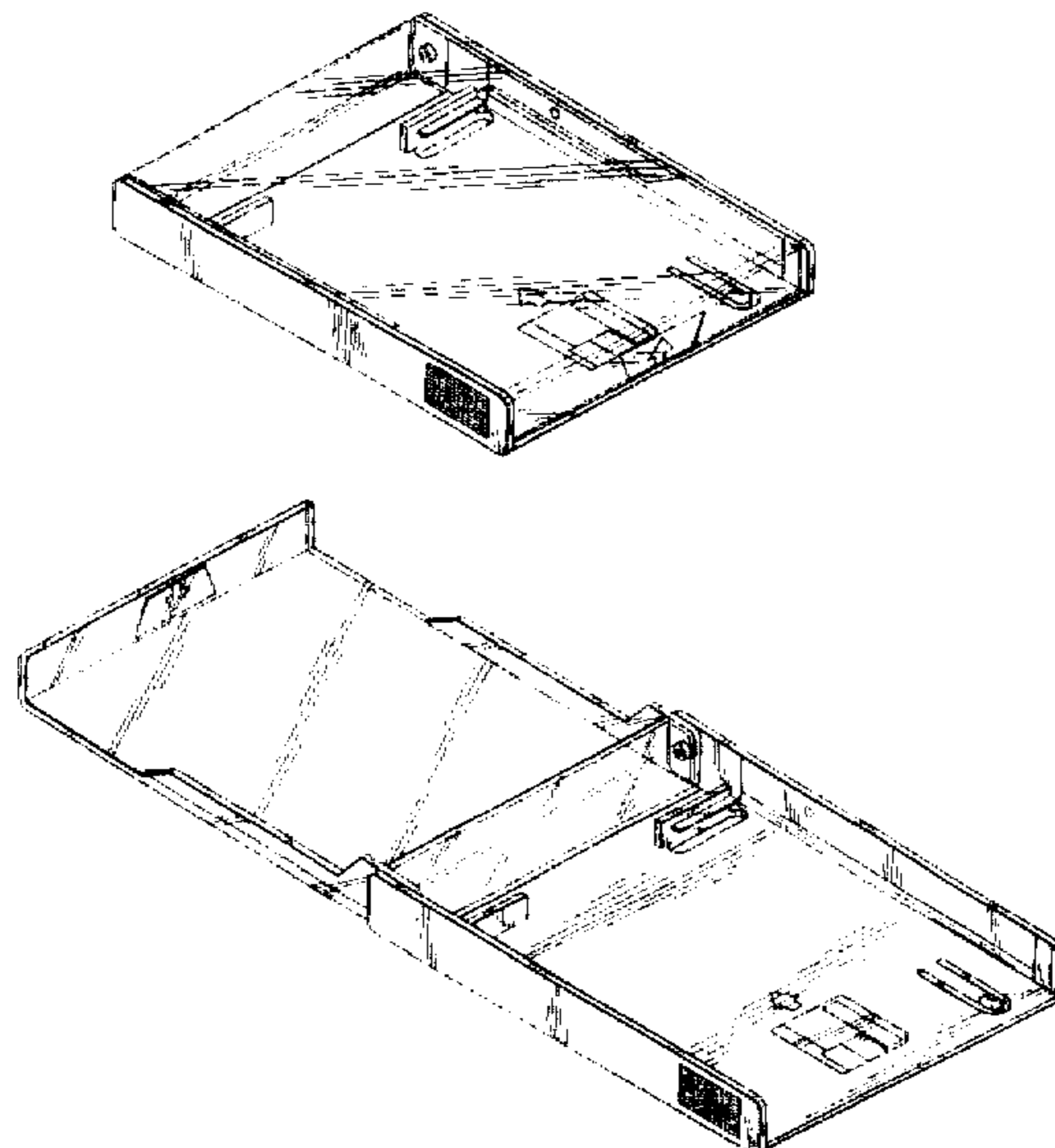
#### U.S. PATENT DOCUMENTS

- D. 293,855 1/1988 Sutou et al. .... D6/633
- D. 351,080 10/1994 Sykes et al. .... D6/634
- D. 366,802 2/1996 Roberts et al. .... D6/634
- D. 371,244 7/1996 Weshler ..... D6/635
- D. 375,015 10/1996 Kobayashi et al. .... D6/634
- 3,998,324 12/1976 Roccaforte ..... 206/387.1
- 4,867,302 9/1989 Takahashi ..... 206/309
- 5,366,073 11/1994 Turrentine et al. .... 206/309
- 5,373,941 12/1994 Morita ..... 206/387.1
- 5,520,279 5/1996 Lin ..... 206/308.1
- 5,531,321 7/1996 O'Brien et al. .... 206/309
- 5,542,531 8/1996 Yeung ..... 206/308.1
- 5,551,559 9/1996 Roth et al. .... 206/308.1
- 5,593,031 1/1997 Uchida ..... 206/309
- 5,597,068 1/1997 Weisburn et al. .... 206/308.1

#### FOREIGN PATENT DOCUMENTS

- 2100464 7/1992 Germany ..... 206/308.1

**1 Claim, 5 Drawing Sheets**



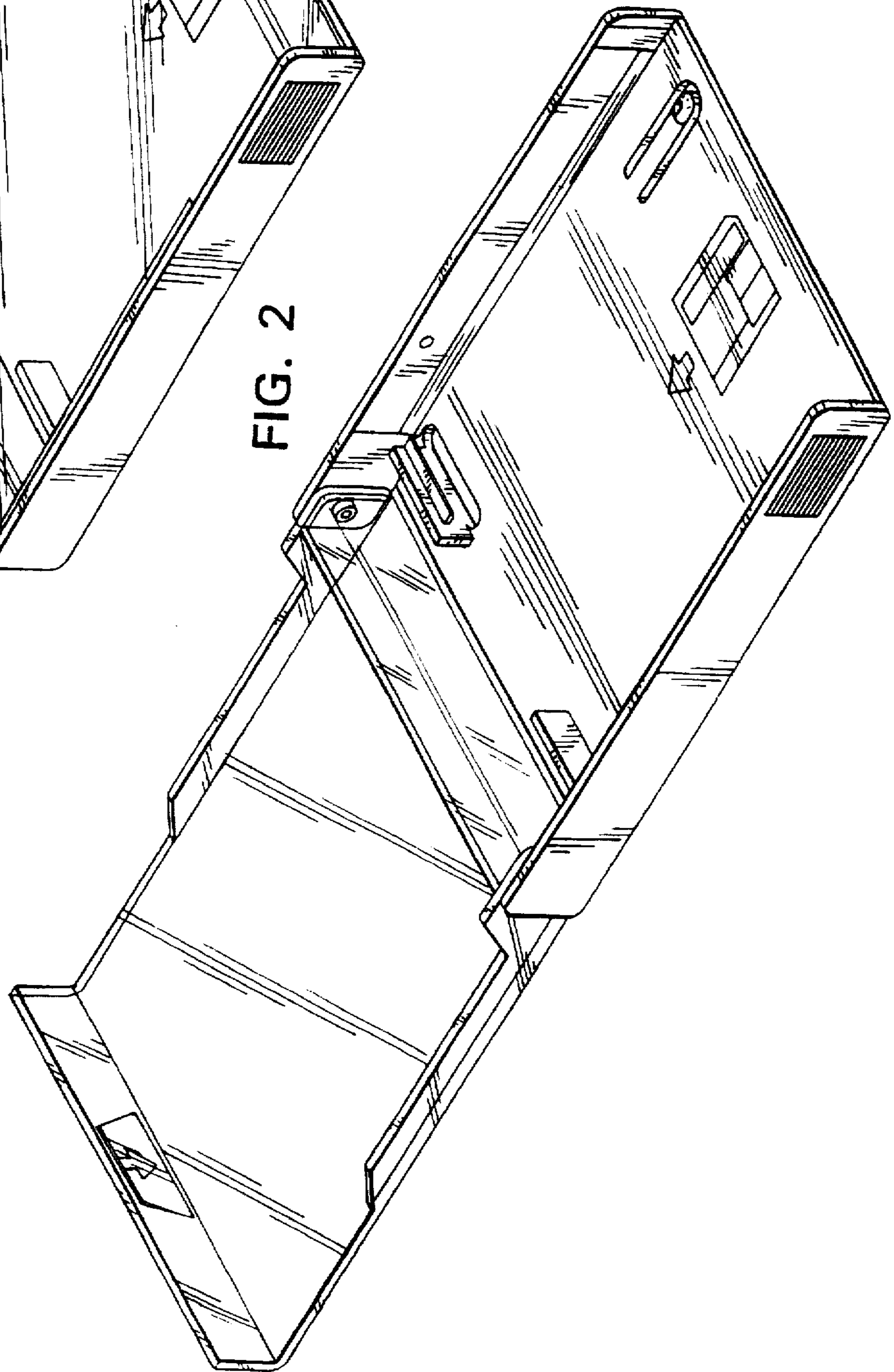
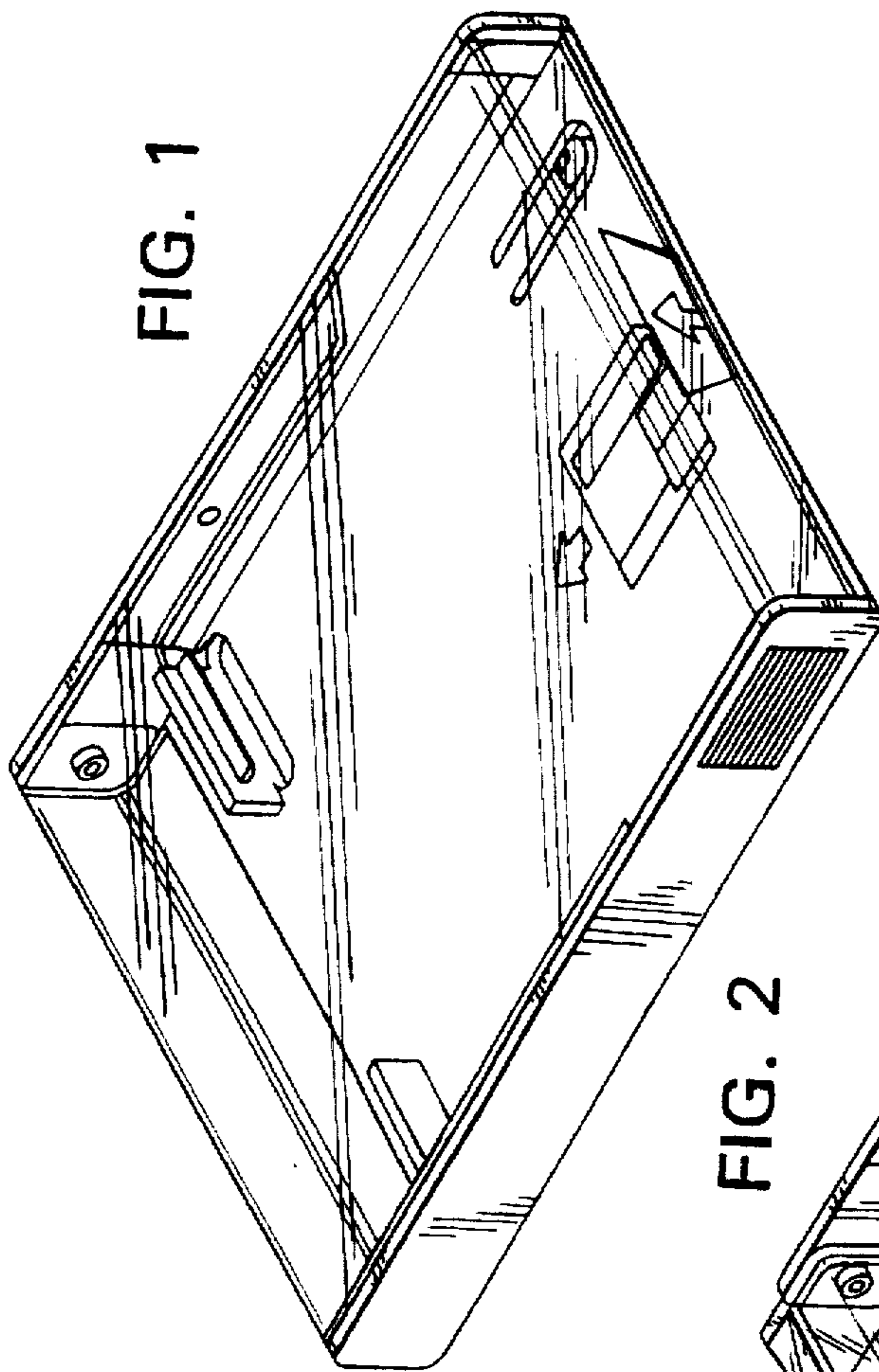


FIG. 3



FIG. 4

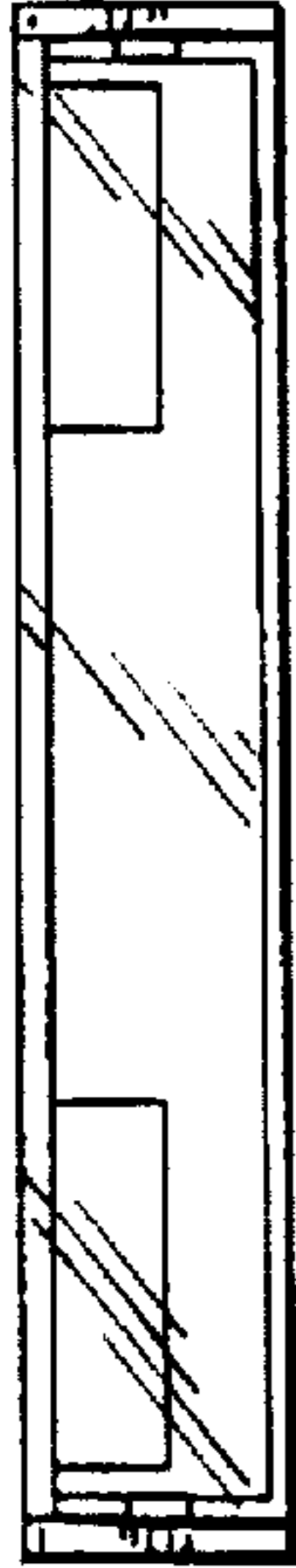


FIG. 5

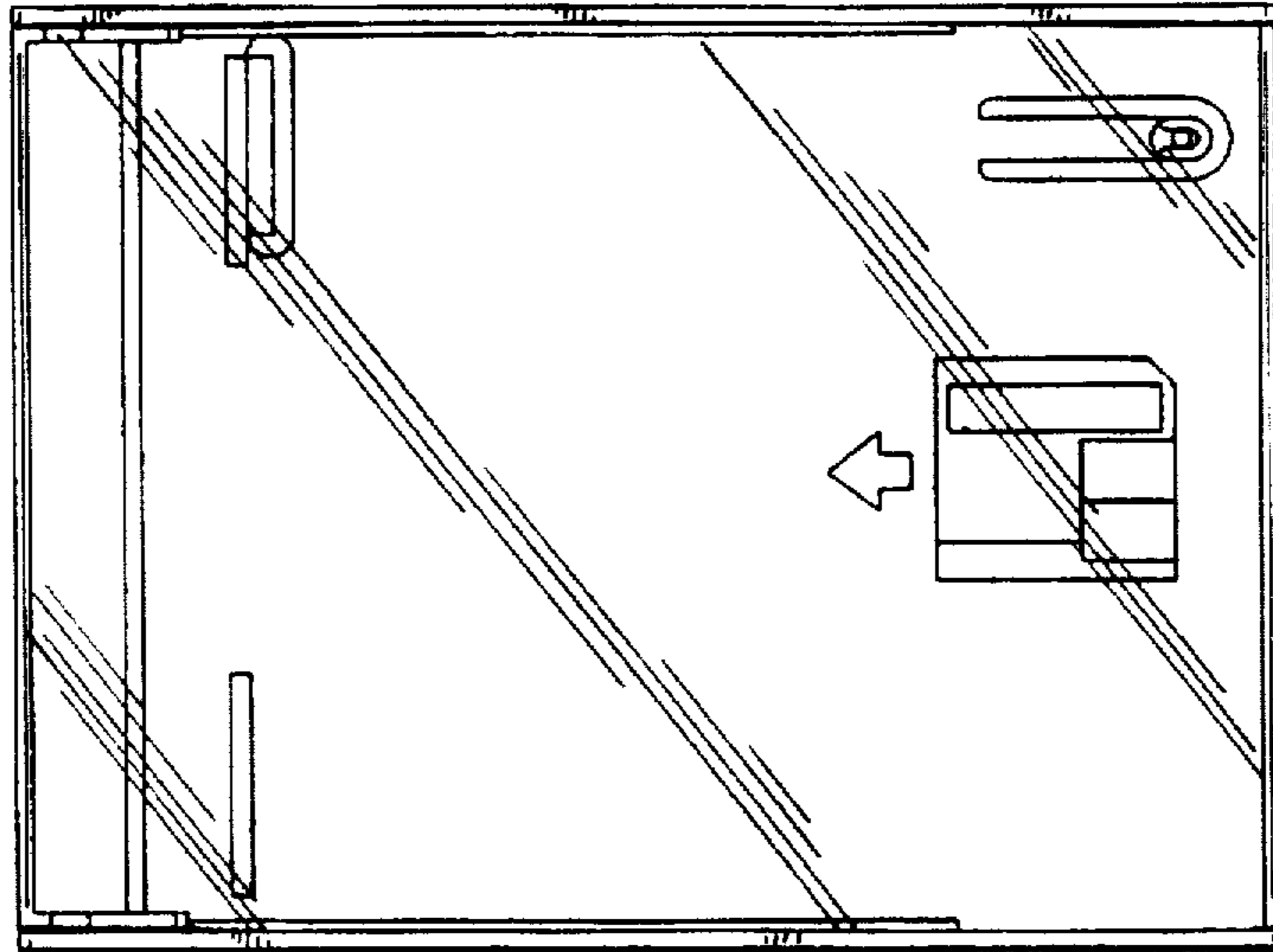


FIG. 6

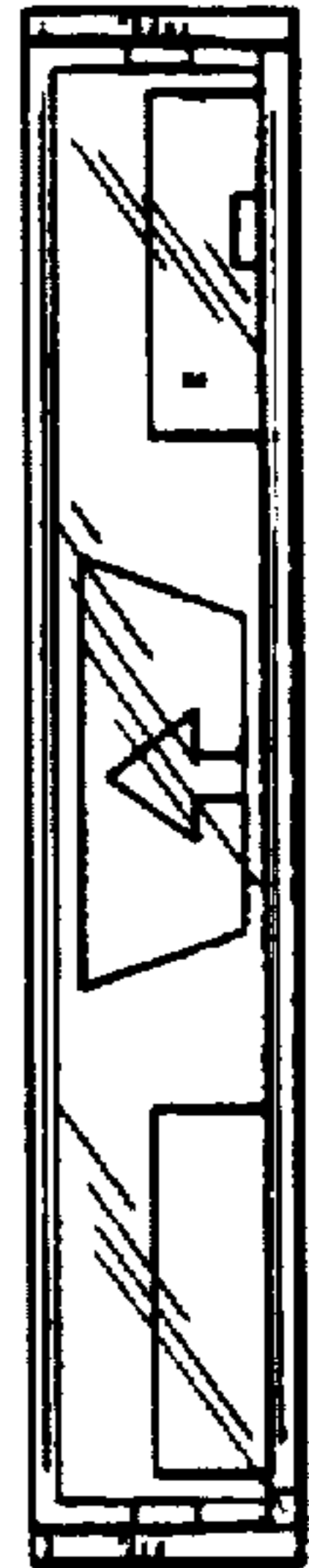


FIG. 7



FIG. 8

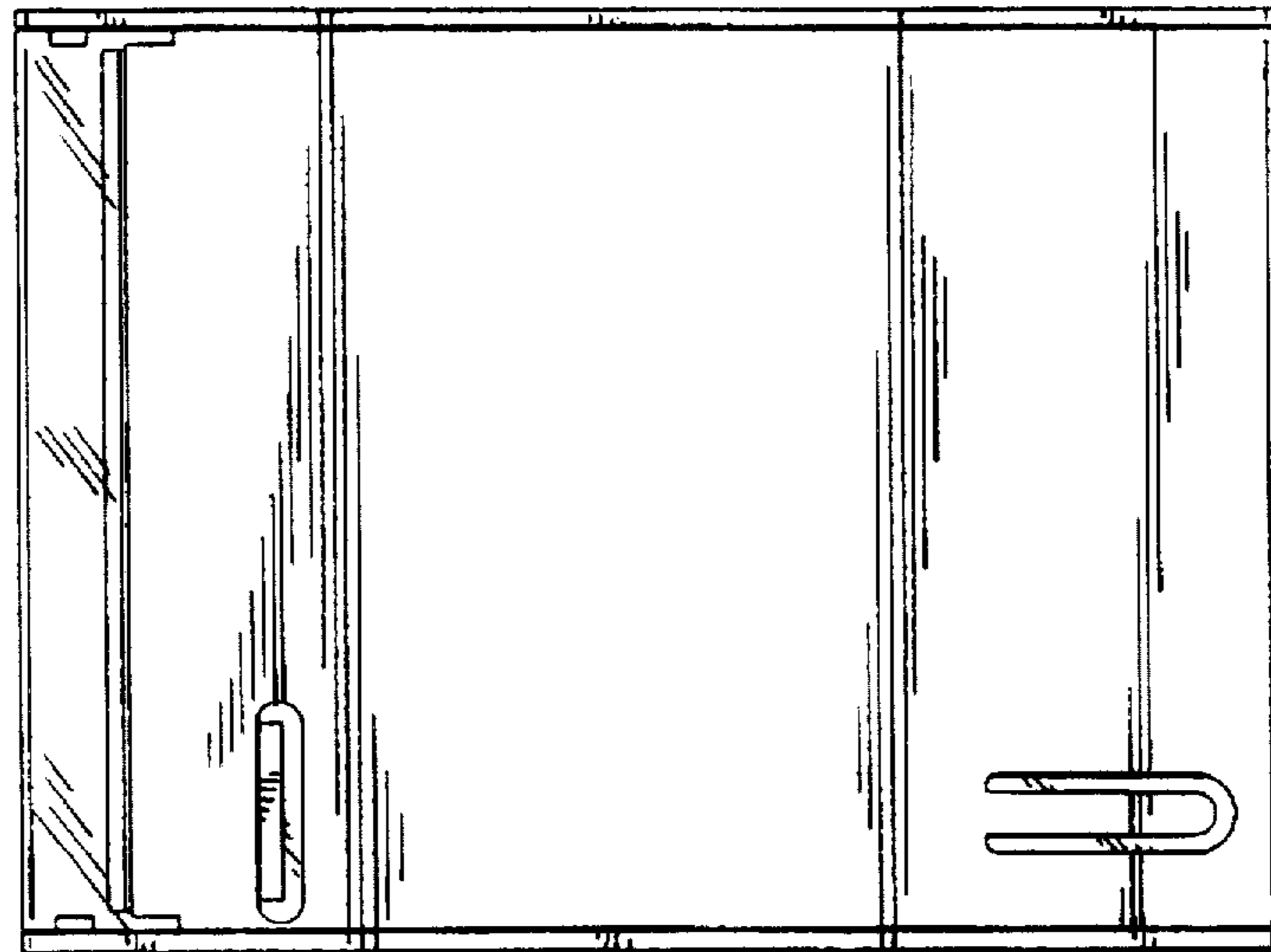


FIG. 9

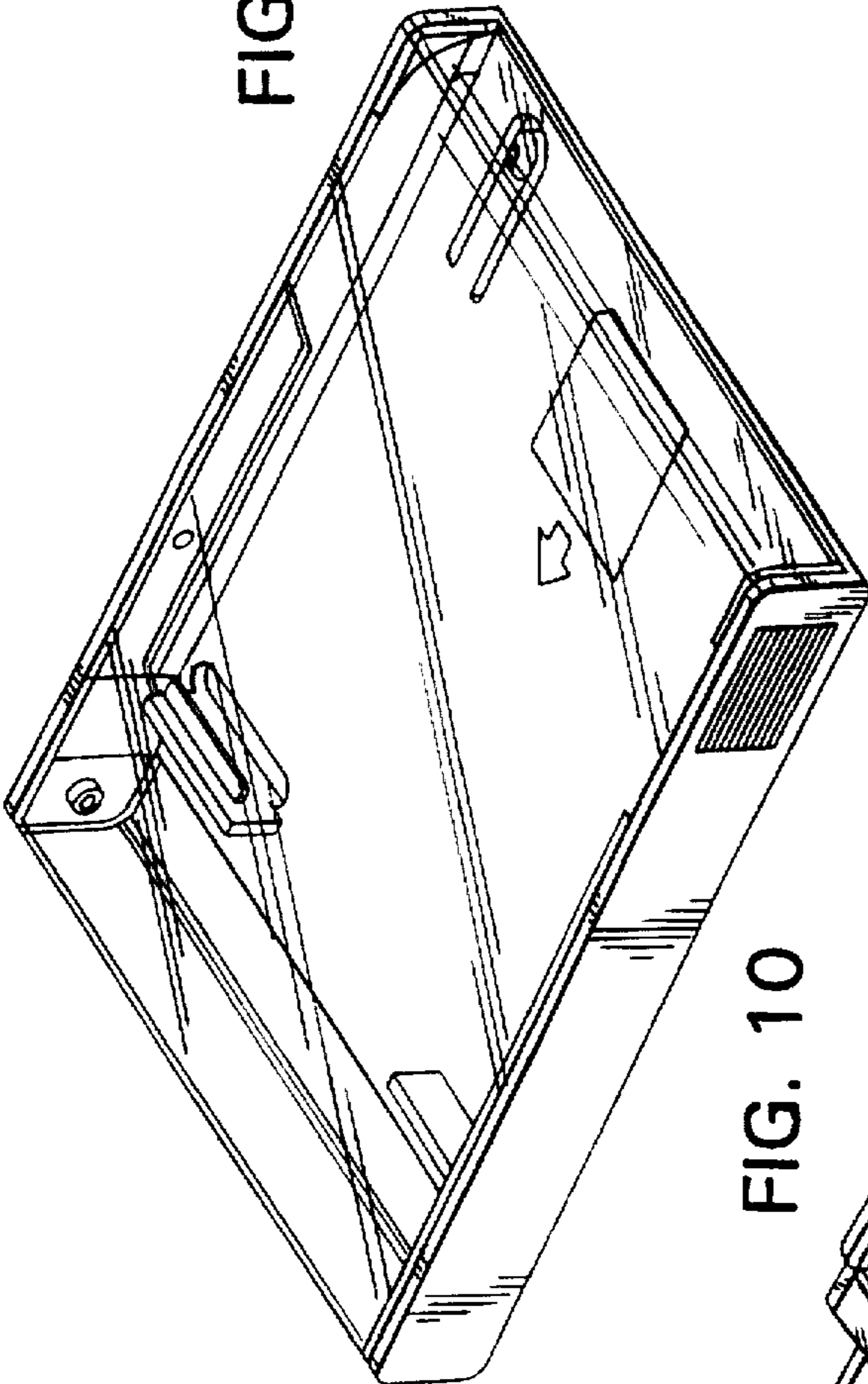


FIG. 10

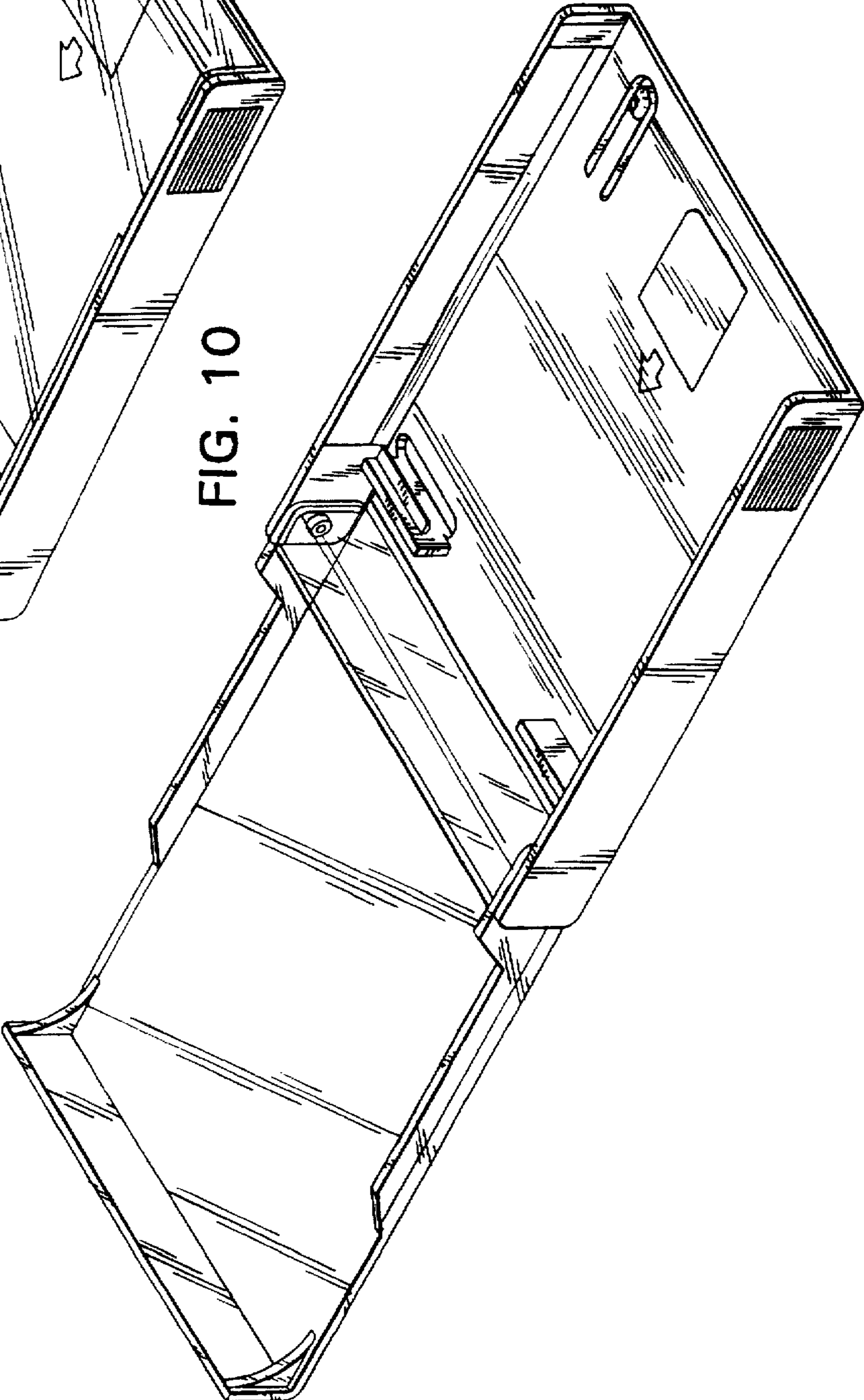


FIG. 11

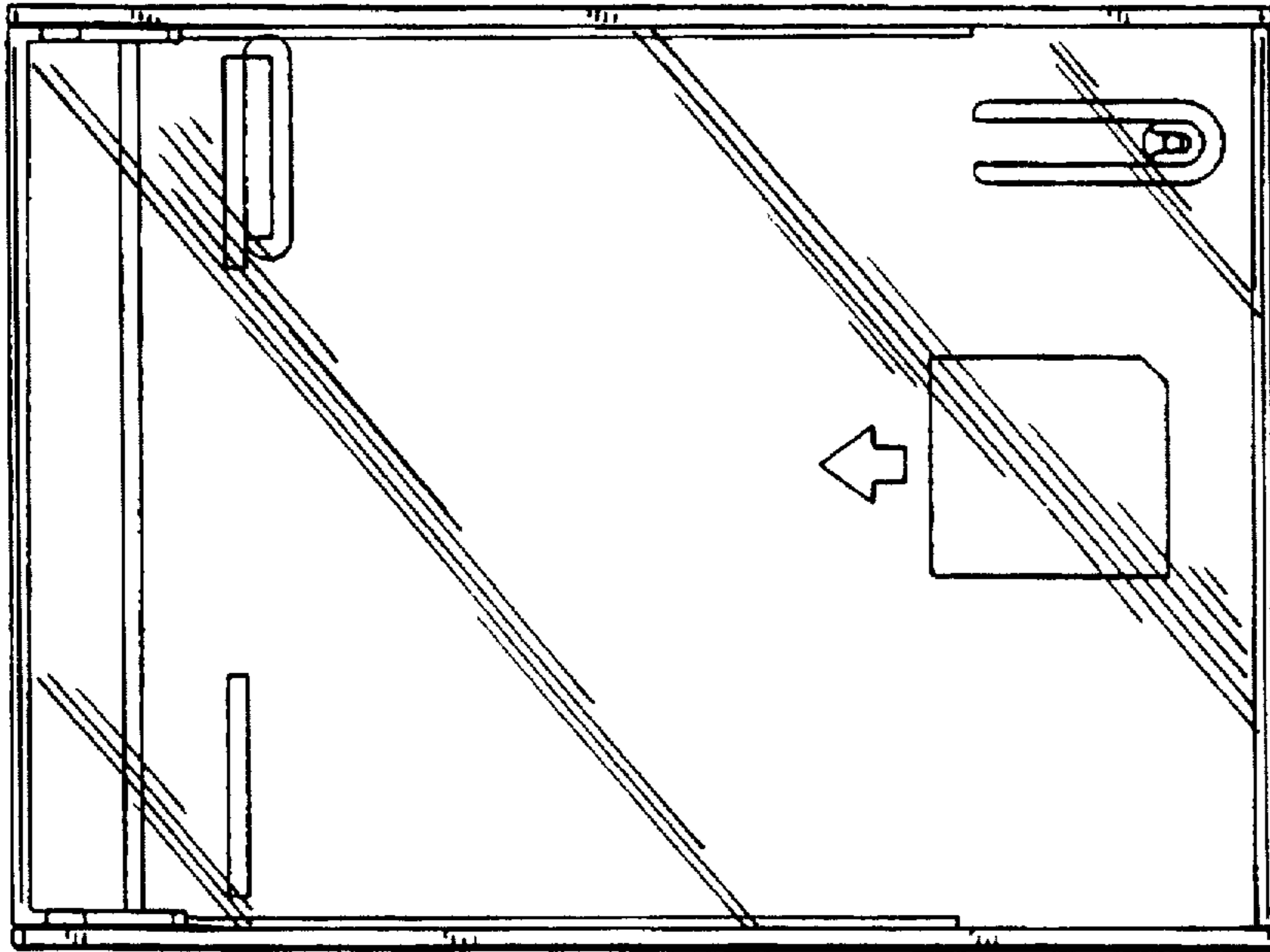


FIG. 12

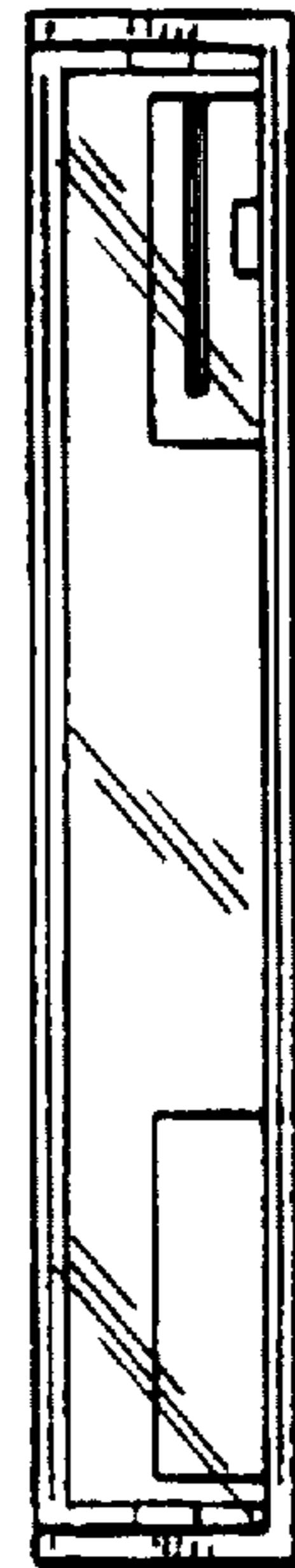


FIG. 15

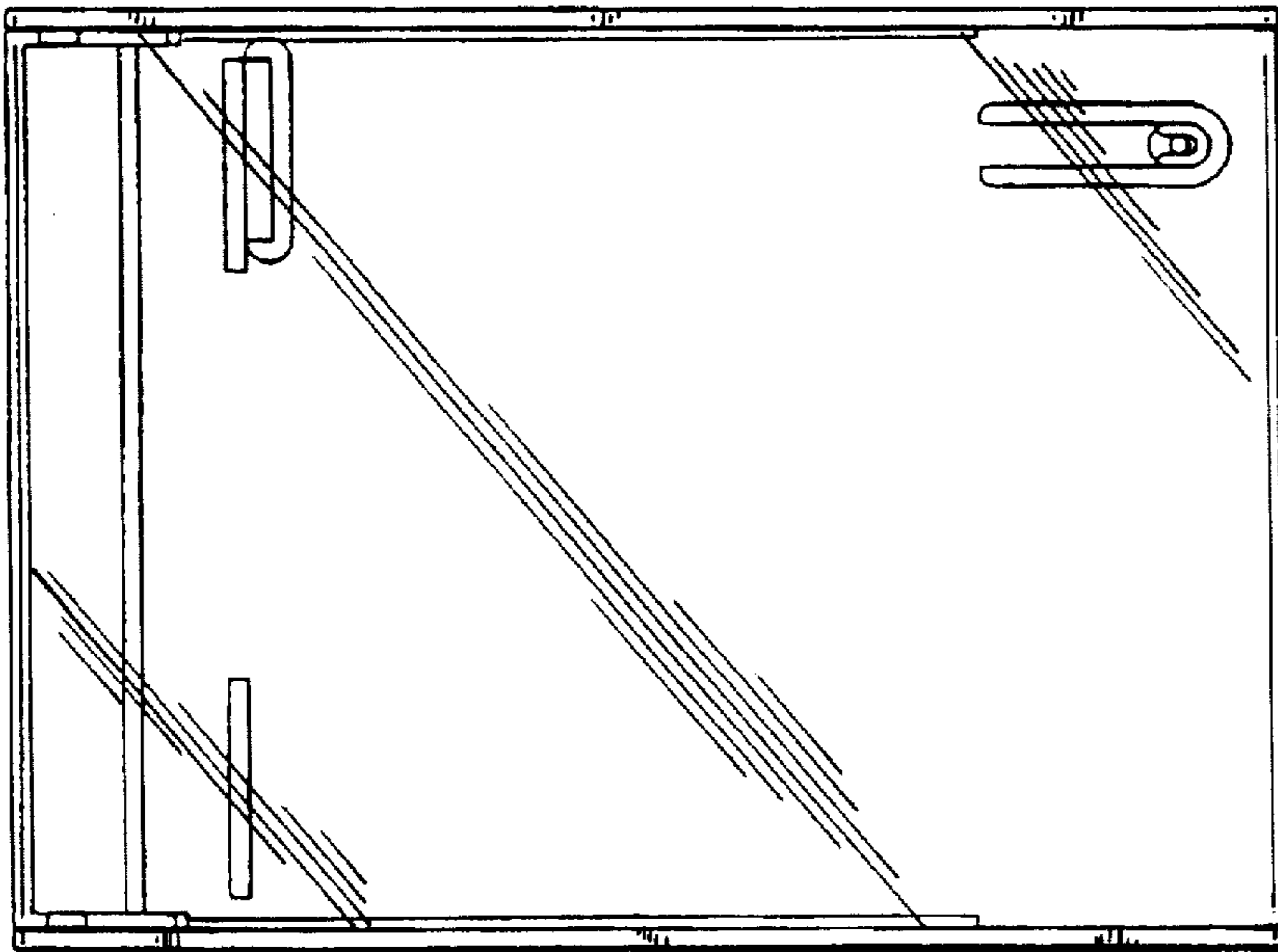


FIG. 16

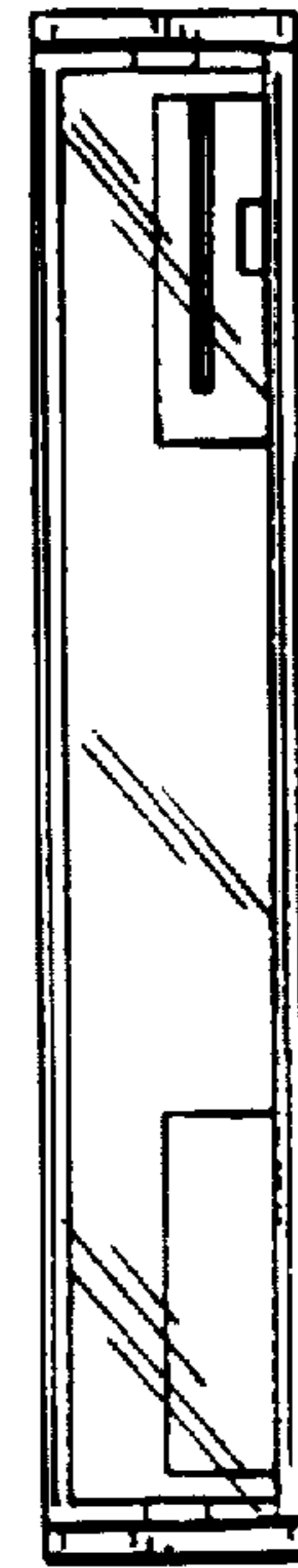


FIG. 13

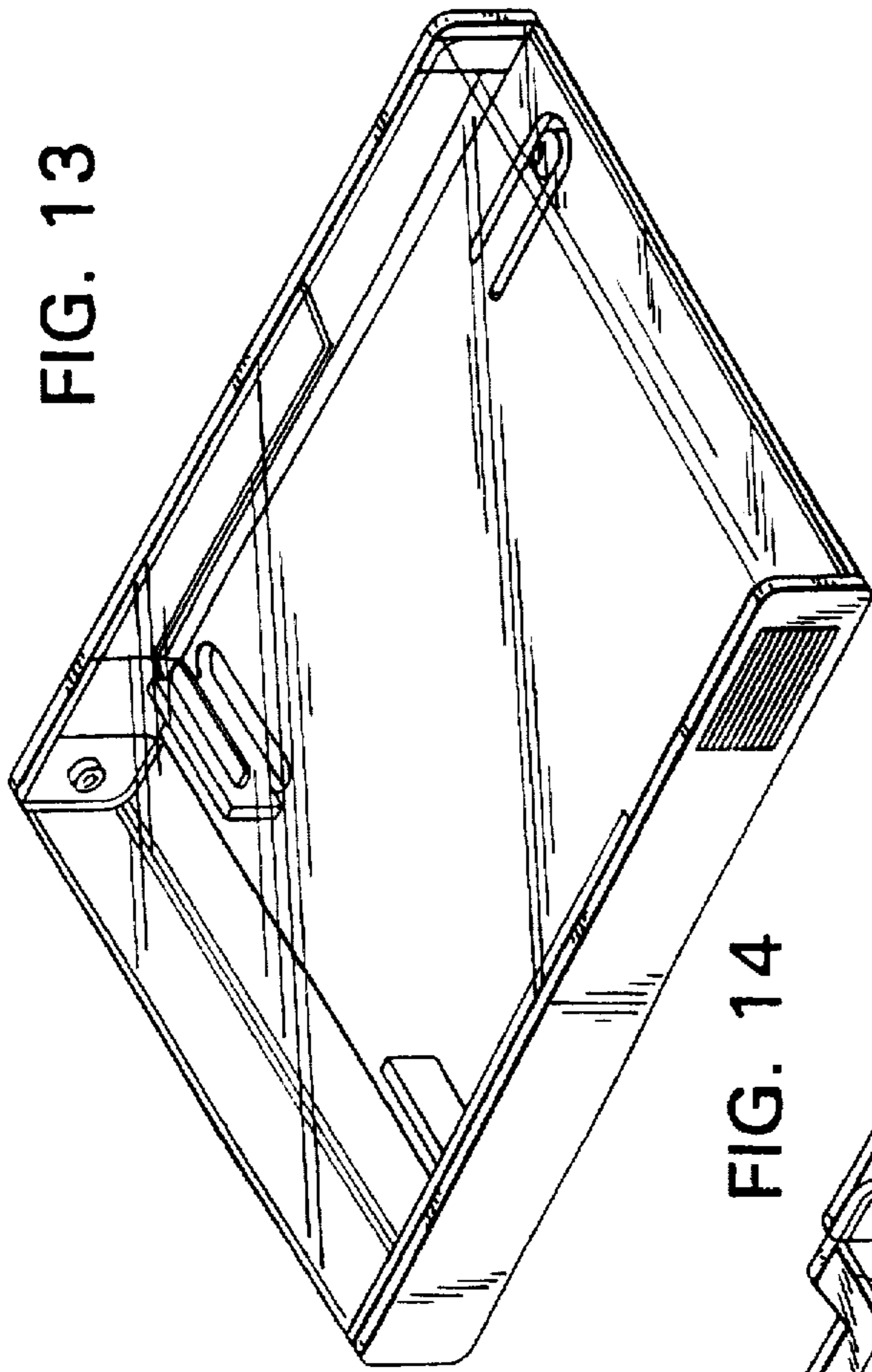


FIG. 14

