



US00D391796S

United States Patent [19] Chen

[11] Patent Number: **Des. 391,796**
[45] Date of Patent: ****Mar. 10, 1998**

[54] **HALF-ROUND WALL RACK**

[76] Inventor: **Chih-Hong Chen**, No. 120, Tai Kang Tsun, Liu Ying Hsiang, Tainan Hsien, Taiwan

[**] Term: **14 Years**

[21] Appl. No.: **72,940**

[22] Filed: **Jun. 26, 1997**

[51] LOC (6) Cl. **06-04**

[52] U.S. Cl. **D6/574; D6/566**

[58] Field of Search D6/574, 553, 567, D6/566, 524, 525; 211/86, 88, 90, 106, 126, 134, 181; 108/152, 161

[56] **References Cited**

U.S. PATENT DOCUMENTS

- D. 147,913 11/1947 Lewis D6/574
- D. 188,332 7/1960 Salen D6/562
- D. 253,748 12/1979 Kovacs D6/574 X
- D. 274,201 6/1984 Aaron D6/525
- D. 319,941 9/1991 Enthoven D6/562 X
- D. 323,439 1/1992 Emery D6/562
- D. 343,321 1/1994 Emery D6/574 X

- D. 373,699 9/1996 Moon D6/574
- 2,505,159 4/1950 Teague 211/113
- 5,167,331 12/1992 Luukonen 211/186

Primary Examiner—Pamela J. Burgess
Attorney, Agent, or Firm—Peterson, Wicks, Nemer & Kumrath, P.A.

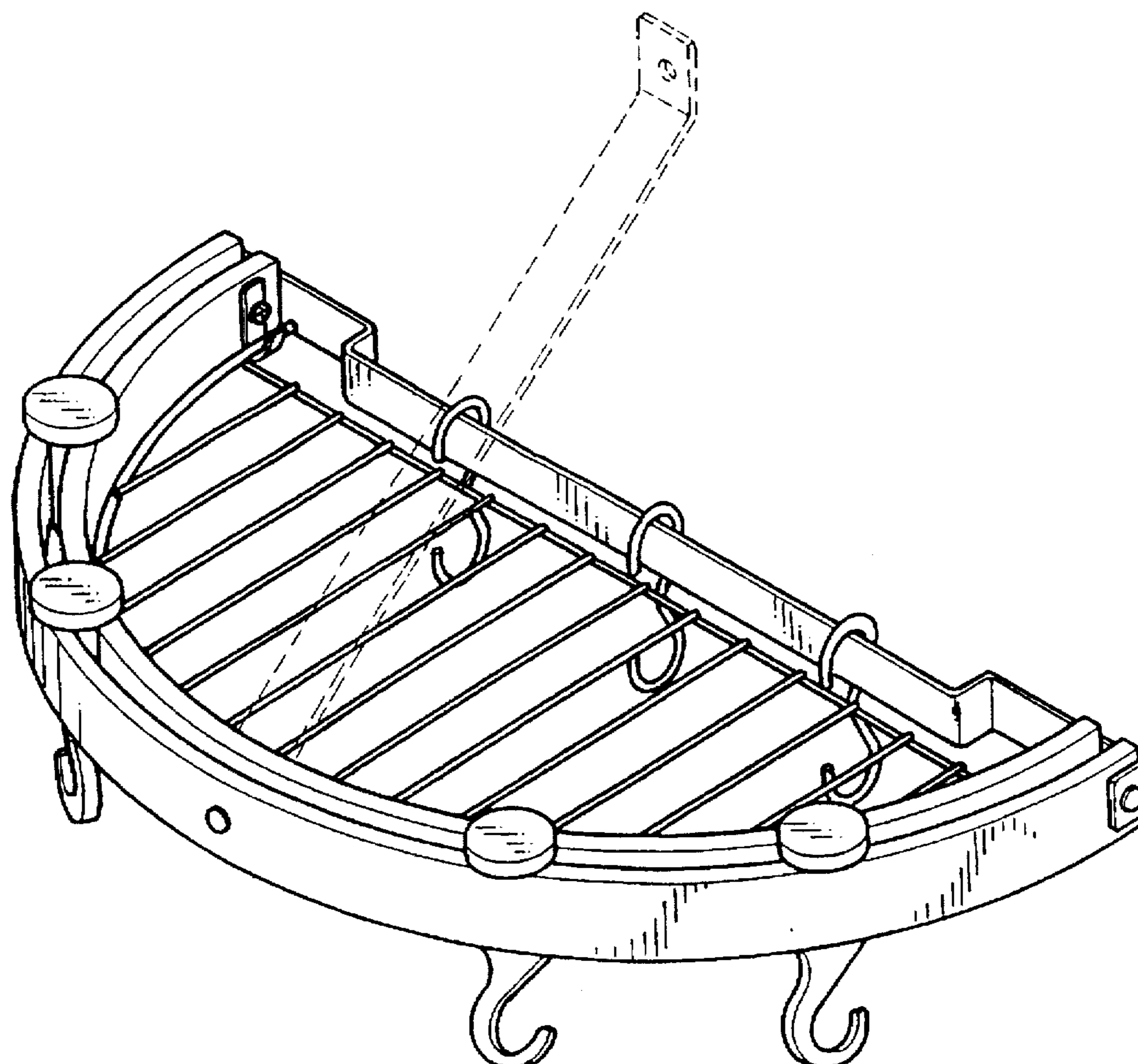
[57] **CLAIM**

The ornamental design for a half-round wall rack, as shown and described.

DESCRIPTION

FIG. 1 is a perspective view of a half-round wall rack showing my new design;
FIG. 2 is a front view thereof;
FIG. 3 is a rear view thereof;
FIG. 4 is a left view thereof;
FIG. 5 is a right view thereof;
FIG. 6 is a top view thereof;
FIG. 7 is a bottom view thereof; and,
FIG. 8 is a top perspective view thereof, the broken lines shown are for illustrative purposes only and form no part of the claimed design.

1 Claim, 5 Drawing Sheets



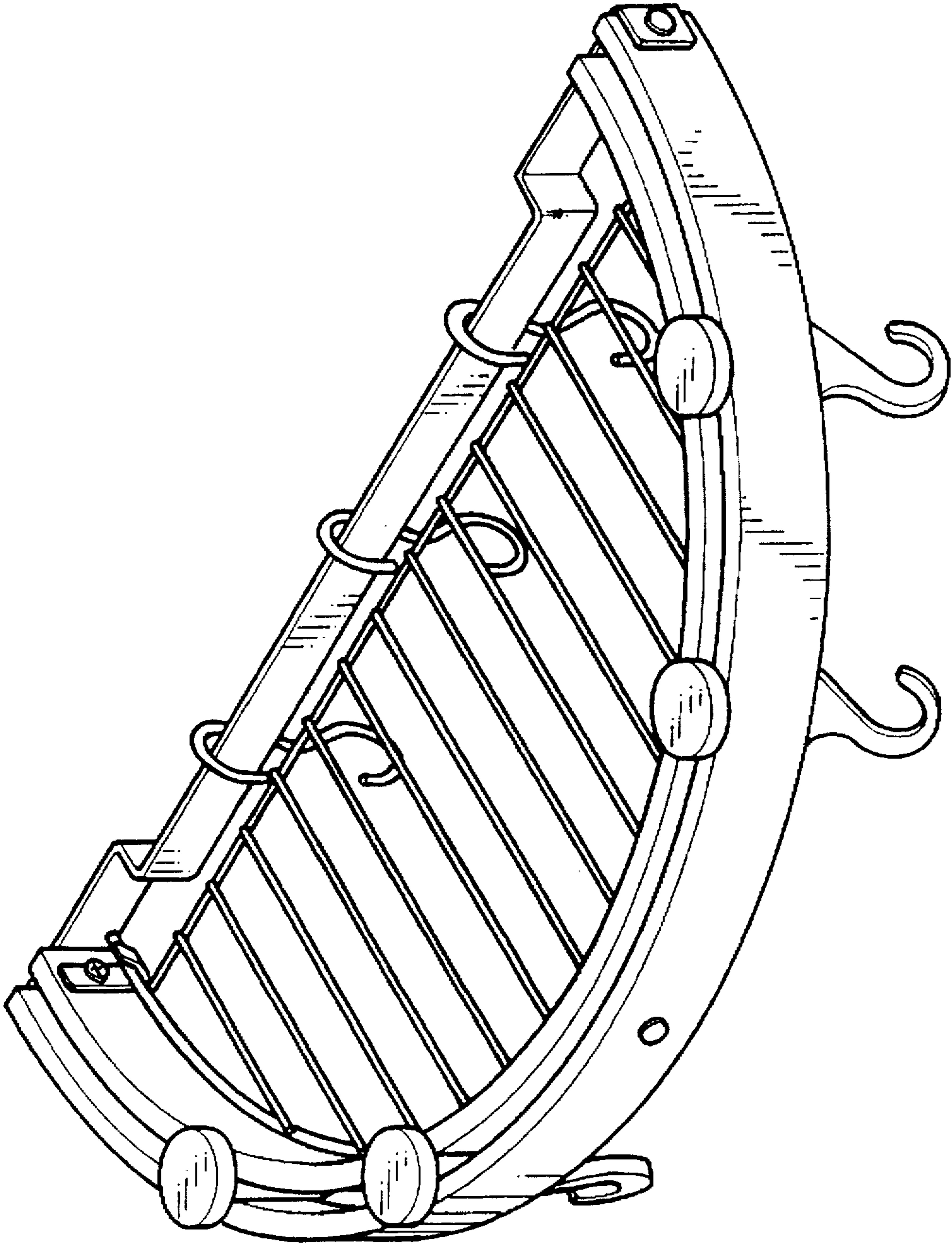


FIG. 1

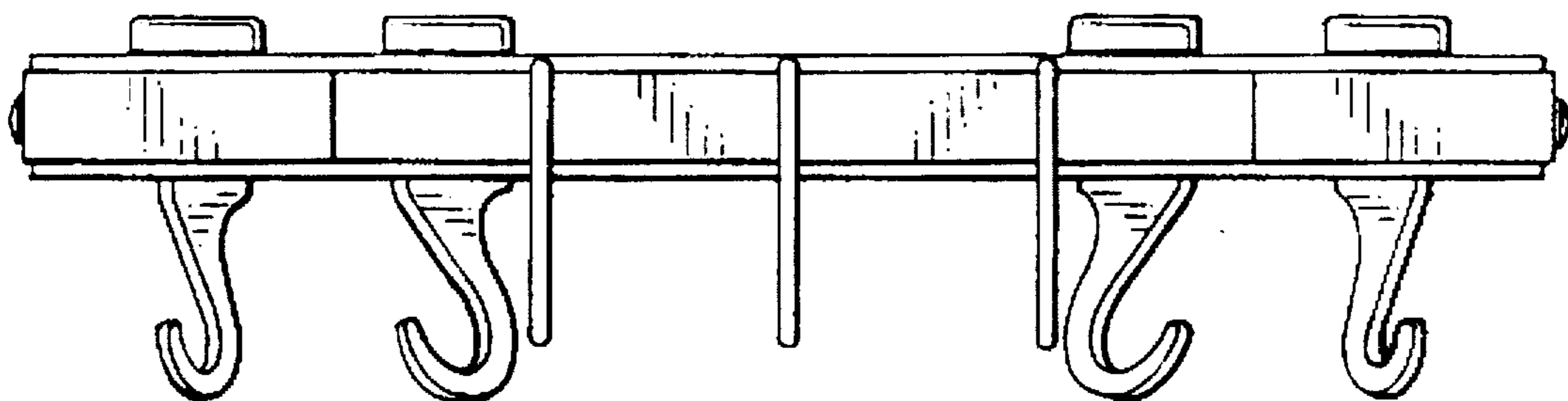


FIG. 3

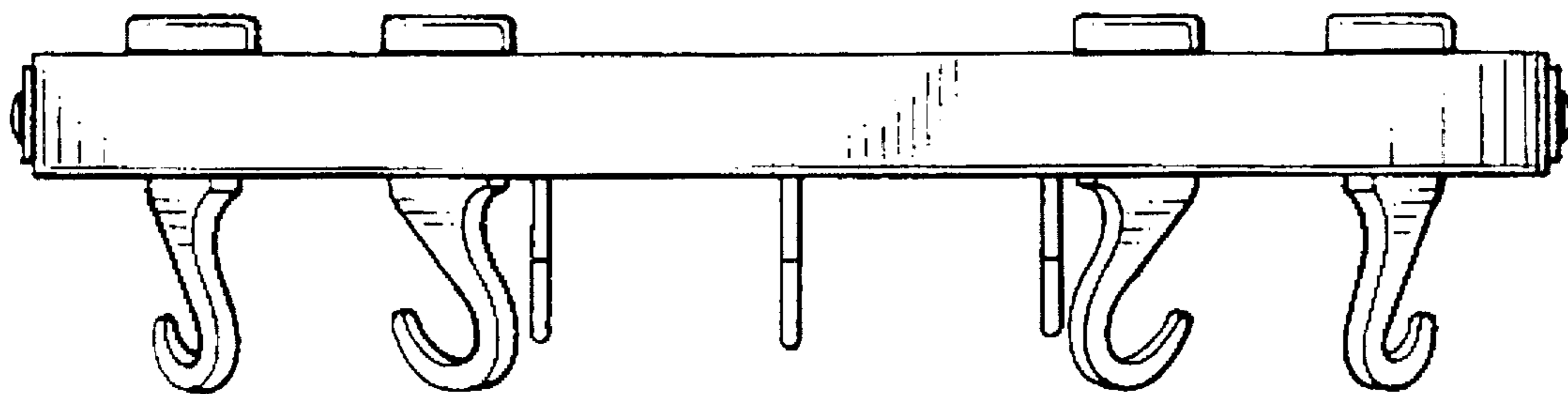


FIG. 2

FIG. 5

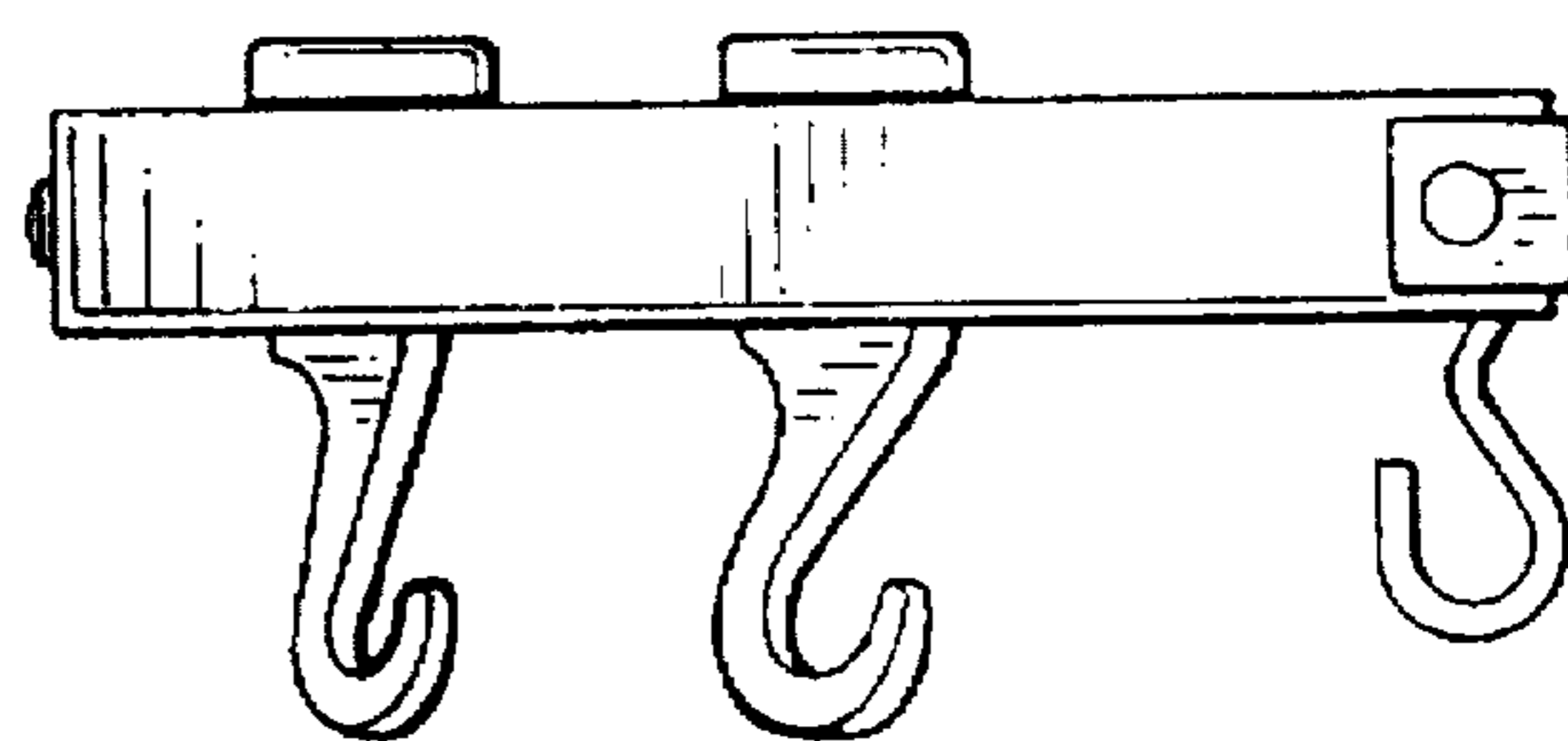


FIG. 4

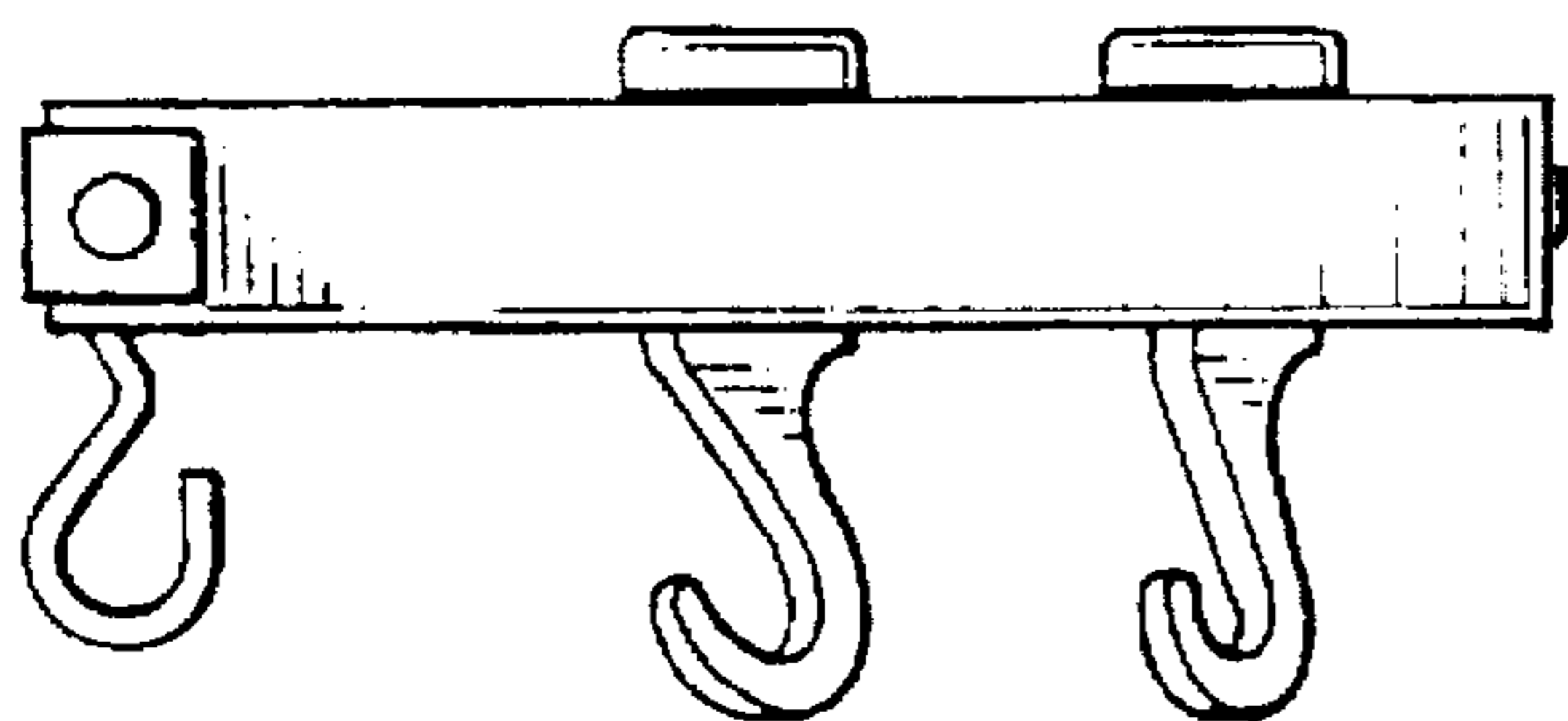


FIG. 6

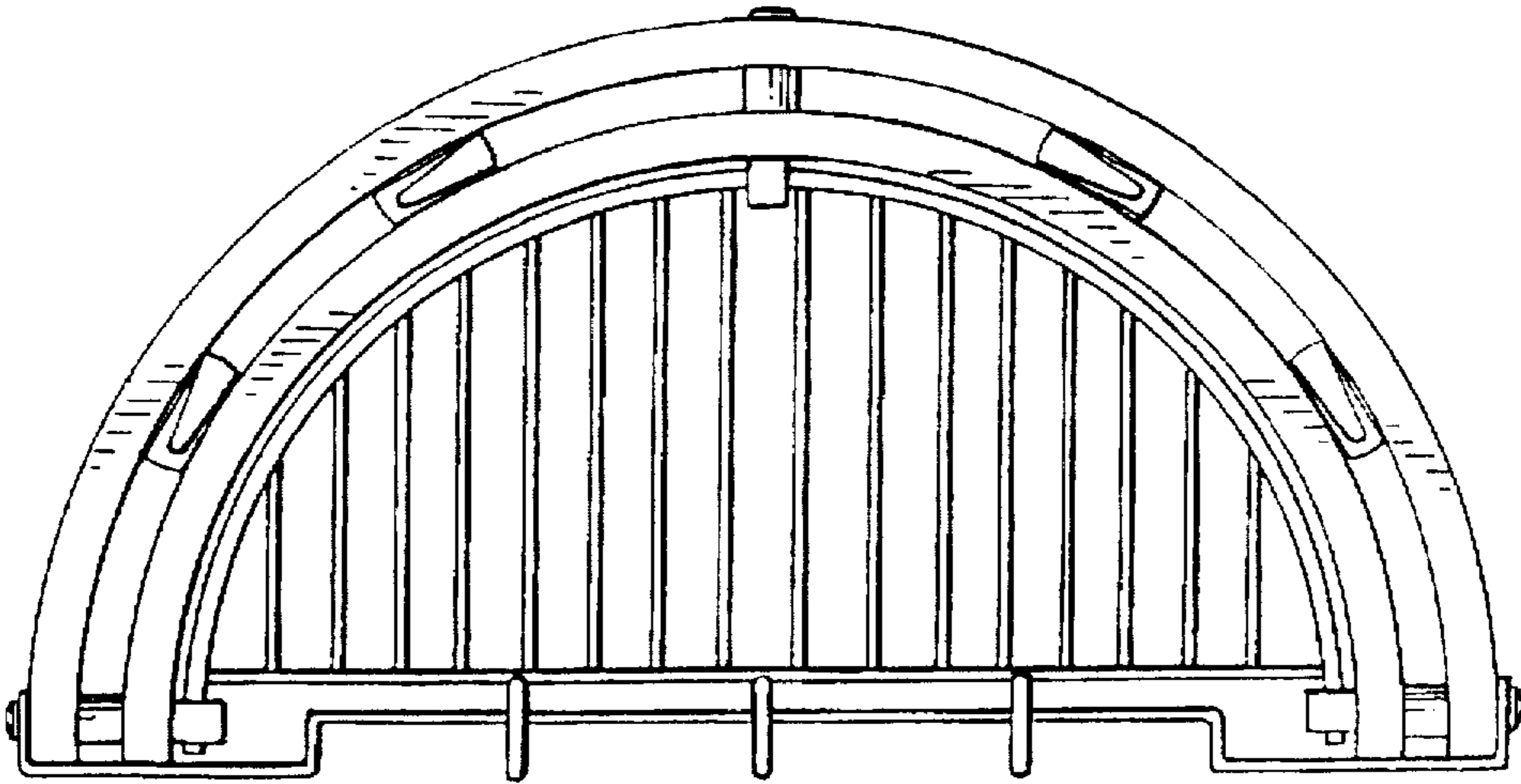
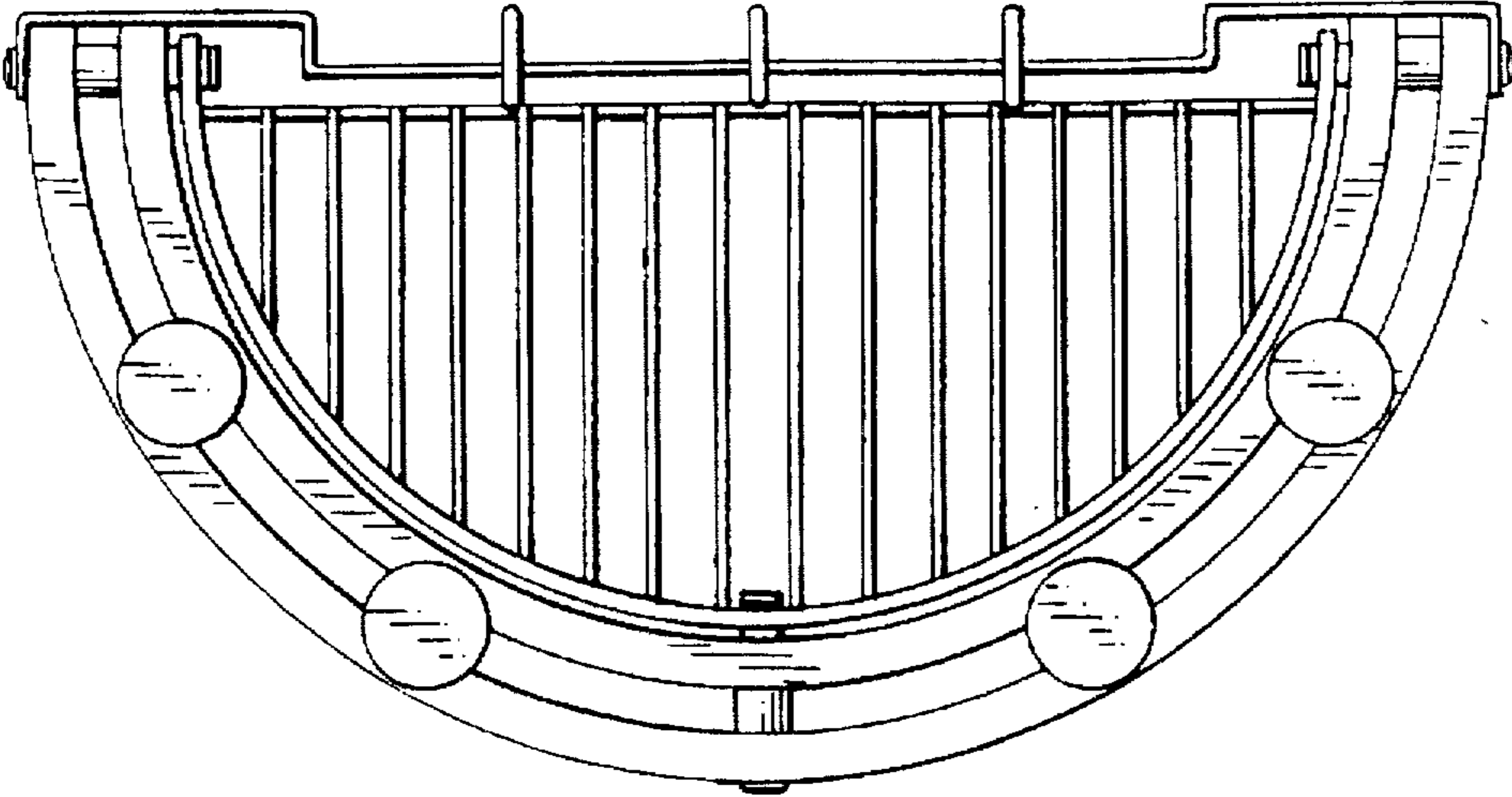


FIG. 7

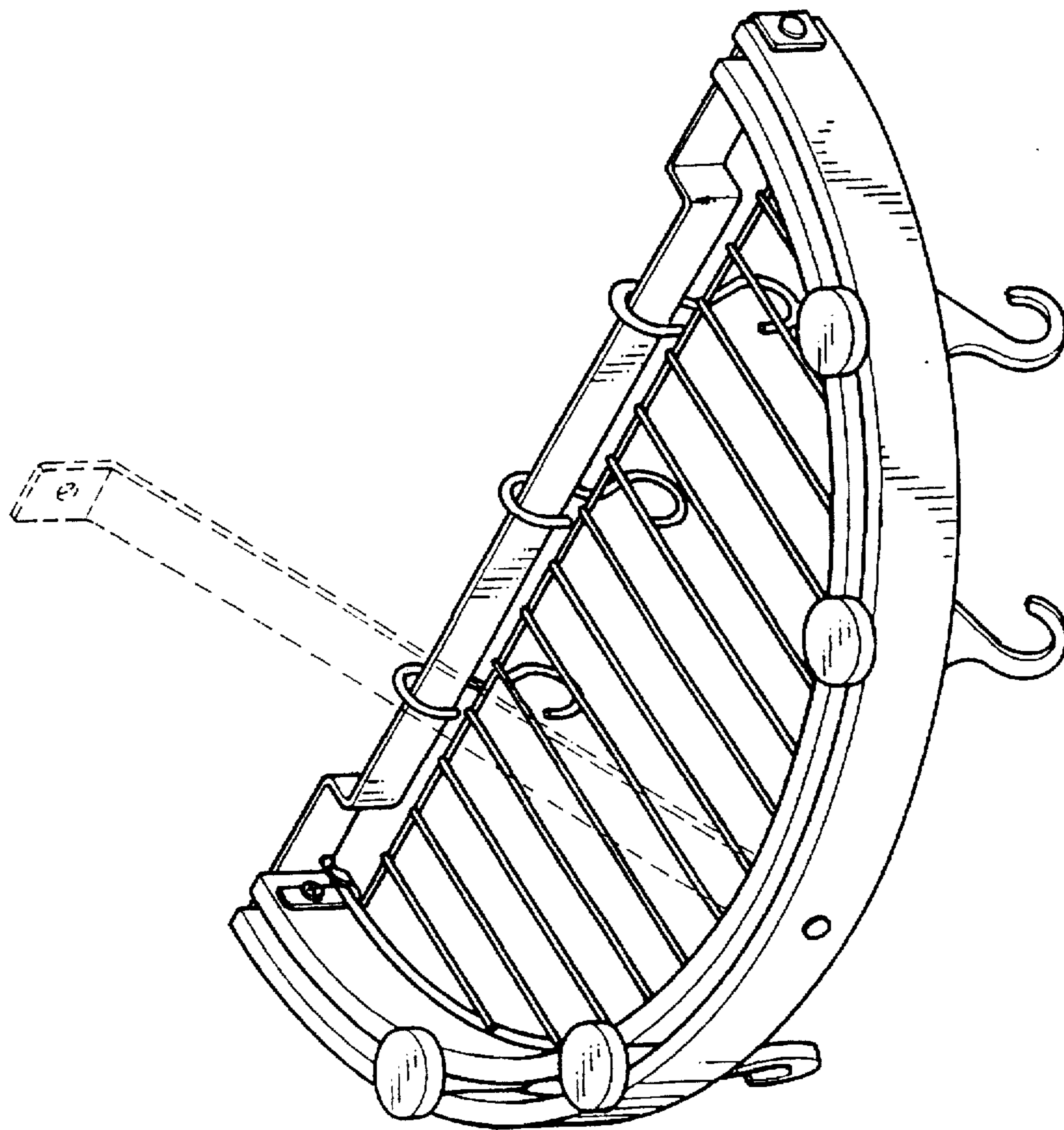


FIG. 8