



US00D391794S

United States Patent [19]
Helmsderfer

[11] **Patent Number: Des. 391,794**
[45] **Date of Patent: **Mar. 10, 1998**

[54] **BABY DIAPER CHANGING STATION**

[76] **Inventor: John A. Helmsderfer, 2151 Luray Ave., Cincinnati, Ohio 45206**

[**] **Term: 14 Years**

[21] **Appl. No.: 61,345**

[22] **Filed: Oct. 22, 1996**

[51] **LOC (6) Cl. 06-04**

[52] **U.S. Cl. D6/555**

[58] **Field of Search D6/555, 553, 559, D6/567, 574; 312/114, 126, 128-129, 204, 224, 231, 234, 242, 245; 211/13-14, 34-35, 69.1, 70.6, 70.7, 90**

[56] **References Cited**

U.S. PATENT DOCUMENTS

- D. 179,871 3/1957 Wrablica, Jr. .
- D. 243,048 1/1977 Touchett et al. .
- D. 243,213 2/1977 Kormos .
- D. 246,682 12/1977 Nakao .
- D. 248,805 8/1978 Bridges .
- D. 249,991 10/1978 Bridges .
- D. 250,800 1/1979 Trossman .
- D. 251,039 2/1979 Reppas .
- D. 255,734 7/1980 Liebman .
- D. 260,827 9/1981 Sommer .
- D. 263,532 3/1982 Ferdinand et al. .
- D. 265,703 8/1982 Zaro .
- D. 267,843 2/1983 Sundberg .
- D. 272,402 1/1984 Marrujo .
- D. 274,105 6/1984 Brescia et al. .
- D. 277,819 3/1985 Crosslen .
- D. 283,189 4/1986 Hampton .
- D. 284,530 7/1986 Riehm .
- D. 284,531 7/1986 Riehm .
- D. 284,723 7/1986 Morris et al. .
- D. 287,200 12/1986 Gecchelin .
- D. 287,318 12/1986 Garduno .
- D. 293,403 12/1987 Umanoff et al. .
- D. 293,404 12/1987 Murphy .
- D. 294,096 2/1988 Murphy .
- D. 295,007 4/1988 Hardy et al. .
- D. 299,687 2/1989 Handler et al. .
- D. 302,088 7/1989 Burt .
- D. 302,772 8/1989 Friedman D6/555

- D. 312,185 11/1990 Prater, Sr. .
- D. 313,516 1/1991 Socher .
- D. 314,112 1/1991 Dainty .
- D. 314,486 2/1991 Day .
- D. 318,307 7/1991 Hahn et al. .
- D. 322,531 12/1991 Hobson .
- D. 325,309 4/1992 Worrell .
- D. 325,826 5/1992 Brunner et al. .
- D. 326,384 5/1992 Burt et al. D6/553
- D. 327,786 7/1992 Ferrell .
- D. 329,950 10/1992 Takahashi et al. .
- D. 330,986 11/1992 Lau D6/555
- D. 332,197 1/1993 Chase .
- D. 333,389 2/1993 Saito et al. .
- D. 333,923 3/1993 Dainty .
- D. 336,192 6/1993 Wedeking .
- D. 344,869 3/1994 Paradis et al. .
- 1,576,034 3/1926 Butt 211/90
- 2,174,363 9/1939 Eubank .
- 4,074,635 2/1978 Stauble .
- 4,125,192 11/1978 Dayen .
- 4,133,063 1/1979 Jones-Steele .
- 4,155,609 5/1979 Skafte et al. 312/245
- 4,205,669 6/1980 Hamann .
- 4,216,951 8/1980 Griffin .
- 4,527,830 7/1985 Meyers .
- 4,633,789 1/1987 Kortering et al. .
- 4,712,258 12/1987 Eves .
- 4,723,493 2/1988 Siani et al. .
- 4,788,726 12/1988 Rafalko .
- 4,796,314 1/1989 Garduno .
- 4,972,532 11/1990 Juan .
- 5,081,724 1/1992 Takahashi et al. .
- 5,082,336 1/1992 Munch et al. D6/555

Primary Examiner—Susan J. Lucas
Assistant Examiner—Pamela Burgess
Attorney, Agent, or Firm—Wood, Herron & Evans LLP

[57] **CLAIM**

The ornamental design for a baby diaper changing station, as shown and described.

DESCRIPTION

FIG. 1 is a perspective view of a baby diaper changing station showing my new design in an opened position on a portion of a wall;

FIG. 2 is a perspective view thereof in a closed position on a wall;

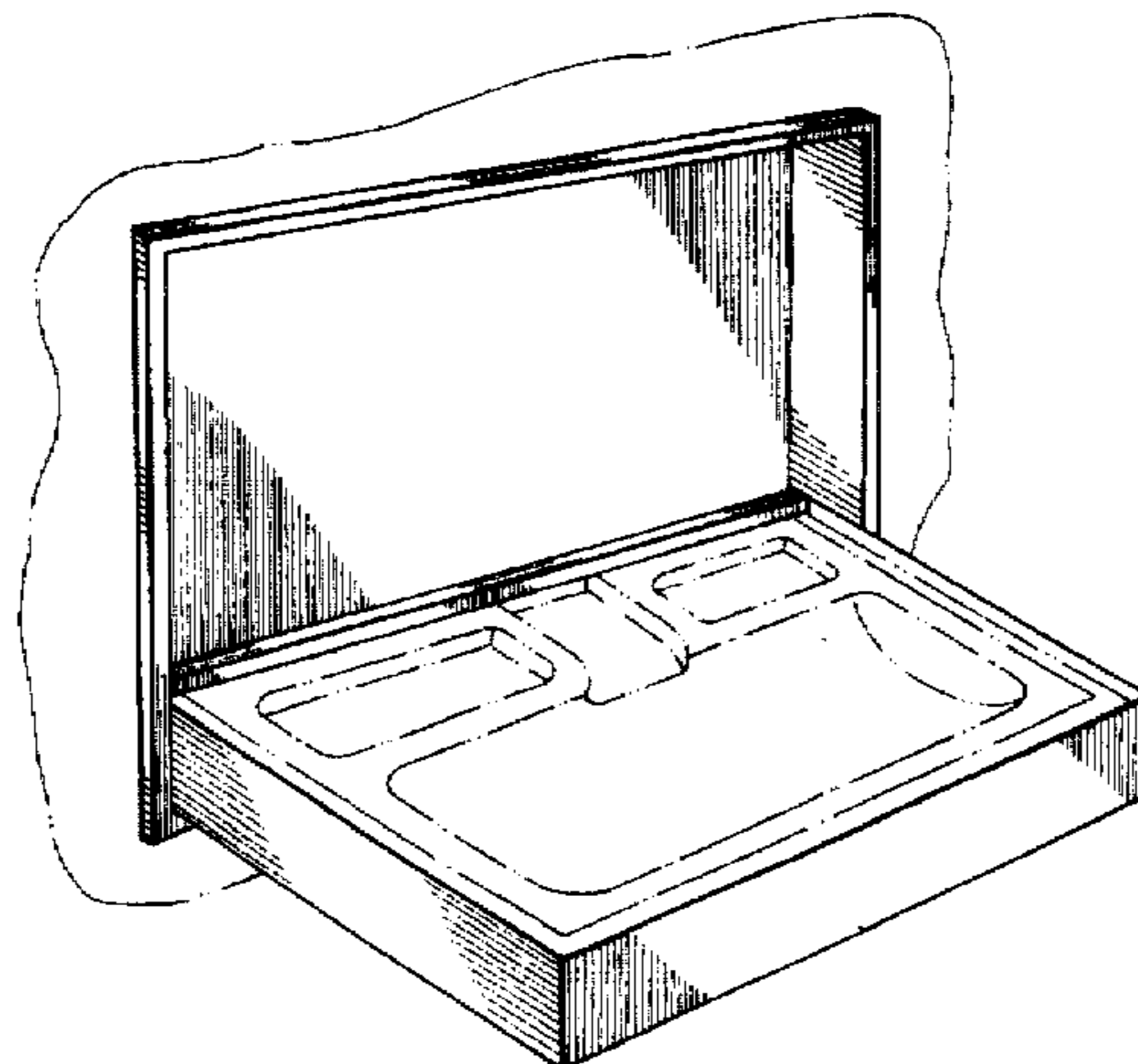


FIG. 3 is a front elevation view thereof in a closed position on a wall;

FIG. 4 is a side elevational view thereof in an opened position on a wall with the other side elevational view being a mirror image;

FIG. 5 is a front elevational view thereof in an opened position on a wall;

FIG. 6 is a top plan view thereof in an opened position on a wall;

FIG. 7 is a side elevational view thereof in a closed position on a wall with the other side elevational view being a mirror image; and,

FIG. 8 is a top plan view thereof in a closed position on a wall, the bottom plan view being a mirror image.

The broken-line disclosure of a portion of a wall in all figures is for illustrative purposes only and forms no part of the claimed design.

The broken-line disclosure depicting environmental structure on the article shelf (FIGS. 1 and 6) is for illustrative purposes only and forms no part of the claimed design.

1 Claim, 3 Drawing Sheets

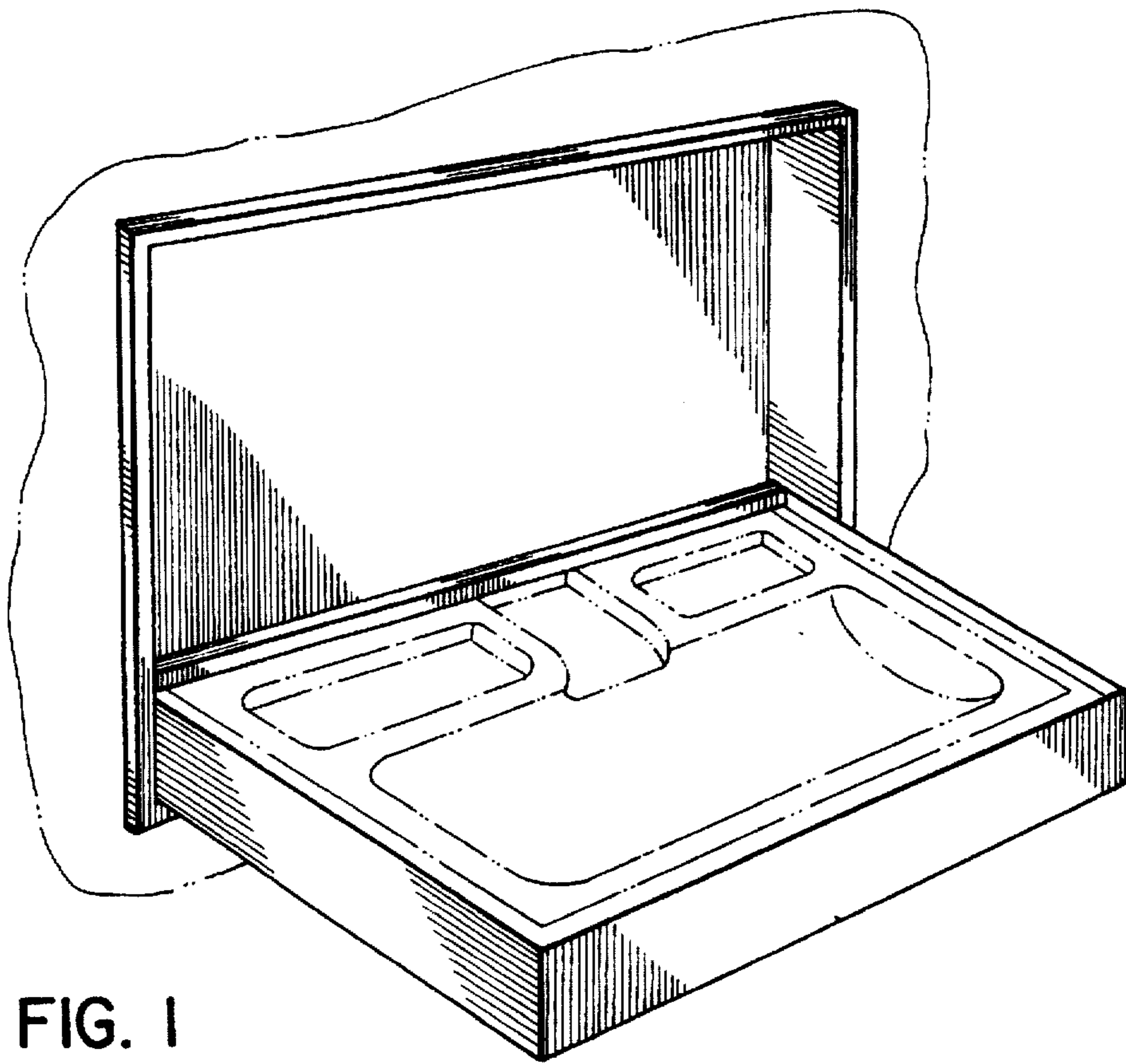


FIG. 1

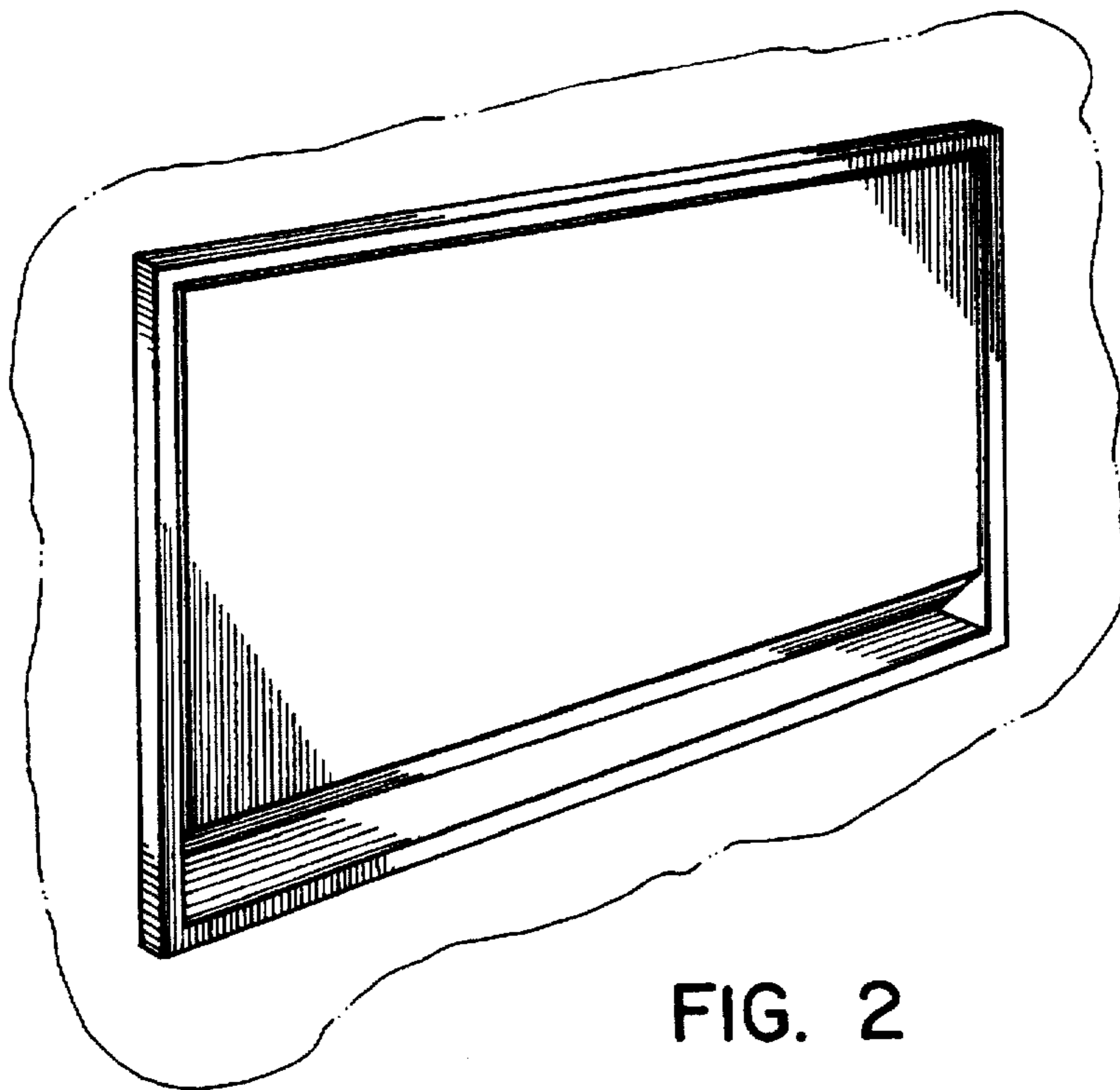


FIG. 2

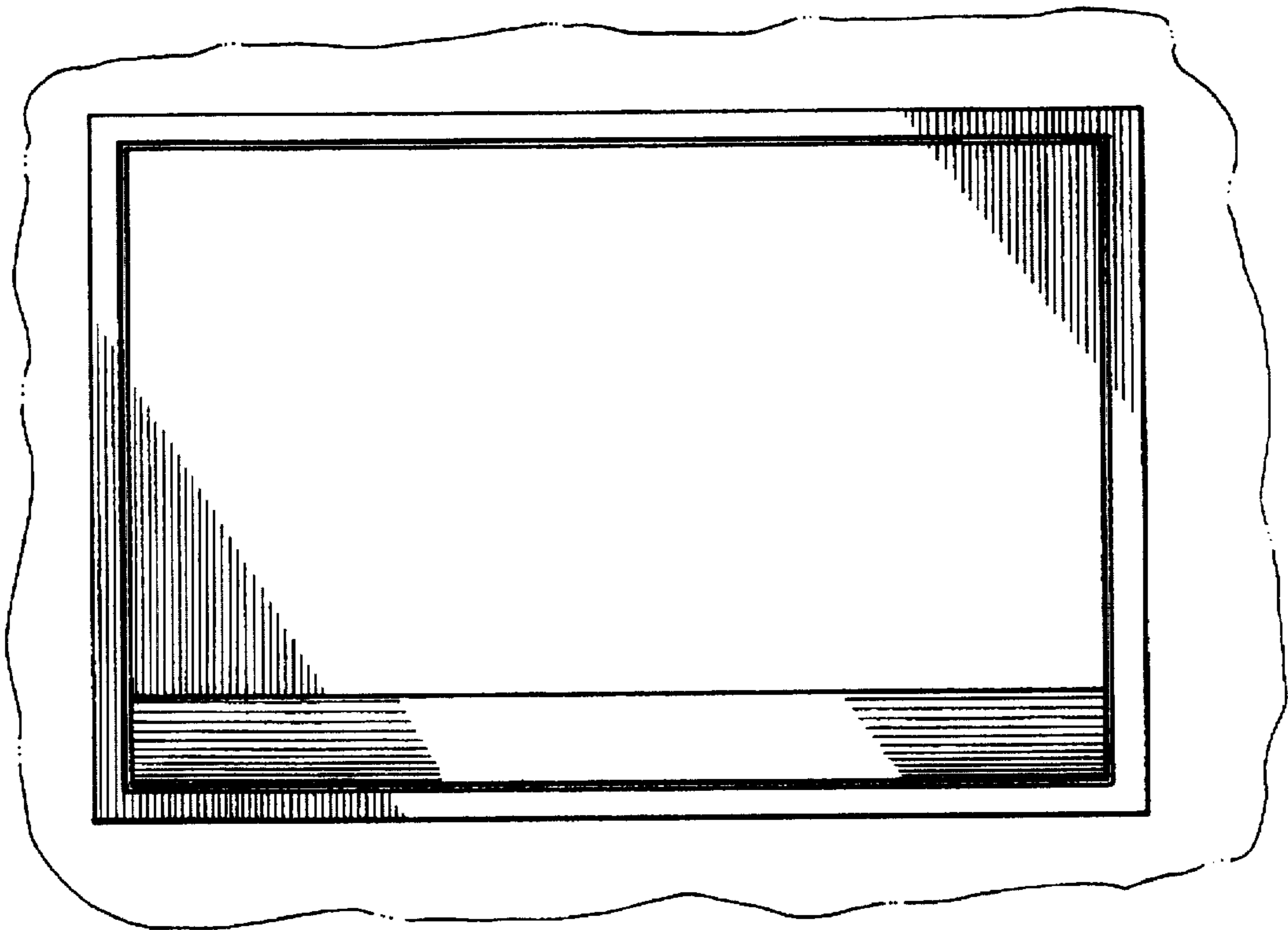


FIG. 3

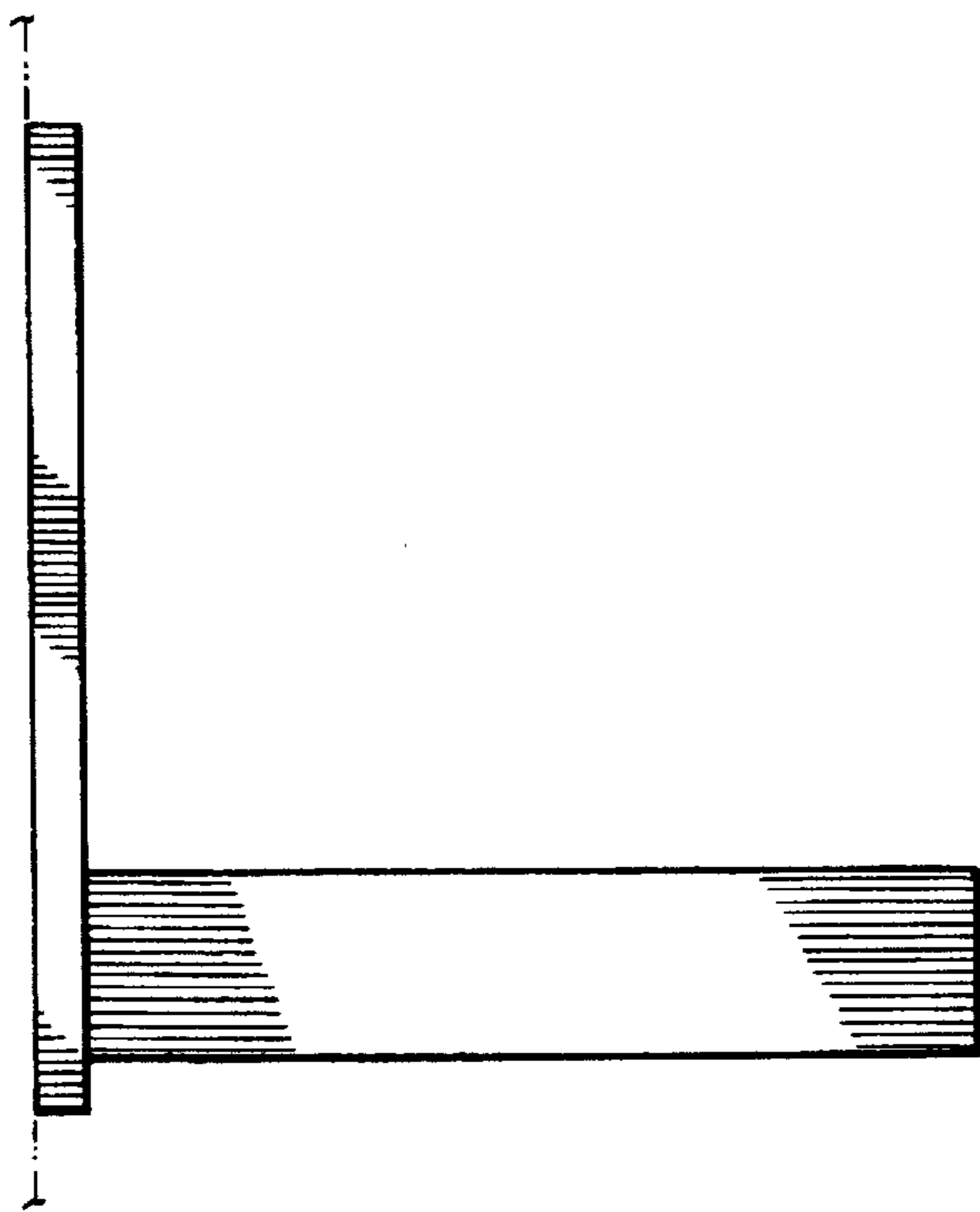


FIG. 4

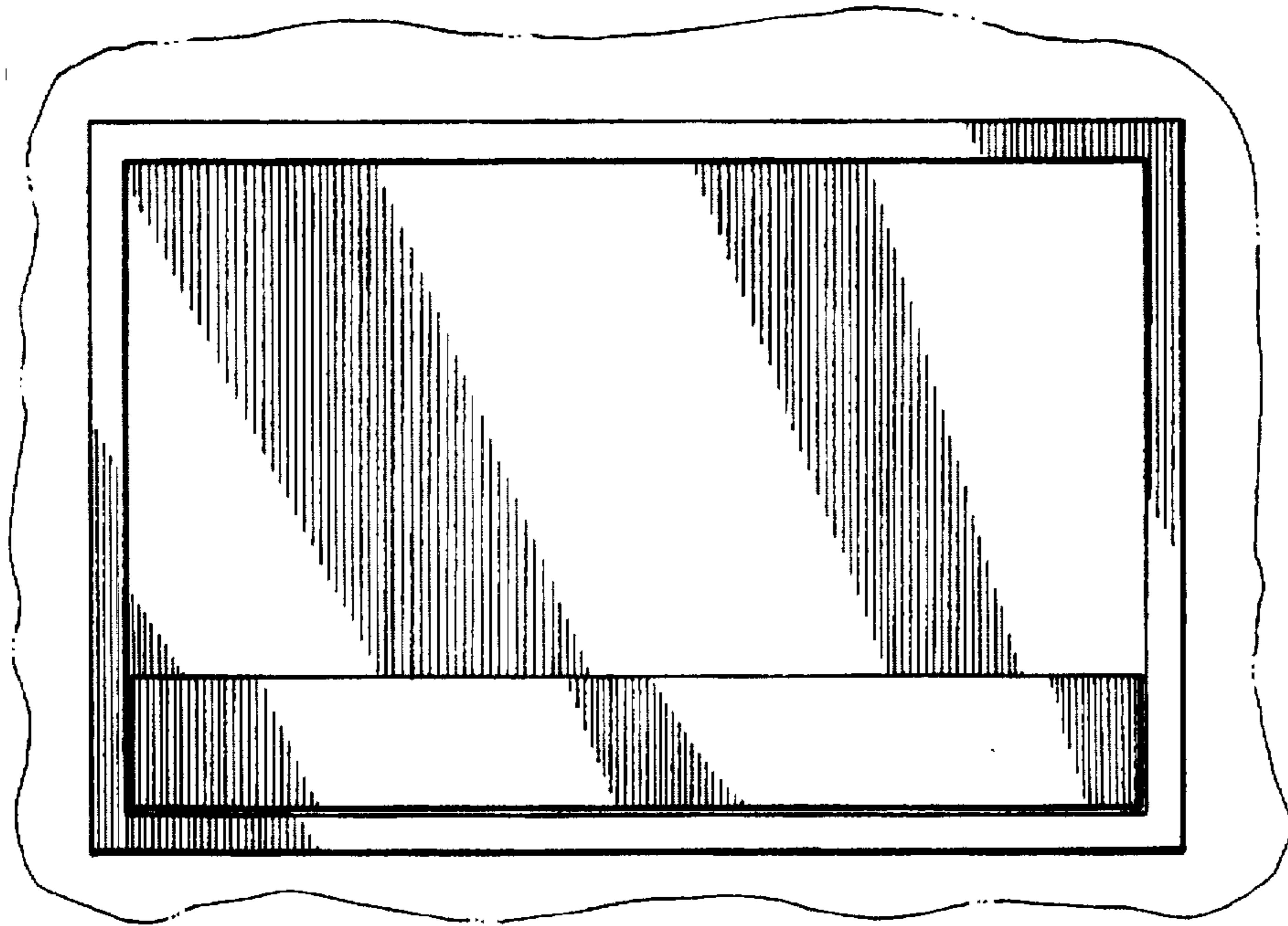


FIG. 5

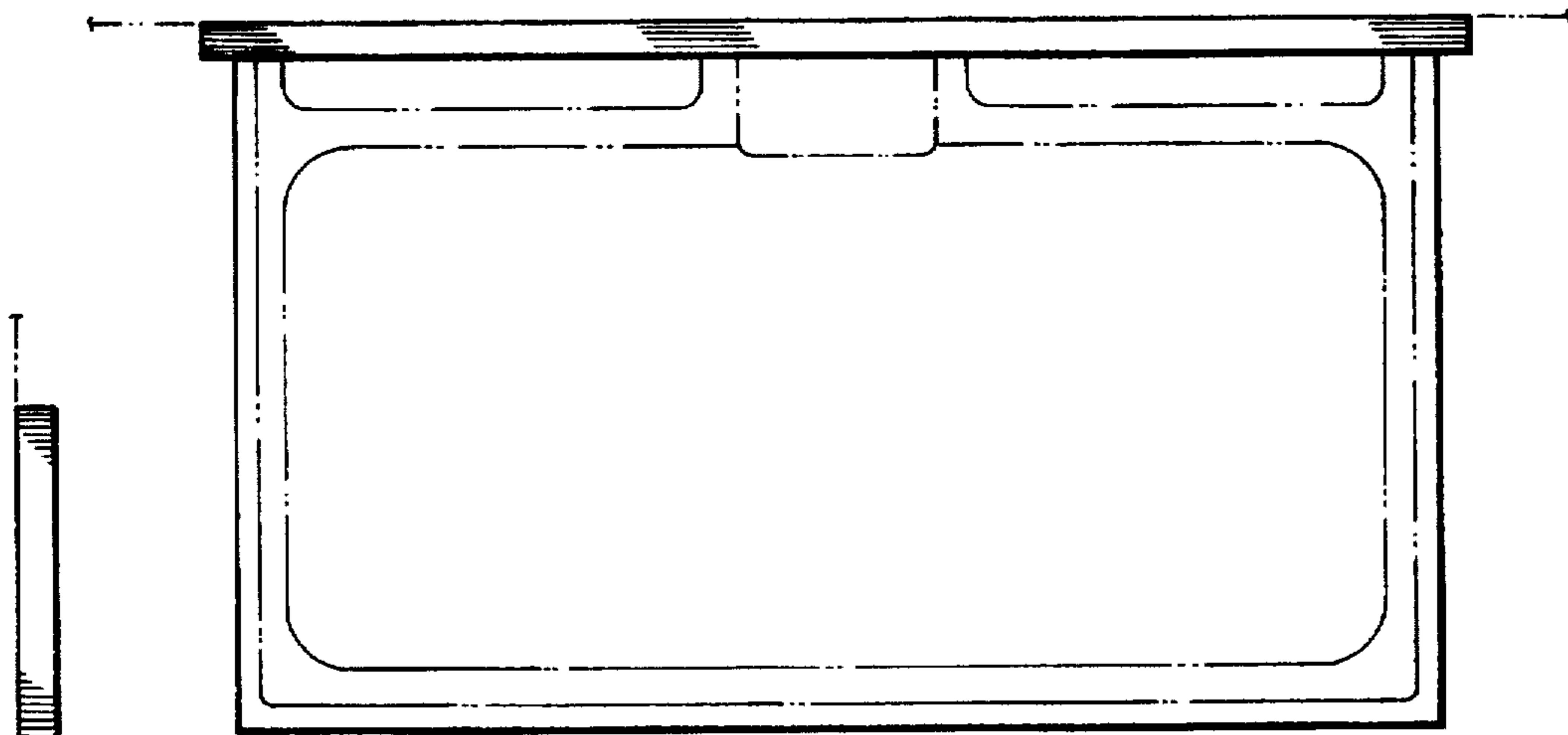


FIG. 6



FIG. 7

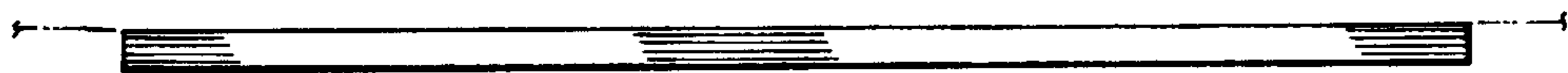


FIG. 8