



US00D391792S

# United States Patent [19]

Scherer et al.

[11] Patent Number: Des. 391,792

[45] Date of Patent: \*\*Mar. 10, 1998

[54] PORTABLE, FOLDABLE BED RAIL

[75] Inventors: **Craig S. Scherer, Wilmette; Michael C. Thuma, Desplaines; Ann-Marie Conrado, Chicago, all of Ill.**

[73] Assignee: **BRK Brands, Inc., Aurora, Ill.**

[\*\*] Term: **14 Years**

[21] Appl. No.: **54,699**

[22] Filed: **May 20, 1996**

[51] LOC (6) Cl. .... **06-94**

[52] U.S. Cl. .... **D6/503**

[58] Field of Search ..... D6/503, 491; 5/424-426, 5/428, 512; D24/184

[56] **References Cited**

**U.S. PATENT DOCUMENTS**

229,834	7/1880	McMann .	
D. 317,098	5/1991	Shuler .....	D6/503
D. 339,702	9/1993	Hershkovitz .....	D6/503
D. 365,476	12/1995	Bernstein et al. ....	D6/503
1,039,986	10/1912	Merrit .	
1,041,147	10/1912	Murphy .	
1,066,976	7/1913	Atkinson .	
1,135,523	4/1915	Henderson .	
1,915,774	6/1933	Busch .	
2,048,955	7/1936	Showalter .....	5/94
2,209,801	7/1940	Valverde .....	219/45
2,369,552	2/1945	Ferran .....	5/94
2,532,007	11/1950	Biasell .....	5/94
2,571,364	10/1951	Hosking .....	24/73
2,602,171	7/1952	Good .....	5/319
2,608,696	9/1952	Le Roy .....	5/100
2,611,909	9/1952	Dillon et al. ....	5/331
2,619,215	11/1952	Guss .....	197/102
2,666,217	1/1954	Stuart .....	5/331
2,703,413	3/1955	Klebanoff .....	5/94
2,720,878	10/1955	Hickman .....	128/80
2,763,014	9/1956	Luger .....	5/331
2,817,854	12/1957	Pratt .....	5/331
2,817,855	12/1957	Pratt .....	5/331
2,859,454	11/1958	Beckwell .....	5/331
2,871,490	2/1959	Balonick .....	5/331
2,904,799	9/1959	Berlin .....	5/331
2,929,078	3/1960	Smith et al. ....	5/331

2,952,855	9/1960	Zuti .....	5/317
2,979,738	4/1961	Goldberg .....	5/331
3,002,200	10/1961	Murcott .....	5/331
3,021,534	2/1962	Hausted .....	5/331
3,032,781	5/1962	Constanti .....	5/331
3,089,152	5/1963	Murcott .....	5/331
3,179,957	4/1965	Norton .....	5/331
3,234,570	2/1966	Hutt .....	5/331
3,248,744	5/1966	Hutt .....	5/331
3,290,701	12/1966	Luff .	
3,402,409	9/1968	Kain .....	5/331
3,482,810	12/1969	Bailey .....	248/311
3,602,929	9/1971	Murcott et al. ....	5/331
3,616,469	11/1971	Injeski .	
3,747,133	7/1973	Hutt .....	5/331
3,855,654	12/1974	Pivacek .....	5/331
3,971,083	7/1976	Peterson .....	5/331
4,084,277	4/1978	Conrad et al. ....	5/331
4,103,376	8/1978	Benoit et al. ....	5/331
4,178,645	12/1979	Cosme .....	5/426
4,186,456	2/1980	Huempfer .....	5/428

(List continued on next page.)

Primary Examiner—Janice E. Seeger  
Attorney, Agent, or Firm—Paul M. Vargo, Esq.

[57] **CLAIM**

The ornamental design for a portable, foldable bed rail, as shown and described.

**DESCRIPTION**

FIG. 1 is a front perspective view of a portable, foldable bed rail embodying the principles of the present invention, illustrated in the upright or operative position;

FIG. 2 is a rear perspective view of the portable, foldable bed rail of FIG. 1;

FIG. 3 is a front view of the bed rail of FIG. 1;

FIG. 4 is a rear view of the bed rail of FIG. 1;

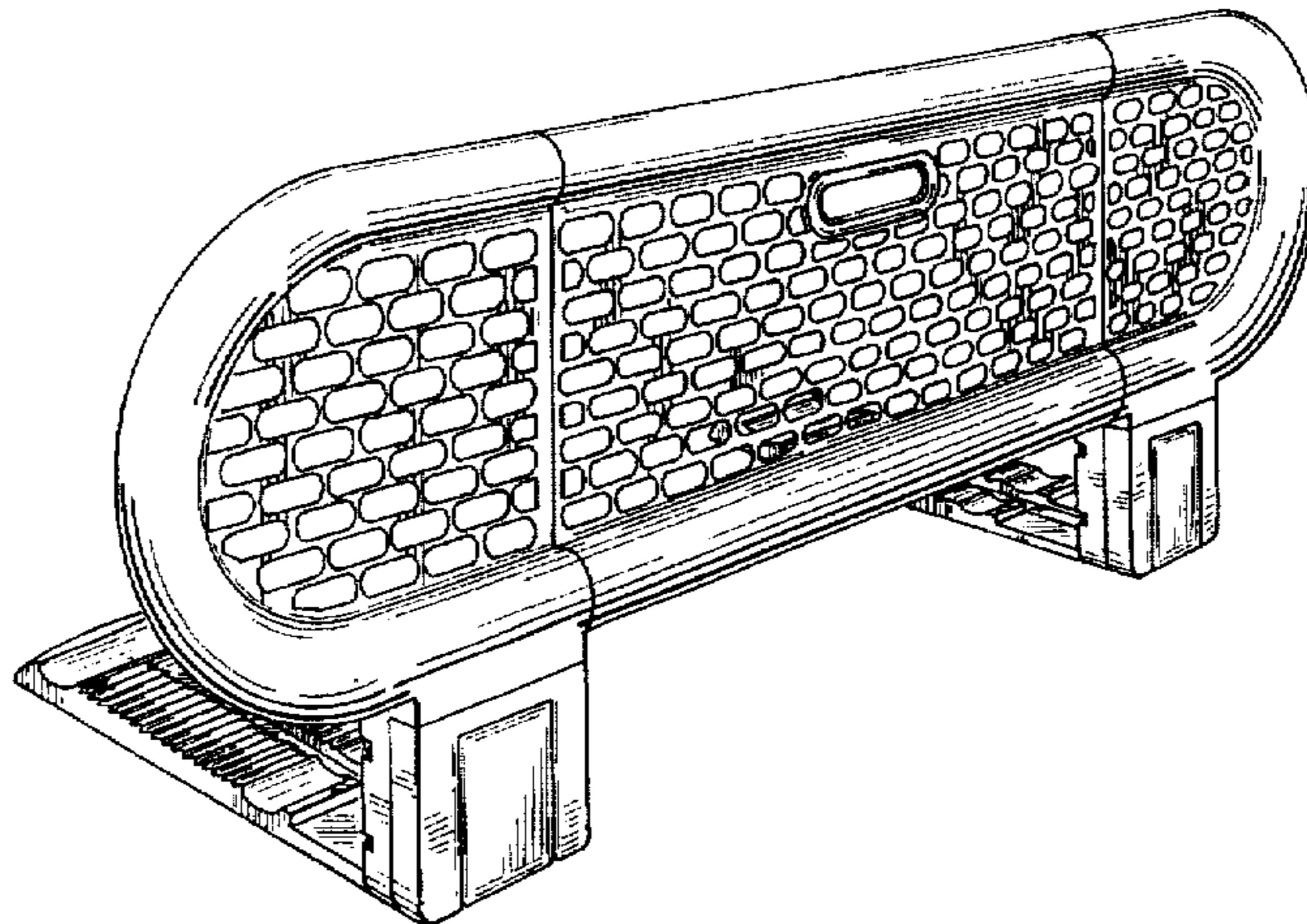
FIG. 5 is a side view of the bed rail of FIG. 1, the opposite side being a mirror image thereof;

FIG. 6 is a top view of the bed rail of FIG. 1;

FIG. 7 is a front, perspective view of the bed rail of FIG. 1, illustrated in the downfolded position; and,

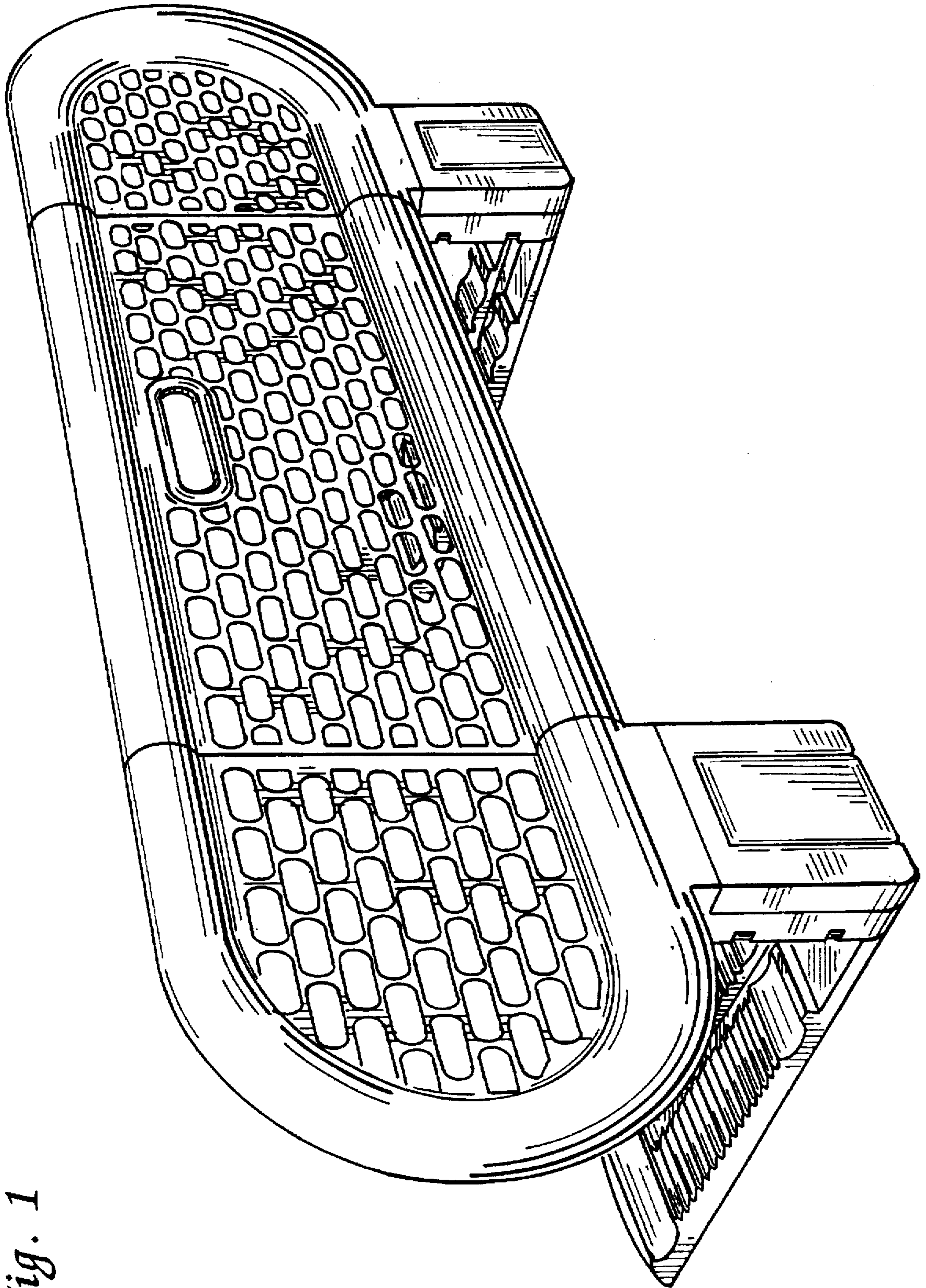
FIG. 8 is a perspective view of the bed rail of FIG. 1, illustrated in the folded state.

1 Claim, 8 Drawing Sheets



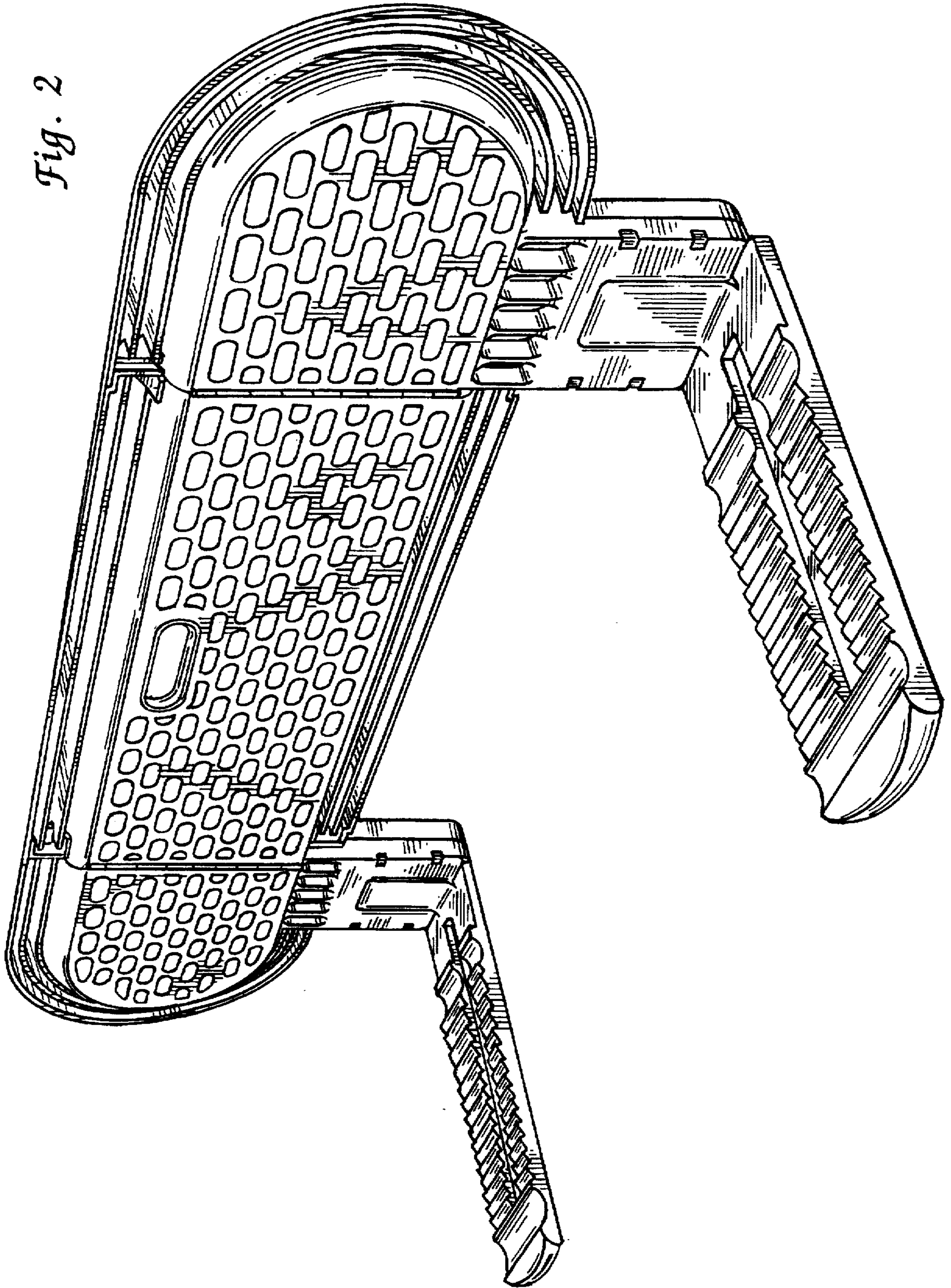
U.S. PATENT DOCUMENTS							
4,214,327	7/1980	Smith .....	5/444	4,783,864	11/1988	Turner .....	5/424
4,215,446	8/1980	Mahoney .....	5/425	4,833,743	5/1989	Howell .....	5/426
4,431,154	2/1984	Hamm .....	248/215	5,038,430	8/1991	Bly .....	5/425
4,483,028	11/1984	Payne .....	5/426	5,044,025	9/1991	Hunsinger et al. ....	5/424
4,484,367	11/1984	Jenkins .....	5/425	5,175,897	1/1993	Marra, Jr. ....	5/425
4,672,703	6/1987	Frazier .....	5/503	5,191,663	3/1993	Holder et al. ....	5/424
4,724,559	2/1988	Bly .....	5/425	5,365,623	11/1994	Springer .....	5/658
4,747,171	5/1988	Einsele et al. ....	5/425	5,437,067	8/1995	Bernstein et al. ....	5/426
				5,577,277	11/1996	Sundberg et al. ....	5/426





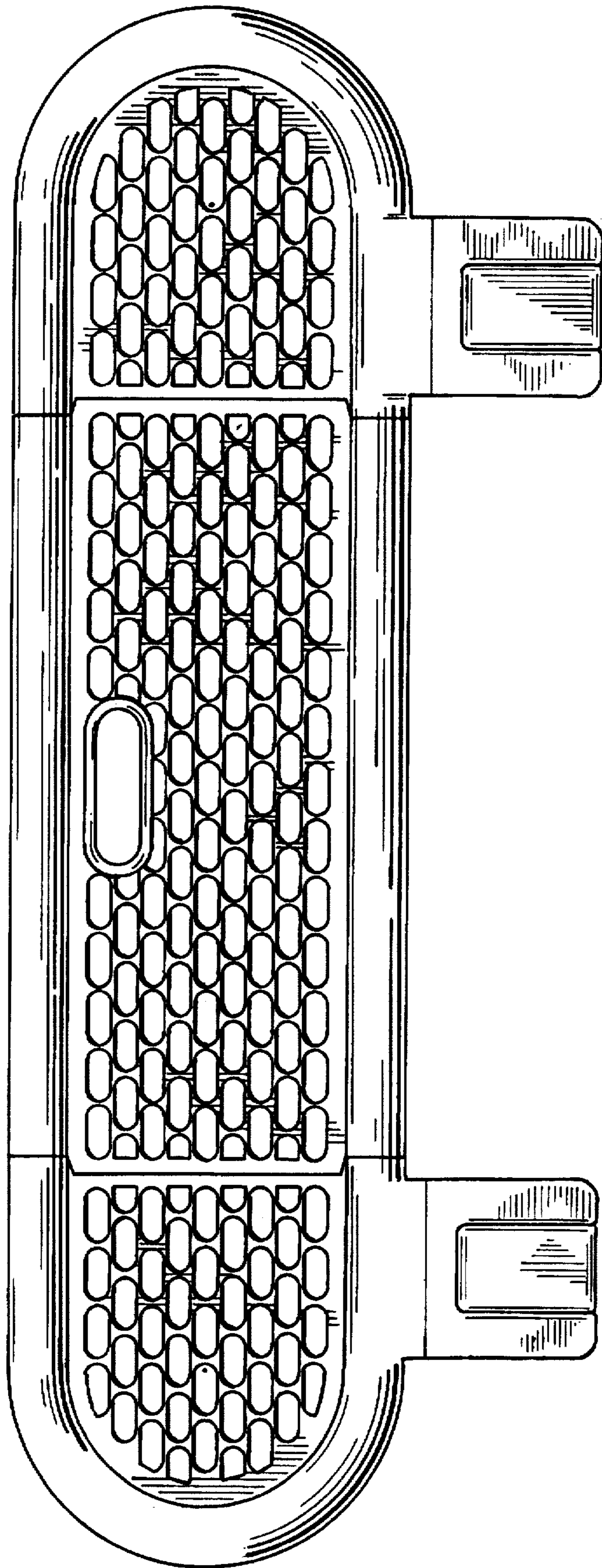
*Fig. 1*

*Fig. 2*

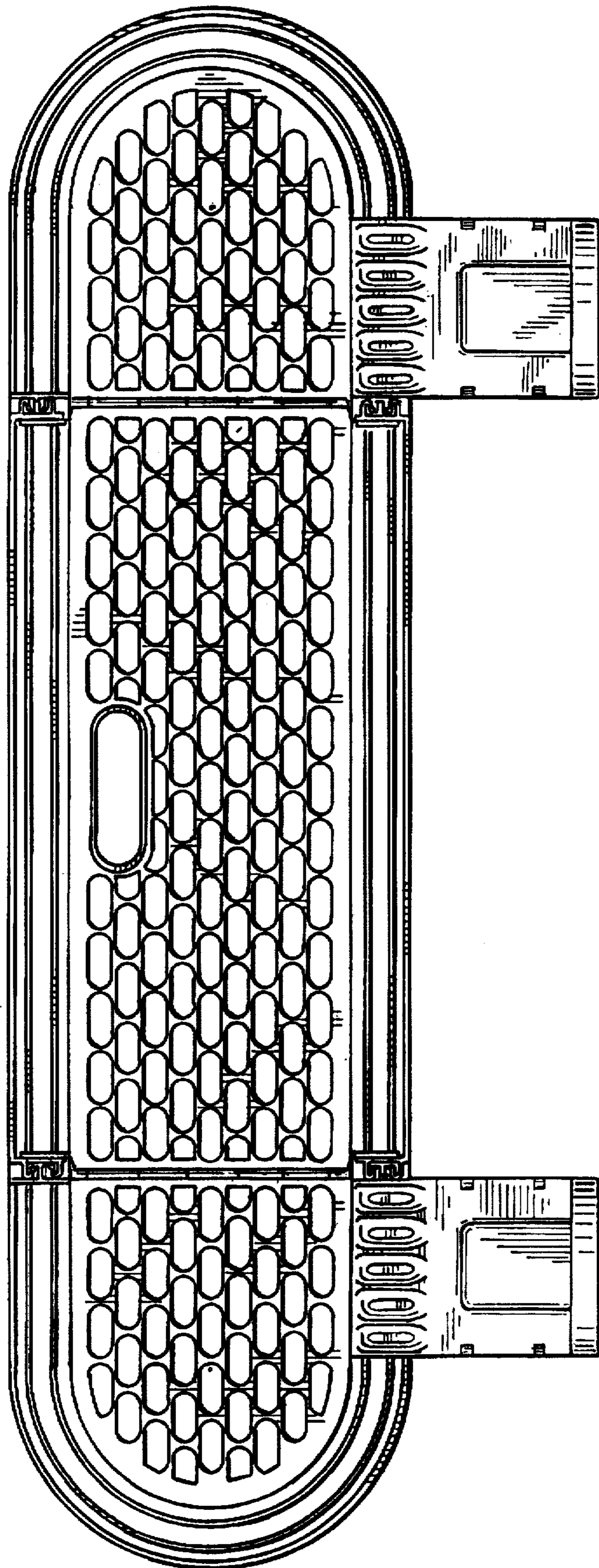




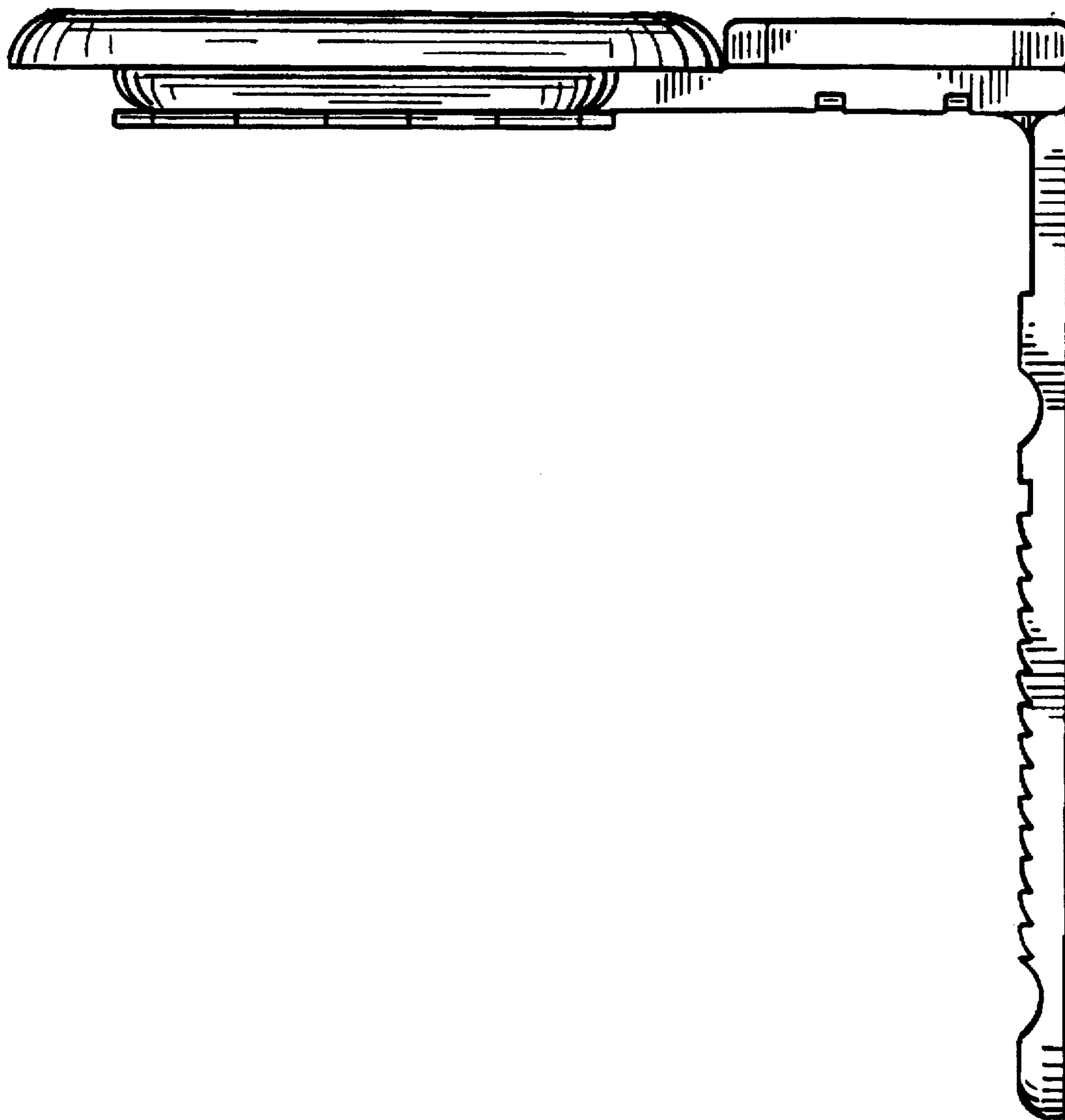
*Fig. 3*

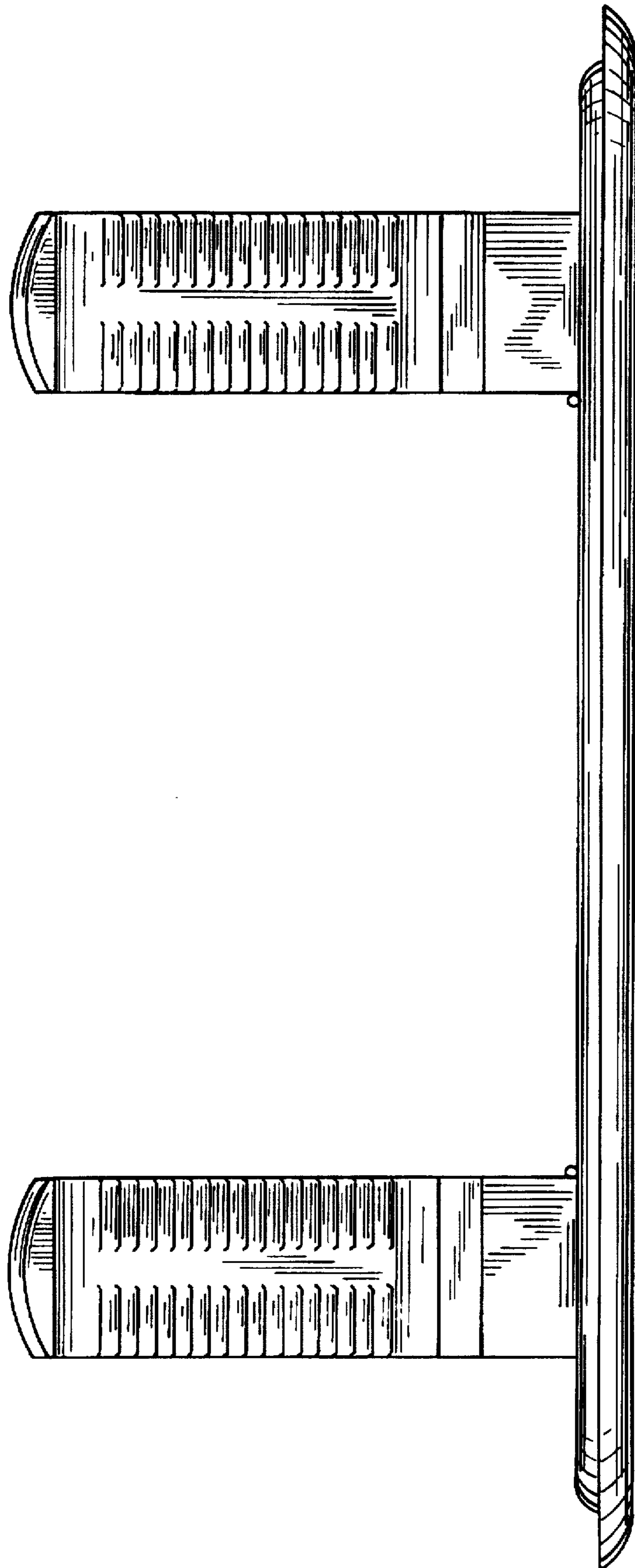


*Fig. 4*



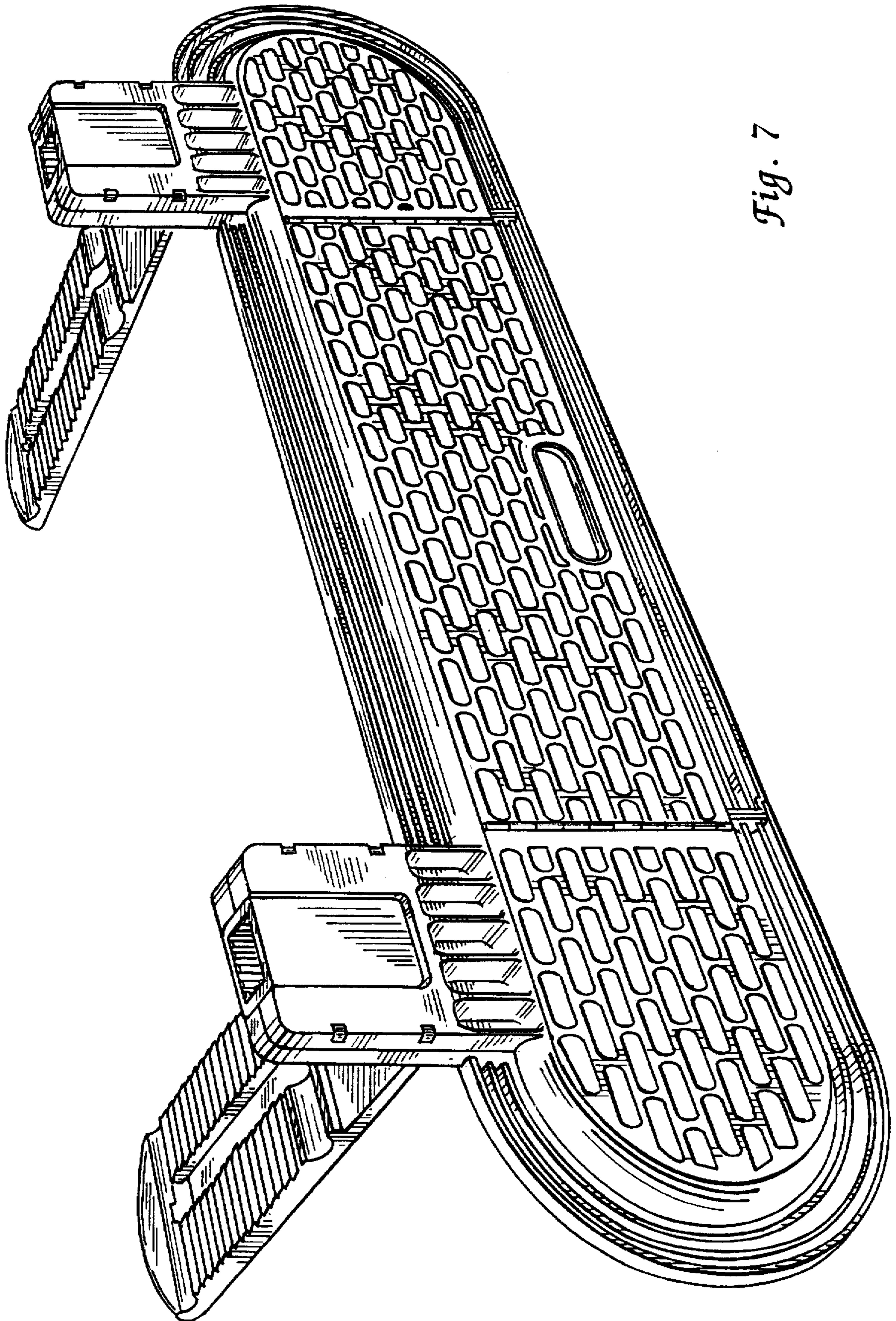
*Fig. 5*





*Fig. 6*





*Fig. 7*

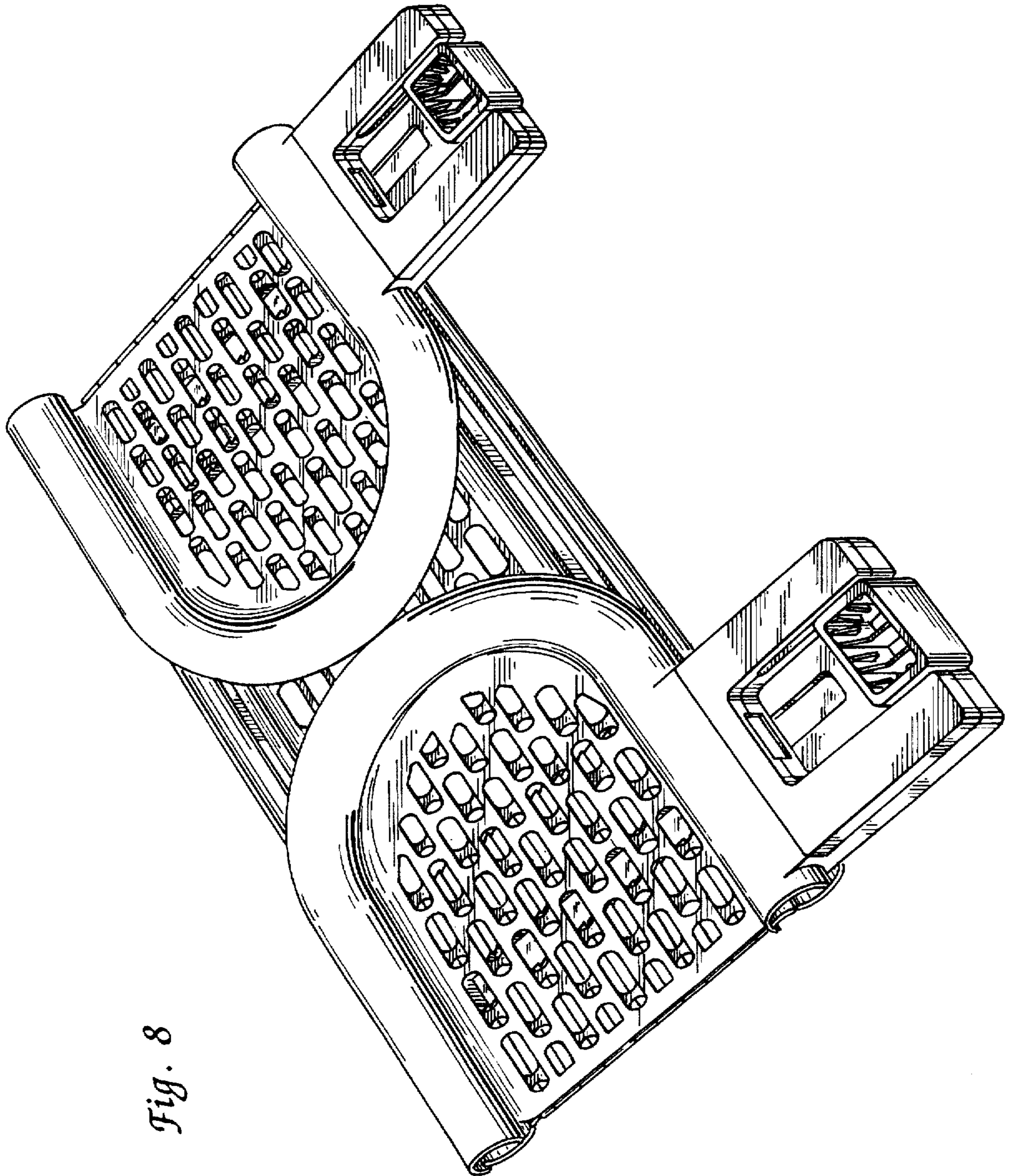


Fig. 8