



US00D391789S

United States Patent [19]

Schacht

[11] Patent Number: **Des. 391,789**

[45] Date of Patent: ****Mar. 10, 1998**

[54] **TABLE LEGS WITH INSERT**

[75] Inventor: **William F. Schacht**, Grand Rapids, Mich.

[73] Assignee: **Haworth, Inc.**, Holland, Mich.

[**] Term: **14 Years**

[21] Appl. No.: **60,392**

[22] Filed: **Sep. 27, 1996**

Related U.S. Application Data

[62] Division of Ser. No. 40,120, Jun. 9, 1995, Pat. No. Des. 379,127.

[51] LOC (6) Cl. **06-06**

[52] U.S. Cl. **D6/495; D25/125**

[58] Field of Search D6/480-489, 495-499; 108/153, 155, 156, 157, 161, 144; 248/188, 188.1, 188.8; D25/120, 125

[56] References Cited

U.S. PATENT DOCUMENTS

| | | | | |
|------------|---------|----------------------|-------|---------|
| D. 30,693 | 5/1899 | Fredericks | | D6/495 |
| D. 314,299 | 2/1991 | Diffrient | | D6/495 |
| D. 320,320 | 10/1991 | Ditshuizen | | D6/422 |
| D. 330,302 | 10/1992 | Heidmann | | D6/495 |
| D. 334,103 | 3/1993 | Koguma | | D6/484 |
| D. 337,675 | 7/1993 | Koguma | | D6/484 |
| D. 371,703 | 7/1996 | Muller-Deisig et al. | | D6/484 |
| D. 379,127 | 5/1997 | Schacht | | D6/495 |
| 4,711,184 | 12/1987 | Wallin et al. | | 108/144 |
| 5,394,809 | 3/1995 | Feldpausch et al. | | |
| 5,427,035 | 6/1995 | Grahl | | 108/144 |

OTHER PUBLICATIONS

Steelcase Ellipse Desk System, brochure No. S-507 (14 pages).

The art of working brings you . . . unlimited possibilities brochure, pp. 21-30 (11 pages).

Haworth Office Desking System, Furniture that Works brochure (4 pages).

The Teknion Office System, Teknion Two Panel System and Desk System brochure (8 pages).

Herman Miller, Newhouse Group Furniture, brochure No. Q.MS6806-2 (12 pages).

Primary Examiner—Janice E. Seeger
Attorney, Agent, or Firm—Flynn, Thiel, Boutell & Tanis, P.C.

[57] CLAIM

The ornamental design of a table legs with insert, as shown and described.

DESCRIPTION

FIG. 1 is a perspective view of a table legs with insert embodying my design;

FIG. 2 is a front elevational view thereof, the rear elevational view being substantially identical thereto;

FIG. 3 is a left side elevational view thereof, the right side elevational view being substantially identical thereto;

FIG. 4 is a plan view taken generally along line 4-4 in FIG. 2;

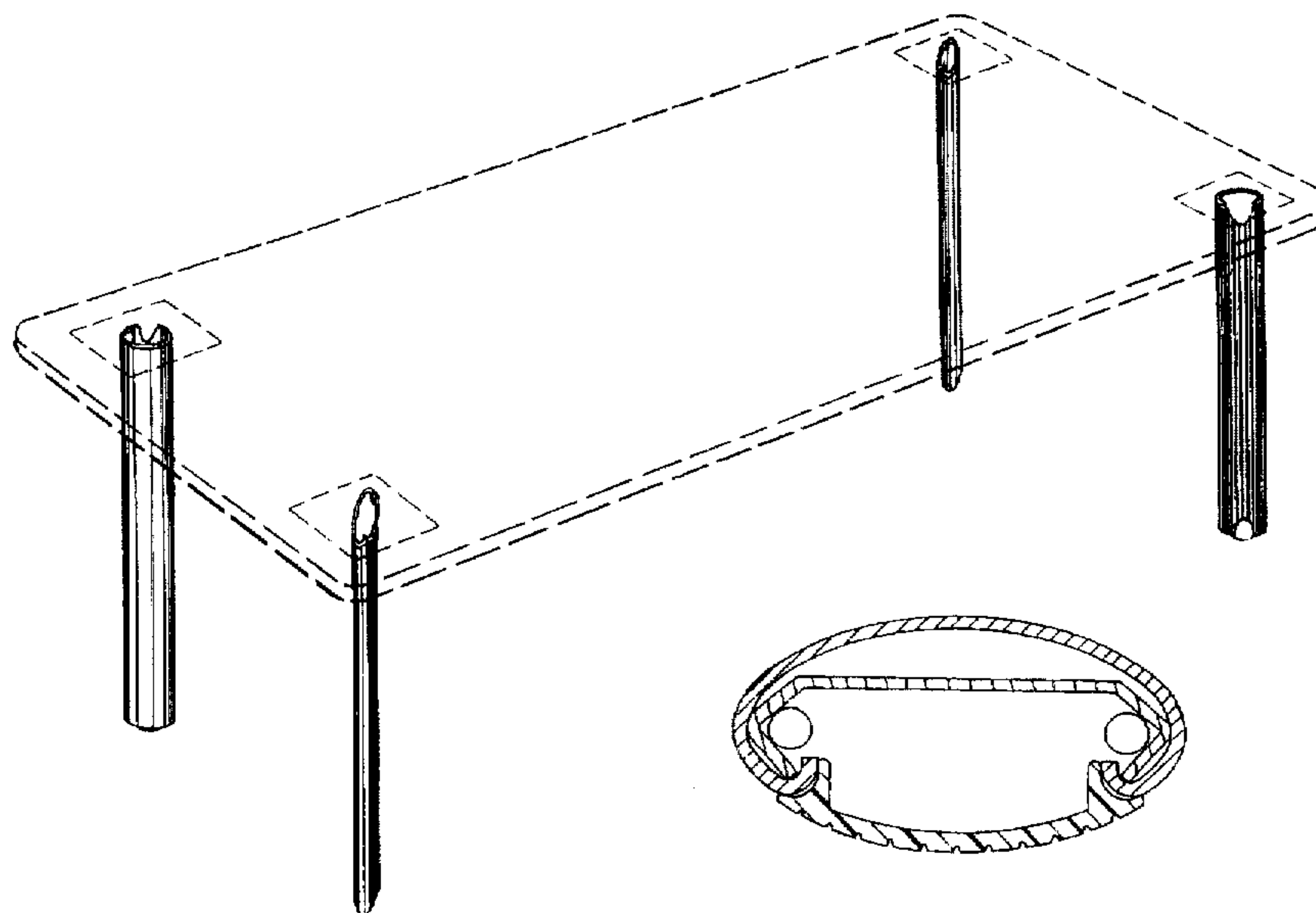
FIG. 5 is an enlarged side elevational view along line 5-5 in FIG. 4;

FIG. 6 is an enlarged side elevational view along line 6-6 in FIG. 4; and,

FIG. 7 is an enlarged sectional view along line 7-7 in FIG. 6.

The broken line showing of the table top in FIGS. 1-6 is for environmental purposes only.

1 Claim, 5 Drawing Sheets



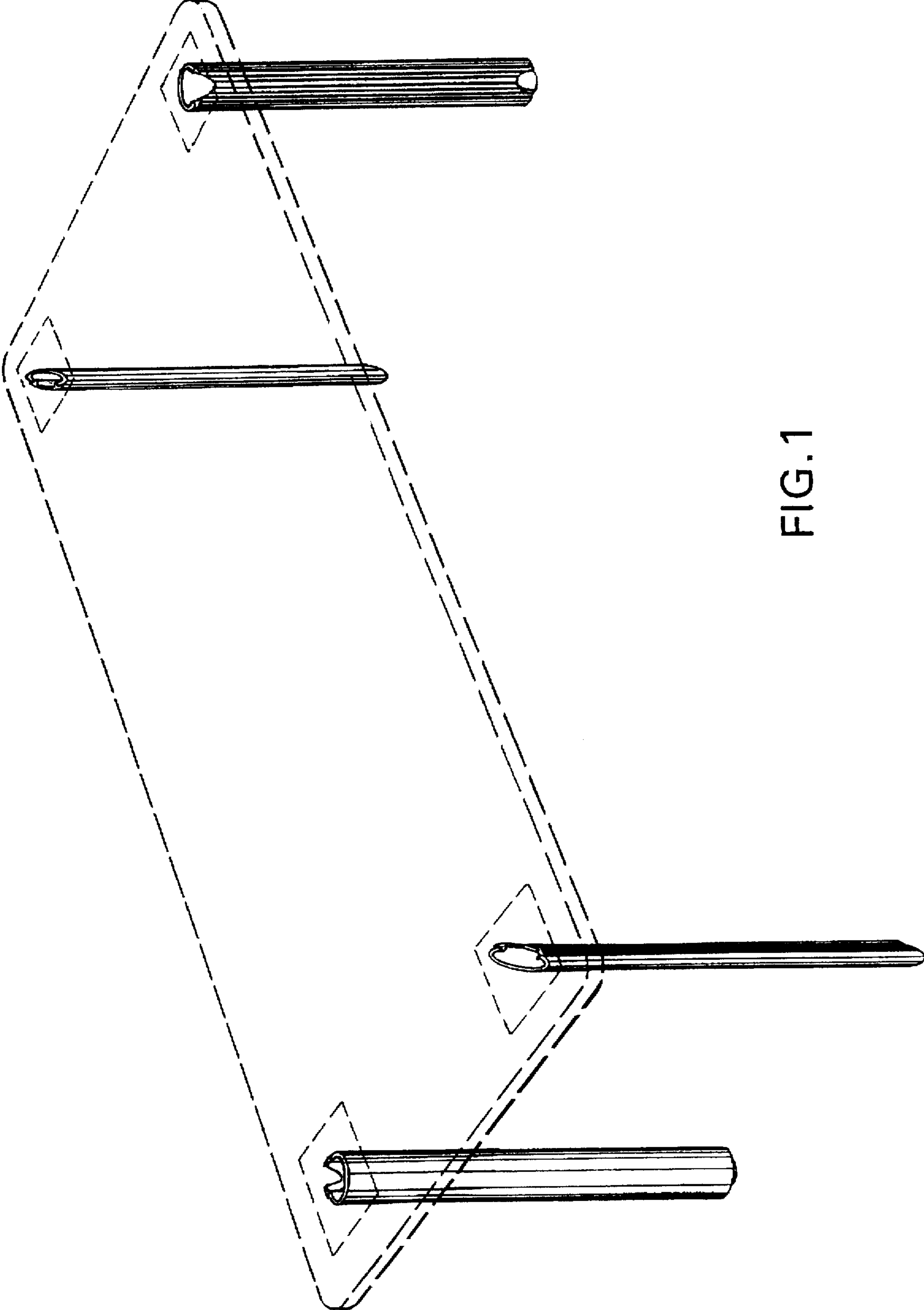


FIG.1

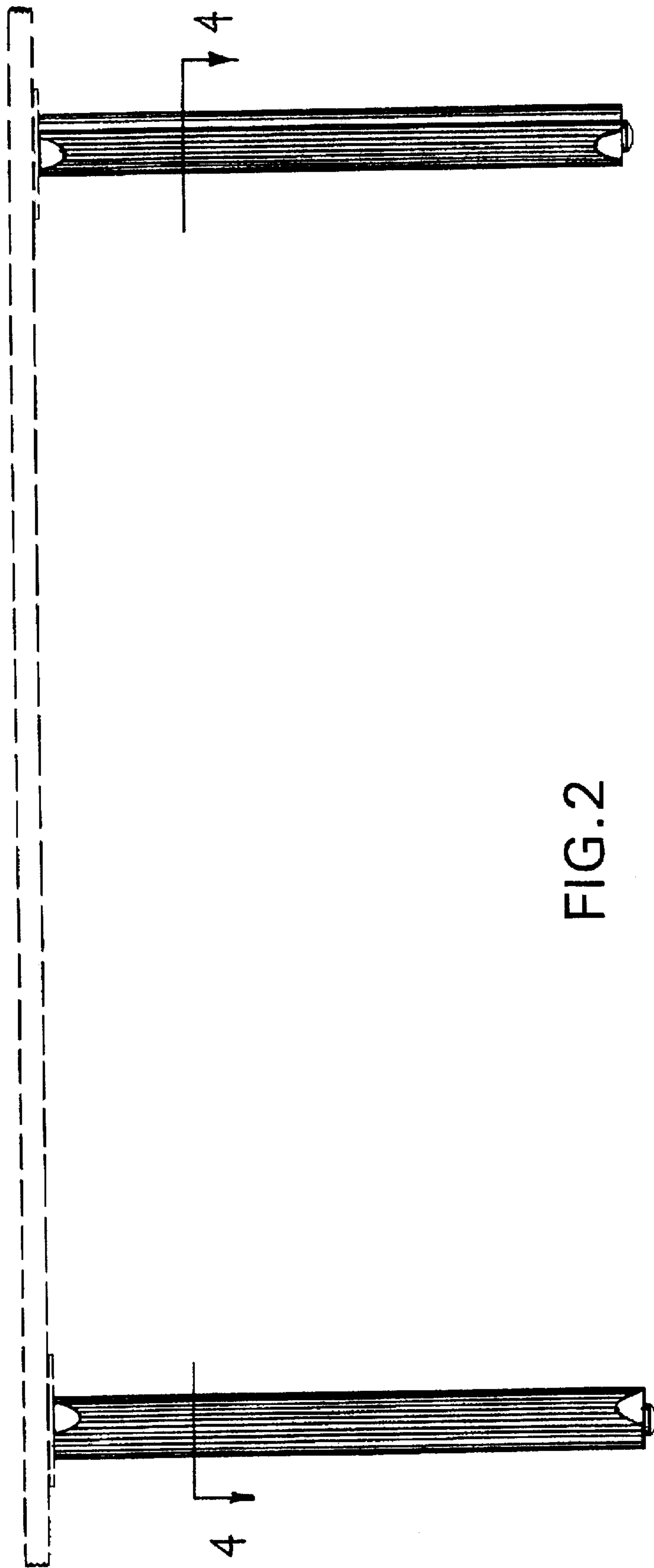


FIG. 2

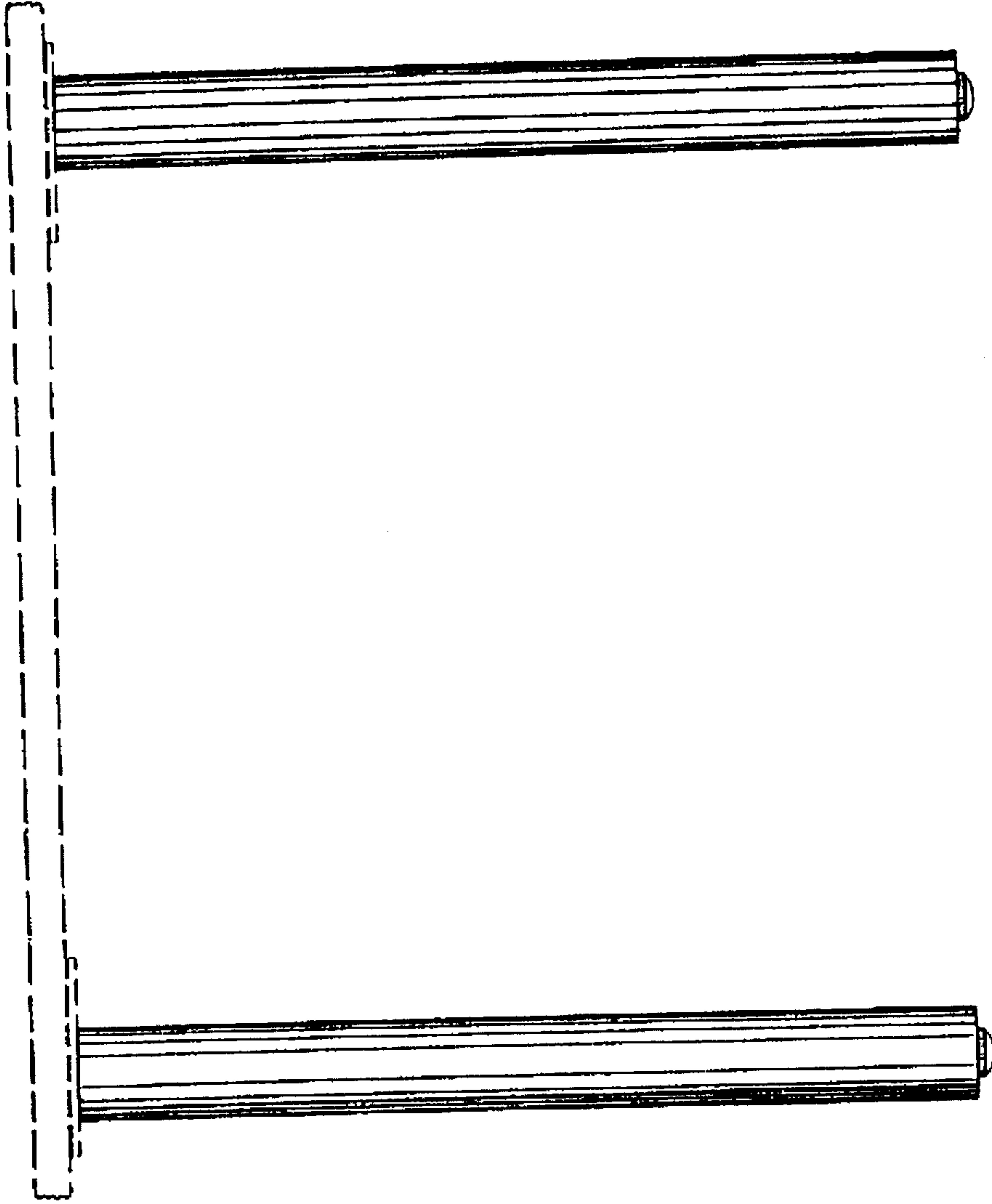


FIG. 3

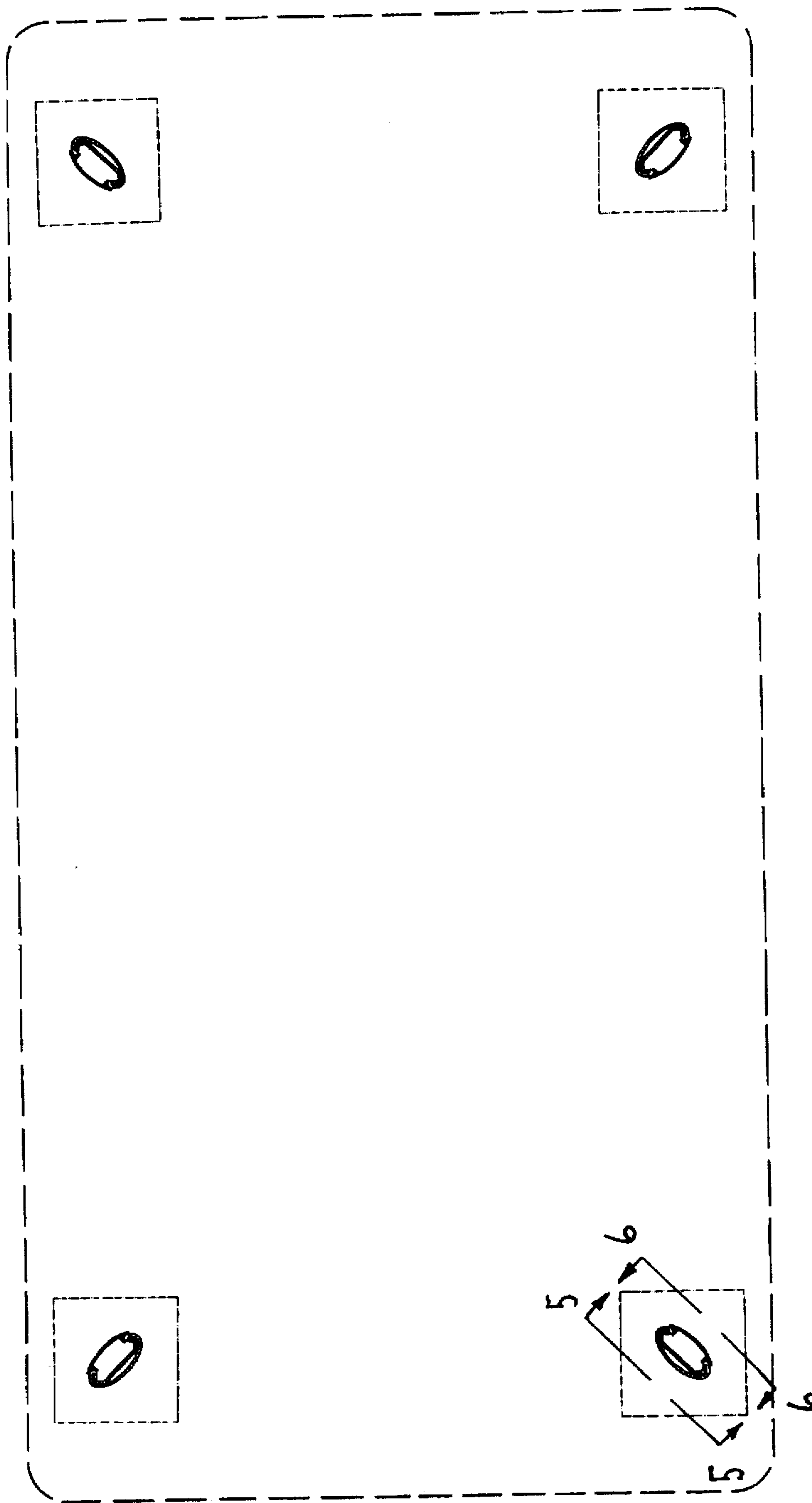


FIG. 4

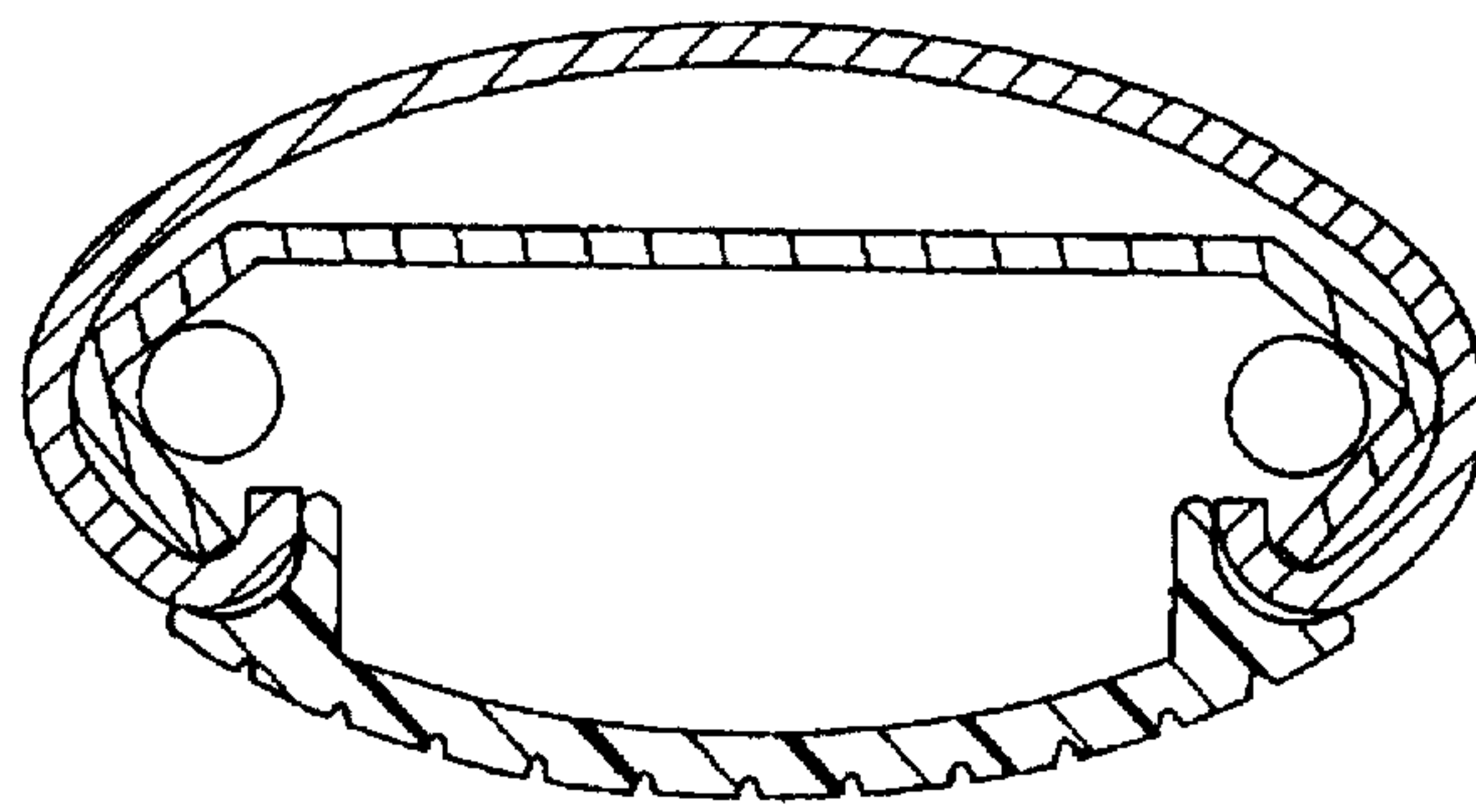


FIG. 7

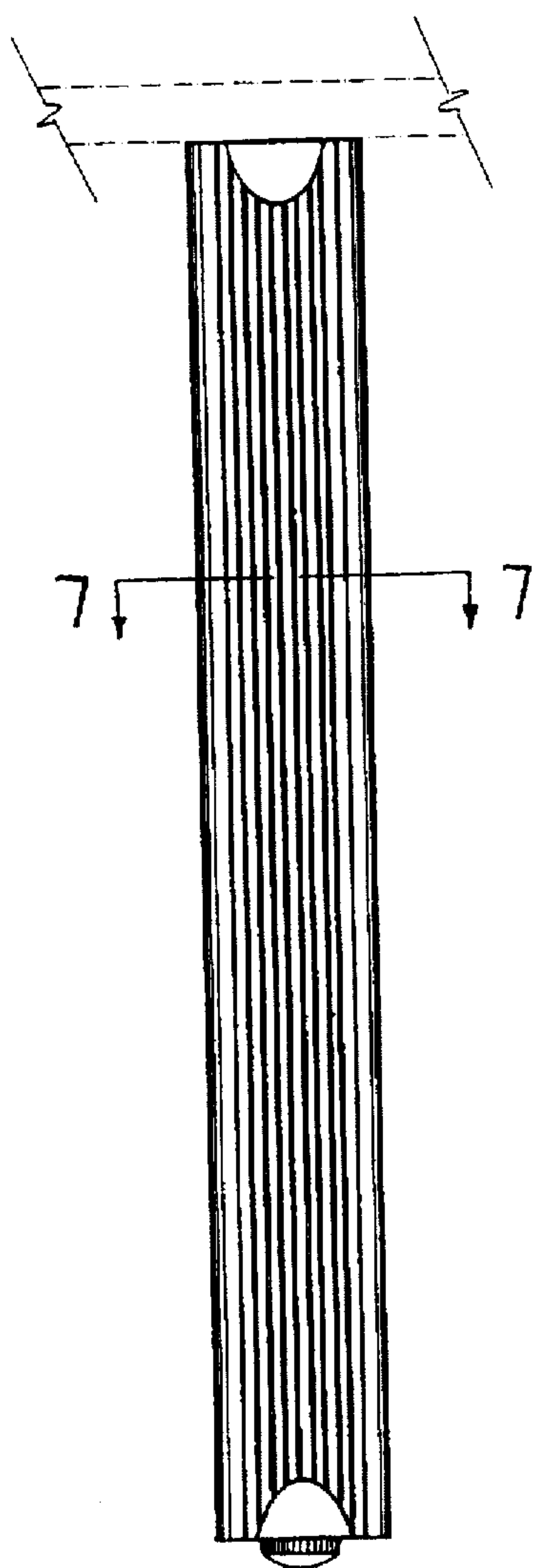


FIG. 6

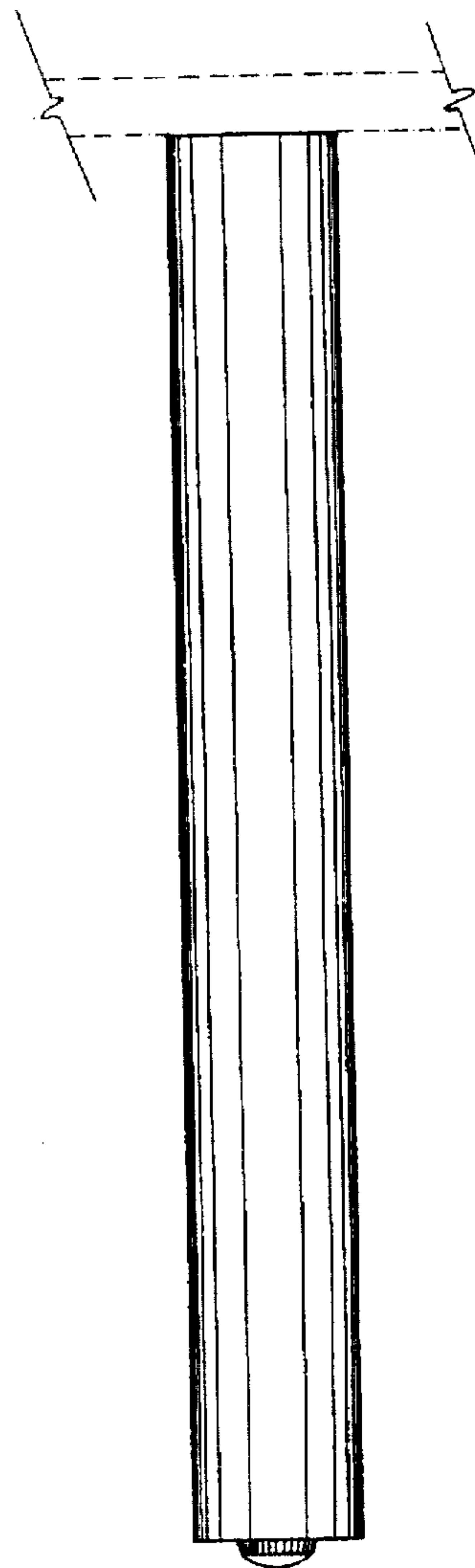


FIG. 5